



US00D862987S

(12) **United States Design Patent**  
**Bergin**

(10) **Patent No.:** **US D862,987 S**

(45) **Date of Patent:** **\*\* Oct. 15, 2019**

(54) **CONCESSION TRAY**

(71) Applicant: **Caddy Products, Inc.**, Palm Desert, CA (US)

(72) Inventor: **Peter W. A. Bergin**, Rancho Mirage, CA (US)

(73) Assignee: **Caddy Products, Inc.**, Palm Desert, CA (US)

(\*\*) Term: **15 Years**

(21) Appl. No.: **29/567,133**

(22) Filed: **Jun. 6, 2016**

(51) **LOC (12) Cl.** ..... **07-99**

(52) **U.S. Cl.**  
USPC ..... **D7/553.4**

(58) **Field of Classification Search**  
USPC ..... D3/20, 200, 201, 272, 273, 304,  
D3/309-315, 318, 319, 901, 903, 904;  
(Continued)

(56) **References Cited**

**U.S. PATENT DOCUMENTS**

D206,390 S \* 12/1966 Jaskulek ..... D6/406.5  
D206,414 S \* 12/1966 Sundberg ..... D19/103  
(Continued)

**FOREIGN PATENT DOCUMENTS**

CN 201349923 Y 11/2009  
CN 201431278 Y 3/2010  
(Continued)

**OTHER PUBLICATIONS**

Concession Tables: Site Visited Dec. 27, 2017 [online]. Available from Internet URL: <http://www.caddyproducts.com/theatre.php>.\*

(Continued)

*Primary Examiner* — Jennifer Rivard

*Assistant Examiner* — Catherine S Posthauer

(74) *Attorney, Agent, or Firm* — Westman, Champlin & Koehler, P.A.; Z. Peter Sawicki; Amanda M. Prose

(57) **CLAIM**

The ornamental design for a concession tray, as shown and described.

**DESCRIPTION**

FIG. 1 is a top view of a concession tray, showing my new design, shown independent of the connector and cover features for clarity of details;

FIG. 2 is a side view thereof;

FIG. 3 is a front view thereof;

FIG. 4 is a back view thereof;

FIG. 5 is a bottom view thereof;

FIG. 6 is a side view of the connector feature for the concession tray, shown independently for clarity of details;

FIG. 7 is a top view thereof;

FIG. 8 is a bottom view thereof;

FIG. 9 is a top view of the concession tray, in use with the connector;

FIG. 10 is a side view thereof;

FIG. 11 is a front view thereof;

FIG. 12 is a back view thereof;

FIG. 13 is an exploded perspective view of the concession tray and the connector;

FIG. 14 is a top view of the cover for the concession tray, shown independently for clarity of details;

FIG. 15 is a bottom view thereof;

FIG. 16 is a right side view thereof;

FIG. 17 is a left side view thereof;

FIG. 18 is a front view thereof;

FIG. 19 is a back view thereof;

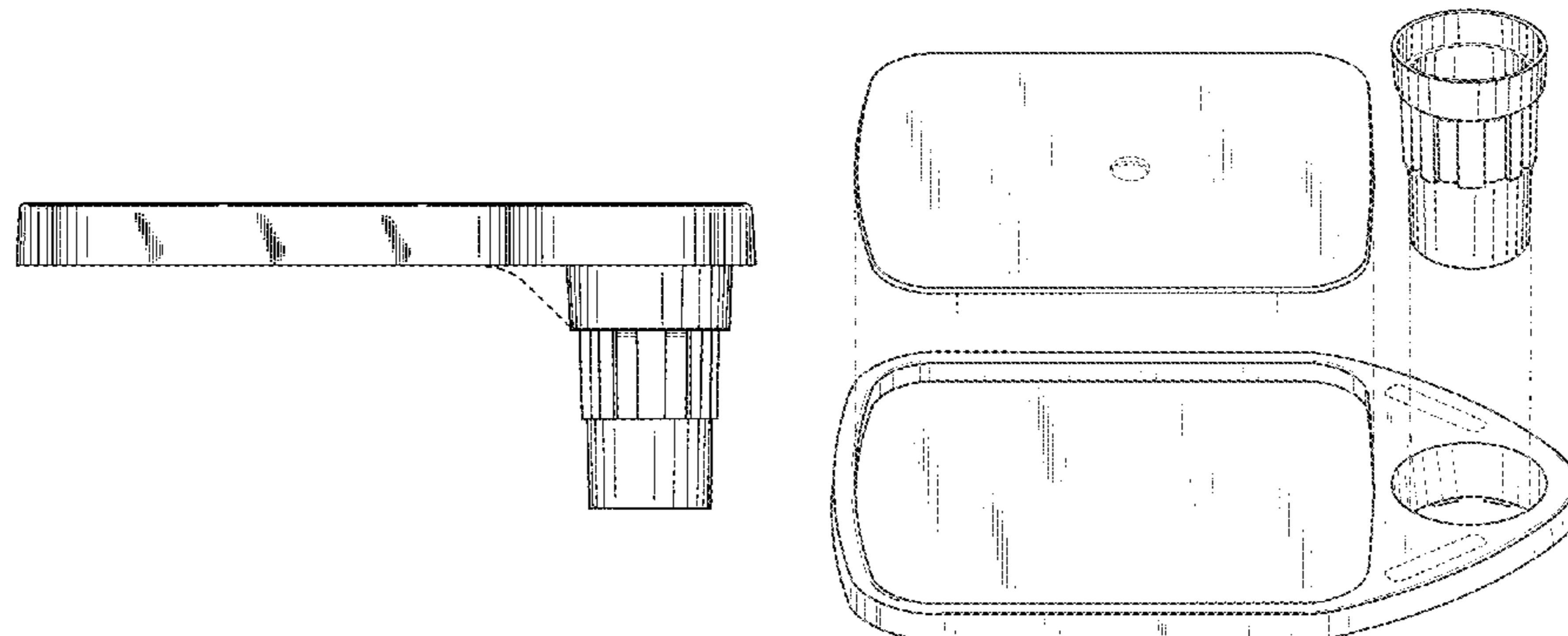
FIG. 20 is a side view of the concession tray, in use with the connector and the cover; and,

FIG. 21 is an exploded perspective view of the concession tray, the cover, and the connector.

The left and right sides of the concession tray are mirror images.

All side views of the connector are the same due to its cylindrical shape.

(Continued)



The left and right sides of the concession tray and connector assembly are mirror images.

The left and right sides of the concession tray, connector and cover assembly are mirror images.

The evenly broken lines are shown for the purpose of illustrating parts of the article that form no part of the claim.

The dot-dash lines are shown for the purpose of illustrating the relationship between the various components of the claimed design and form no part thereof.

**1 Claim, 10 Drawing Sheets**

**(58) Field of Classification Search**

USPC ..... D6/515-525, 532, 536, 672, 677, 683, D6/704, 707.15; D7/323, 339, 347, 354, D7/355, 356, 359, 360, 362, 392.1, 396.1, D7/412, 500, 505, 549, 550.1, 552.1, D7/552.2, 553.1, 553.4, 553.5, 553.6, D7/553.7, 554.1, 600.1, 601, 602, 614, D7/615; D9/414, 415, 416, 418, D9/428-430, 500, 630, 682, 686, 688, D9/690, 692, 703, 737, 738, 740, 741, D9/744, 755-762, 904; D12/163, 197, D12/415, 425; D19/1, 27, 78, 102, 103, D19/106, 107; D21/502, 524, 525, 532, D21/832; D24/127, 128, 216, 224, 227, D24/228, 229, 230; D28/61, 73, 76; D32/55, 58

CPC .... A47C 7/70; A47C 1/12; A47C 7/62; B65D 1/36; B65D 1/243; B65D 25/22; B65D 77/00; B65D 77/20; B65D 77/2024; B65D 77/225; B65D 77/245; B65D 1/00; B65D 1/02; B65D 1/0232; B65D 1/22; B65D 1/32; B65D 1/34; B65D 1/40; B65D 1/225; B65D 2543/00194; B65D 2543/00296; B65D 2543/00629; B65D 2543/0074; B65D 2543/00842; B65D 85/36; B65D 81/025; B65D 81/18; B65D 81/3407; B65D 81/3438; B65D 81/3846; B65D 81/3865; A47G 23/00; A47G 23/06; A47G 23/0225; A47G 21/001; A47G 19/00; A47G 19/02; A45C 11/20; Y10S 224/926; B60N 3/106; A47B 37/60; A23V 2002/00; A47J 45/061; A47J 45/065; A47J 45/071; A47J 45/08; A47J 36/025; A47J 36/06; A47J 36/12; A47J 43/00; A47J 37/00; A47J 37/01; A47J 37/04; A47J 37/06; A47J 37/10; A47J 37/12; A47J 37/101; A47J 37/103; A47J 37/108; A47J 37/1204; A47J 37/0704; A23B 5/00; A23B 5/005; A23B 5/0052; H05B 6/06; H05B 6/12; A23L 5/15; A23L 13/00

See application file for complete search history.

(56)

**References Cited**

U.S. PATENT DOCUMENTS

3,498,470	A	3/1970	Thomas	
D227,851	S *	7/1973	Nowland et al.	294/159
D248,078	S *	6/1978	Warnekros	141/98
4,511,072	A	4/1985	Owens	
D284,824	S *	7/1986	Marshall	D6/406.3
5,118,063	A	6/1992	Young	
D332,552	S *	1/1993	Lynch	D7/505
D338,374	S *	8/1993	Jacobson	D7/507
5,259,528	A *	11/1993	Pace	B65D 1/36 206/502
D345,084	S *	3/1994	Williams	D7/553.8
D349,212	S *	8/1994	Lynch	D7/505
D353,742	S *	12/1994	Lewis	D7/549
D366,187	S *	1/1996	Van Den Kieboom	D7/553.1
D368,627	S	4/1996	McSpadden	
5,720,516	A	2/1998	Young	
5,732,849	A	3/1998	Brooks	
D398,480	S *	9/1998	Panta Chica	D7/553.6
5,865,124	A *	2/1999	Wroe	A47C 7/70 108/157.11
5,971,139	A	10/1999	Bradley	
6,109,580	A *	8/2000	Stern	A47G 23/06 248/311.2
D439,114	S *	3/2001	Dini	D7/553.1
6,264,026	B1 *	7/2001	Bradley	A47G 19/065 206/217
6,732,990	B2	5/2004	Hudson	
D512,157	S *	11/2005	Wu	D10/46
D531,054	S *	10/2006	Sagel	D9/424
7,243,991	B2	7/2007	Ojeda	
D594,281	S *	6/2009	Luft	D7/549
D623,018	S *	9/2010	Reyhan	D7/550.1
D626,788	S *	11/2010	Clark	D7/545
D655,136	S *	3/2012	Goodman	D7/553.6
D718,582	S *	12/2014	Parijogi	D7/698
D770,854	S *	11/2016	Das	D7/549
D801,120	S *	10/2017	Zeien	D7/554.2
2001/0032791	A1	10/2001	Hudson	
2004/0262482	A1 *	12/2004	Lim	A47G 19/06 248/311.2
2005/0199667	A1	9/2005	Cappellino et al.	
2006/0249999	A1 *	11/2006	Bergin	A47C 7/70 297/188.18
2014/0360410	A1 *	12/2014	Robinson	A47B 83/02 108/26
2016/0270542	A1 *	9/2016	Foster	A47C 7/70
2017/0318974	A1 *	11/2017	Bergin	A47C 7/70

FOREIGN PATENT DOCUMENTS

CN	203186179	U	9/2013
DE	202011105488	U1	11/2011

OTHER PUBLICATIONS

Large Snack Tray: Announced Jul. 19, 2011 [online], site visited [Dec. 26, 2017]. Available from Internet URL: [http://www.stargatecinema.com/large-snack-tray.html#link\\_feedback](http://www.stargatecinema.com/large-snack-tray.html#link_feedback).\*

Party Pal Cup, Plate, and Utensil Holder: Site Visited Dec. 26, 2017 [online]. Available from Internet URL: <https://www.kitchencollection.com/the-original-party-pal-cup-plate-utensil-all-in-one-tray-and-holder-blue-tpp20032>.\*

\* cited by examiner

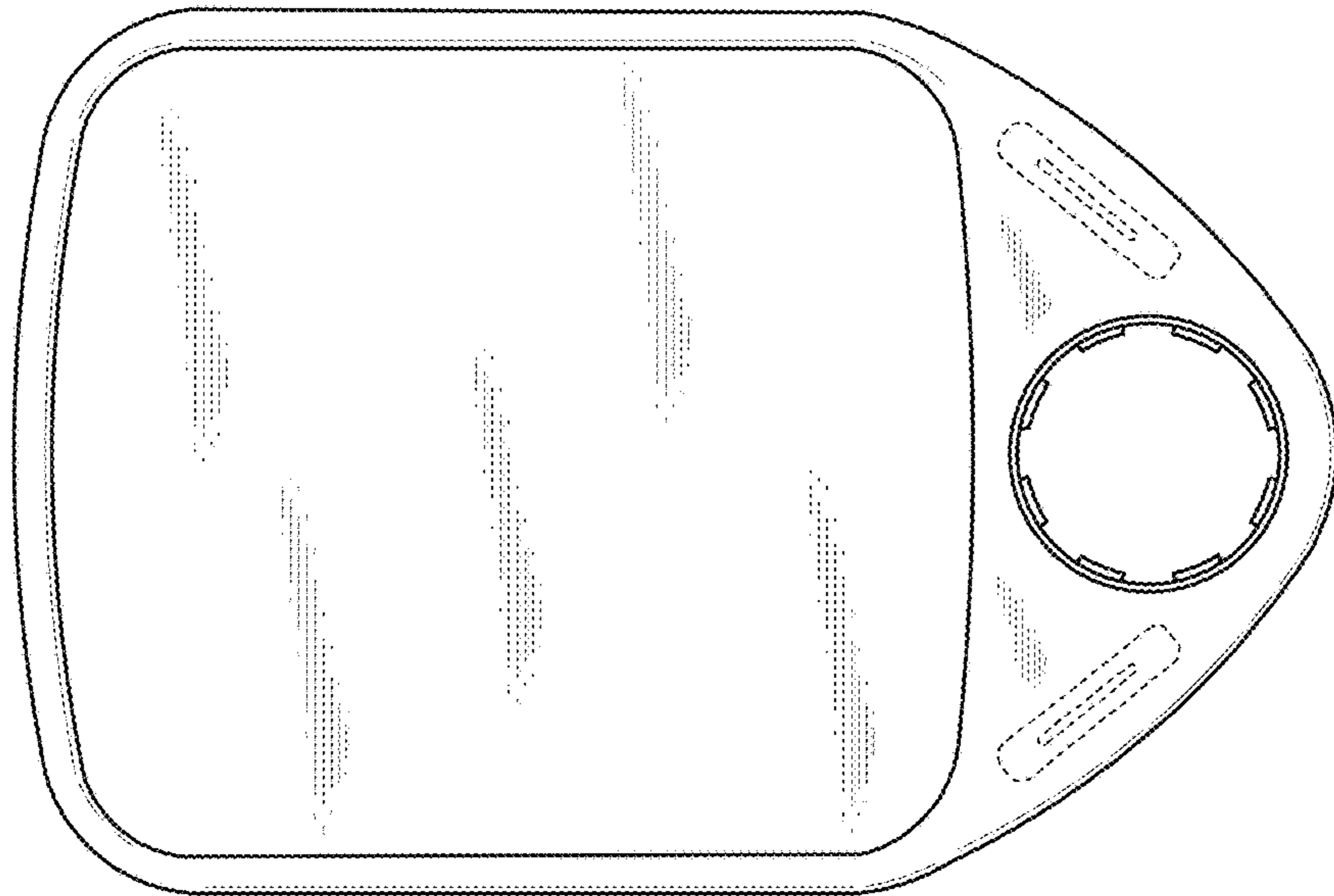


FIG. 1

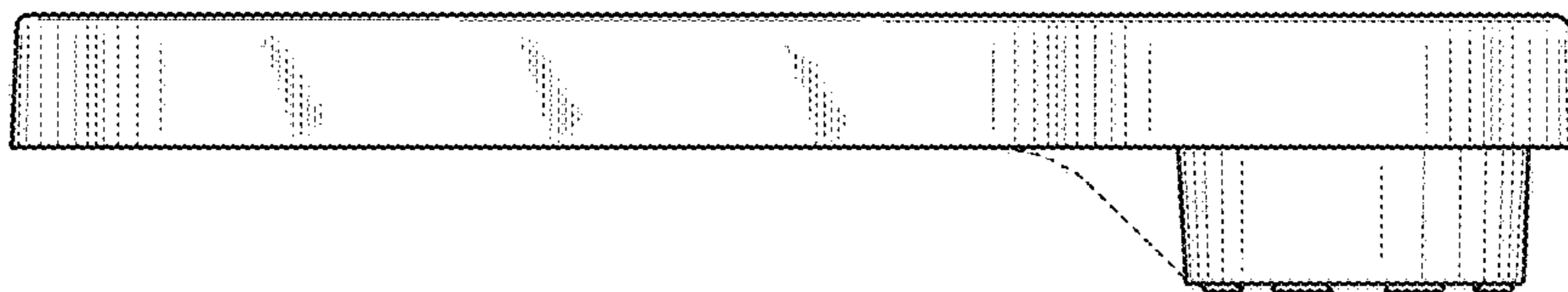
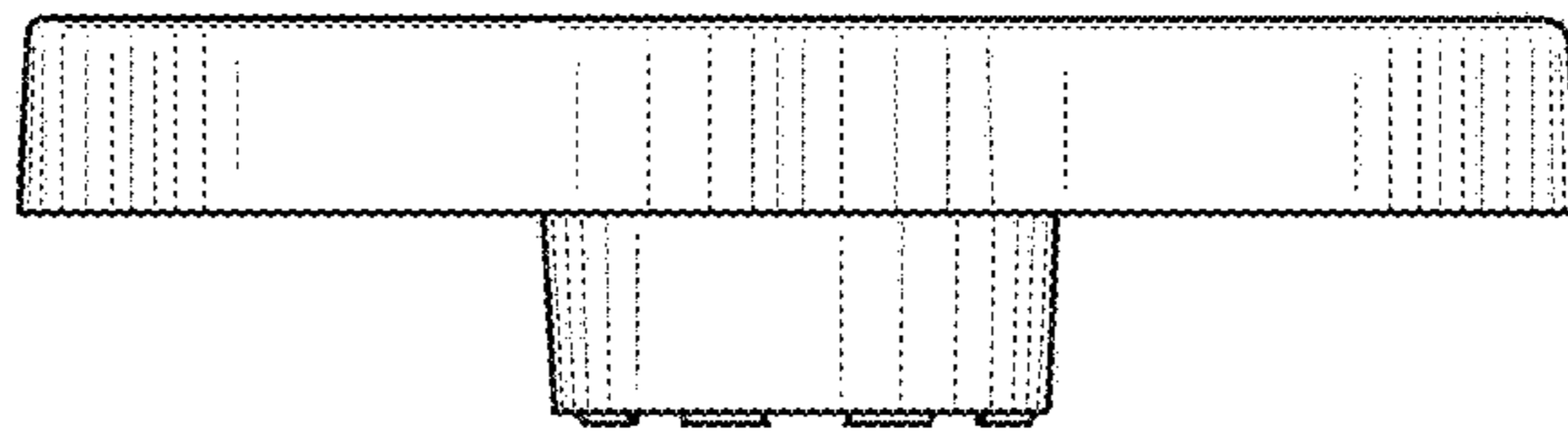
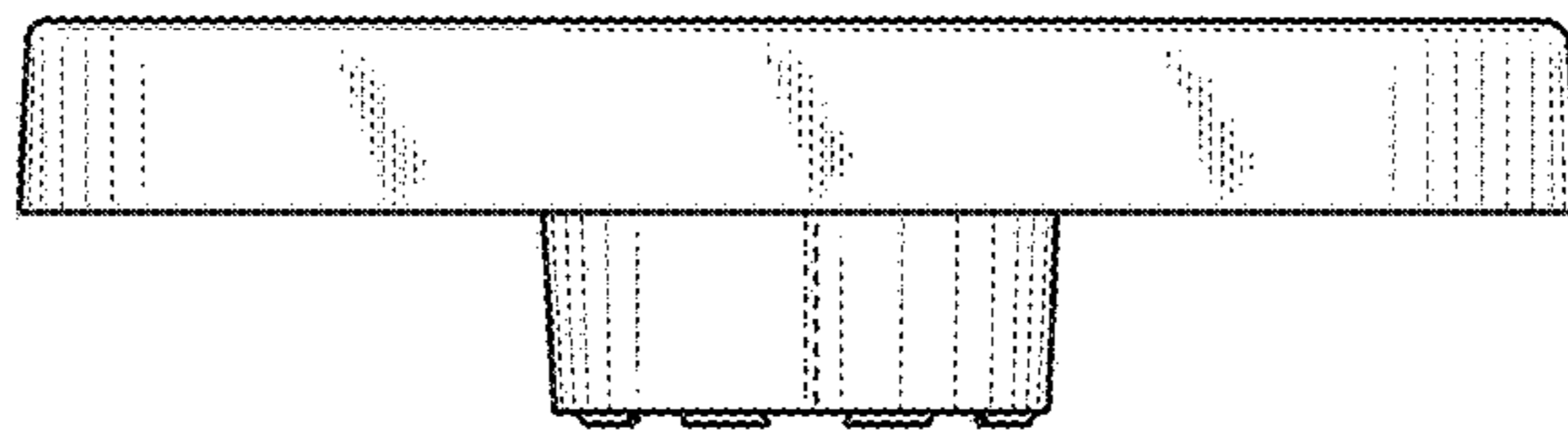


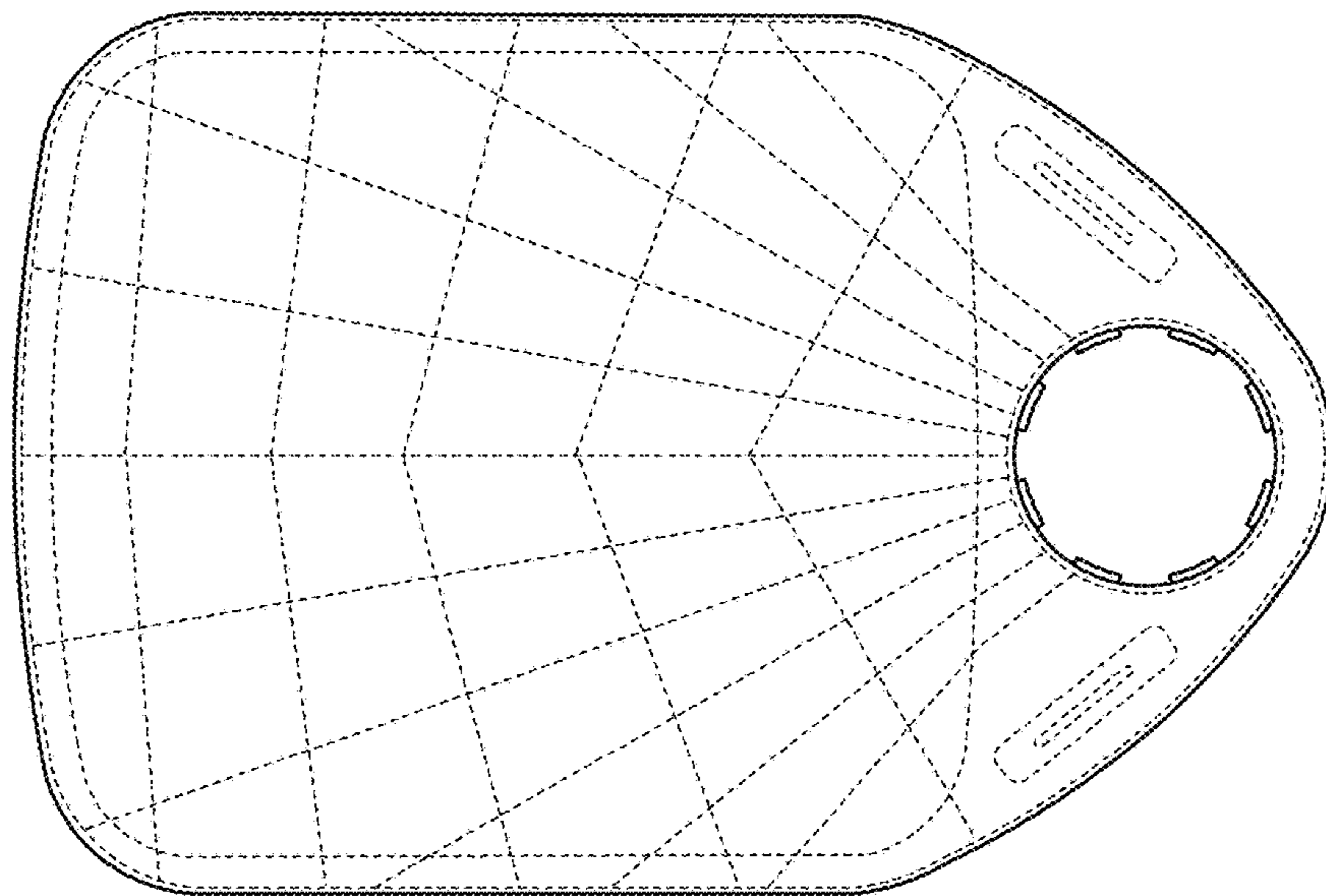
FIG. 2



*FIG. 3*



*FIG. 4*



*FIG. 5*

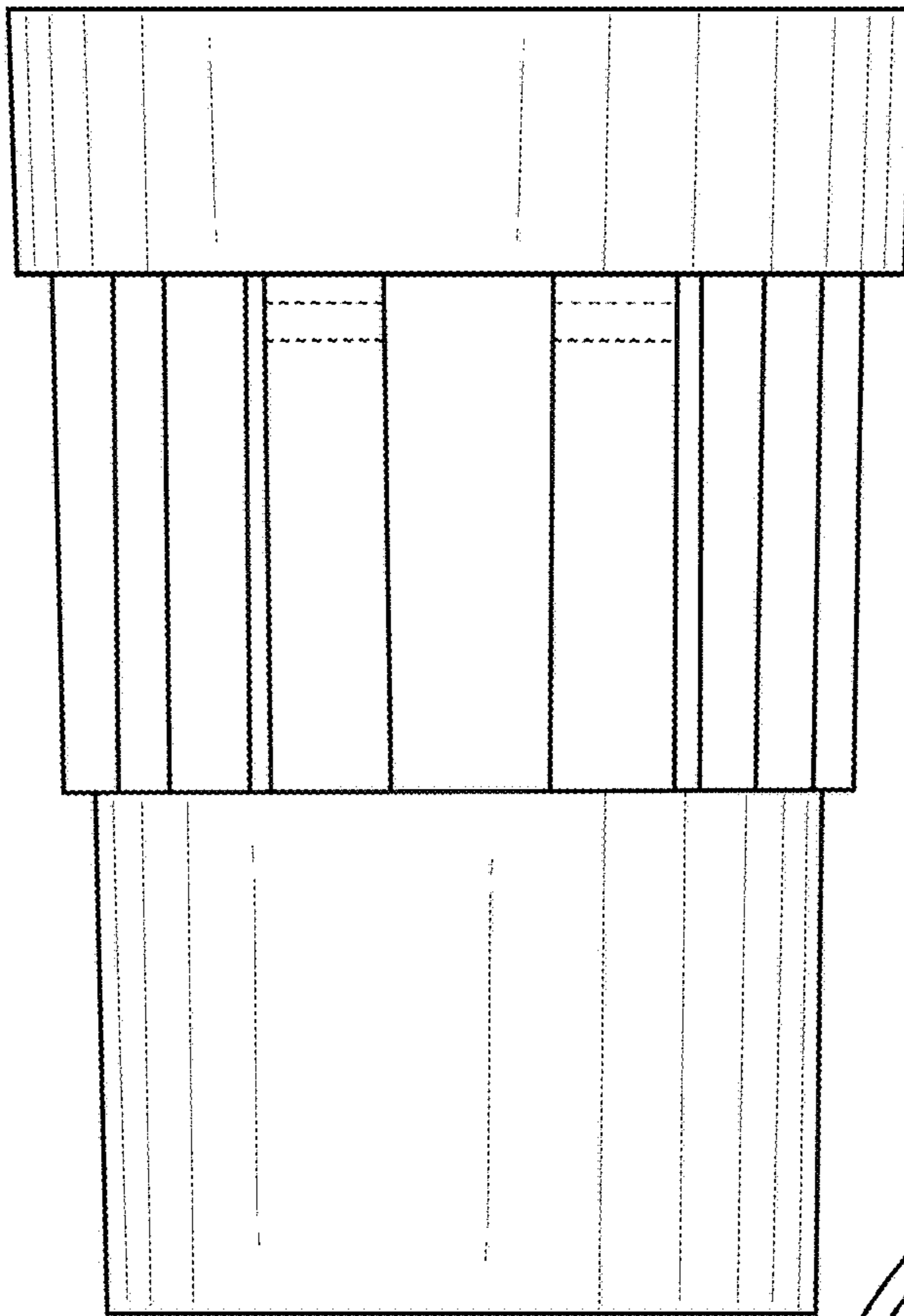


FIG. 6

FIG. 7

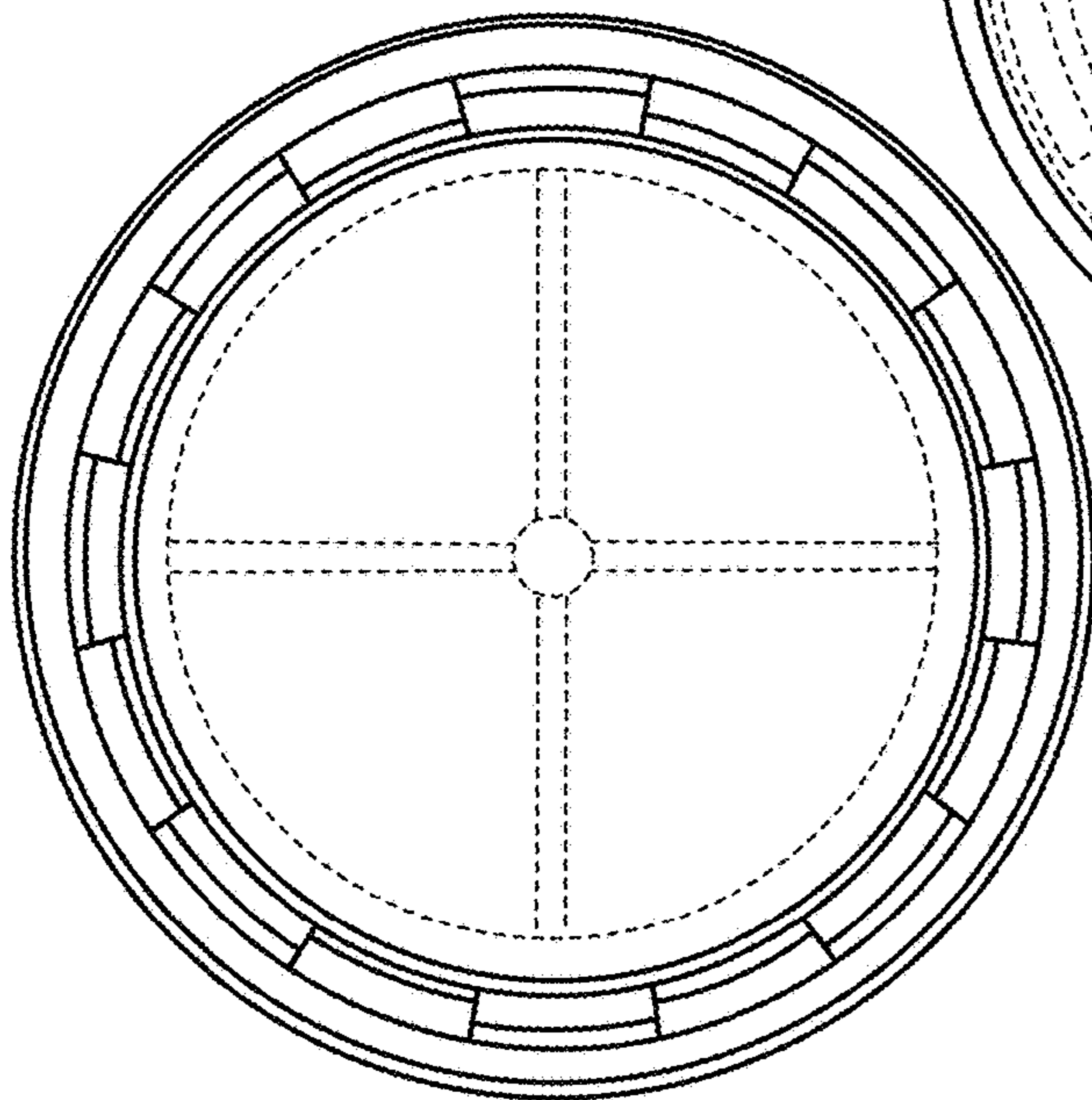
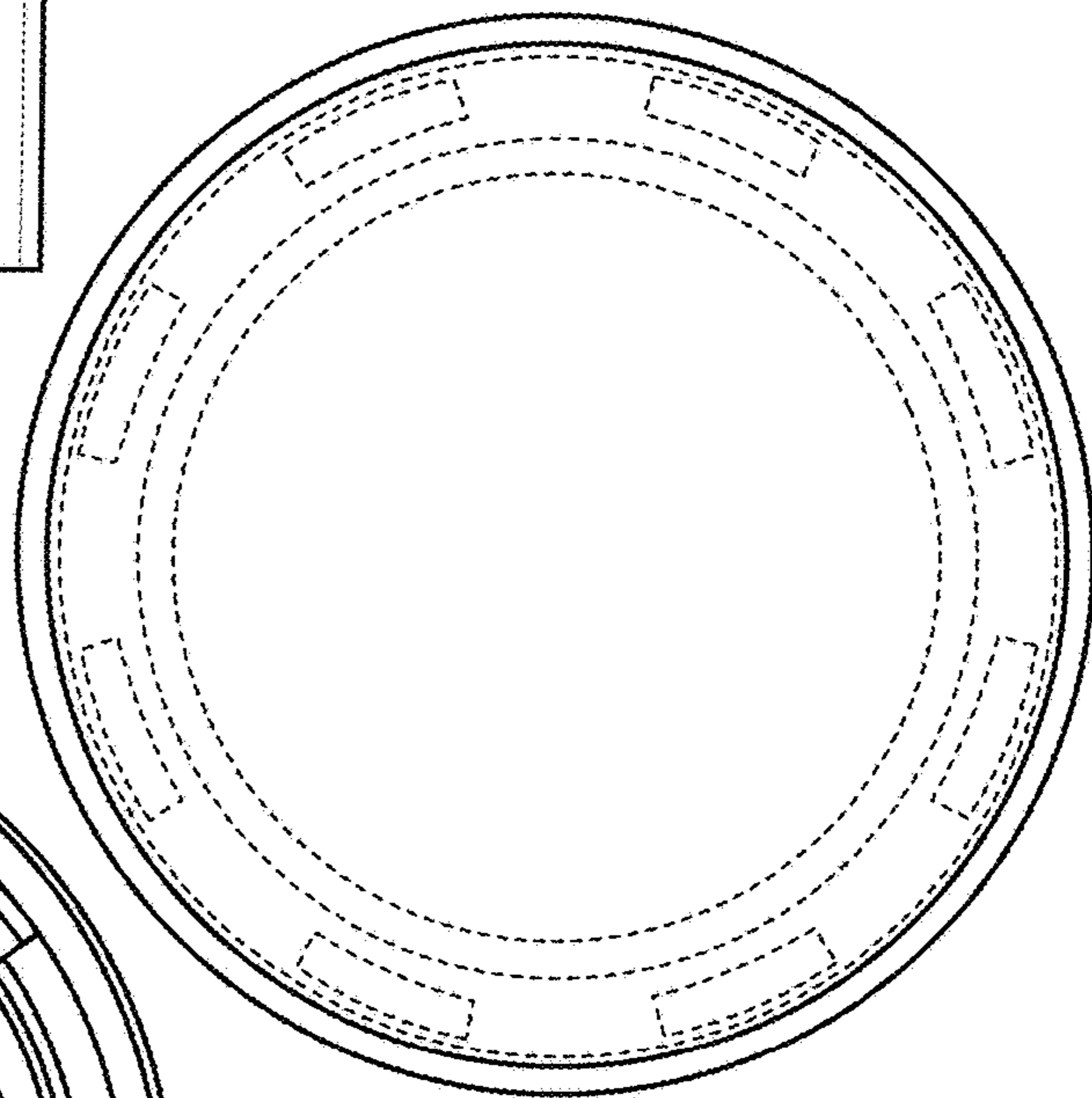


FIG. 8

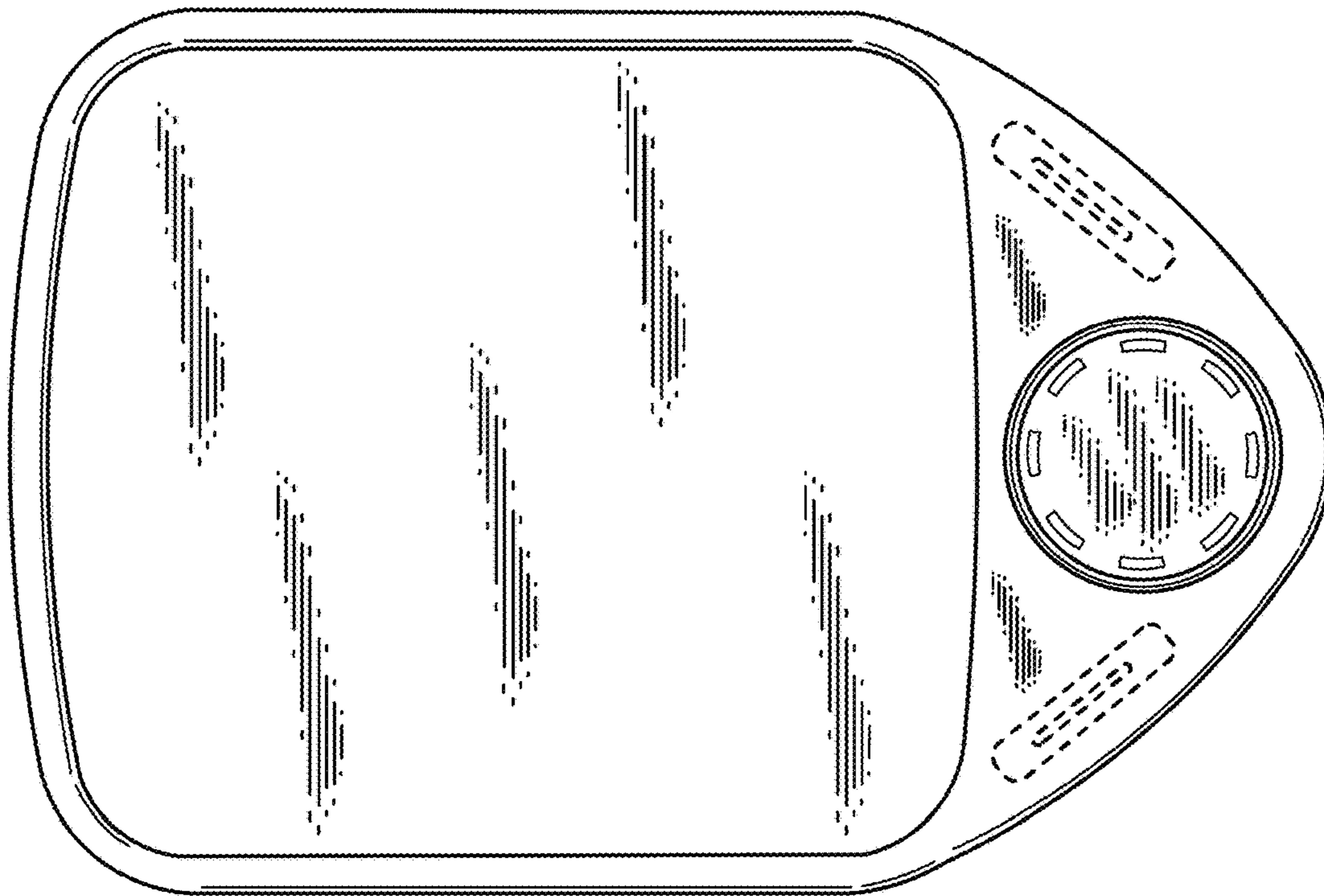


FIG. 9

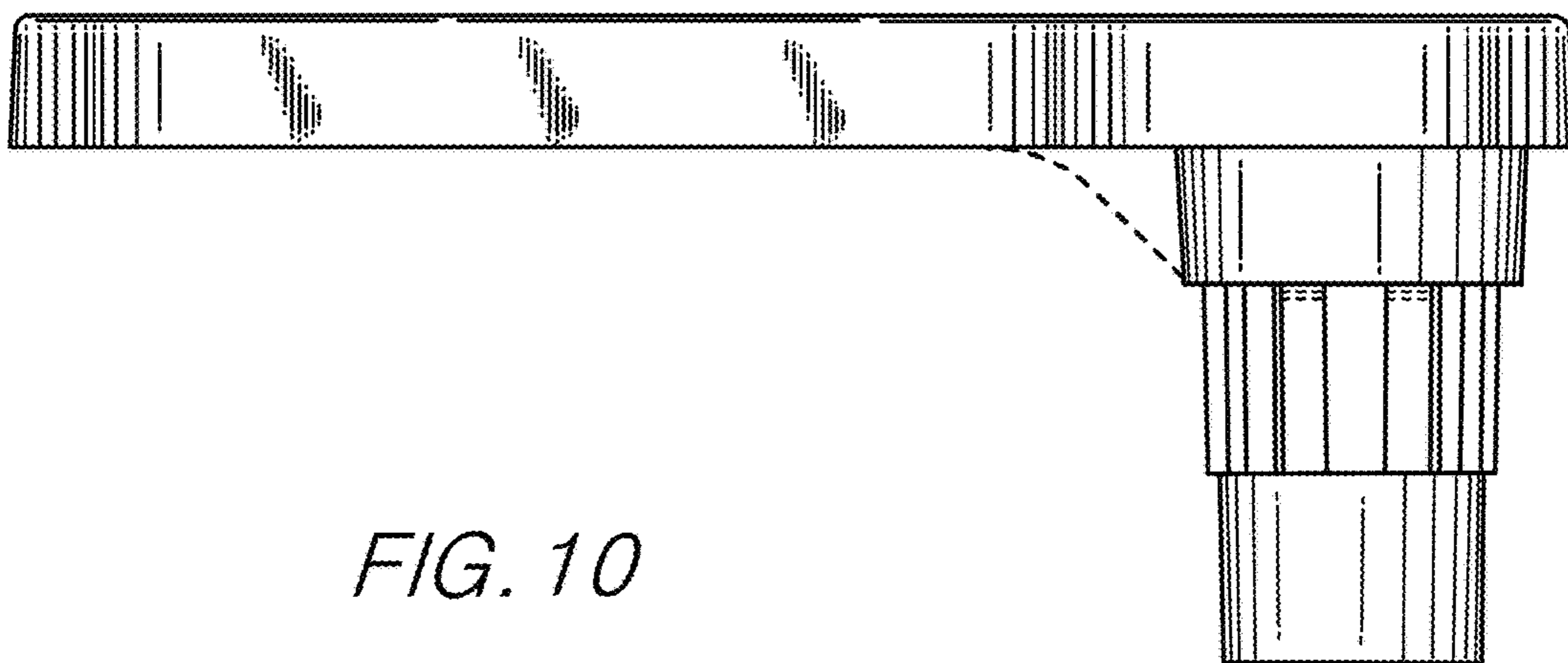
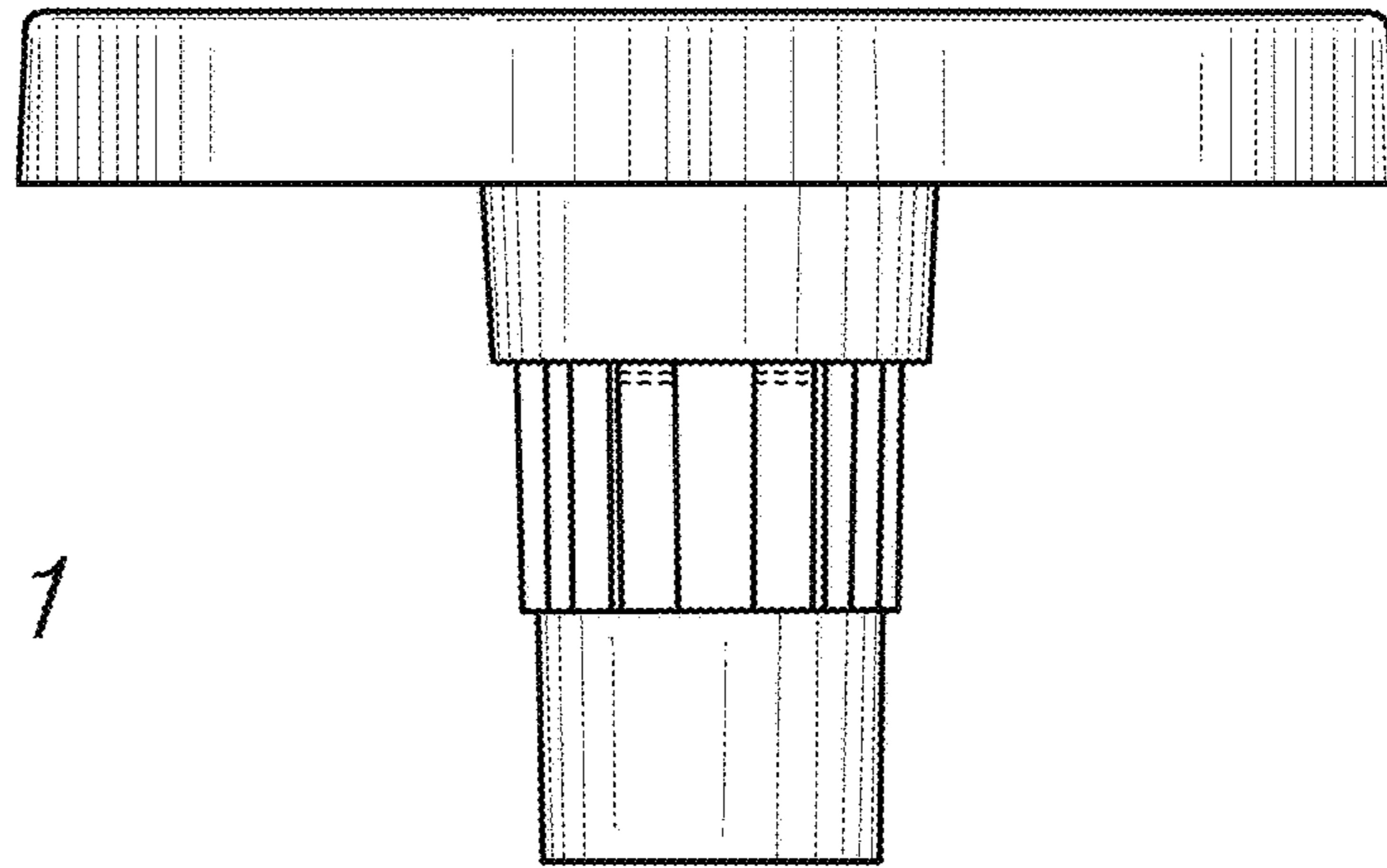
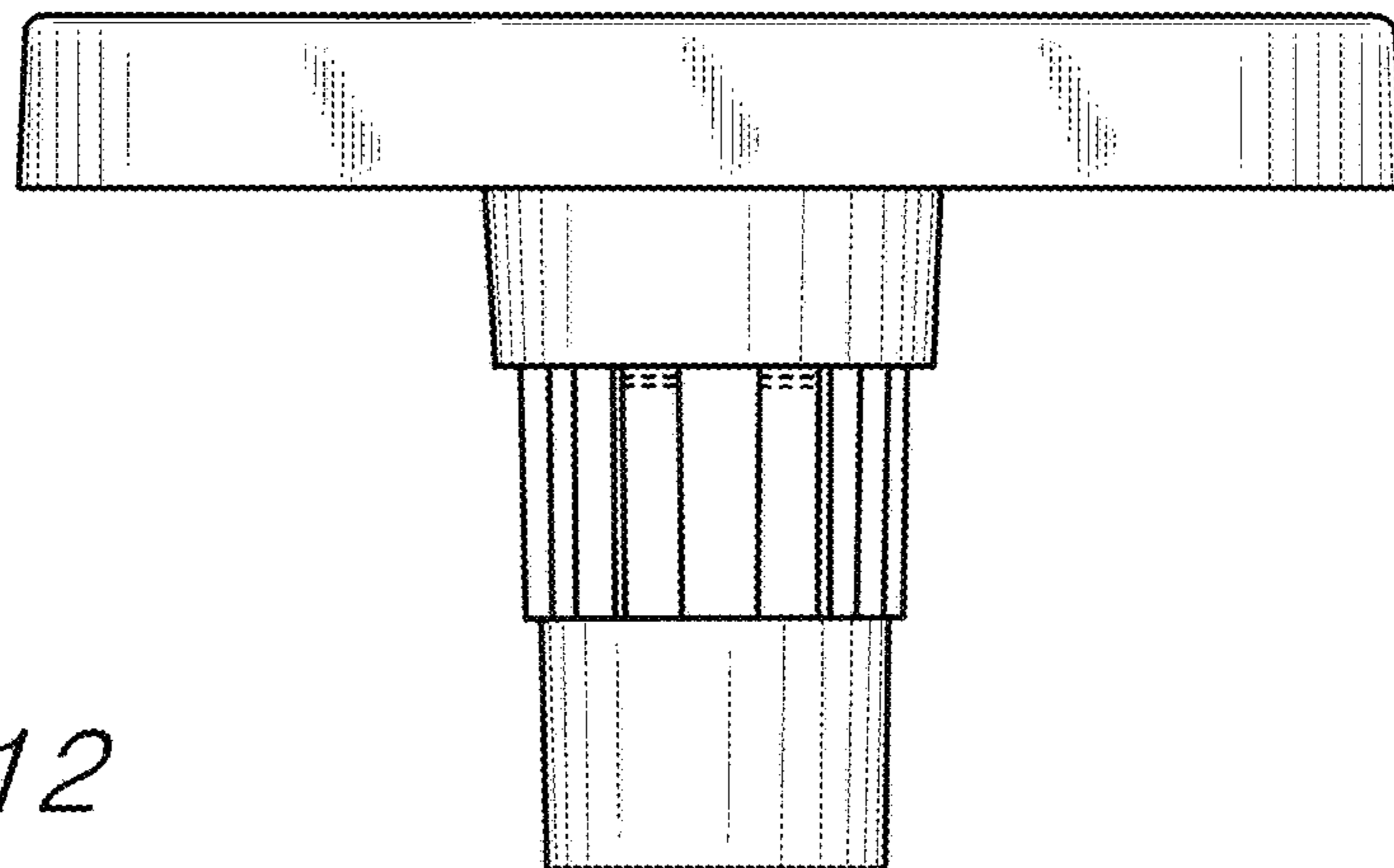


FIG. 10



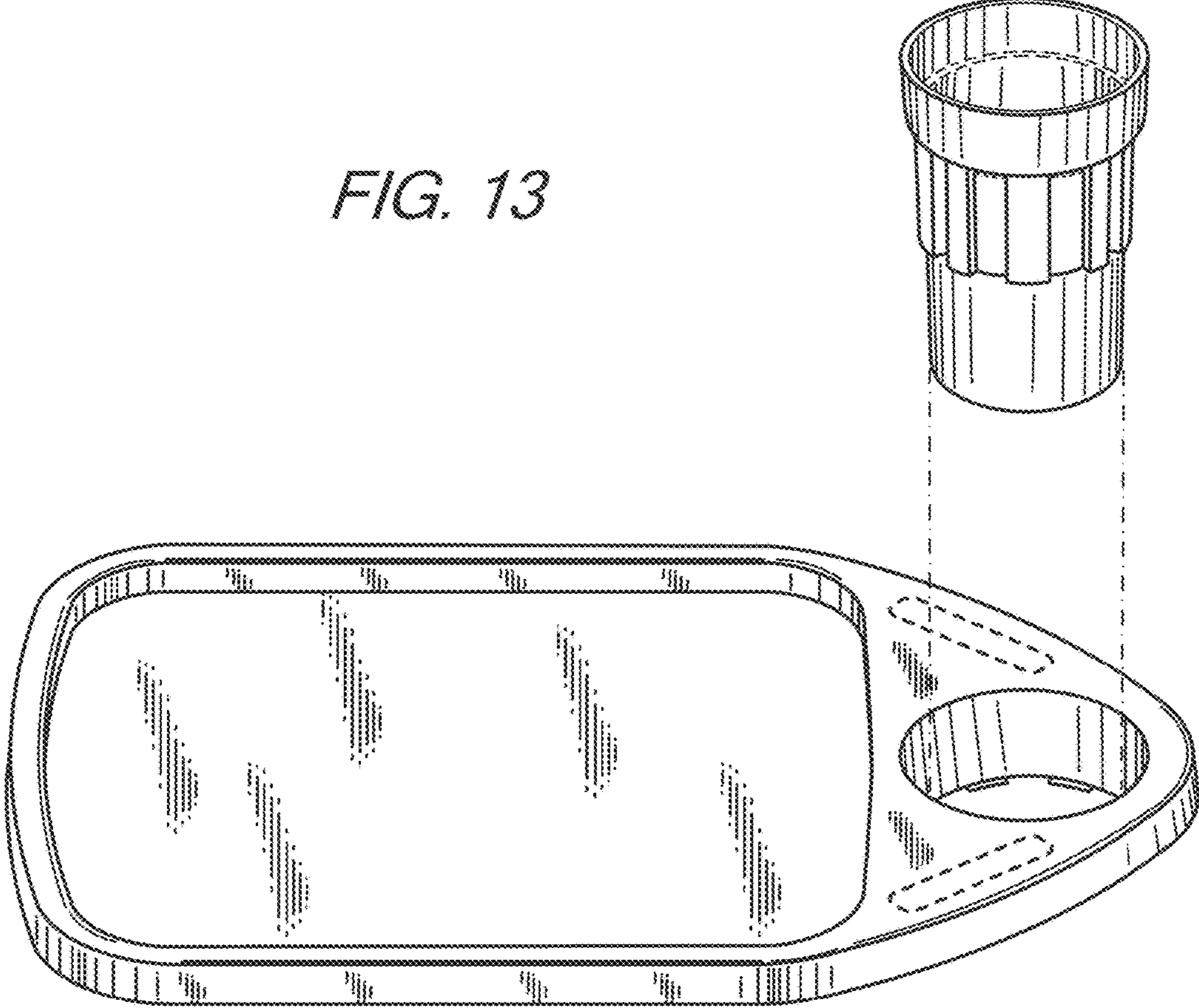
*FIG. 11*



*FIG. 12*



FIG. 13



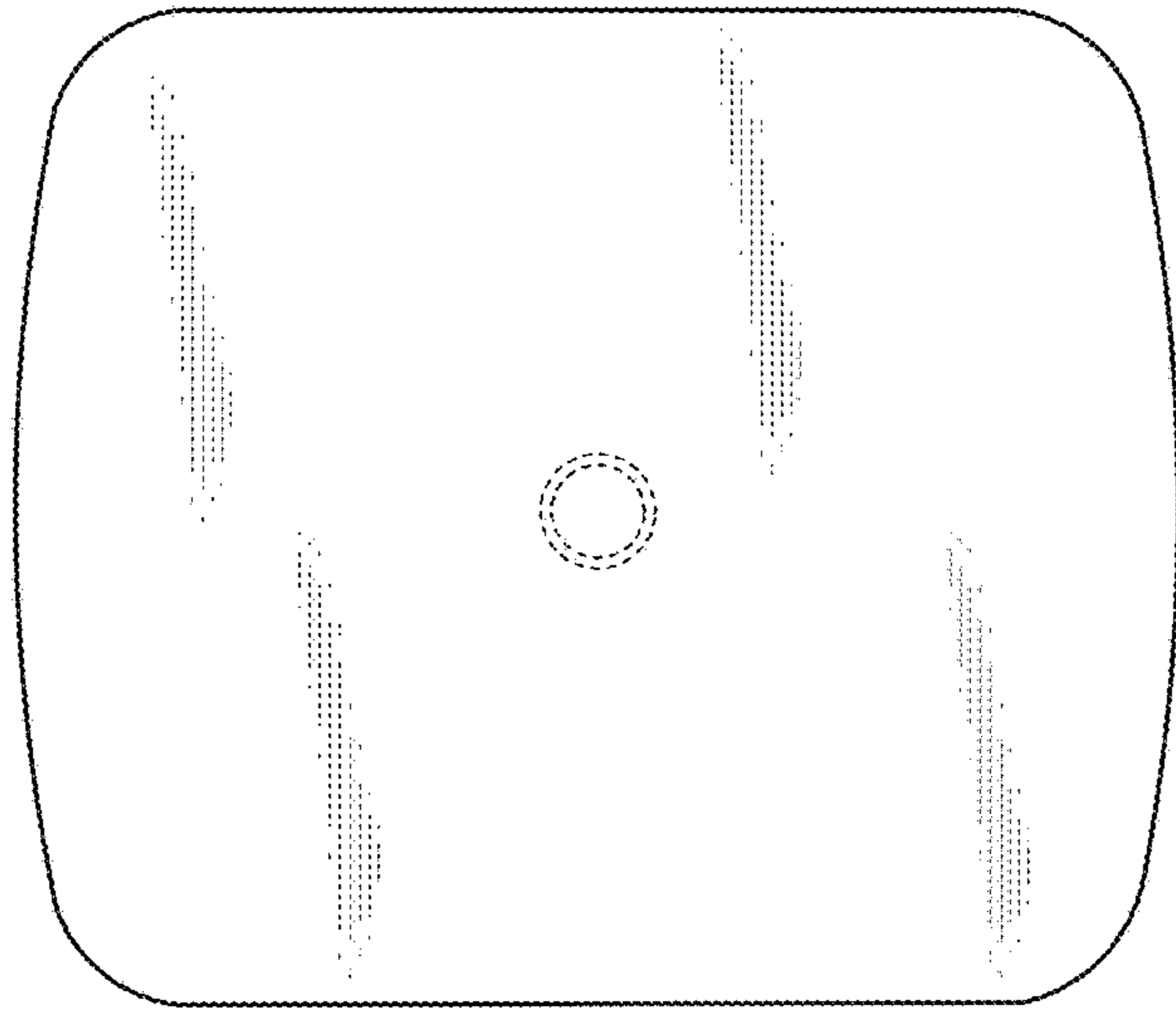


FIG. 14

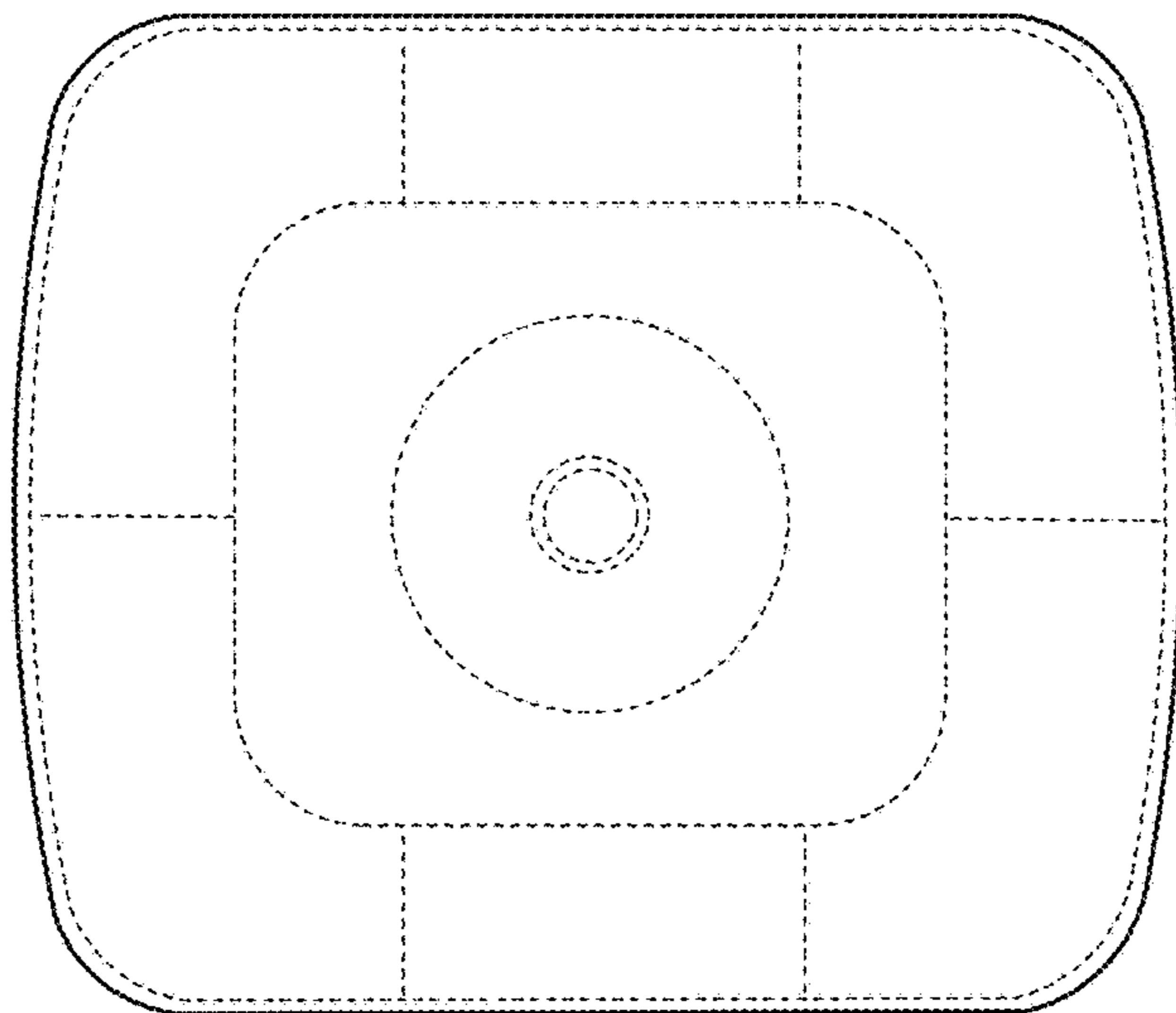
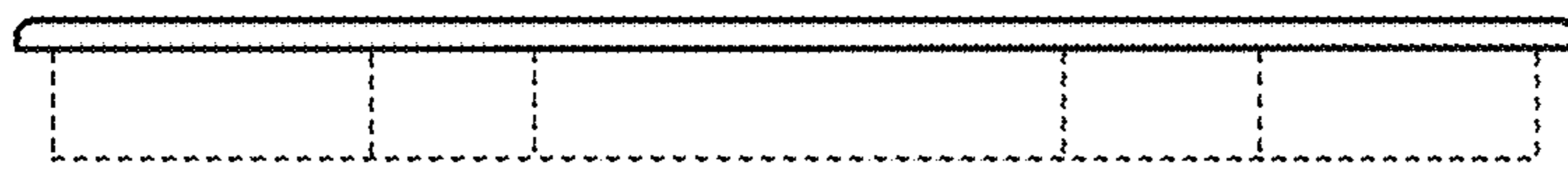


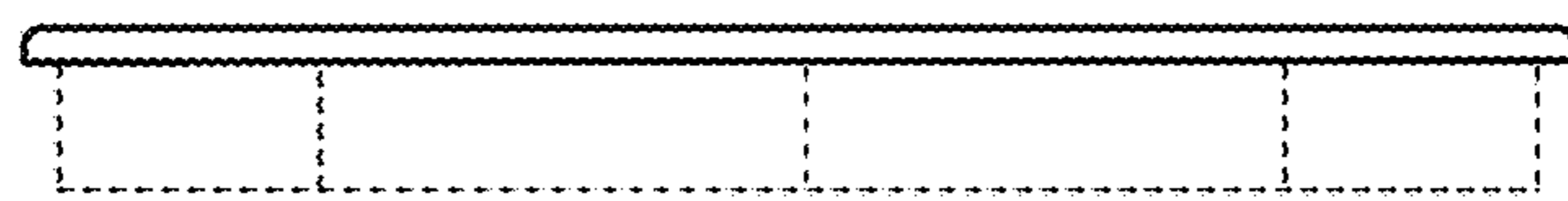
FIG. 15



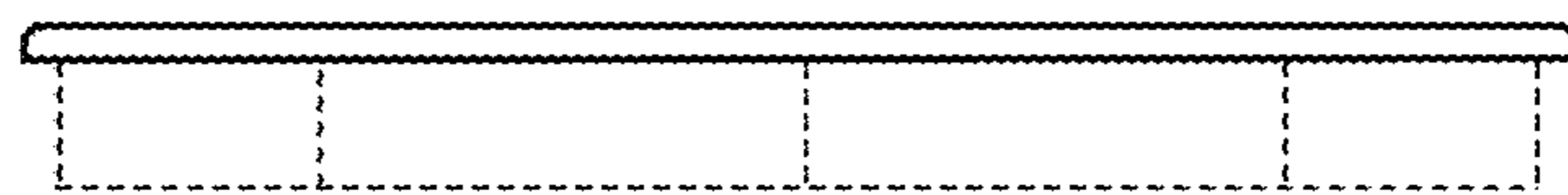
*FIG. 16*



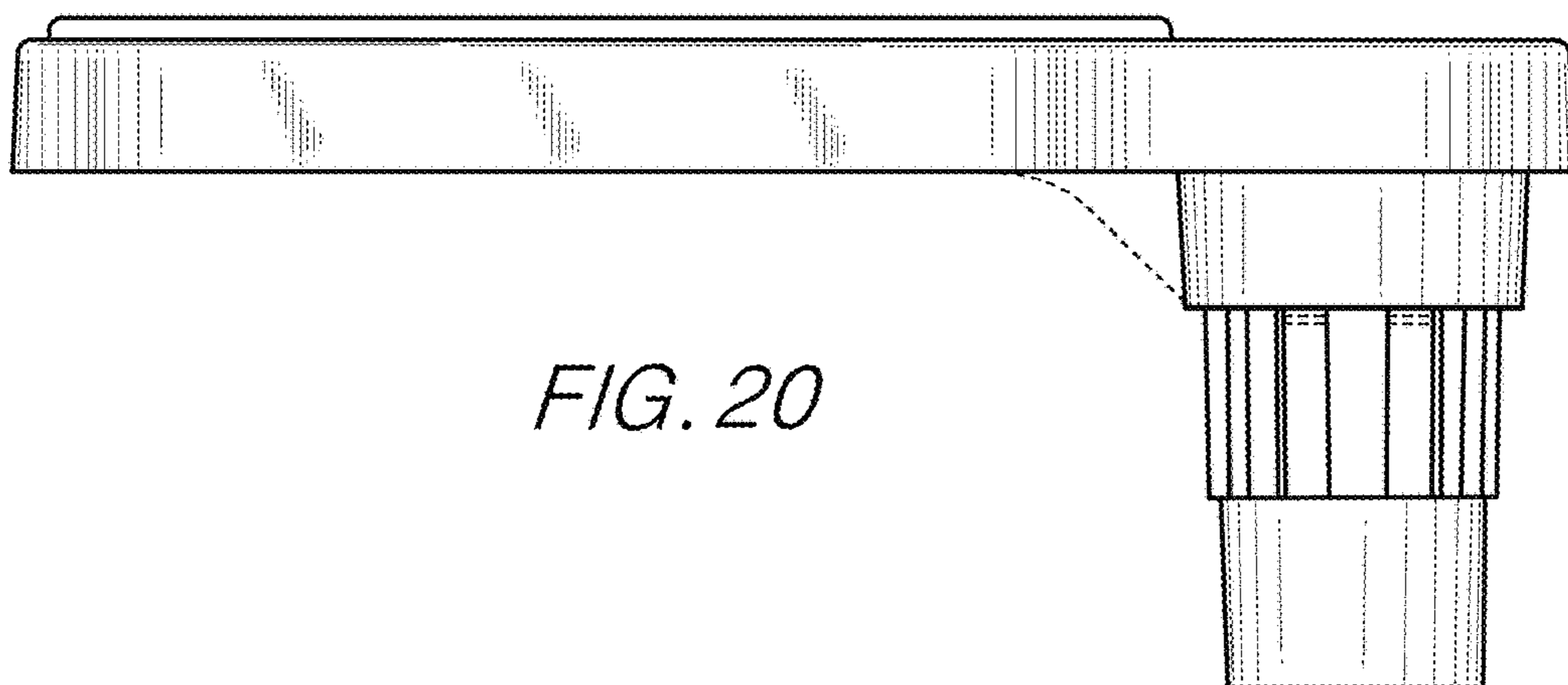
*FIG. 17*



*FIG. 18*



*FIG. 19*



*FIG. 20*

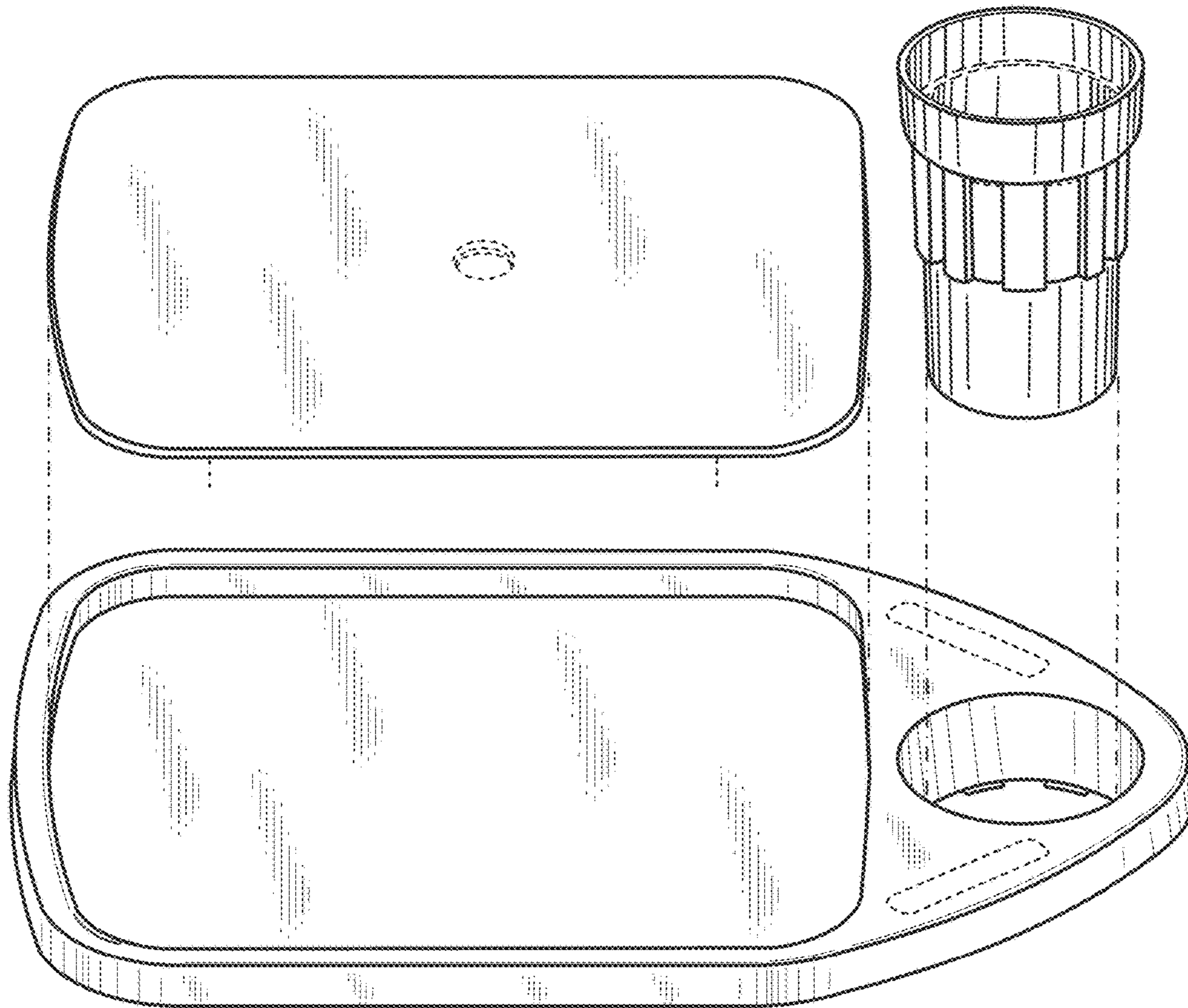


FIG. 21