

US00D862986S

(12) **United States Design Patent** (10) **Patent No.:** **US D862,986 S**
Bodum (45) **Date of Patent:** **** Oct. 15, 2019**

(54) **GLASS**
(71) Applicant: **PI-Design AG**, Triengen (CH)
(72) Inventor: **Jorgen Bodum**, Meggen (CH)
(73) Assignee: **PI-Design AG**, Triengen (CH)
(**) Term: **15 Years**

D577,253 S * 9/2008 Bodum D7/399
D581,739 S * 12/2008 Bodum D7/509
D613,624 S * 4/2010 Bodum D10/46.2
D622,104 S * 8/2010 Ross D7/523
D670,836 S * 11/2012 Hisey 26/22
D745,324 S * 12/2015 Malaspino D7/523
D748,944 S * 2/2016 Ross D7/536
D800,503 S * 10/2017 Notheis D7/523
D817,101 S * 5/2018 Kestenbaum D7/536
D846,948 S * 4/2019 Chin D7/510

(21) Appl. No.: **29/649,143**

(22) Filed: **May 26, 2018**

(30) **Foreign Application Priority Data**

Dec. 27, 2017 (WO) DM/099151

(51) **LOC (12) Cl.** **07-01**

(52) **U.S. Cl.**
USPC **D7/523**

(58) **Field of Classification Search**
USPC D7/523, 532, 524, 509; D11/143, 144;
D9/424, 428; D6/403, 405
CPC . A01G 9/00; A01G 9/02; A01G 9/021; A01G
9/022; A01G 9/024; A47G 19/22; A47G
19/2205; A47G 7/00; A47G 7/02; A47G
7/06

See application file for complete search history.

(56) **References Cited**

U.S. PATENT DOCUMENTS

D47,354 S * 5/1915 Anderson D7/523
2,012,113 A * 8/1935 Thompson A47G 19/2205
215/363
D508,594 S * 8/2005 Snell D34/1
D526,848 S * 8/2006 Bodum
D538,598 S * 3/2007 Haataja D7/523
D553,437 S * 10/2007 Bodum D7/509
D568,103 S * 5/2008 Bodum D7/509

OTHER PUBLICATIONS

Select portions of Bodum Collection Catalogue, Jan. 2017, 3 pages.
PI-Design AG, U.S. Appl. No. 29/649,144, filed May 26, 2018.
PI-Design AG, U.S. Appl. No. 29/649,145, filed May 26, 2018.
PI-Design AG, U.S. Appl. No. 29/649,146, filed May 26, 2018.

* cited by examiner

Primary Examiner — Derrick E Holland

Assistant Examiner — Andrew Kerr

(74) *Attorney, Agent, or Firm* — McDonnell Boehnen
Hulbert & Berghoff LLP

(57) **CLAIM**

I claim the ornamental design for a glass, as shown and described.

DESCRIPTION

FIG. 1 is a perspective view of a glass showing my new design;

FIG. 2 is a front view thereof;

FIG. 3 is a rear view thereof;

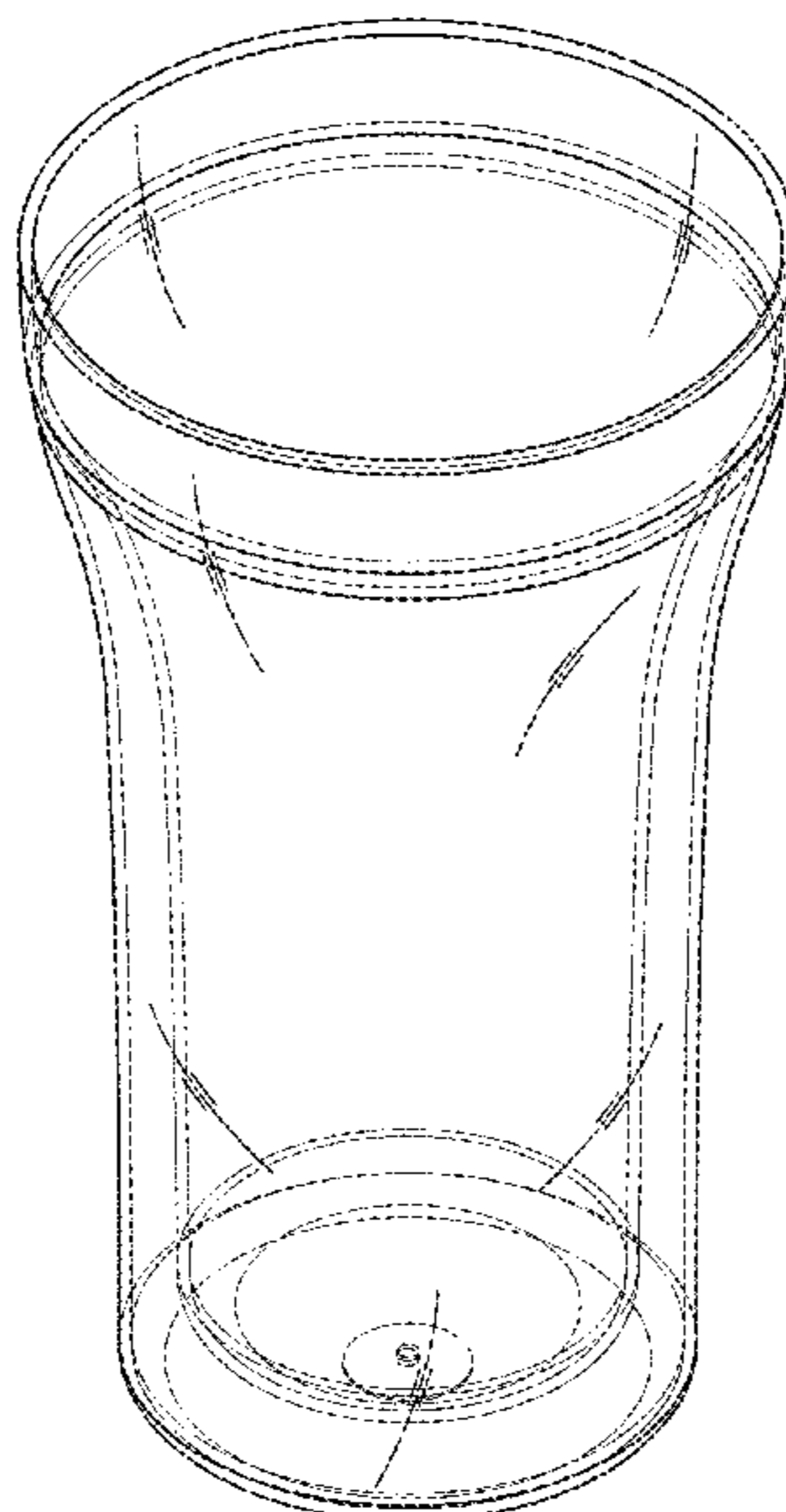
FIG. 4 is a left side view thereof;

FIG. 5 is a right side view thereof;

FIG. 6 is a top view thereof; and,

FIG. 7 is a bottom view thereof.

1 Claim, 7 Drawing Sheets



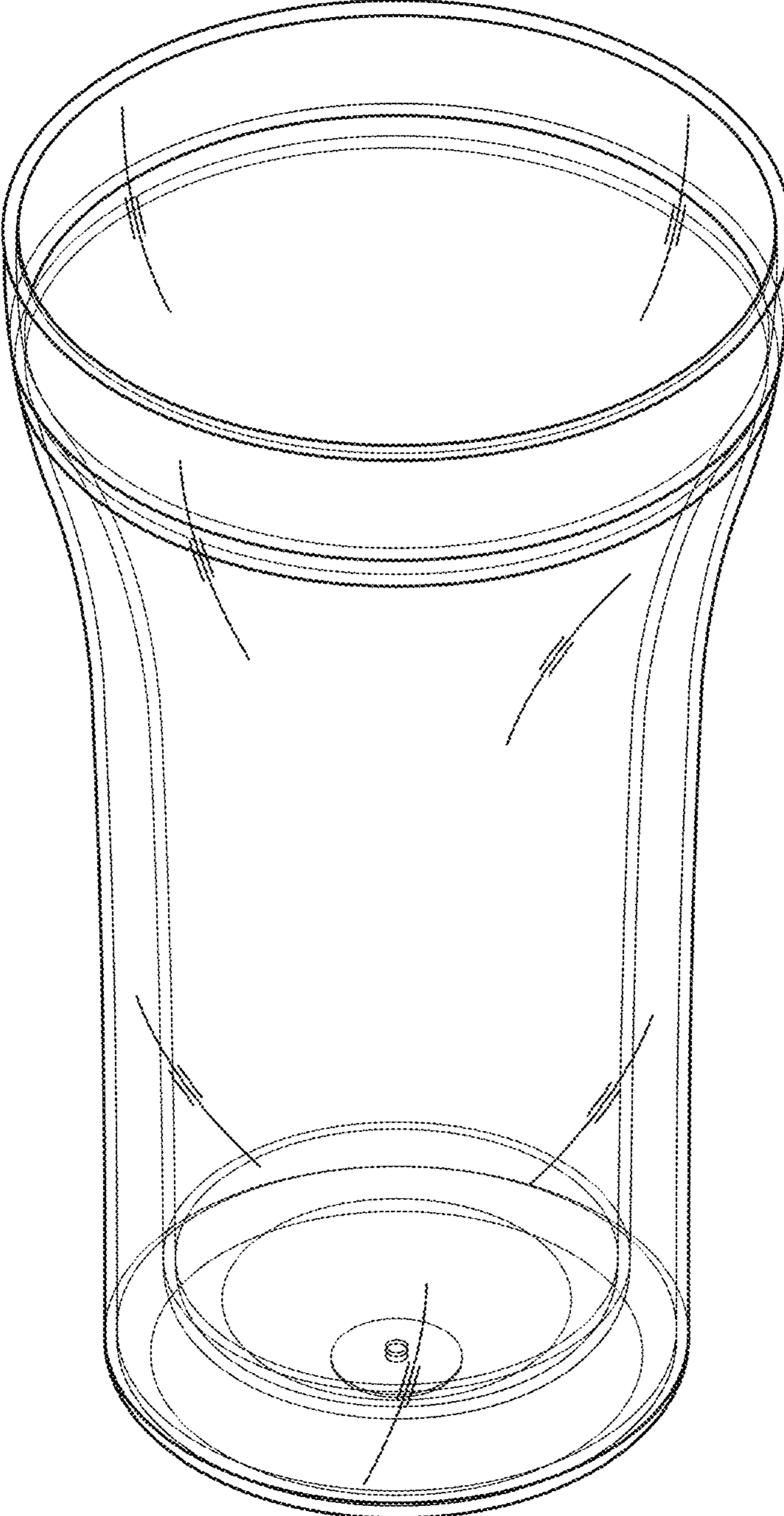


FIG. 1

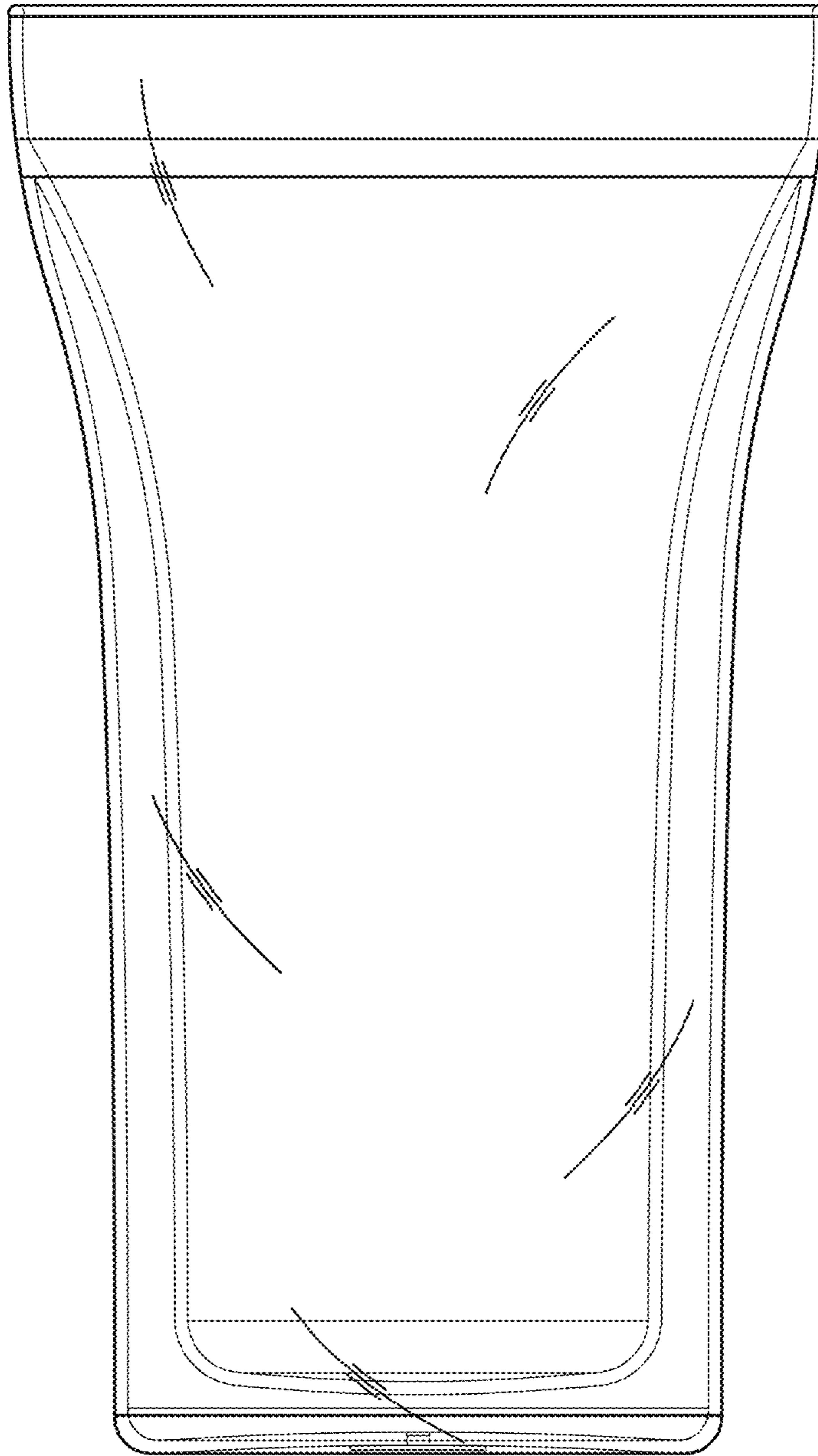


FIG. 2

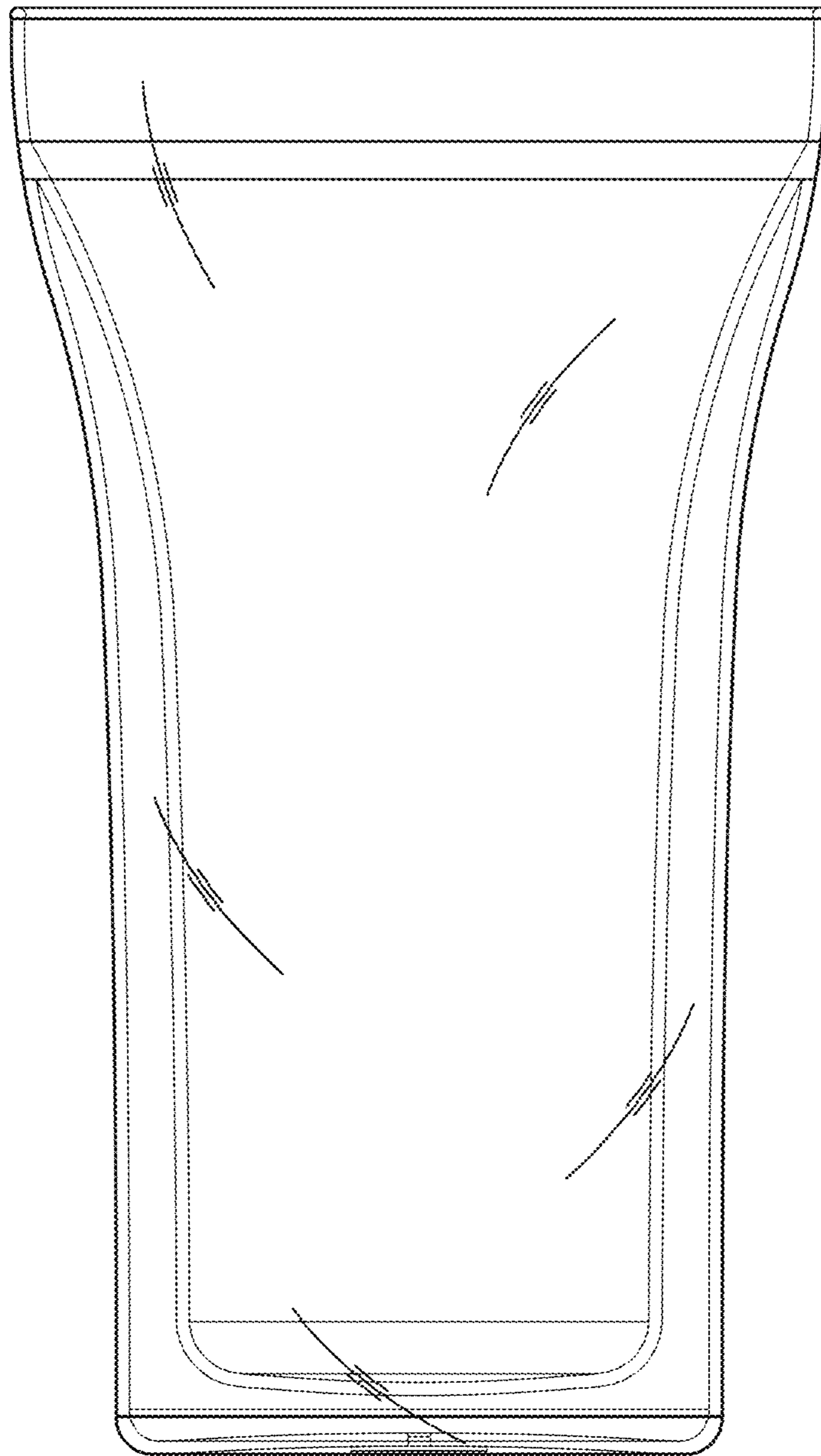


FIG. 3

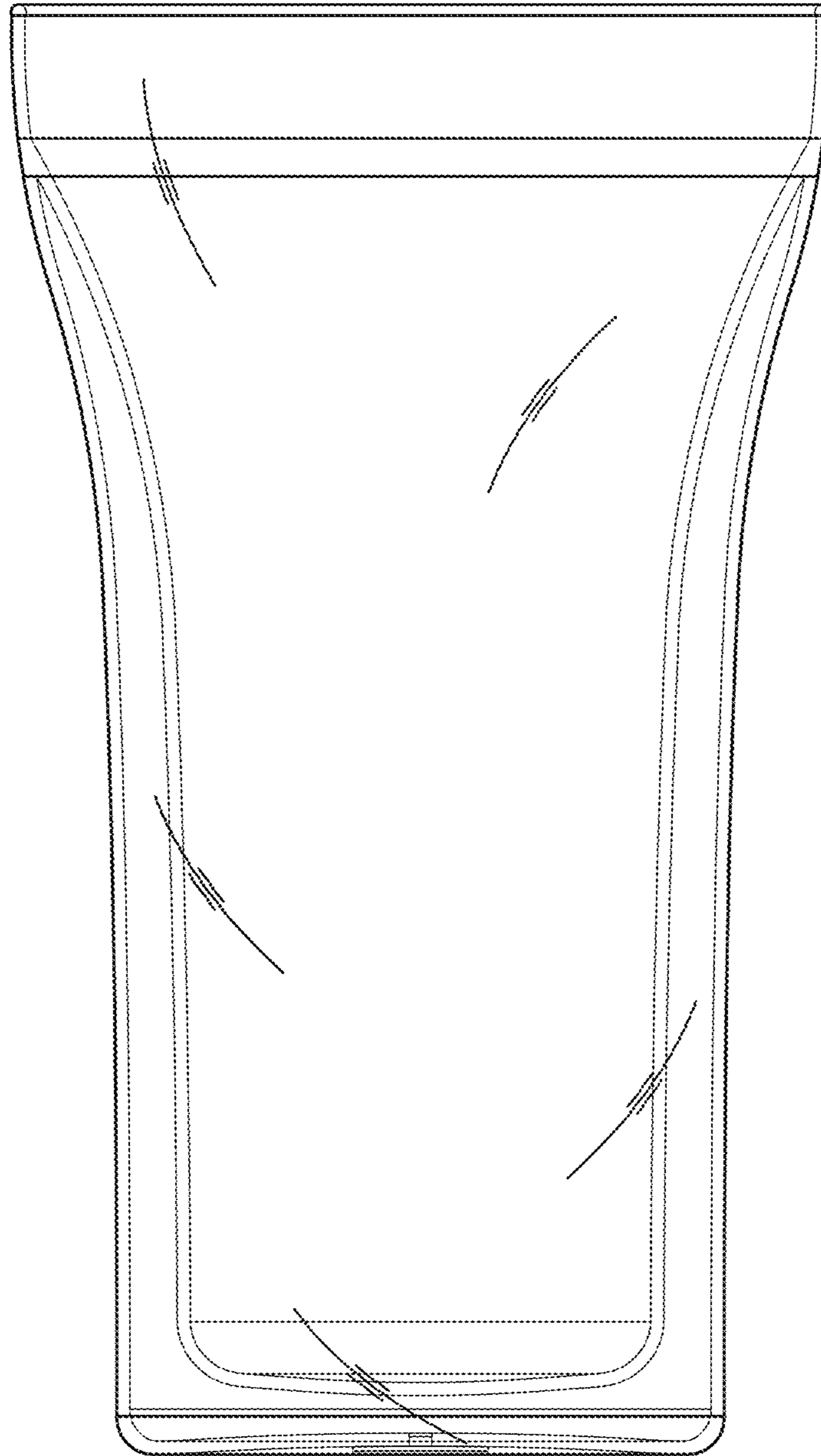


FIG. 4

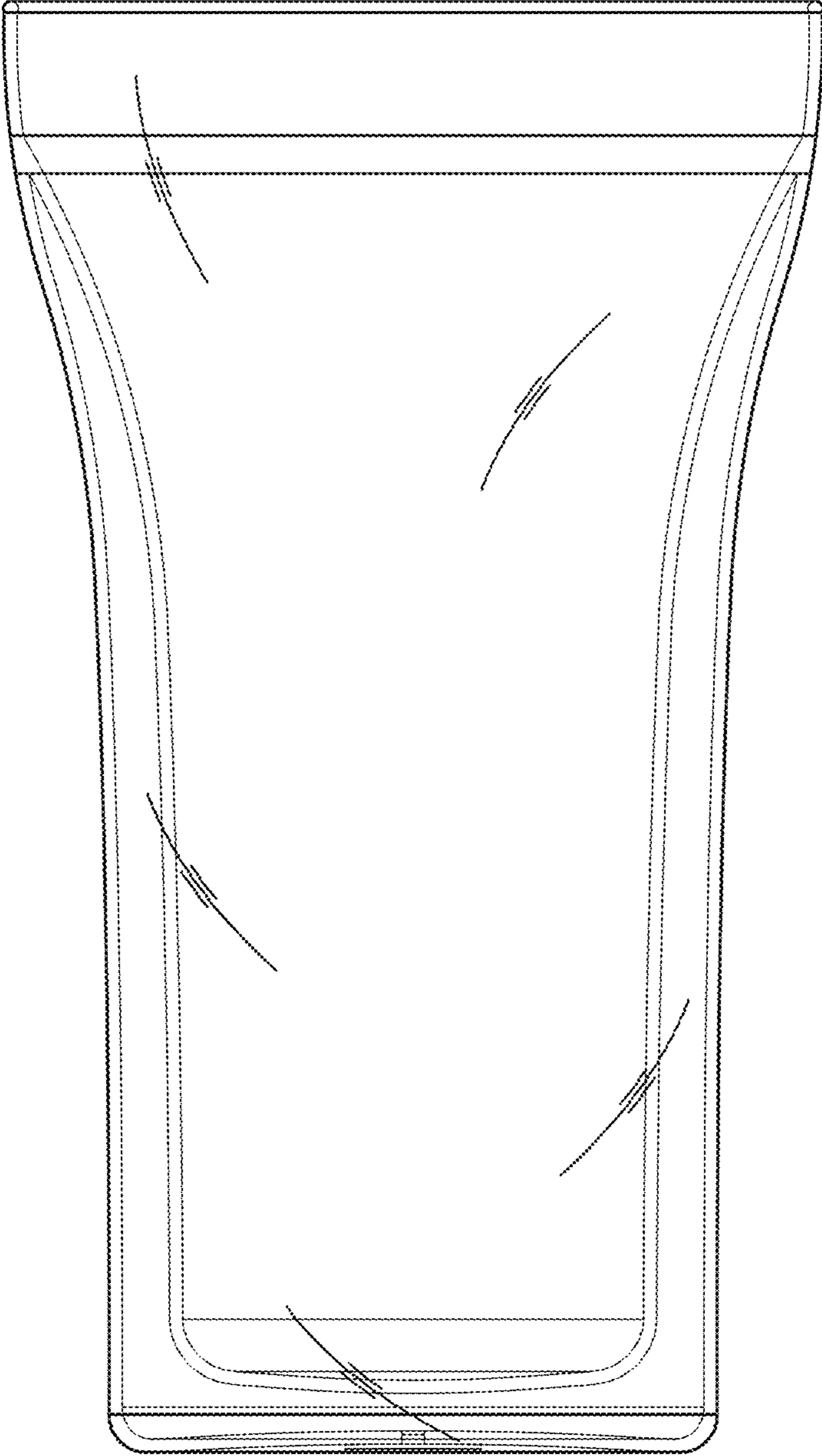


FIG. 5

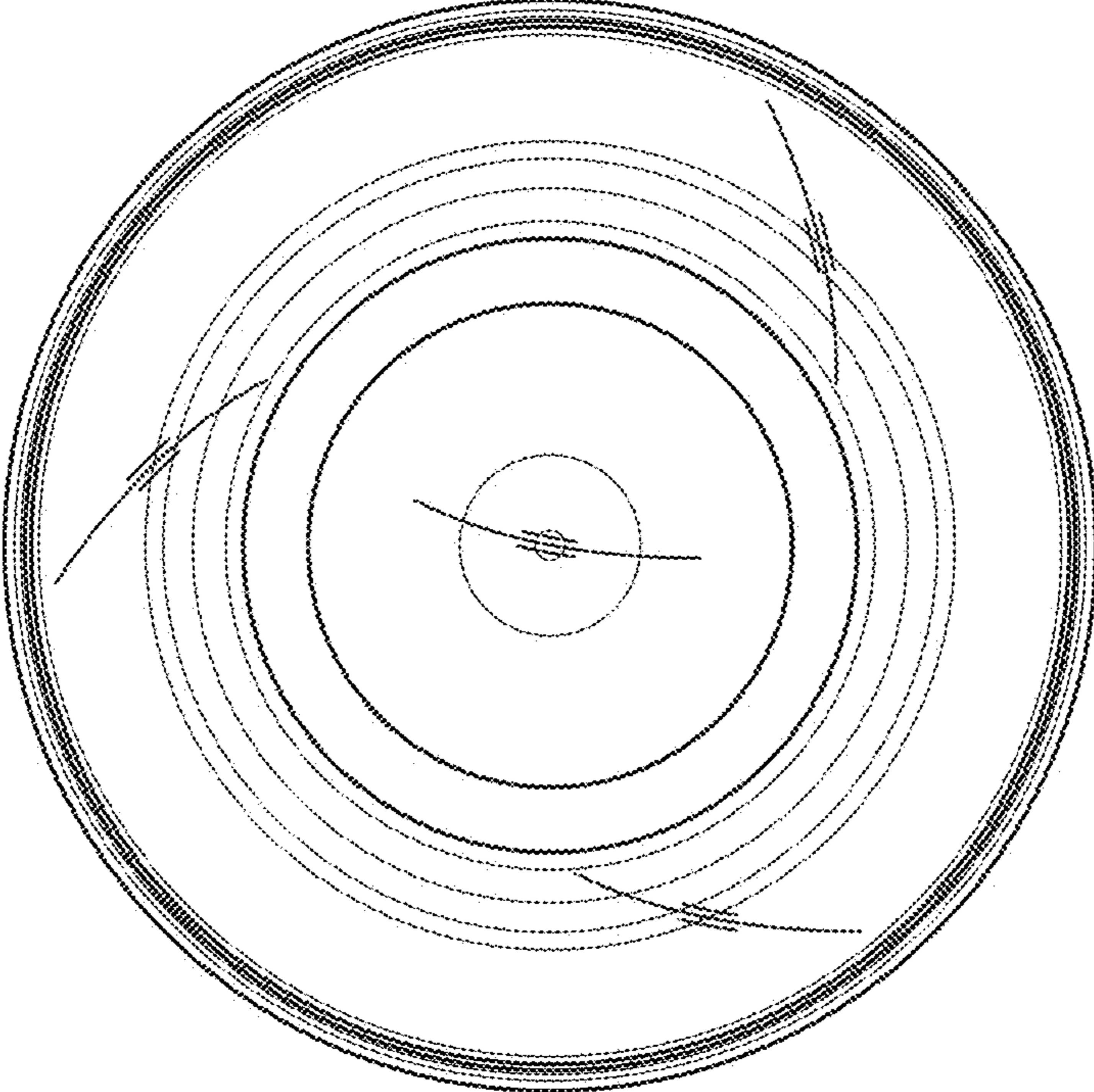


FIG. 6

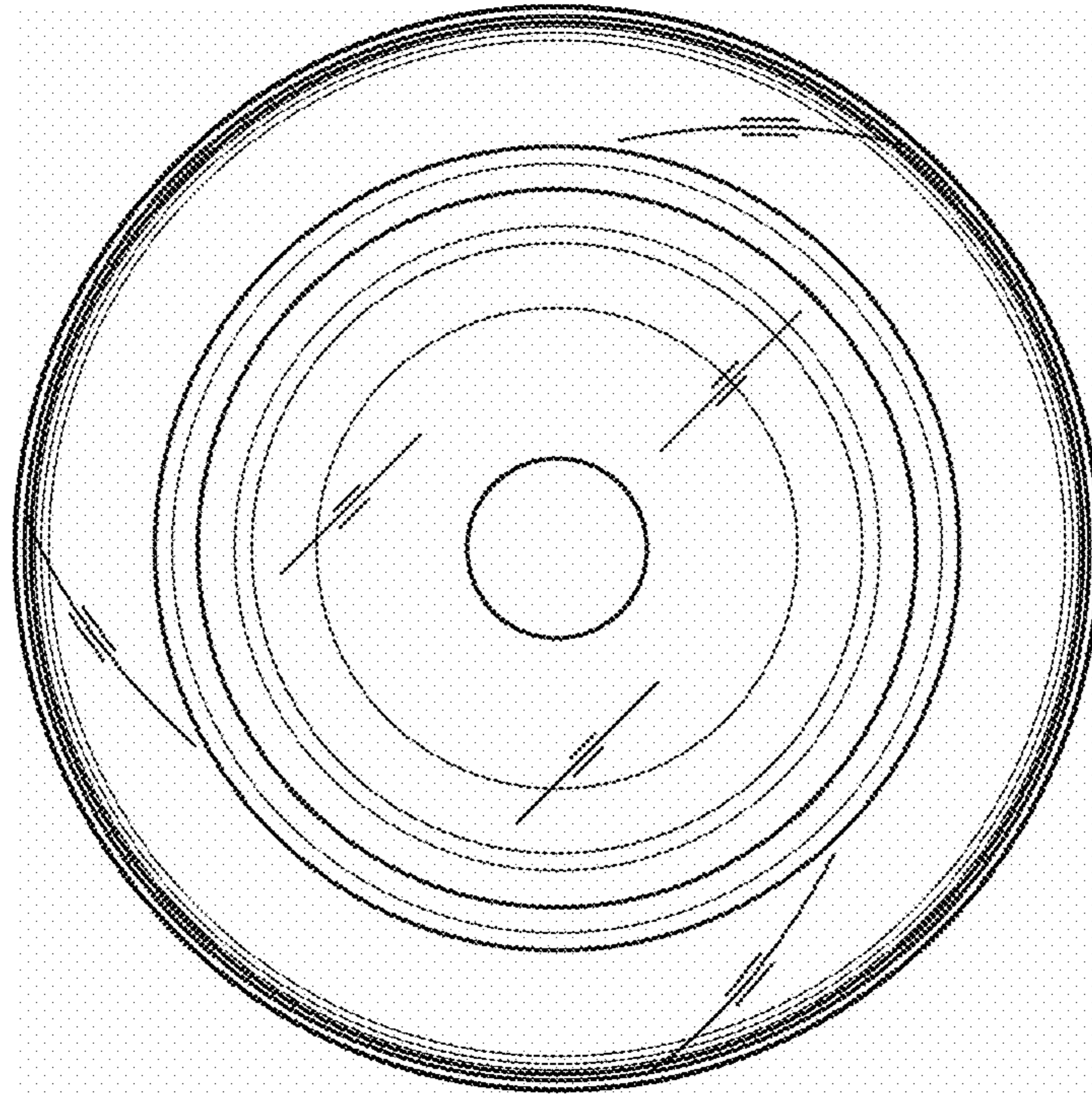


FIG. 7