

US00D862983S

(12) **United States Design Patent** (10) **Patent No.:** **US D862,983 S**
Pirani (45) **Date of Patent:** **** Oct. 15, 2019**

(54) **GRILLING TABLE BOAT WITH INTERNAL BURNER UNITS**

(71) Applicant: **IBBQ, INC.**, San Diego, CA (US)
(72) Inventor: **Karim Pirani**, San Diego, CA (US)
(73) Assignee: **IBBQ, Inc.**, Del Mar, CA (US)
(**) Term: **15 Years**

(21) Appl. No.: **29/602,840**
(22) Filed: **May 3, 2017**
(51) **LOC (12) Cl.** **07-02**
(52) **U.S. Cl.**
USPC **D7/407**
(58) **Field of Classification Search**
USPC D7/332–337, 352–353, 362–367,
D7/402–409, 348, 346; D23/342–344
CPC A47J 37/07–0786
See application file for complete search history.

(56) **References Cited**

U.S. PATENT DOCUMENTS

3,005,451 A * 10/1961 Richart A47J 37/0763
126/25 R
D196,696 S * 10/1963 Fitzgerald D23/419
4,471,749 A * 9/1984 Galdes A47J 37/0763
126/25 R
4,706,643 A * 11/1987 Tyson A47J 37/0704
126/245
4,850,333 A 7/1989 Dellrud et al.
D383,356 S * 9/1997 Stuck D7/332
D386,044 S * 11/1997 Stuck D7/332
6,935,329 B2 * 8/2005 Han A47J 37/0709
126/41 R
7,227,106 B2 * 6/2007 Sung A47J 37/0709
219/450.1
D620,570 S * 7/2010 Thomas D23/342
D641,589 S * 7/2011 Jones D7/407
D802,364 S * 11/2017 Khachatryan D7/409
2012/0121771 A1 * 5/2012 Jones F23D 14/14
426/243

OTHER PUBLICATIONS

Welcome to Cole Henly Home of barbecue, Furniche Concepts Ltd, Sep. 7, 2015, <https://www.youtube.com/watch?v=NR7RiCnncBl> (Year: 2015).*

And for those who have everything . . . The perfect BBQ table. Nikki Moore. Printed on Tuesday, Jul. 12, 2011. Link: <http://www.girlgeekchic.com/posts/4095>.

A Cole Henley Barbecue Table—the ultimate in alfresco dining. By Editor1SYS. Published on Jul. 22, 2011. Link: <http://www.simply-woman.com/a-cole-henley-barbecue-table-the-ultimate-in-alfresco-dining/>.

On Tour’ at Silverstone. Posted on Jul. 15, 2011 by rcablogadmin. Link: <http://blog.britishracecourses.org/?9=486>.

Cole Henley Original BBQ Table. Photos of Table with Propane Gas Line to Propane Tank.

BBQ table. Found Online on May 3, 2017. Link: <https://s-media-cache-ak0.pinning.com/236x/fc/f1/f8/fc1f856ad60e12312d9f055d93cf067.jpg>.

* cited by examiner

Primary Examiner — Brett Miller

(74) *Attorney, Agent, or Firm* — Fitzsimmons IP Law

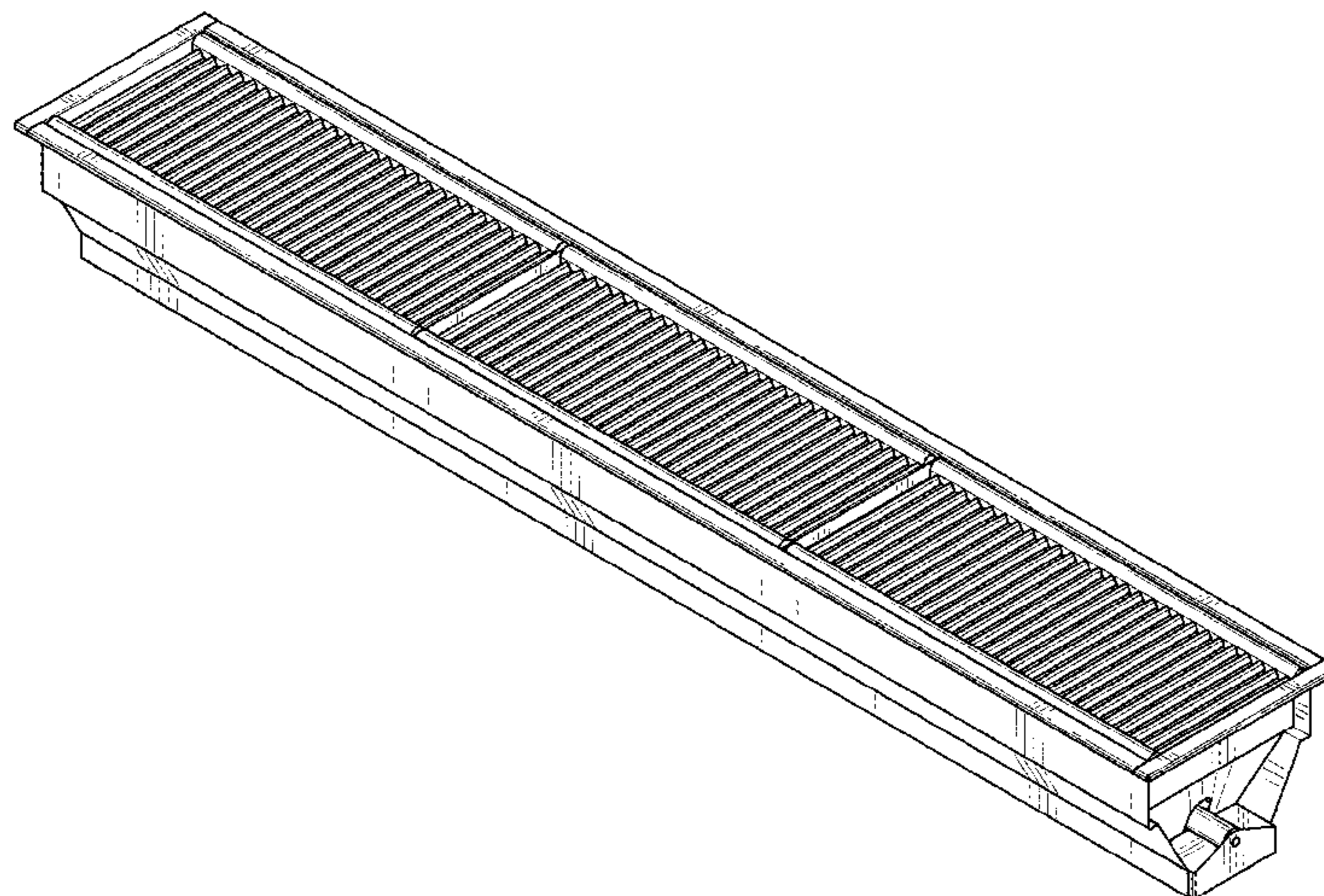
(57) **CLAIM**

The ornamental design for a grilling table boat with internal burner units, as shown and described.

DESCRIPTION

FIG. 1 is a top perspective view of grilling table boat with internal burner units showing my new design;
FIG. 2 is a left-side devotional view thereof;
FIG. 3 is a right-side elevational view thereof;
FIG. 4 is a front elevational view thereof;
FIG. 5 is a rear elevational view thereof;
FIG. 6 is a top plan view thereof;
FIG. 7 is a bottom plan view thereof; and,
FIG. 8 is an exploded top perspective view thereof.

1 Claim, 8 Drawing Sheets



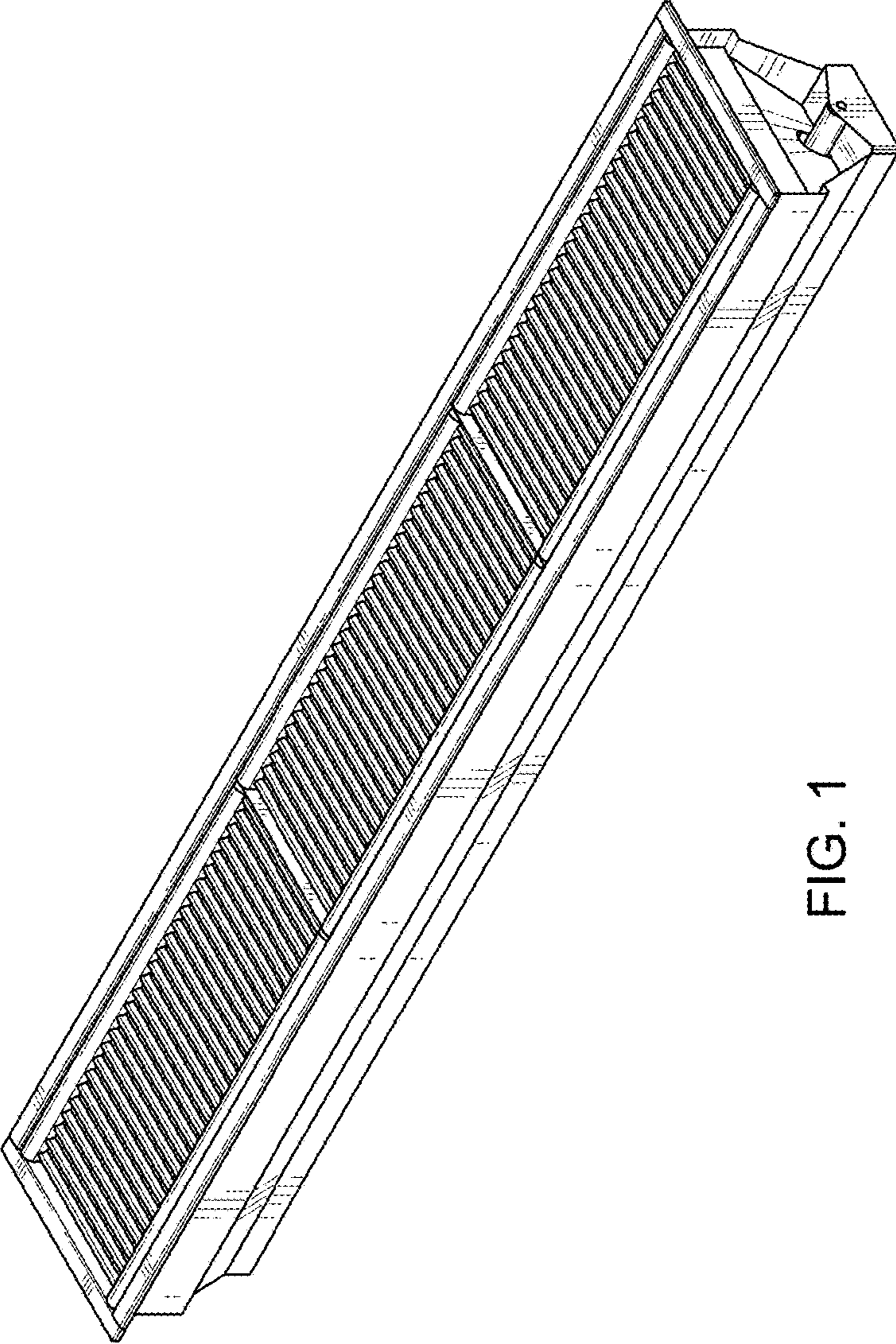


FIG. 1

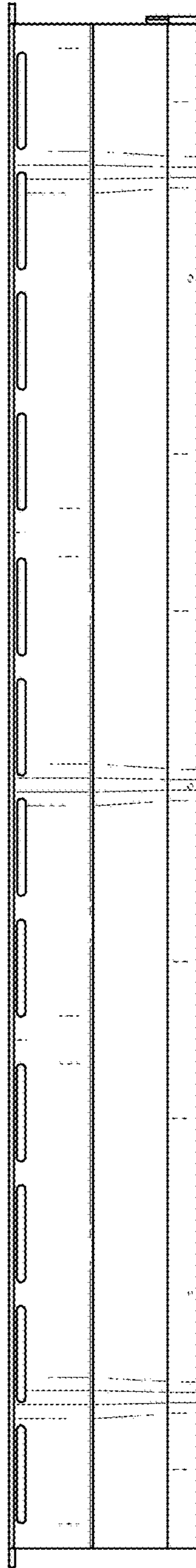


FIG. 2

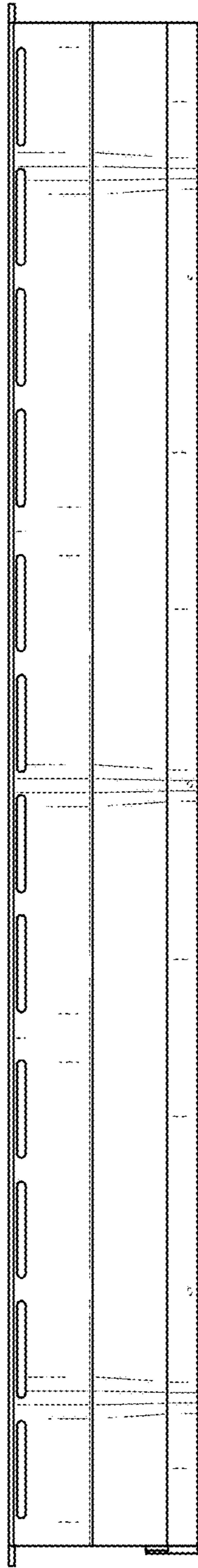


FIG. 3

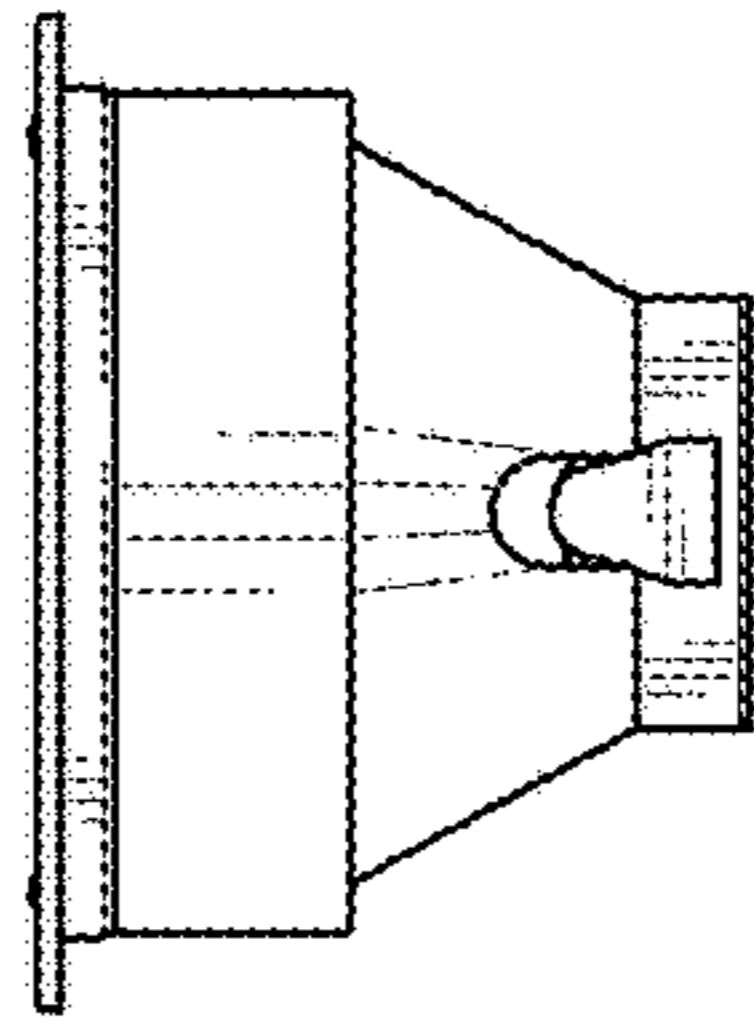


FIG. 4

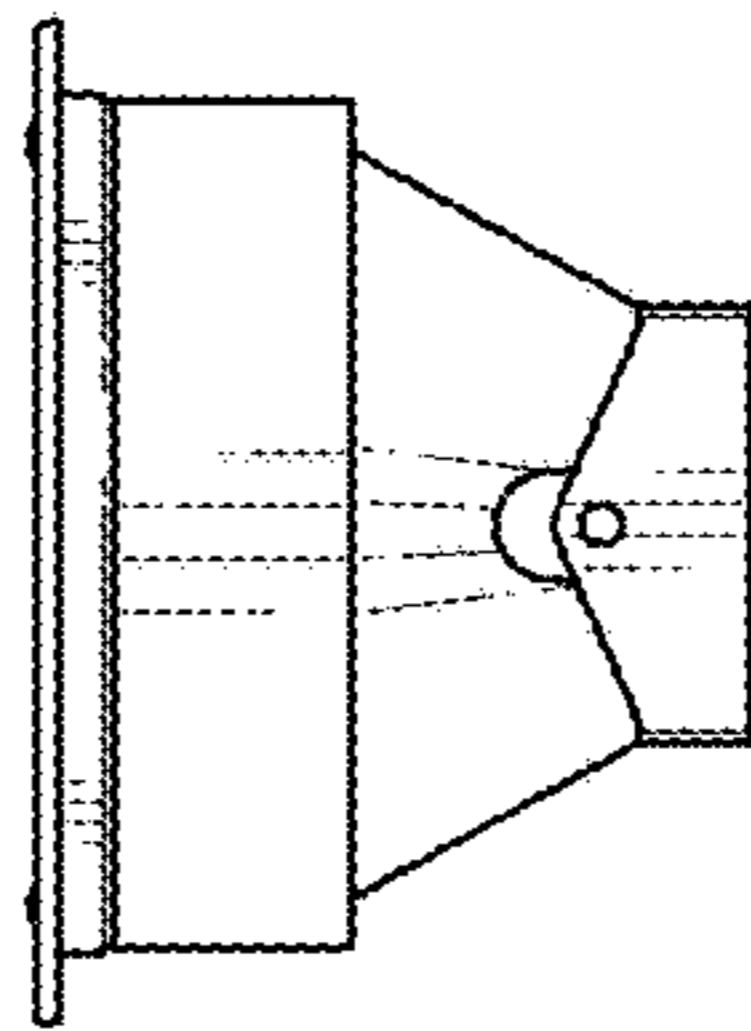


FIG. 5

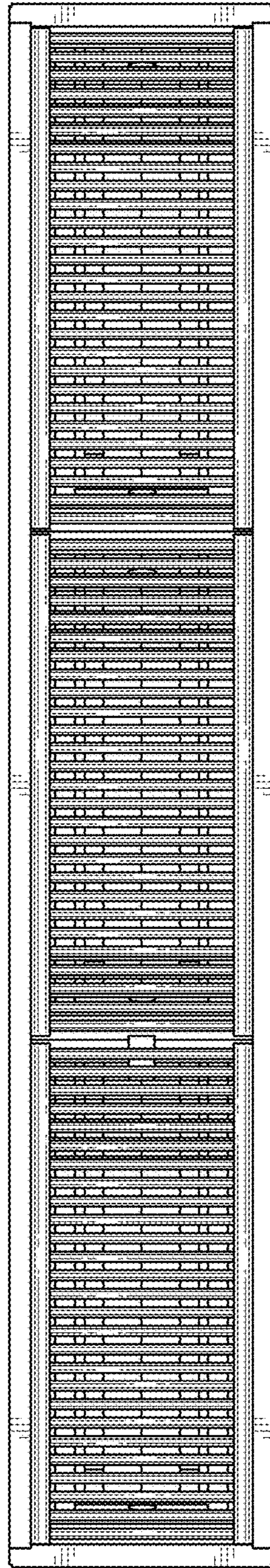


FIG. 6

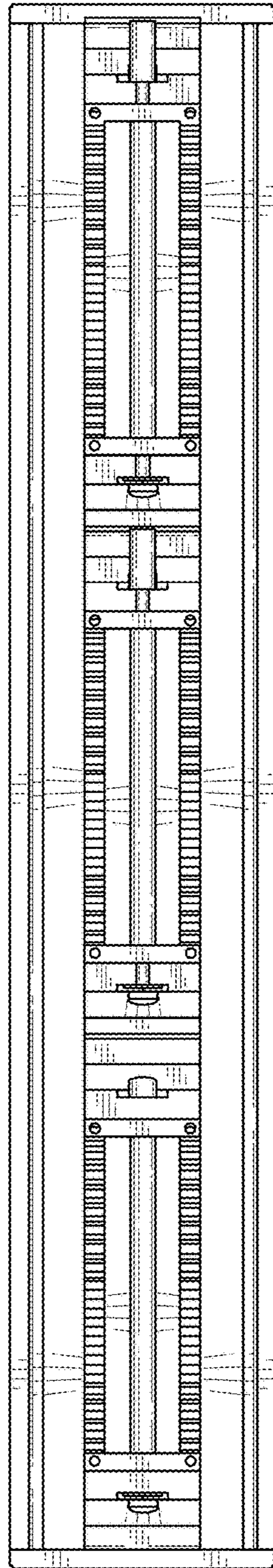


FIG. 7

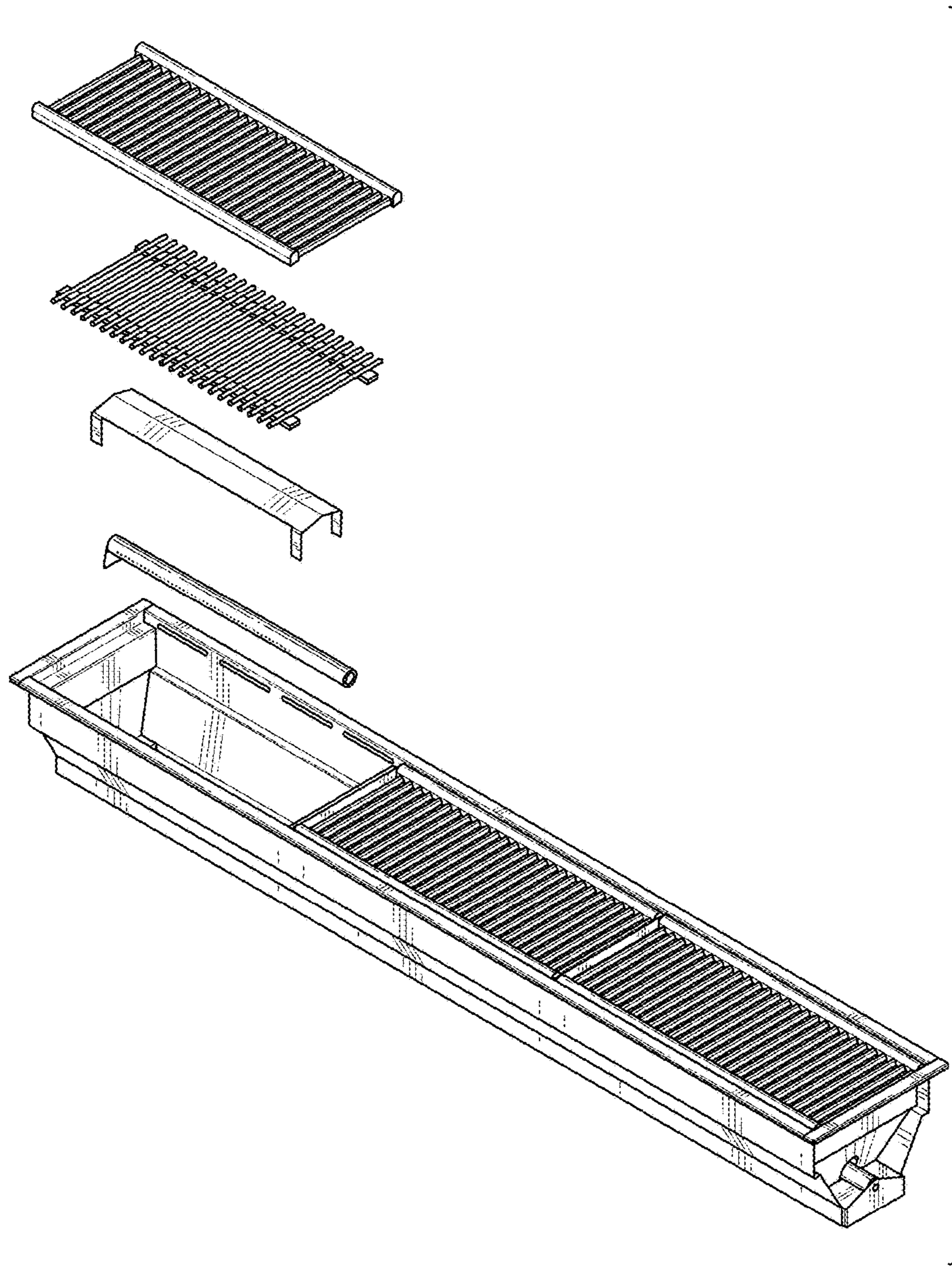


FIG. 8