



US00D862982S

(12) **United States Design Patent**  
**Kim et al.**

(10) **Patent No.:** **US D862,982 S**  
(45) **Date of Patent:** **\*\* Oct. 15, 2019**

(54) **OVEN**

D808,707 S \* 1/2018 Kim ..... D7/340  
D817,688 S \* 5/2018 Kim ..... D7/340  
D818,303 S \* 5/2018 Kim ..... D7/340

(71) Applicant: **Samsung Electronics Co., Ltd.**,  
Suwon-si (KR)

(Continued)

(72) Inventors: **Hyunsoo Kim**, Seongnam-si (KR);  
**Hwanwoong Choi**, Seoul (KR)

FOREIGN PATENT DOCUMENTS

EM 002607119-0002 1/2015  
KR 30-2015-0060395 3/2016

(73) Assignee: **Samsung Electronics Co., Ltd.**,  
Suwon-si (KR)

OTHER PUBLICATIONS

(\*\*) Term: **15 Years**

“LG Studio Stainless Steel Slide-In Gas Range—LSSG3016ST”  
[2018] www.abt.com May 29, 2018 <<https://www.abt.com/product/94041/LG-STUDIO-Stainless-Steel-Slide-In-Gas-Range-LSSG3016ST.html>>.

(21) Appl. No.: **29/649,441**

(Continued)

(22) Filed: **May 30, 2018**

(30) **Foreign Application Priority Data**

Mar. 9, 2018 (KR) ..... 30-2018-0011618

*Primary Examiner* — Sheryl Lane

*Assistant Examiner* — Nicole C Shiflet

(51) **LOC (12) Cl.** ..... **07-02**

(74) *Attorney, Agent, or Firm* — NSIP Law

(52) **U.S. Cl.**  
USPC ..... **D7/406**

(57) **CLAIM**

We claim the ornamental design for an oven, as shown and described.

(58) **Field of Classification Search**  
USPC ..... D7/402–407, 323, 346–349, 332, 351,  
D7/350.1–350.4, 339–340  
CPC .. F24C 3/002; F24C 3/00; F24C 15/02; F24C  
7/00; F24C 5/00; H05B 1/0263; H05B  
1/0261

**DESCRIPTION**

See application file for complete search history.

FIG. 1 is a front perspective view of an oven showing our new design;  
FIG. 2 is a front view thereof;  
FIG. 3 is a rear view thereof;  
FIG. 4 is a left-side view thereof;  
FIG. 5 is a right-side view thereof;  
FIG. 6 is a top view thereof;  
FIG. 7 is a bottom view thereof; and,  
FIG. 8 is an enlarged view of the encircled portion in FIG. 1.

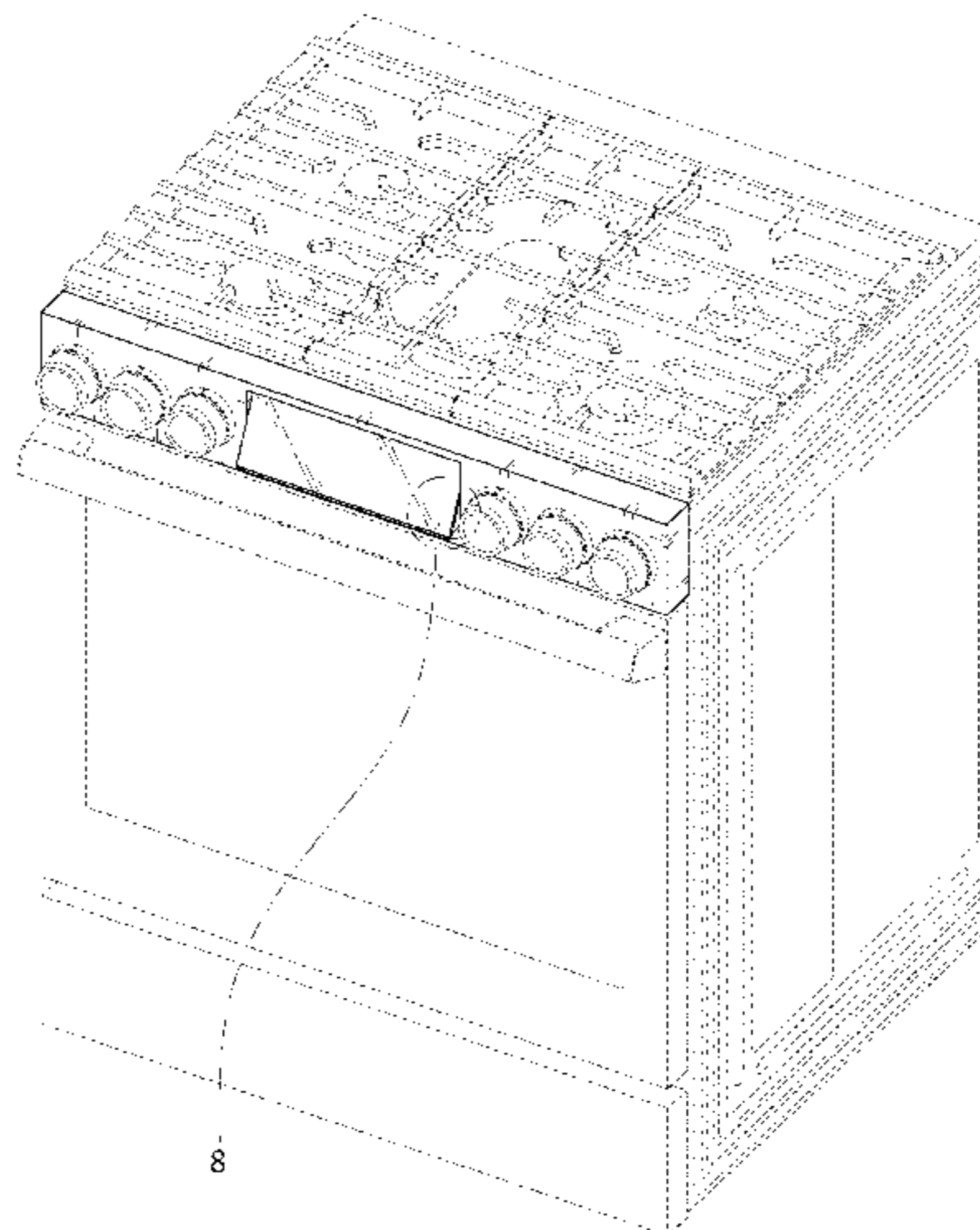
(56) **References Cited**

U.S. PATENT DOCUMENTS

D696,554 S \* 12/2013 Kim ..... D7/406  
D704,978 S \* 5/2014 Kim ..... D7/340  
D755,009 S 5/2016 Kim et al.  
D755,563 S \* 5/2016 Kim ..... D7/406  
D763,616 S \* 8/2016 Kim ..... D7/339  
D764,853 S \* 8/2016 Kim ..... D7/339  
D781,096 S 3/2017 Kim et al.  
D786,006 S 5/2017 Chung et al.  
D787,257 S \* 5/2017 Kim ..... D7/339  
D788,513 S \* 6/2017 Chung ..... D7/323

The even-dash broken lines depict portions of the oven which form no part of the claimed design. The dot-dot-dash broken lines encircling enlargement portion of the claimed design form no part of the claimed design.

**1 Claim, 8 Drawing Sheets**



(56)

**References Cited**

U.S. PATENT DOCUMENTS

D821,139 S \* 6/2018 Jeon ..... D7/406  
D840,738 S \* 2/2019 Chung ..... D7/340  
2017/0248321 A1\* 8/2017 Khan ..... F24C 15/02

OTHER PUBLICATIONS

“1st place in Samsung Gas Oven Range Selected as ‘Recommended Product’ in the Consumer Report Double Door Division Major performance ‘excellent’ rating as LG • GE products aside” [2016] www.gasnews.com Jun. 16, 2016 <<http://www.gasnews.com/news/articleView.html?idxno=74006>>.

“Built-in Oven Range.” [2016] www.rinnaidc.com Sep. 23, 2016 <<http://rinnaidc.com/%EB%B9%8C%ED%8A%B8%EC%9D%B8%EC%98%A4%EB%B8%90%EB%A0%88%EC%9D%B8%EC%A7%80/797181>>.

\* cited by examiner

FIG. 1

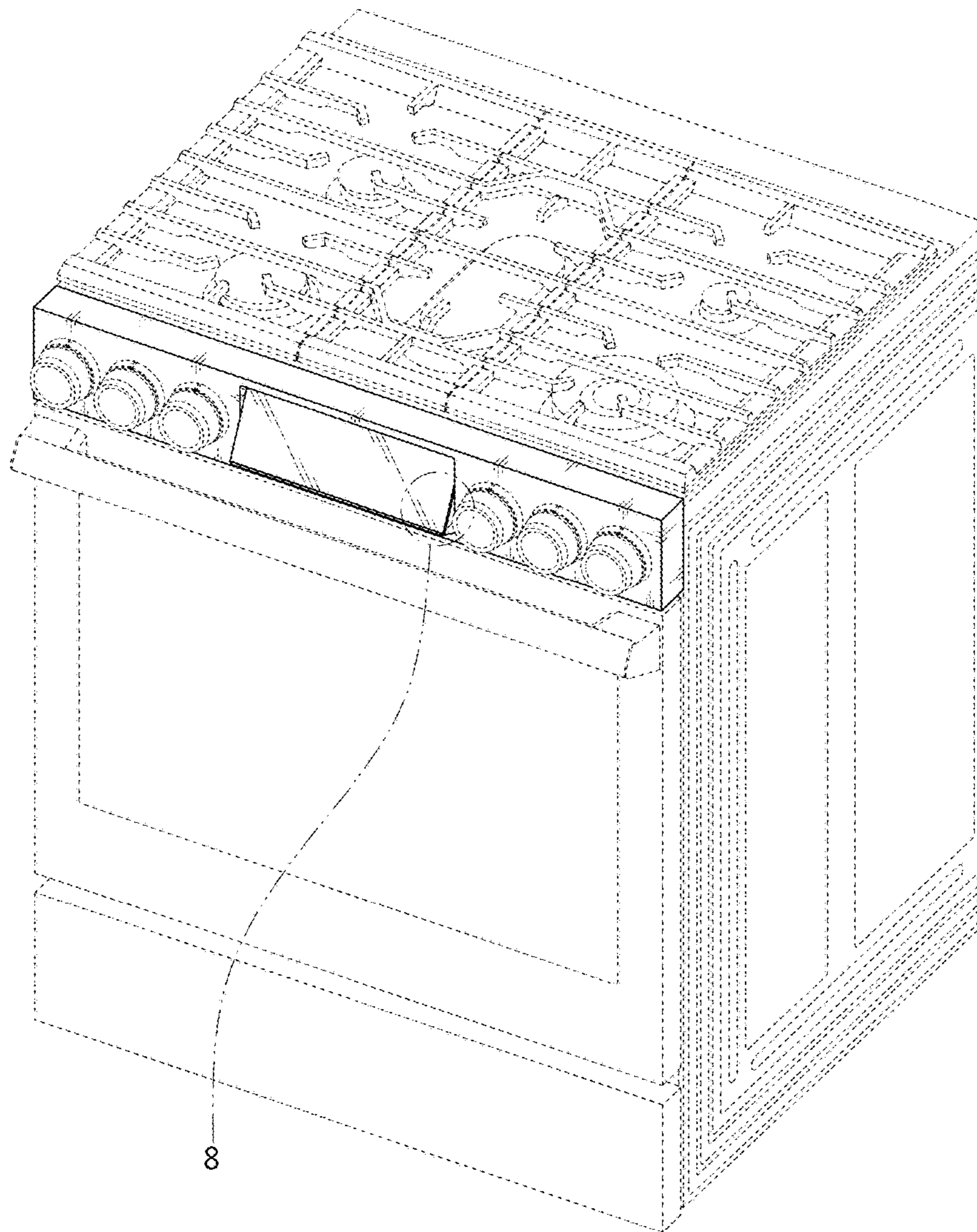


FIG. 2

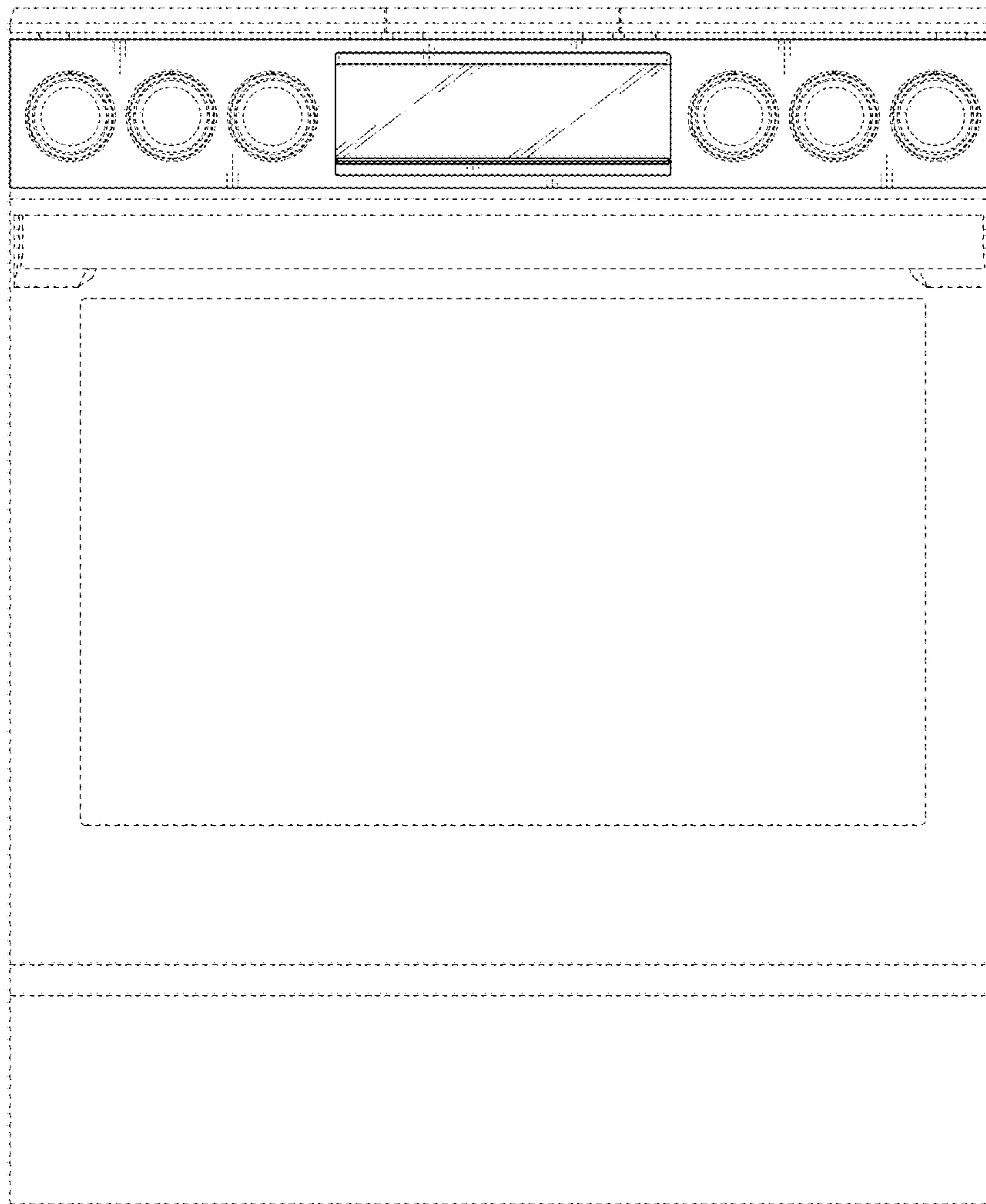


FIG. 3

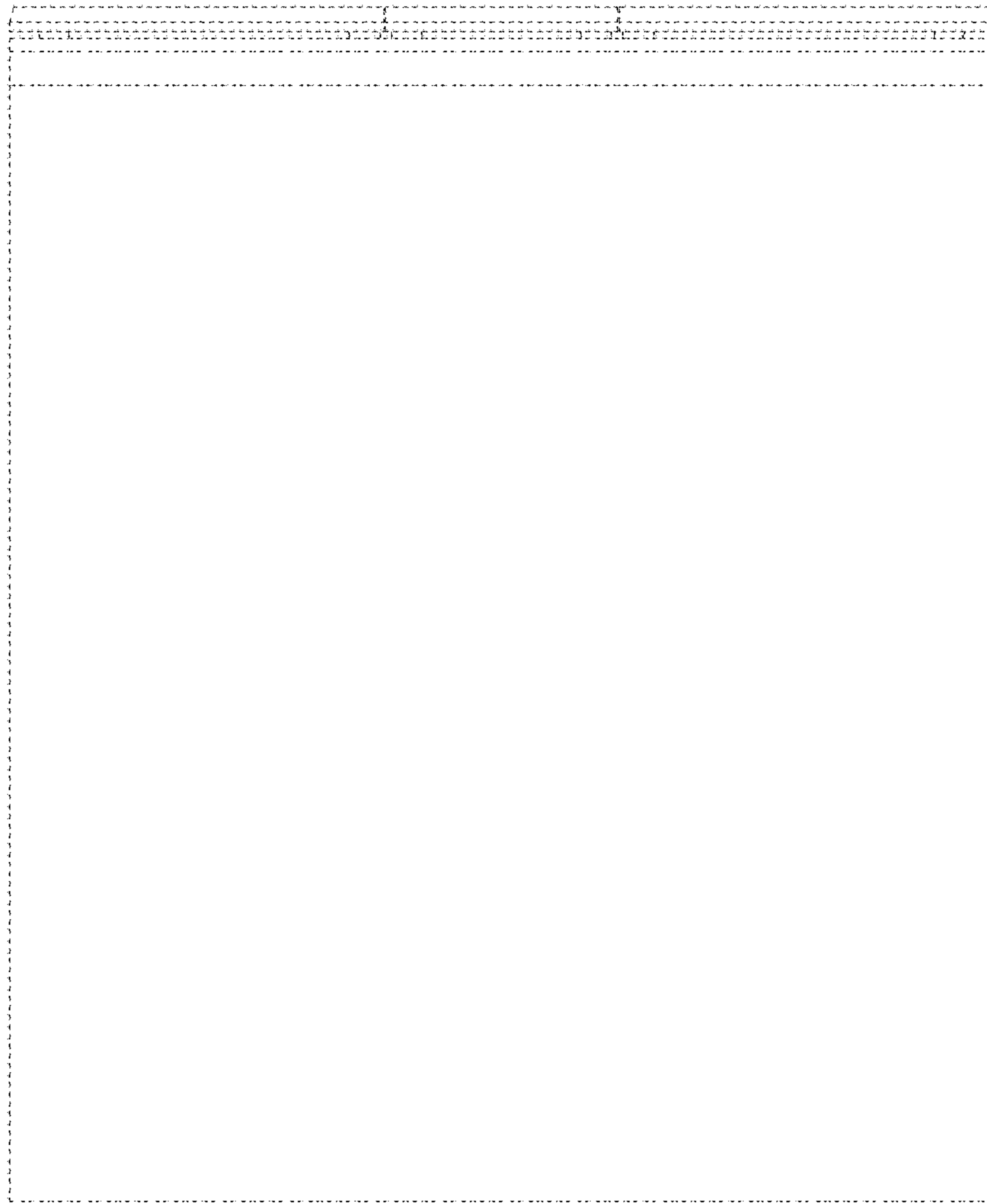


FIG. 4

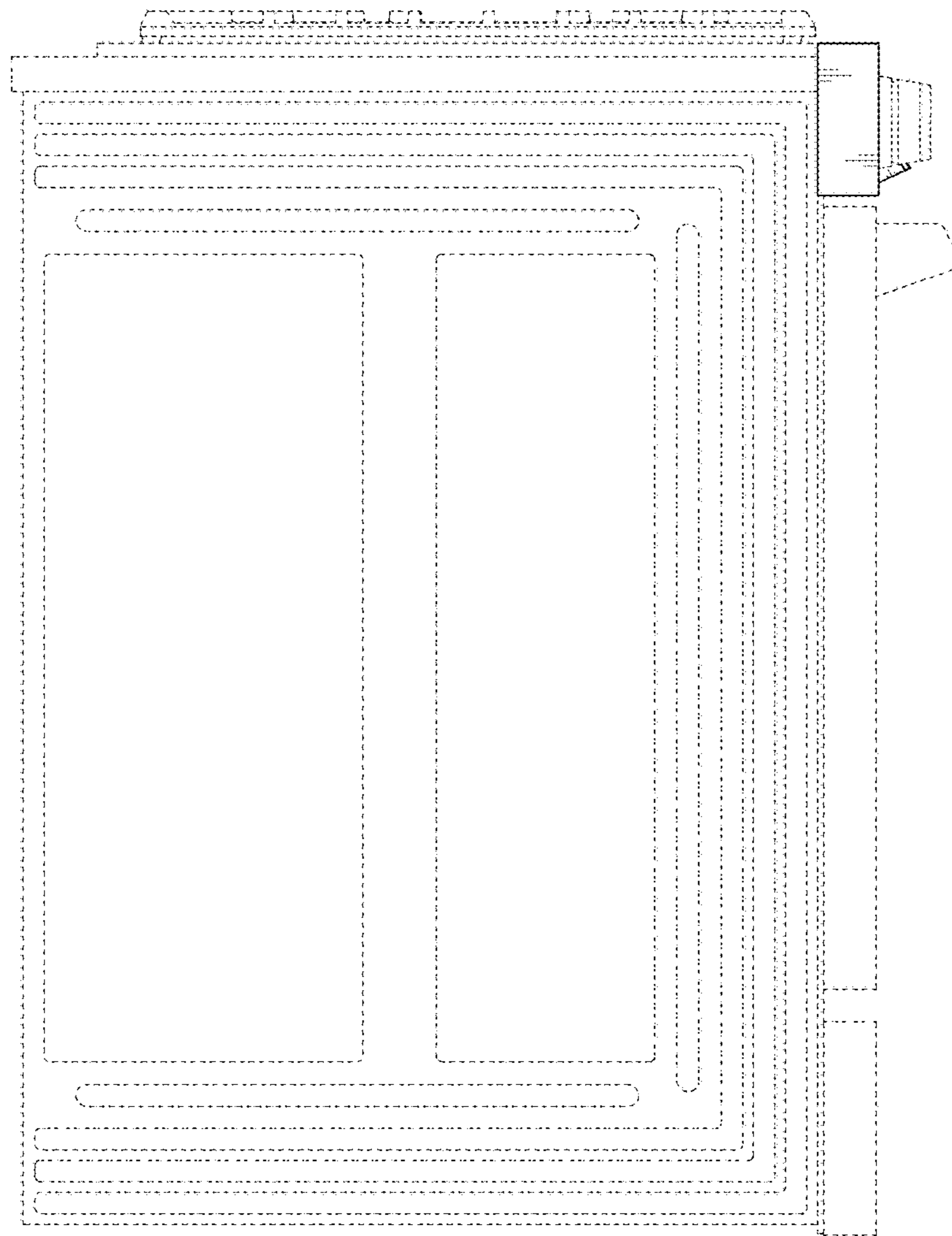


FIG. 5

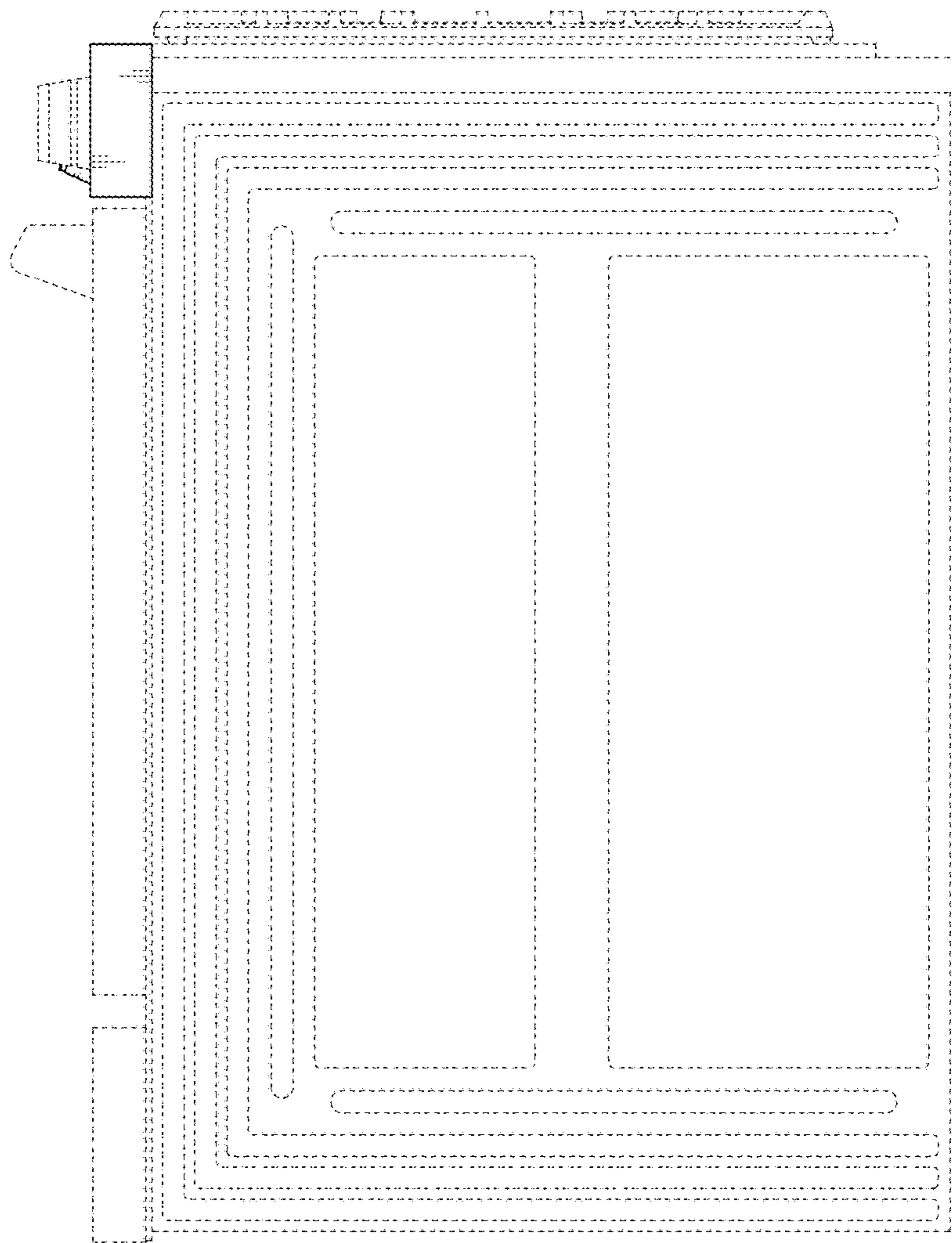


FIG. 6

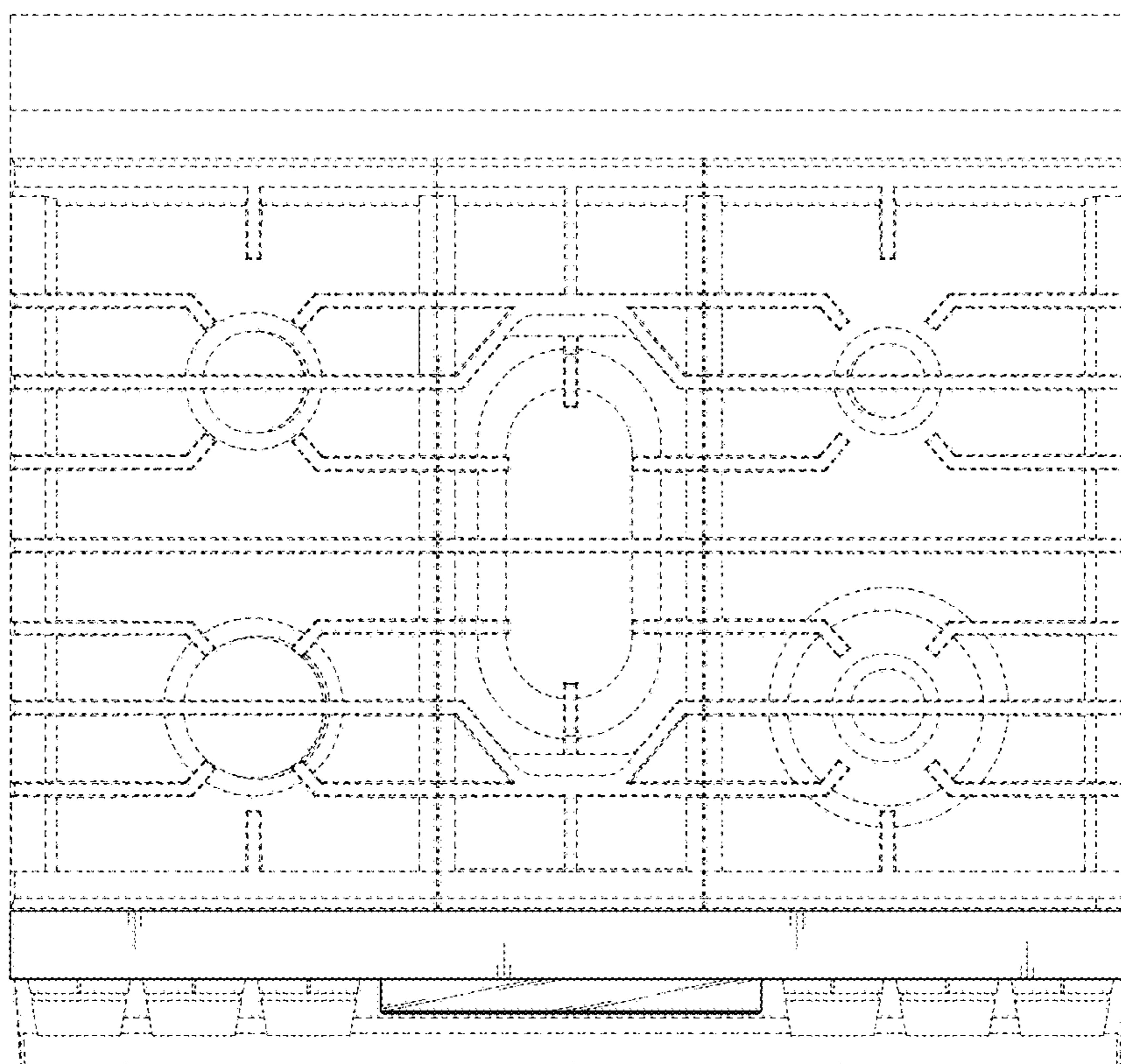




FIG. 7

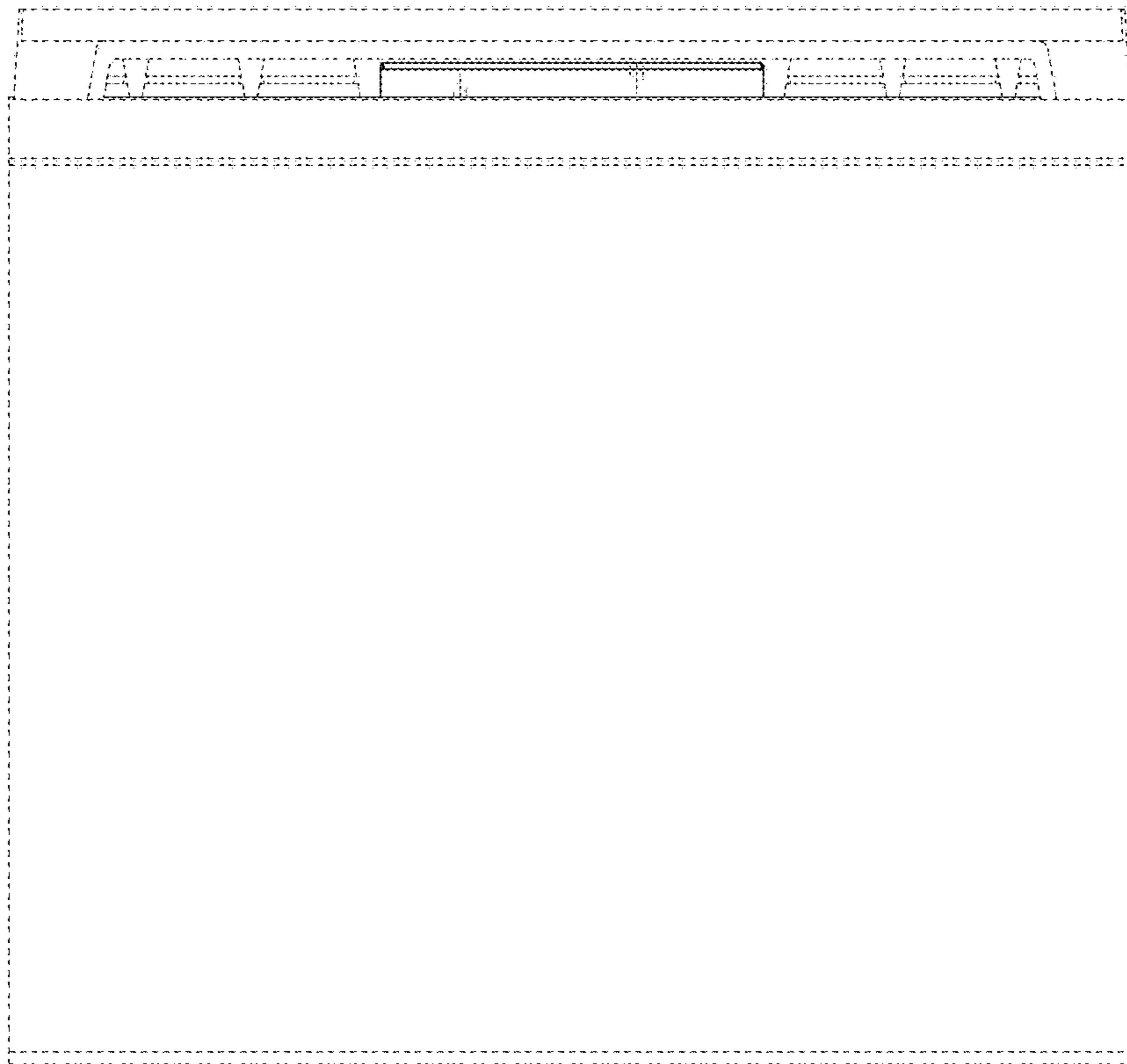


FIG. 8

