

US00D862981S

(12) **United States Design Patent**
Bergese et al.

(10) **Patent No.:** **US D862,981 S**

(45) **Date of Patent:** **** Oct. 15, 2019**

- (54) **MICROWAVE OVEN**
- (71) Applicant: **Panasonic Intellectual Property Management Co., Ltd.**, Osaka-shi, Osaka (JP)
- (72) Inventors: **Enrico Bergese**, Shiga (JP); **Yuya Imaeda**, Osaka (JP); **Sho Sugie**, Kyoto (JP)

D633,329 S *	3/2011	Baek	D7/351
D657,186 S	4/2012	Ohmae et al.	
D665,219 S *	8/2012	Ohmae	D7/351
D665,220 S *	8/2012	Ohmae	D7/351
D693,167 S	11/2013	Kim et al.	
D750,431 S *	3/2016	Bergese	D7/405
D766,657 S *	9/2016	Bergese	D7/405
D780,513 S *	3/2017	Bergese	D7/405
D836,376 S *	12/2018	Kim	D7/351
D843,160 S *	3/2019	Kang	D7/351

- (73) Assignee: **Panasonic Intellectual Property Management Co., Ltd.**, Osaka (JP)

FOREIGN PATENT DOCUMENTS

CN	301002150	9/2009
CN	301359873	10/2010

- (**) Term: **15 Years**

* cited by examiner

- (21) Appl. No.: **29/615,226**

Primary Examiner — Sheryl Lane

- (22) Filed: **Aug. 28, 2017**

Assistant Examiner — Nicole C Shiflet

- (51) **LOC (12) Cl.** **07-02**

(74) *Attorney, Agent, or Firm* — Brinks Gilson & Lione

- (52) **U.S. Cl.**
USPC **D7/405**

(57) **CLAIM**

- (58) **Field of Classification Search**
USPC D7/402–408, 351, 350.1–350.4, 323, D7/339–340, 346–349
CPC H05B 6/763; H05B 6/6414; H05B 6/6408; Y02B 40/14; Y02B 40/143; Y02B 40/146; F24C 15/02; F24C 1/00; F24C 14/00; F24C 3/00; F24C 5/00; F24C 7/00
See application file for complete search history.

We claim the ornamental design for a microwave oven, as shown and described.

DESCRIPTION

- (56) **References Cited**

U.S. PATENT DOCUMENTS

D437,179 S *	2/2001	Ozaki	D7/351
D452,410 S *	12/2001	Ichimura	D7/351
D586,173 S *	2/2009	Kim	D7/351
D599,163 S *	9/2009	Oomae	D7/351

FIG. 1 is a front and top perspective view of a microwave oven of the present invention;
 FIG. 2 is a top view thereof;
 FIG. 3 is a front view thereof;
 FIG. 4 is a bottom view thereof;
 FIG. 5 is a first side view thereof; and,
 FIG. 6 is a second side view thereof.
 The broken lines shown represent unclaimed subject matter and form no part of the claimed design.

1 Claim, 6 Drawing Sheets

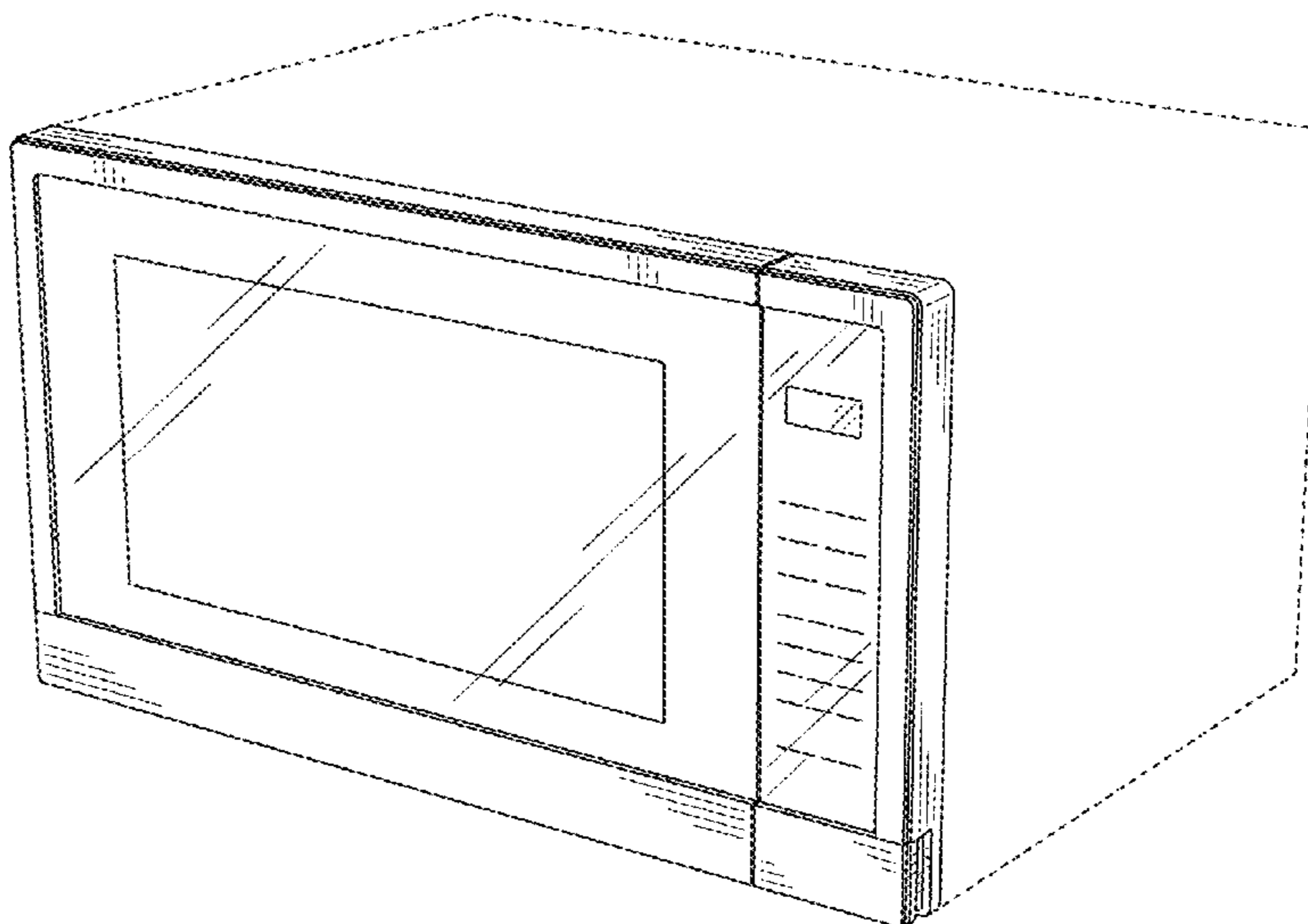


FIG. 1

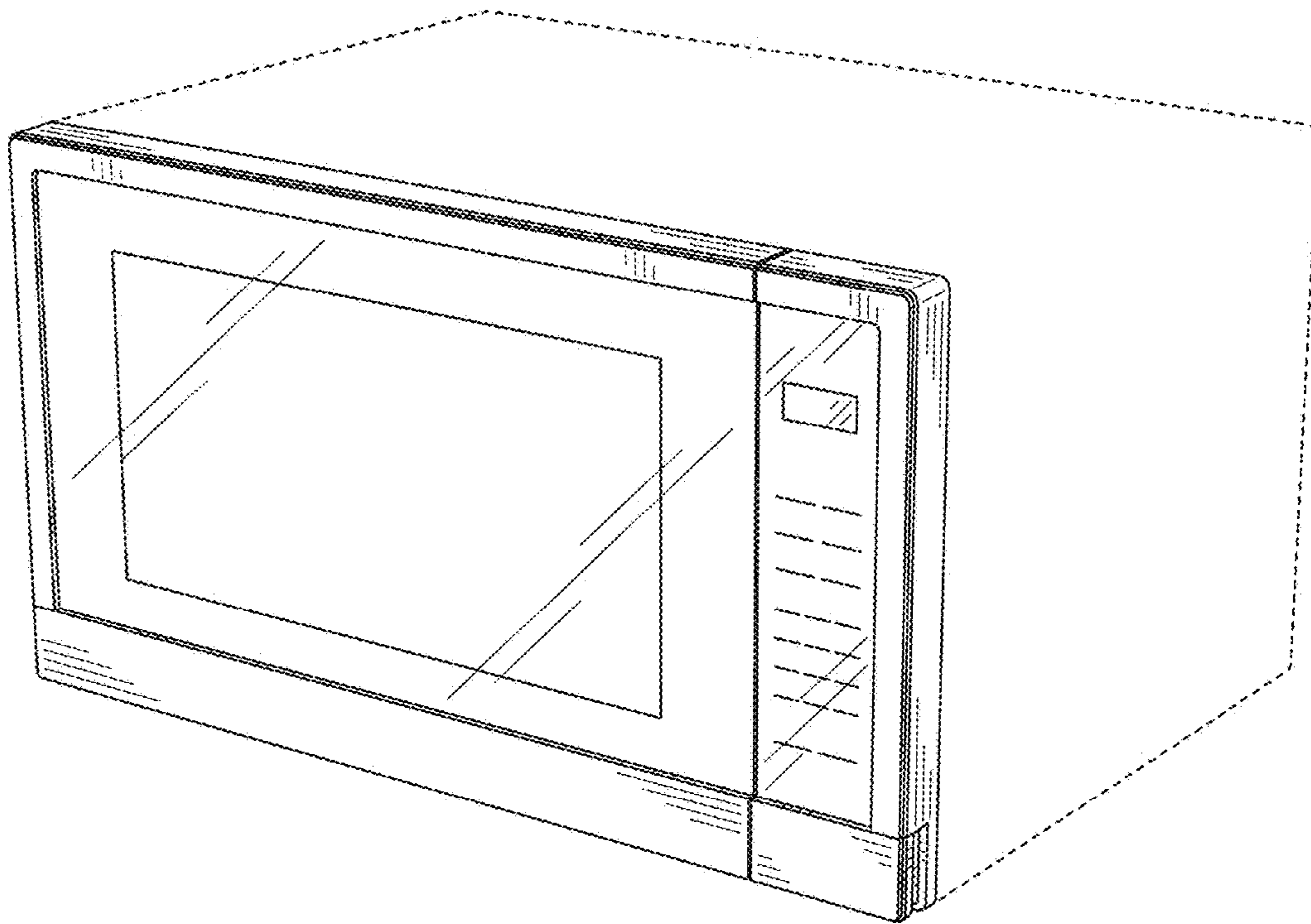


FIG. 2

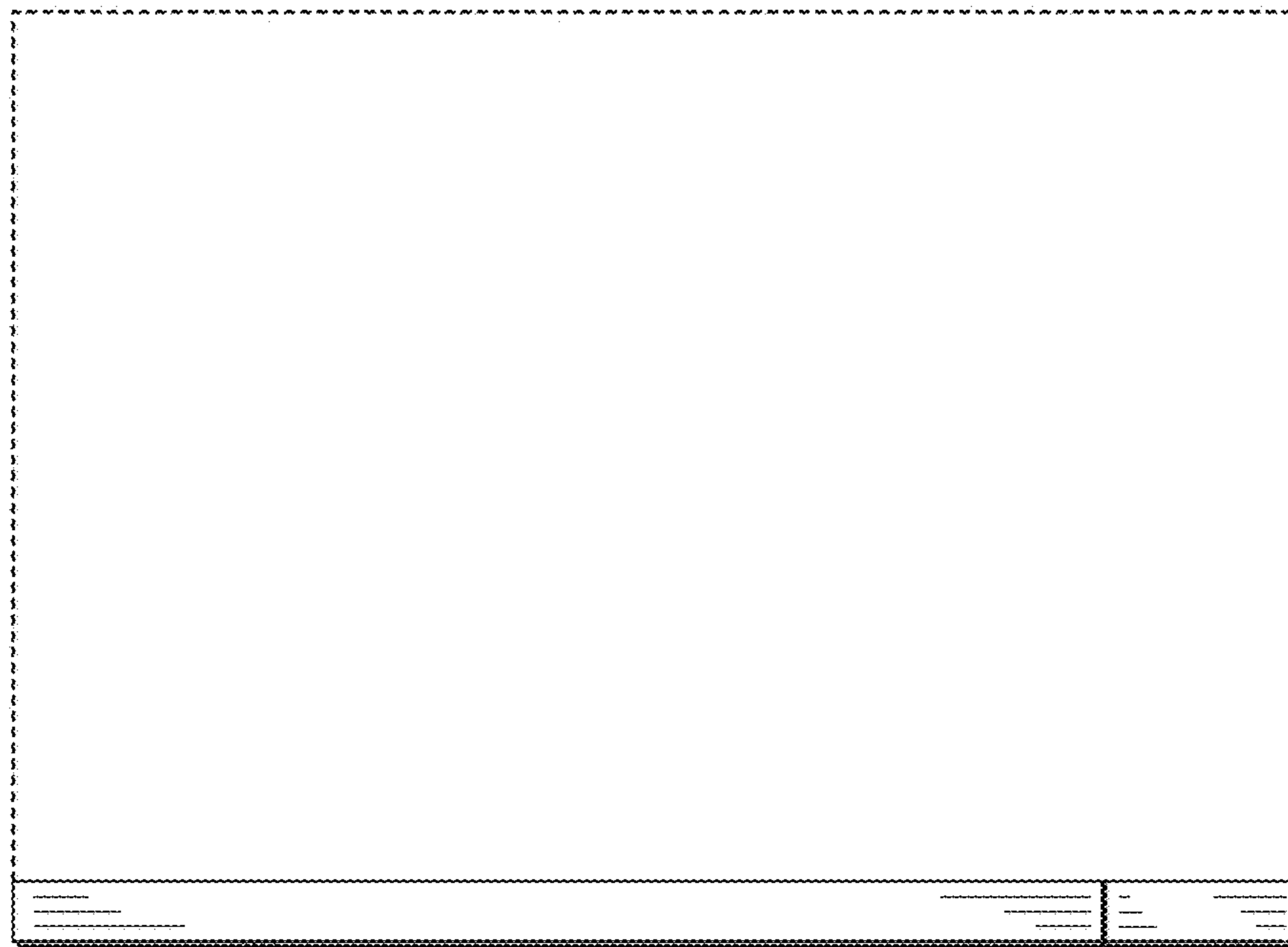


FIG. 3

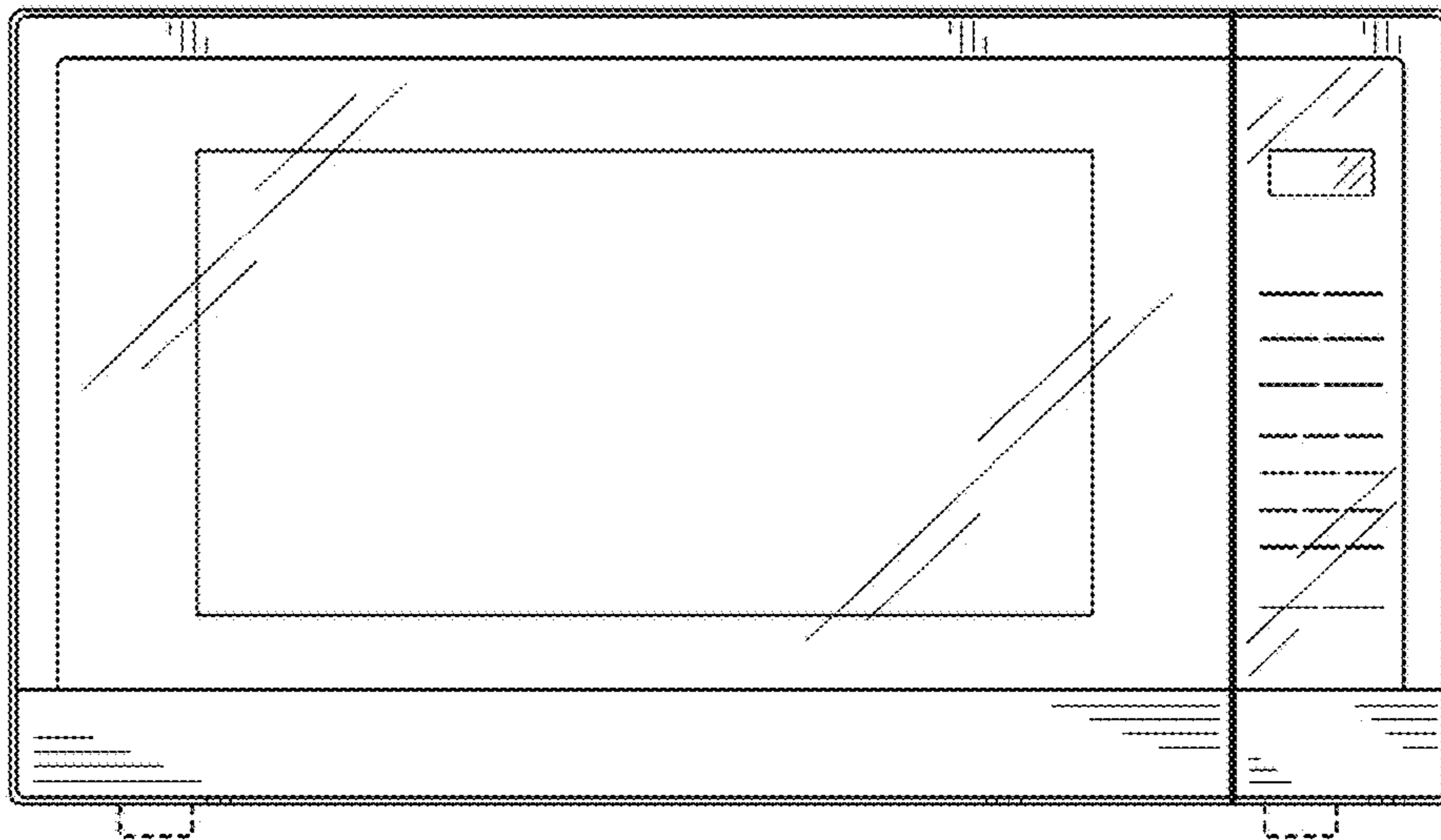


FIG. 4

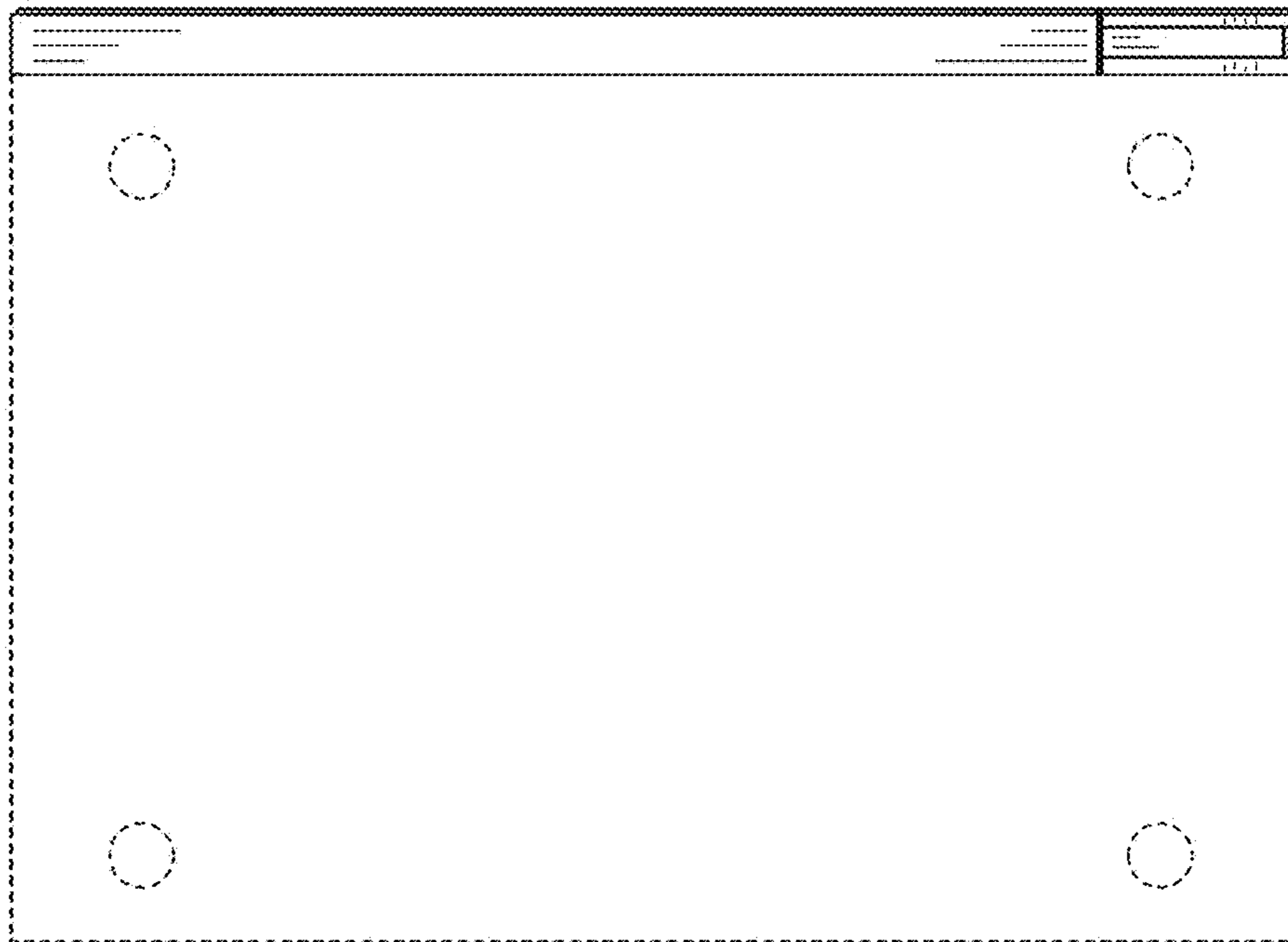


FIG. 5



FIG. 6

