



US00D862980S

(12) **United States Design Patent** (10) **Patent No.:** **US D862,980 S**
Cardano et al. (45) **Date of Patent:** **** Oct. 15, 2019**

(54) **CRISP EMITTER**

(71) Applicant: **WHIRLPOOL CORPORATION**,
Benton Harbor, MI (US)

(72) Inventors: **Fabio Cardano**, Galliate (IT); **Lin Ge**,
Shenzhen (CN); **Charles Tat Kan Lai**,
Kowloon (HK); **Kyle A. Walters**,
Benton Harbor, MI (US); **Tie He Yang**,
Shenzhen (CN)

(73) Assignee: **Whirlpool Corporation**, Benton
Harbor, MI (US)

(**) Term: **15 Years**

(21) Appl. No.: **29/621,977**

(22) Filed: **Oct. 12, 2017**

(51) **LOC (12) Cl.** **07-02**

(52) **U.S. Cl.**
USPC **D7/402**

(58) **Field of Classification Search**
USPC D7/402-409, 332, 337, 339-341,
D7/346-349, 350.1-351, 362-363, 323,
D7/550.1, 552.1, 554.3, 554.4; D8/315,
D8/300
CPC A47J 37/0786; F24C 15/16; F24C 3/082;
F24C 3/085; F24C 7/083
See application file for complete search history.

(56) **References Cited**

U.S. PATENT DOCUMENTS

D274,113 S *	6/1984	Steinkamp	D7/352
D434,634 S *	12/2000	Korn	D3/318
D525,819 S *	8/2006	Chung	D7/337
D551,056 S *	9/2007	Ricereto	D8/317
D589,749 S *	4/2009	Leavens	D7/407

(Continued)

Primary Examiner — Sheryl Lane

Assistant Examiner — Nicole C Shiflet

(74) *Attorney, Agent, or Firm* — Price Heneveld LLP

(57) **CLAIM**

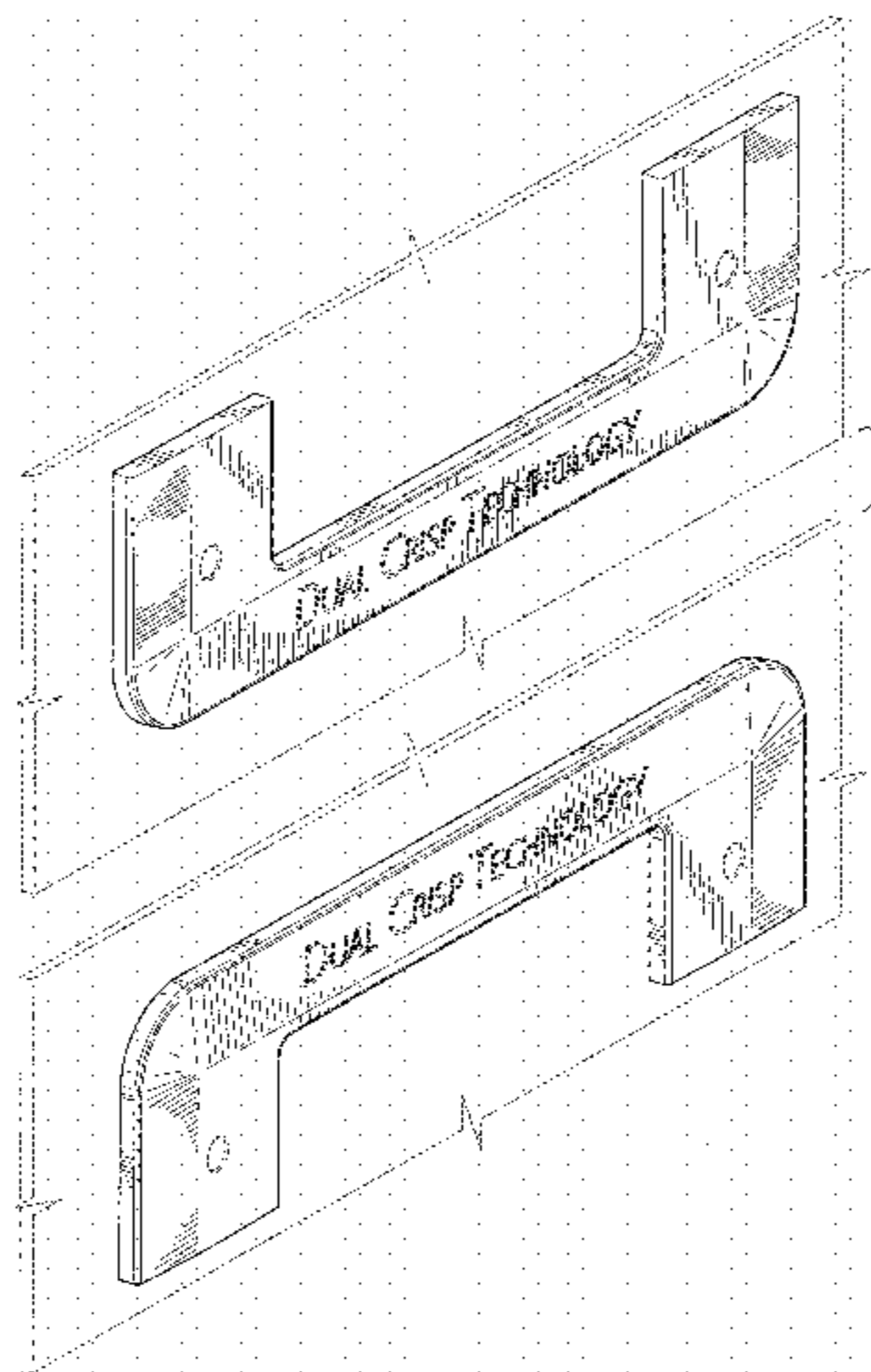
We claim the ornamental design for a crisp emitter, as shown and described.

DESCRIPTION

FIG. 1 is a front perspective view of one embodiment of a crisp emitter of the present disclosure; FIG. 2 is a front elevational view of the crisp emitter of FIG. 1; FIG. 3 is a rear elevational view of the crisp emitter of FIG. 1; FIG. 4 is a first side elevational view of the crisp emitter of FIG. 1; FIG. 5 is a second side elevational view of the crisp emitter of FIG. 1; FIG. 6 is a top plan view of the crisp emitter of FIG. 1; FIG. 7 is a bottom plan view of the crisp emitter of FIG. 1; FIG. 8 is a front perspective view of another embodiment of a crisp emitter of the present disclosure; FIG. 9 is a front elevational view of the crisp emitter of FIG. 8; FIG. 10 is a rear elevational view of the crisp emitter of FIG. 8; FIG. 11 is a first side elevational view of the crisp emitter of FIG. 8; FIG. 12 is a second side elevational view of the crisp emitter of FIG. 8; FIG. 13 is a top plan view of the crisp emitter of FIG. 8; and, FIG. 14 is a bottom plan view of the crisp emitter of FIG. 8. The broken lines depict portions of the article that form no part of the claimed design.

Separated portions of the crisp emitter that are connected by a bracket indicate that any portion of the article between the broken lines form no part of the claim design. The brackets form no part of the claimed design.

1 Claim, 10 Drawing Sheets



(56)

References Cited

U.S. PATENT DOCUMENTS

D597,396 S *	8/2009	Menzies	D8/315
D618,056 S *	6/2010	Sly	D7/376
D699,513 S *	2/2014	Roper	D7/407
D741,139 S *	10/2015	Sheppard	D8/319
D745,804 S *	12/2015	Baacke	D7/402
D758,798 S *	6/2016	Hunt	D7/352
D826,686 S *	8/2018	Kim	D8/315

* cited by examiner

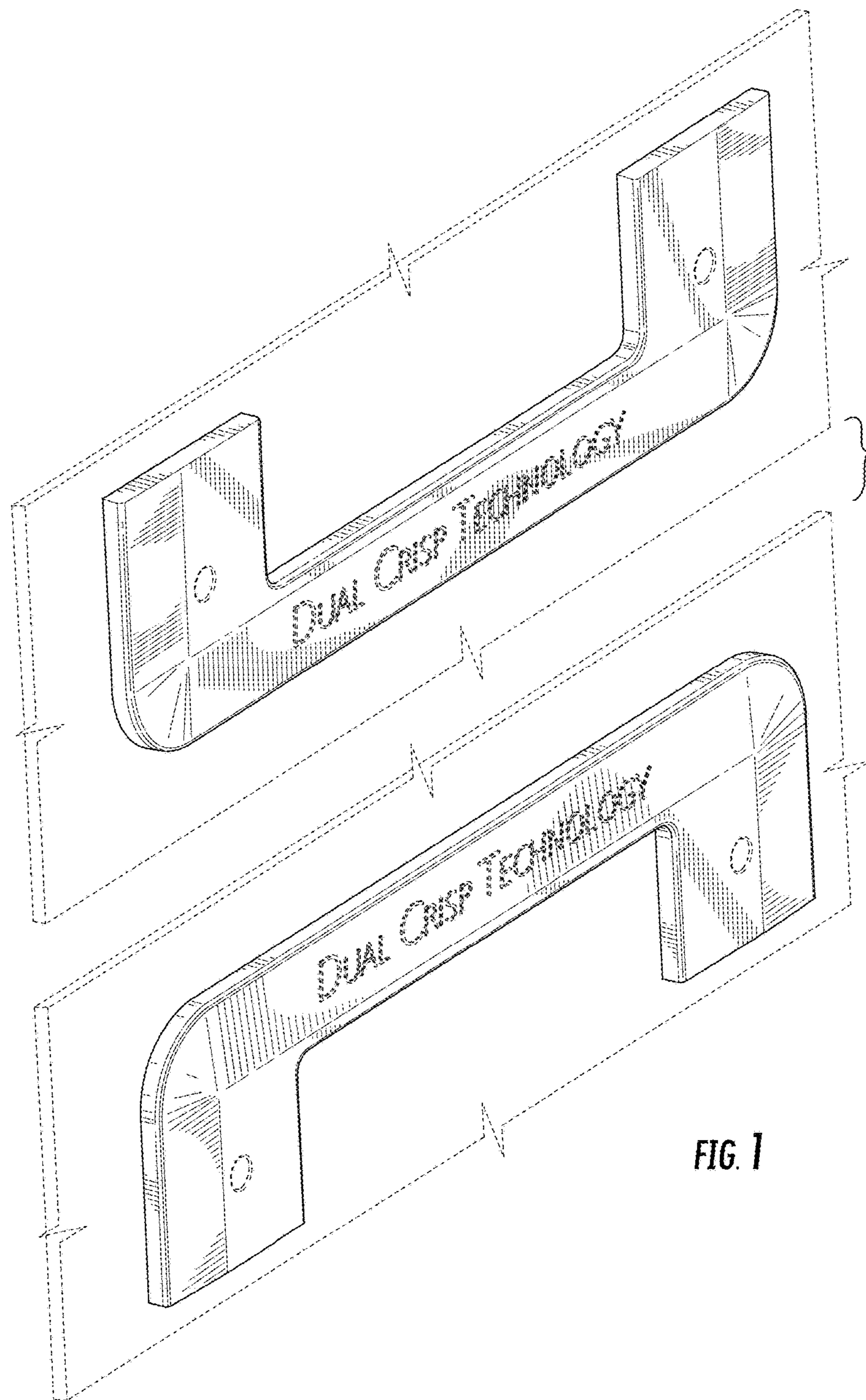


FIG. 1

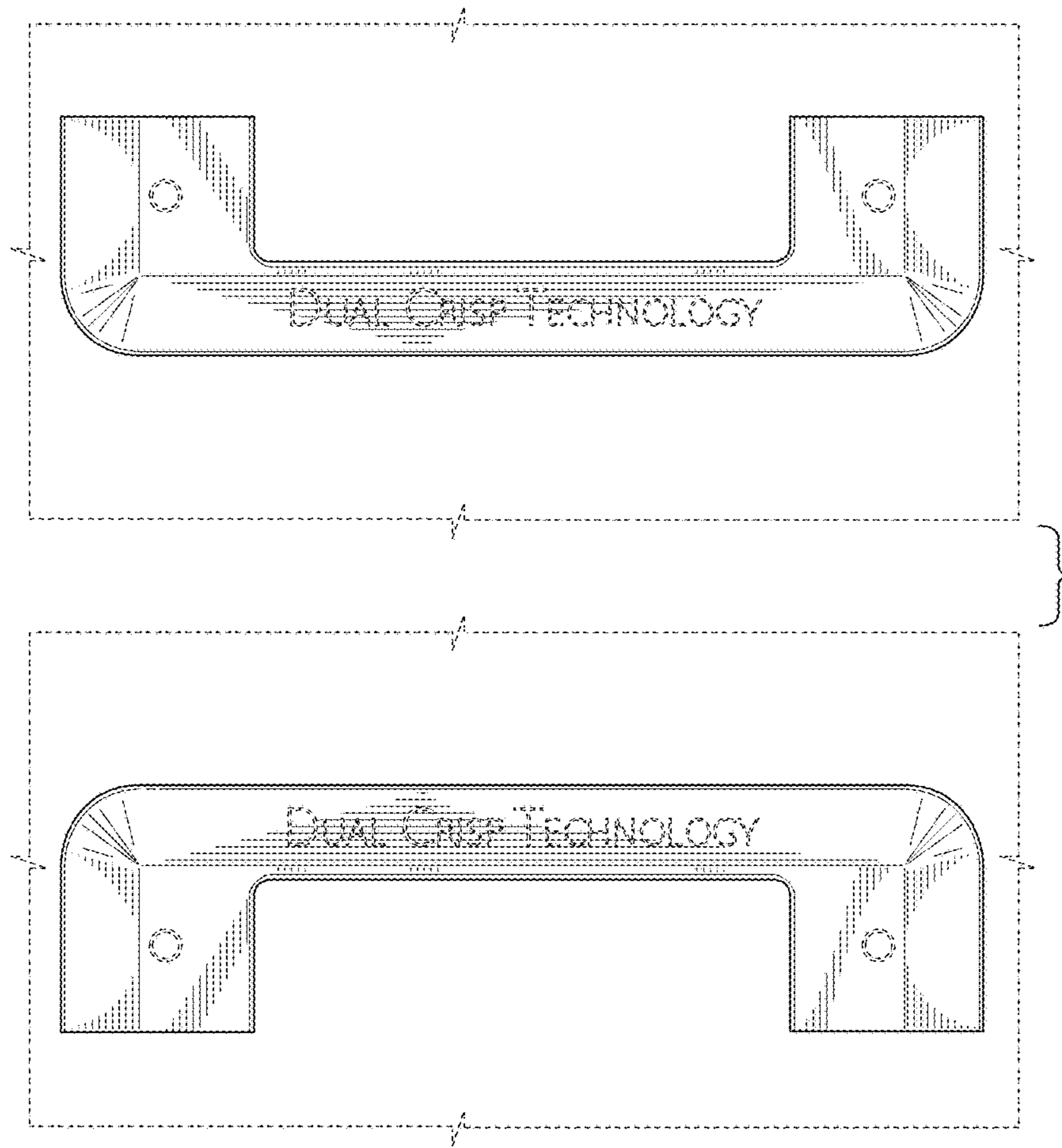


FIG. 2

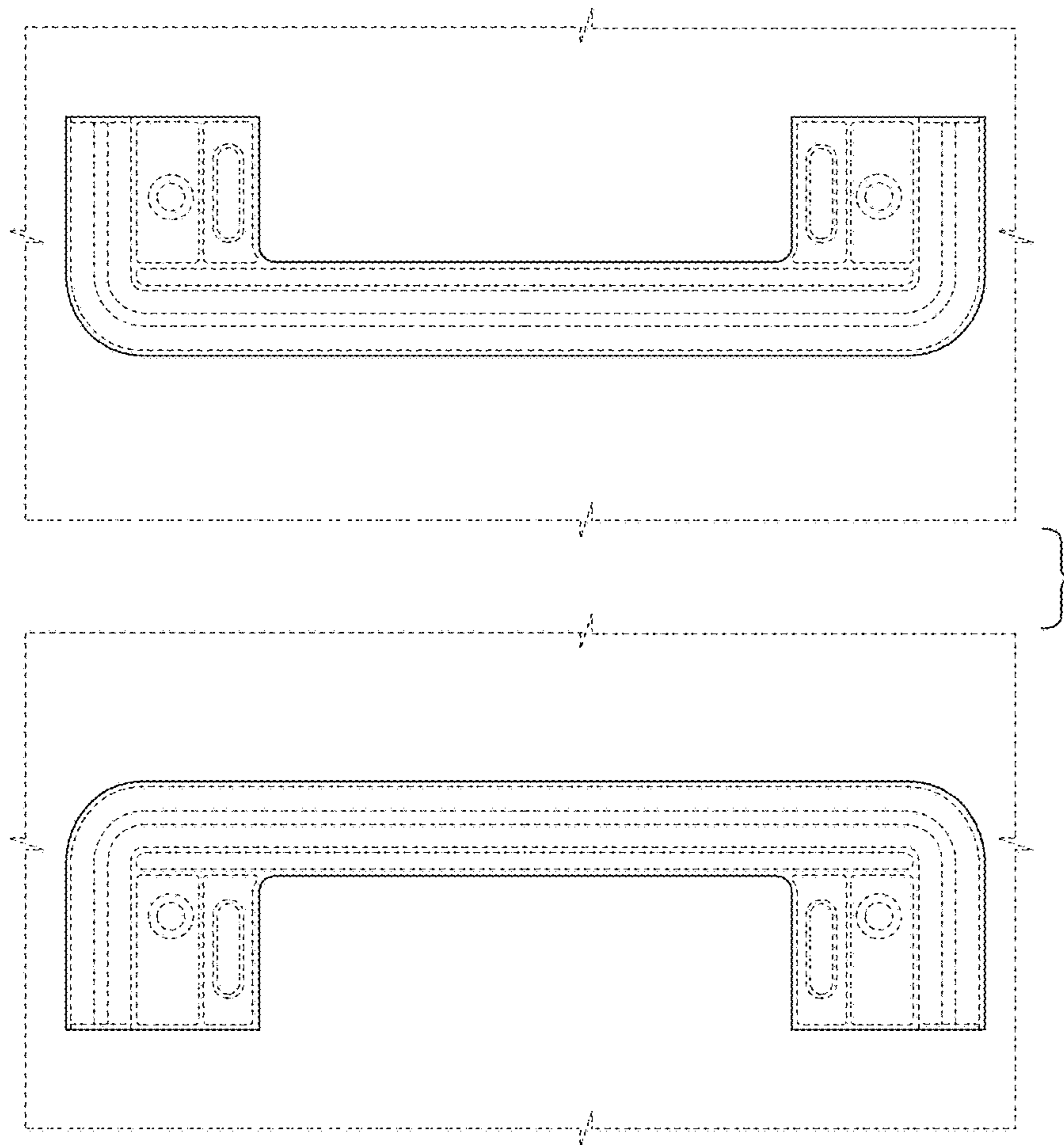


FIG. 3



FIG. 4



FIG. 5

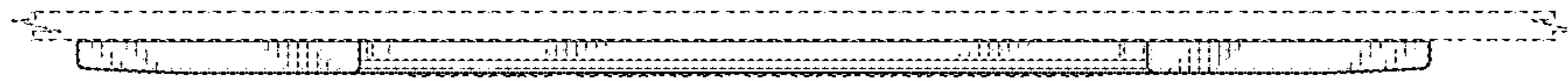


FIG. 6

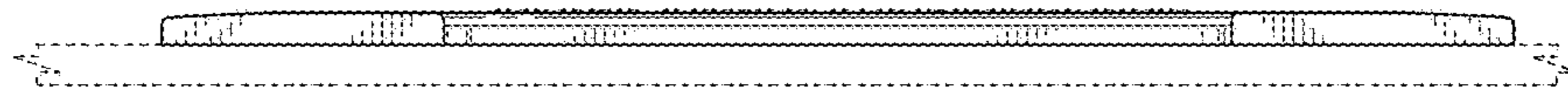
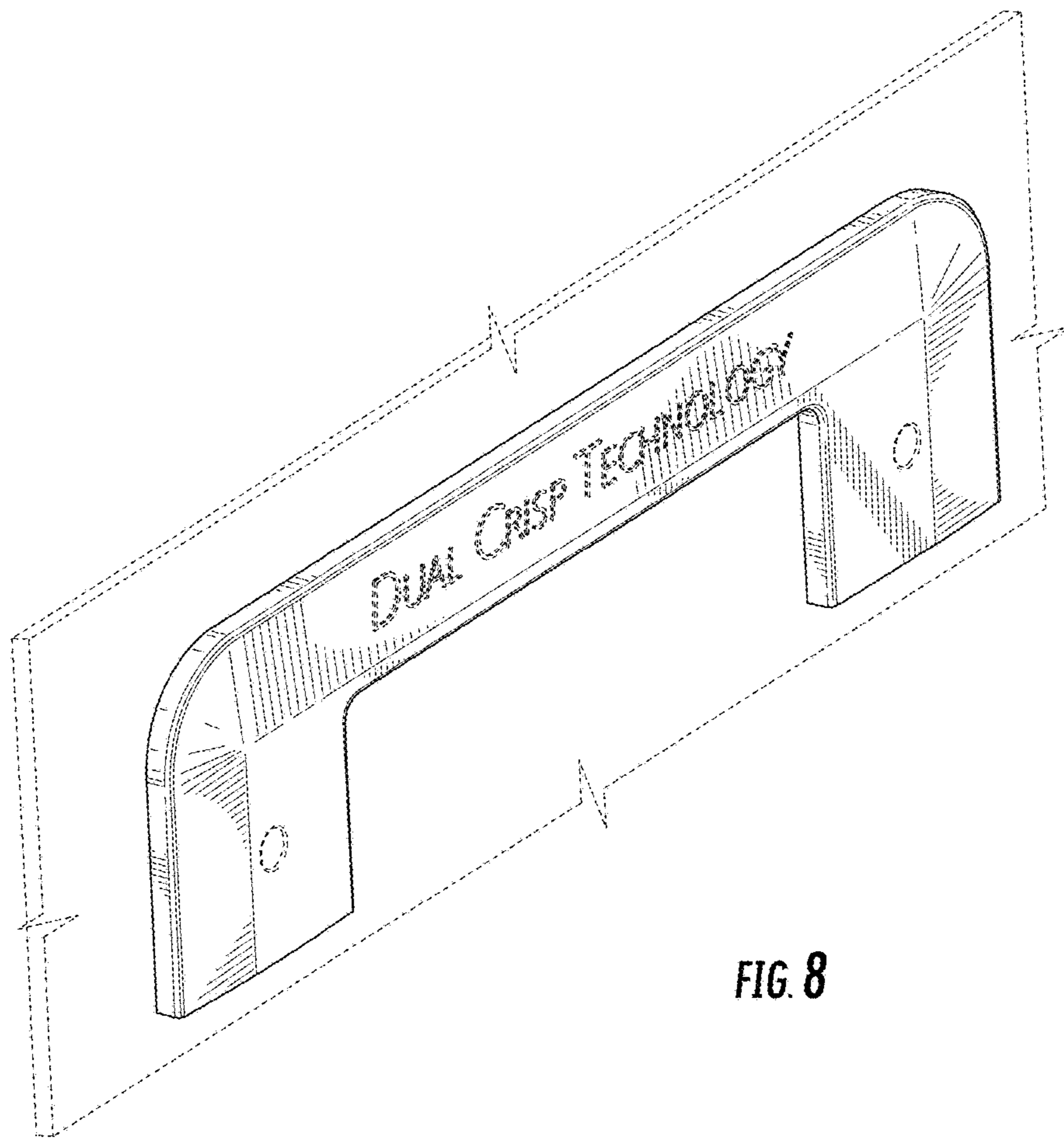


FIG. 7



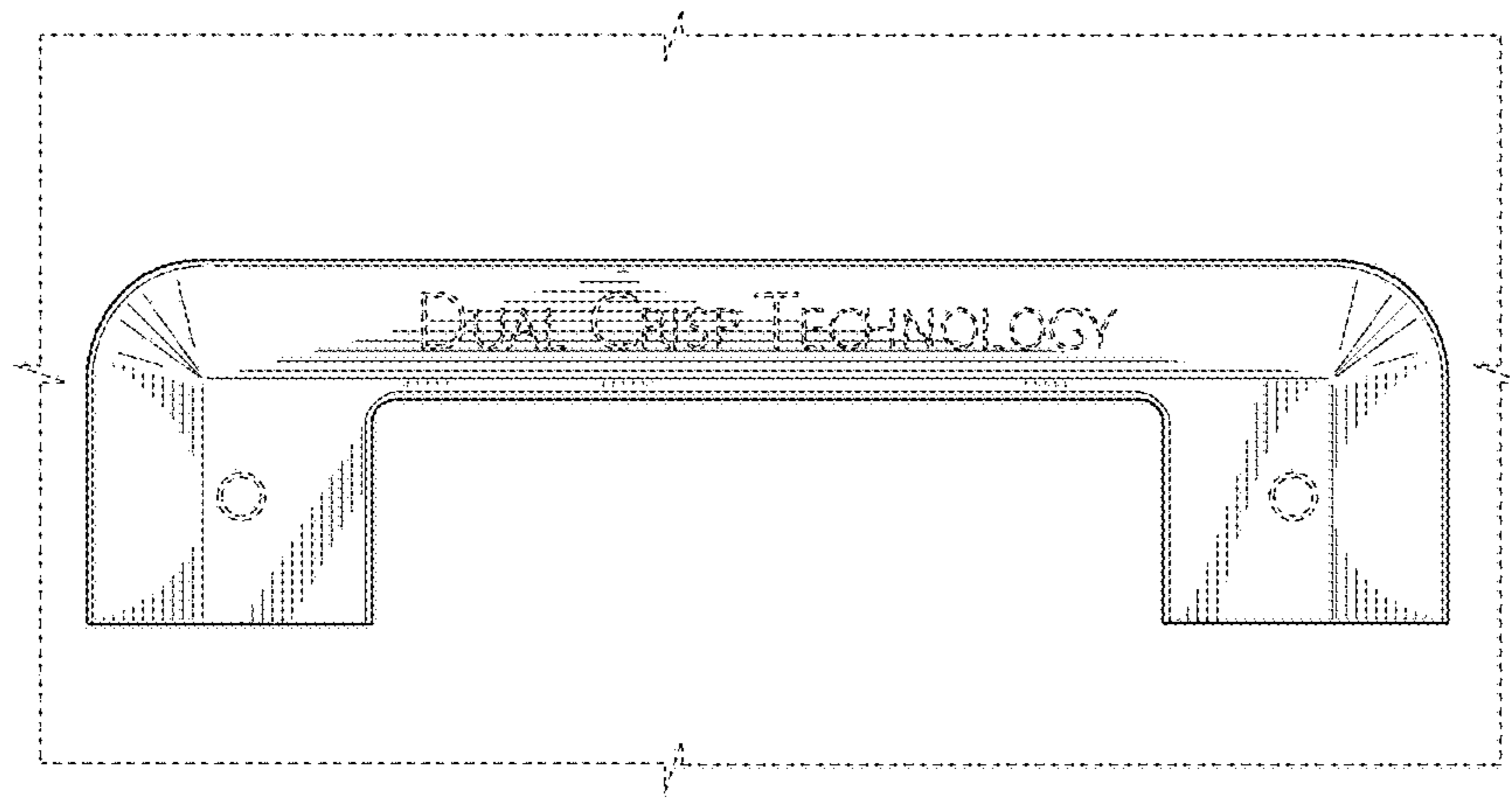


FIG. 9

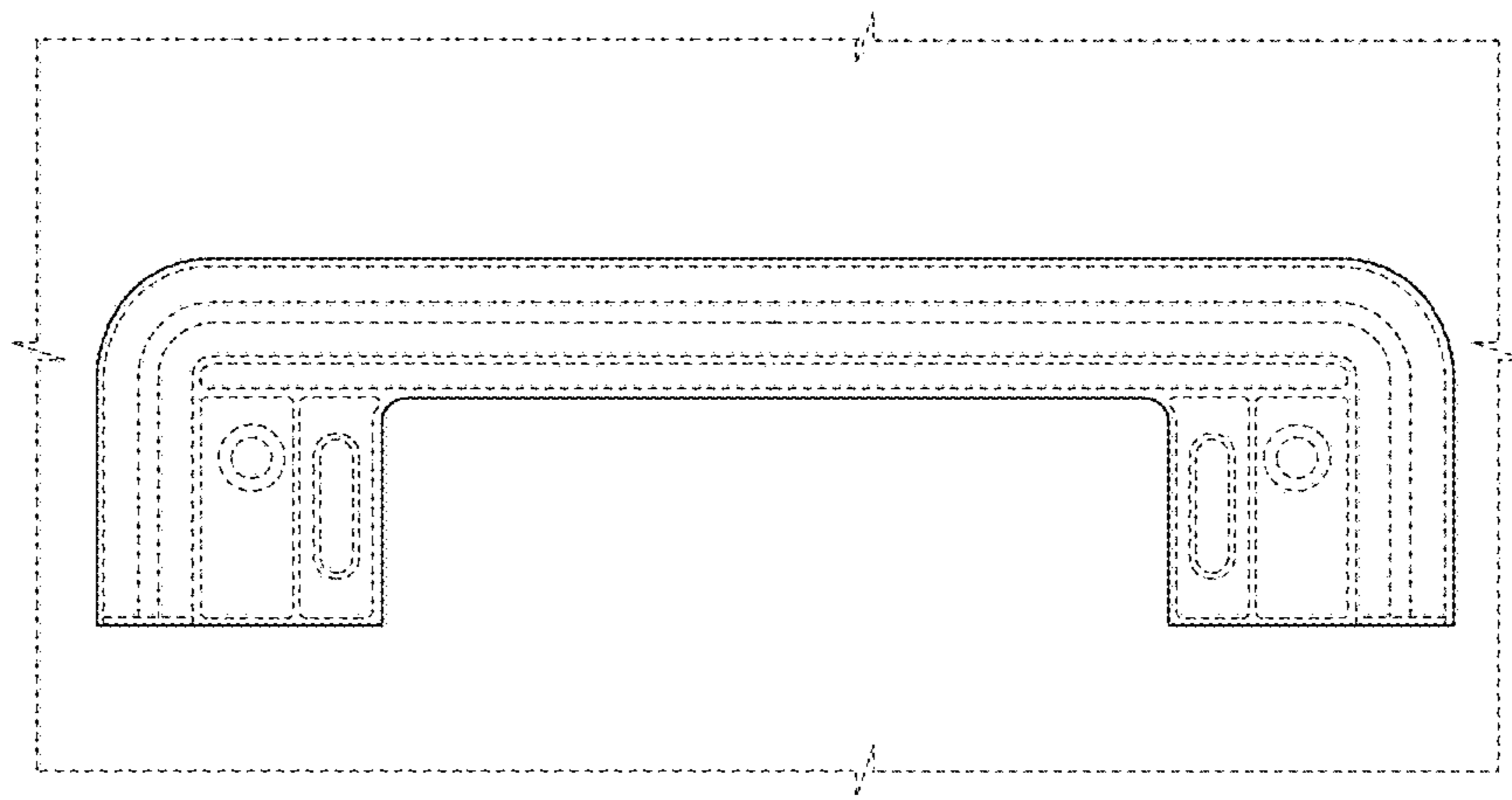


FIG. 10

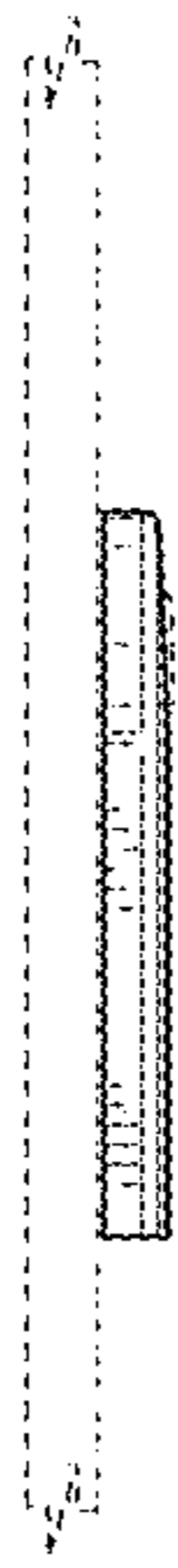


FIG. 11



FIG. 12

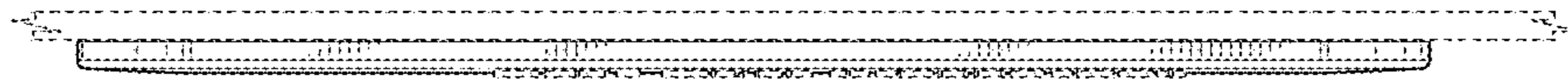


FIG. 13

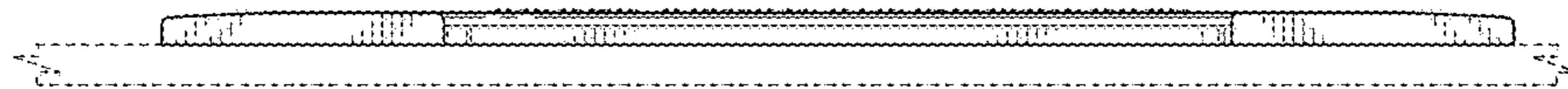


FIG. 14