

US00D862979S

(12) **United States Design Patent**  
**Bryson**

(10) **Patent No.:** **US D862,979 S**

(45) **Date of Patent:** **\*\* Oct. 15, 2019**

(54) **TALL BASE FOR FUEL PUMP BEVERAGE DISPENSER**

D801,286 S \* 10/2017 Karlsson ..... D13/156  
D837,706 S \* 1/2019 Hara ..... D12/194  
2004/0262851 A1\* 12/2004 Tones ..... F16L 23/18  
277/602

(71) Applicant: **John Patrick Bryson**, Sylva, NC (US)

\* cited by examiner

(72) Inventor: **John Patrick Bryson**, Sylva, NC (US)

*Primary Examiner* — Derrick E Holland

(\*\*) Term: **15 Years**

*Assistant Examiner* — Andrew Kerr

(21) Appl. No.: **29/649,849**

(74) *Attorney, Agent, or Firm* — Michael D. Eisenberg

(22) Filed: **Jun. 1, 2018**

(57) **CLAIM**

(51) **LOC (12) Cl.** ..... **07-99**

The ornamental design for a tall base for fuel pump beverage dispenser, as shown and described.

(52) **U.S. Cl.**

**DESCRIPTION**

USPC ..... **D7/397**; D23/206; D15/7

(58) **Field of Classification Search**

USPC ..... D7/387, 397-400; D15/7, 9, 9.1;

D23/200, 206, 259, 266, 386, 421

CPC ..... B29D 23/001; F16L 37/24; F16L 37/252;

F16L 9/00; F16L 9/02

See application file for complete search history.

FIG. 1 is a perspective view of a tall base for fuel pump beverage dispenser, showing my new design; FIG. 2 is a top plan view thereof; FIG. 3 is a bottom plan view thereof; FIG. 4 is a front elevation view thereof; FIG. 5 is a right side elevation view thereof; FIG. 6 is a rear elevation view thereof; FIG. 7 is a left side elevation view thereof; and, FIG. 8 is a perspective exploded view thereof.

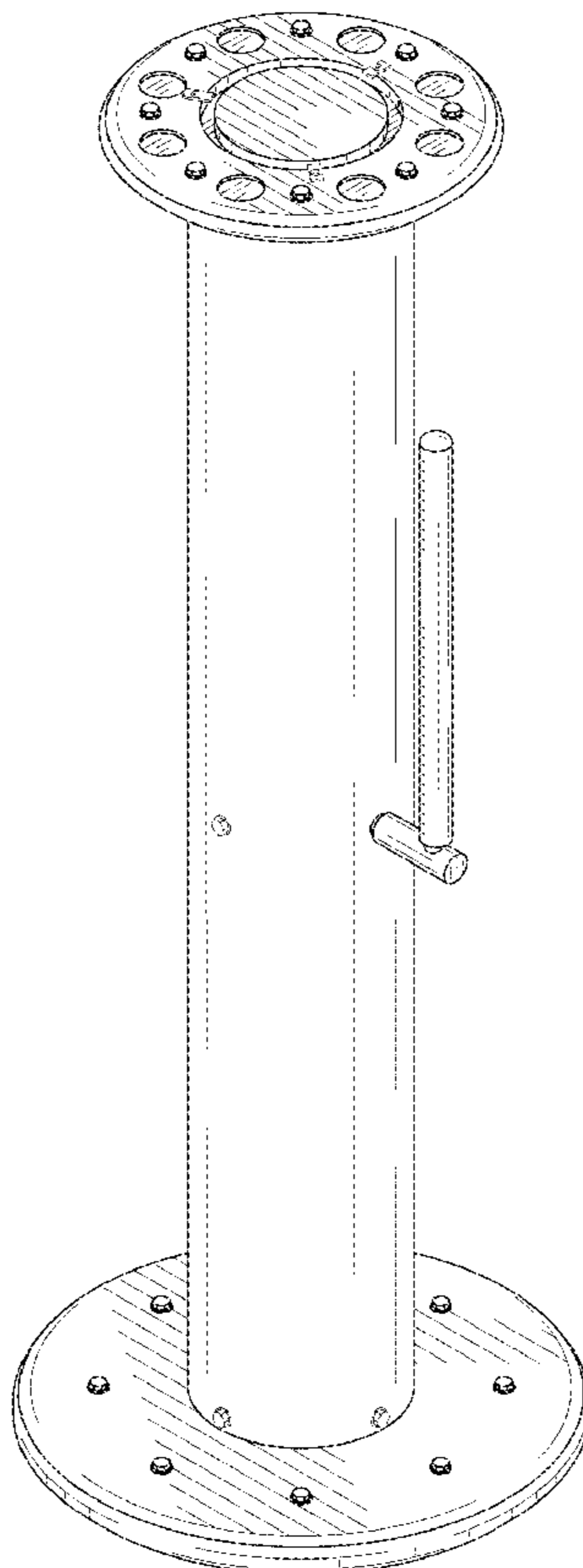
The broken lines showing portions of the tall base for fuel pump beverage dispenser are for the purpose of illustrating environmental structure and form no part of the claimed design.

(56) **References Cited**

**U.S. PATENT DOCUMENTS**

6,231,051 B1 \* 5/2001 Mueller ..... H02G 15/013  
174/21 R  
D637,209 S \* 5/2011 Wessol ..... D15/7  
D678,213 S \* 3/2013 Karlsson ..... D13/156  
D769,331 S \* 10/2016 Park ..... D15/7  
D773,017 S \* 11/2016 Schulze ..... D23/266

**1 Claim, 4 Drawing Sheets**



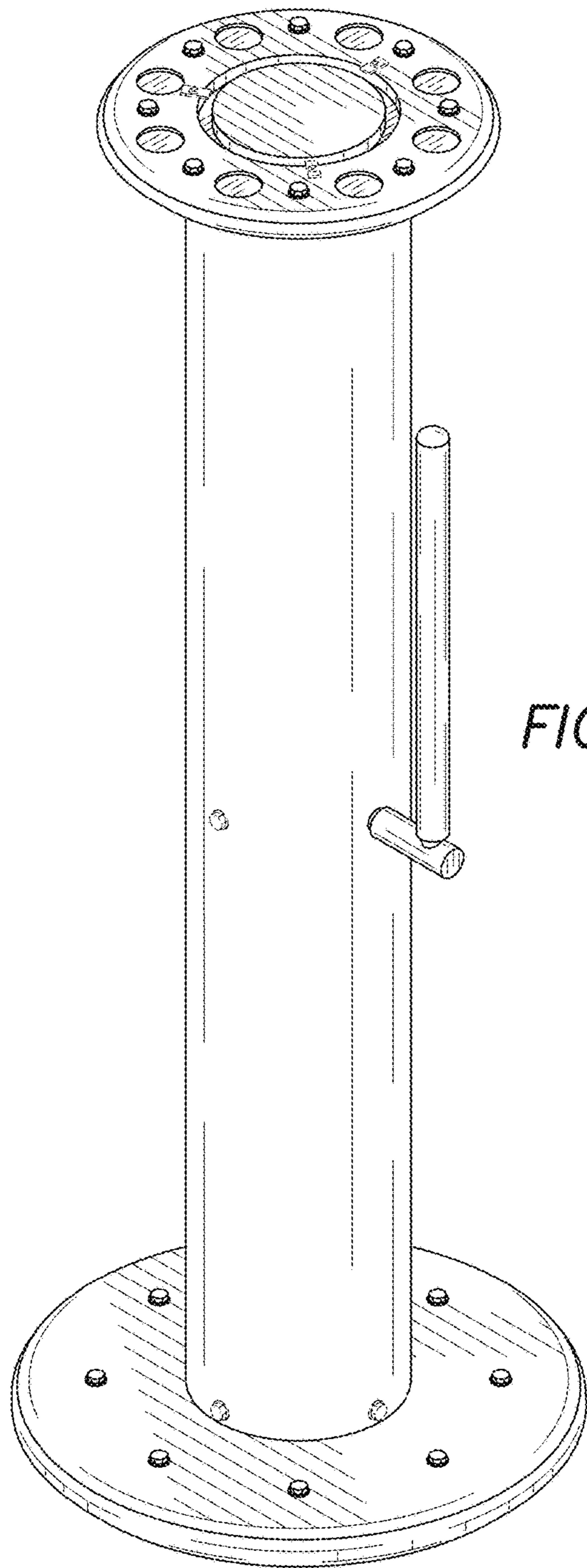


FIG. 1

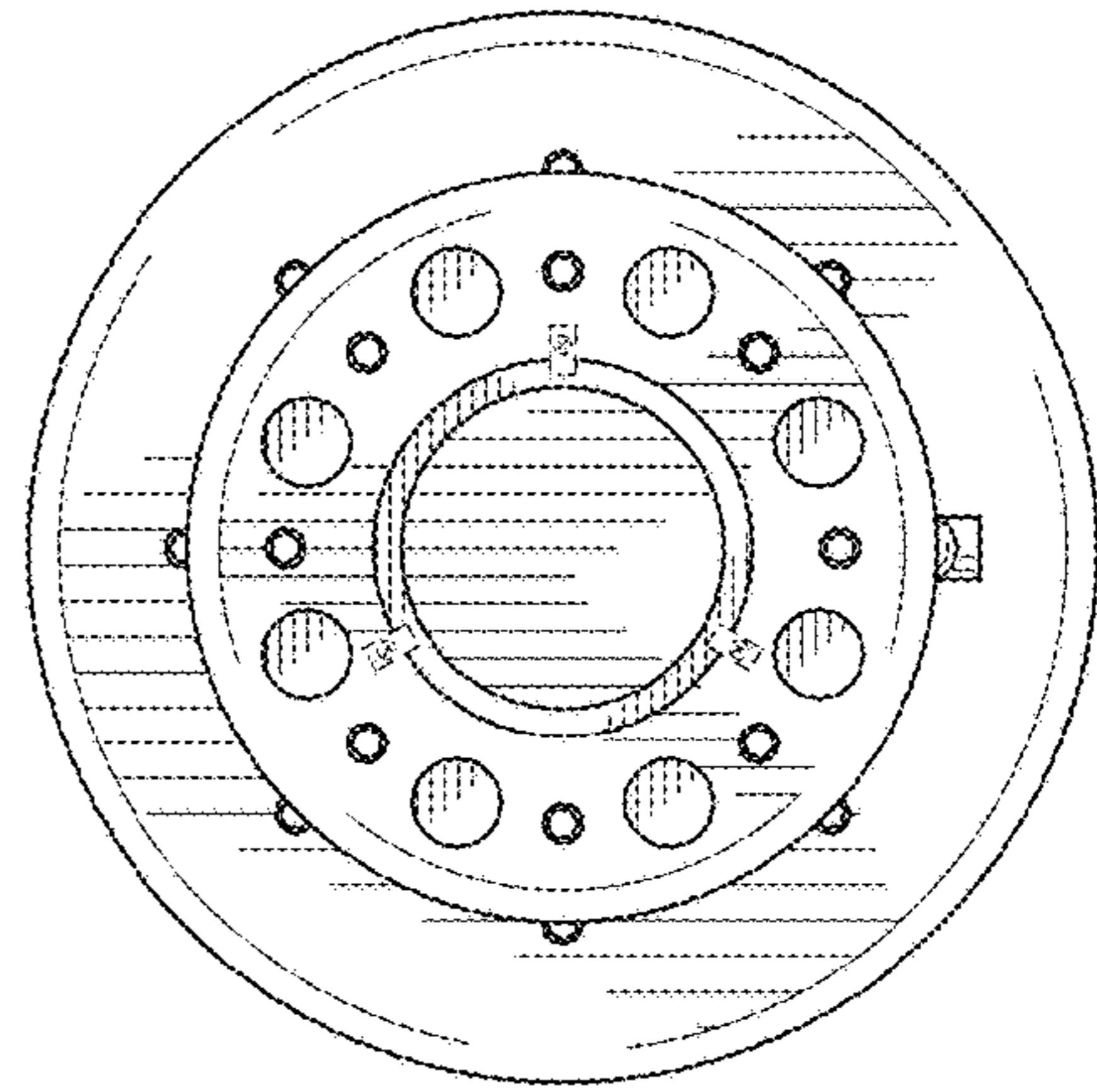


FIG. 2

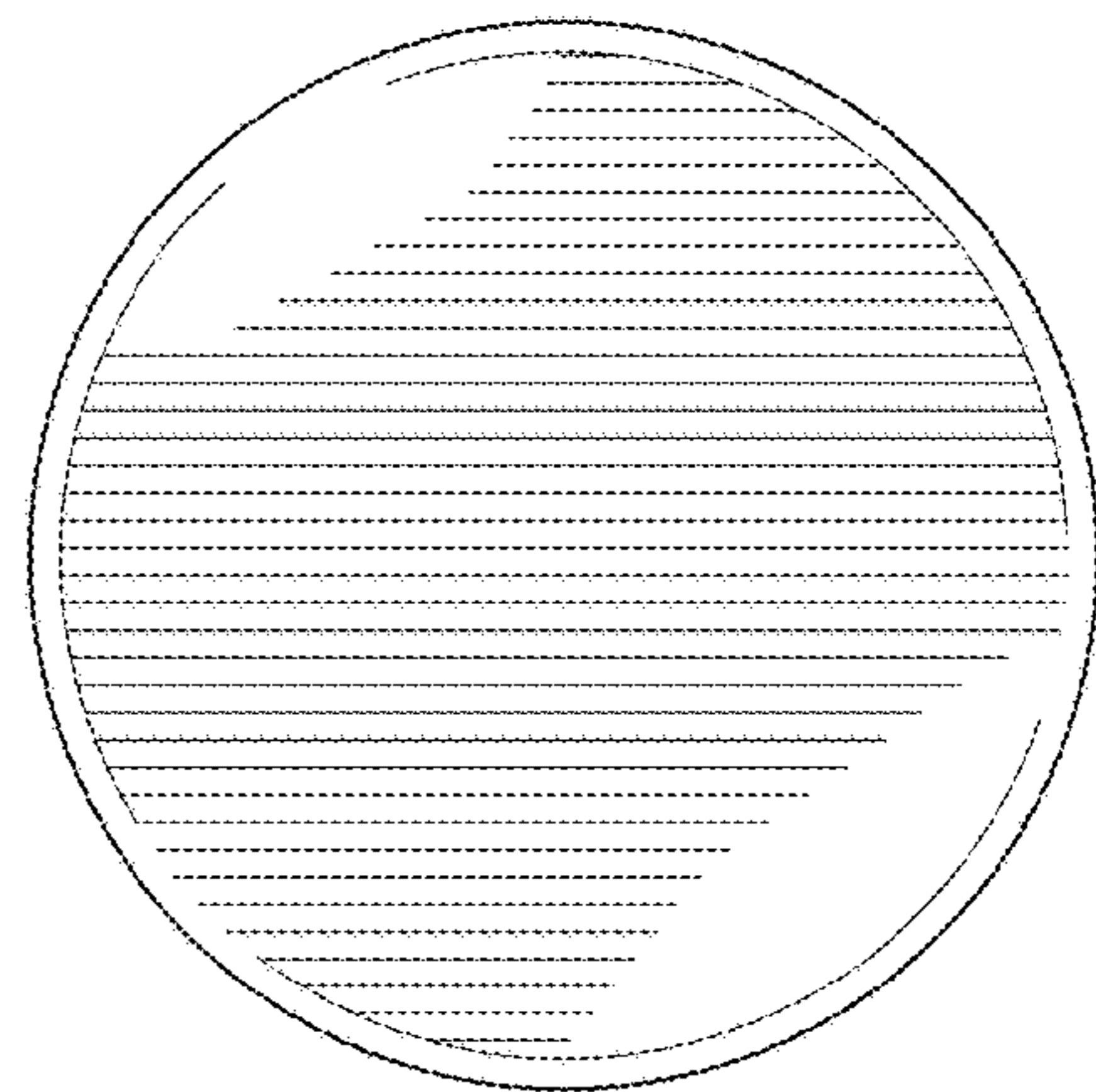


FIG. 3

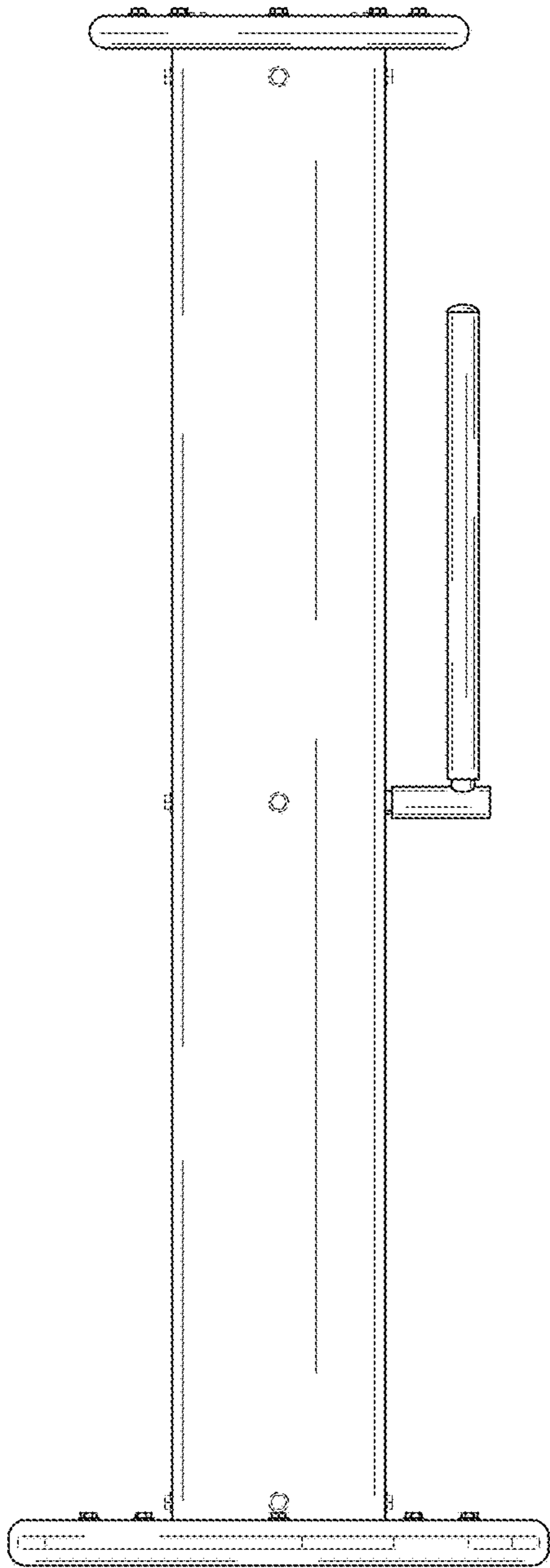


FIG. 4

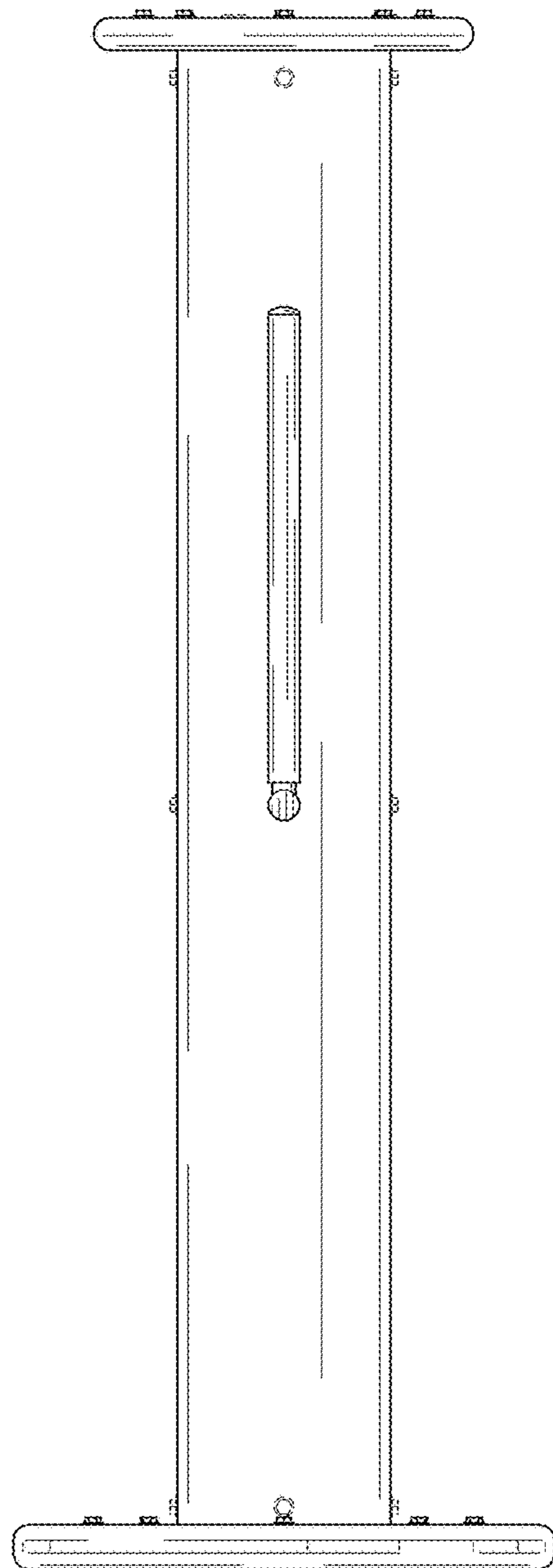


FIG. 5

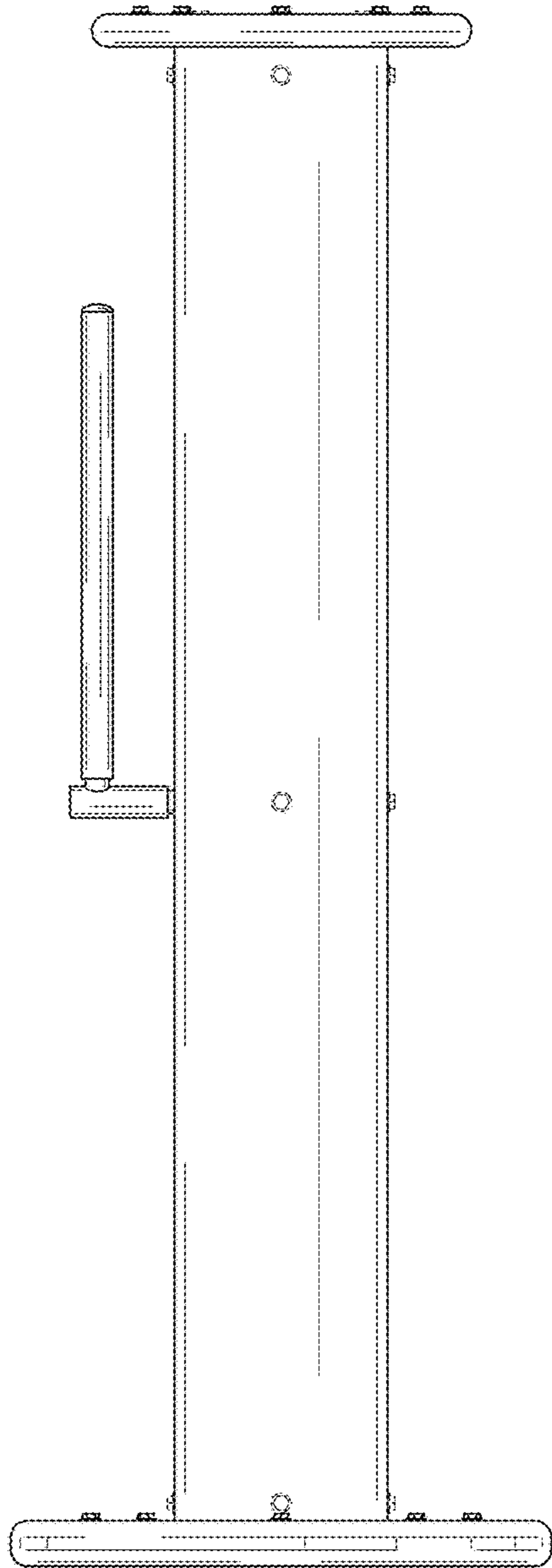


FIG. 6

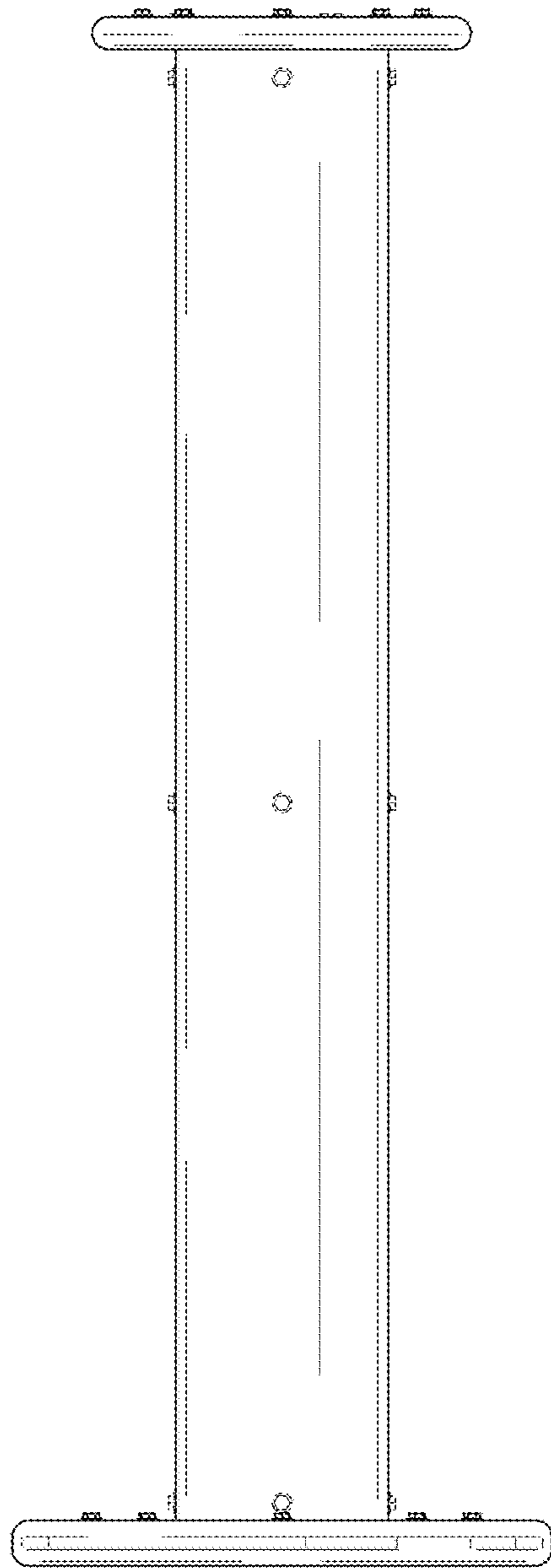


FIG. 7

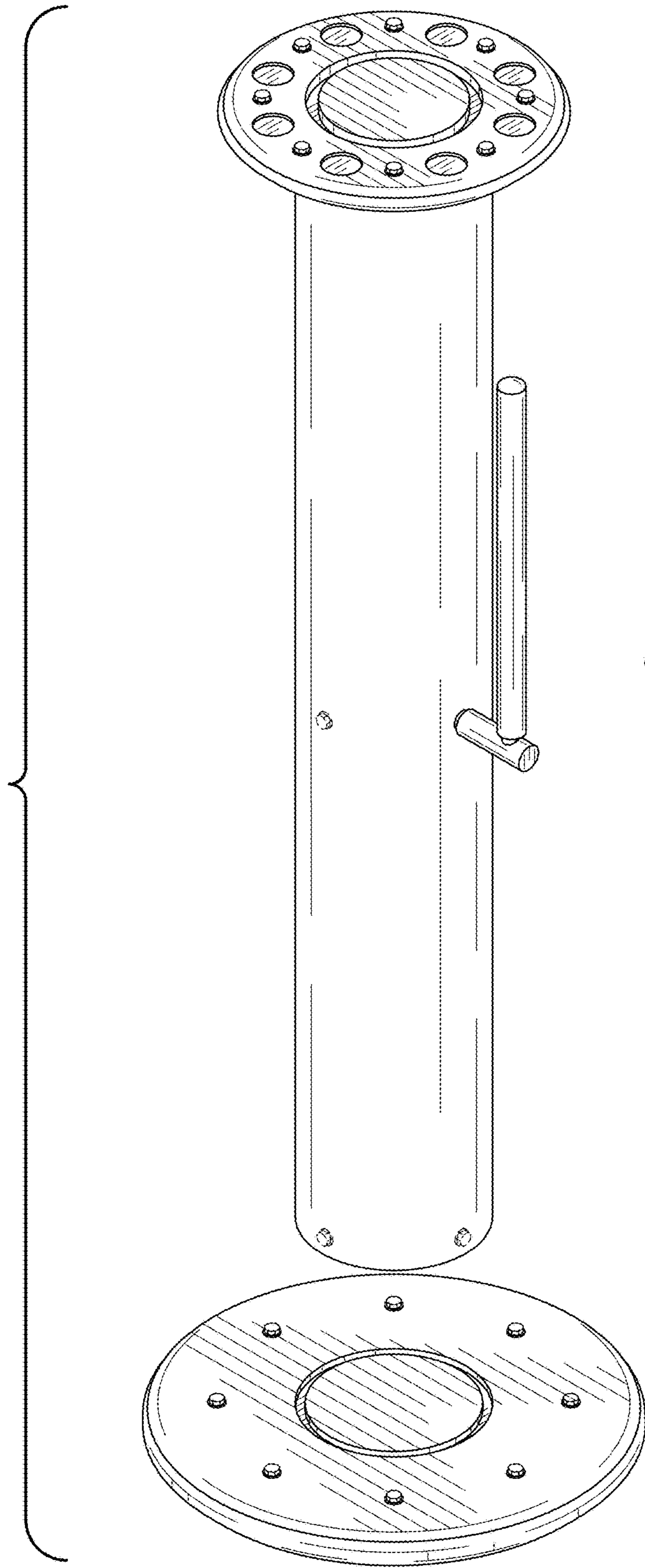


FIG. 8