

US00D862977S

(12) **United States Design Patent** (10) **Patent No.:** **US D862,977 S**
Bohman et al. (45) **Date of Patent:** **** Oct. 15, 2019**

(54) **LID FOR A BEVERAGE CONTAINER**

D375,019 S 10/1996 Goto et al.
D390,462 S * 2/1998 Mao D9/435
D403,079 S 12/1998 Pawlak et al.
5,909,821 A 6/1999 Guridi
D415,651 S 10/1999 Trombly
6,059,140 A 5/2000 Hicks
D429,118 S 8/2000 Hurlbut
(Continued)

(71) Applicant: **OTTER PRODUCTS, LLC**, Fort Collins, CO (US)

(72) Inventors: **David J. Bohman**, Fort Collins, CO (US); **Ross V. Bulkley**, Loveland, CO (US)

(73) Assignee: **Otter Products, LLC**, Fort Collins, CO (US)

(**) Term: **15 Years**

(21) Appl. No.: **29/632,511**

(22) Filed: **Jan. 8, 2018**

(51) **LOC (12) Cl.** **07-99**

(52) **U.S. Cl.**
USPC **D7/392; D7/392.1**

(58) **Field of Classification Search**
USPC **D7/392, 392.1; D9/452, 453, 454, 435, D9/447, 449**
CPC **A47G 21/18; A61J 7/0038; B65D 2517/0049**
See application file for complete search history.

(56) **References Cited**

U.S. PATENT DOCUMENTS

2,608,841 A * 9/1952 Rice A47G 19/2272 215/11.5
2,754,866 A * 7/1956 Coltman, Jr. B65D 47/0895 220/254.3
2,957,596 A 10/1960 Rehborg
3,312,366 A * 4/1967 Paris B65D 51/246 141/381
4,518,639 A 5/1985 Phillips
D282,234 S 1/1986 Henderson
D282,897 S 3/1986 Conti et al.
D287,919 S 1/1987 Clements
D321,628 S 11/1991 Kobayashi et al.
D346,718 S * 5/1994 Timmermans D7/391
D371,304 S 7/1996 Onneweer

FOREIGN PATENT DOCUMENTS

EP 2555658 A1 2/2013

OTHER PUBLICATIONS

US D775,903 S, 01/2017, Seiders et al. (withdrawn)
(Continued)

Primary Examiner — Karen S Acker
Assistant Examiner — Steven B Reinholdt, Jr.

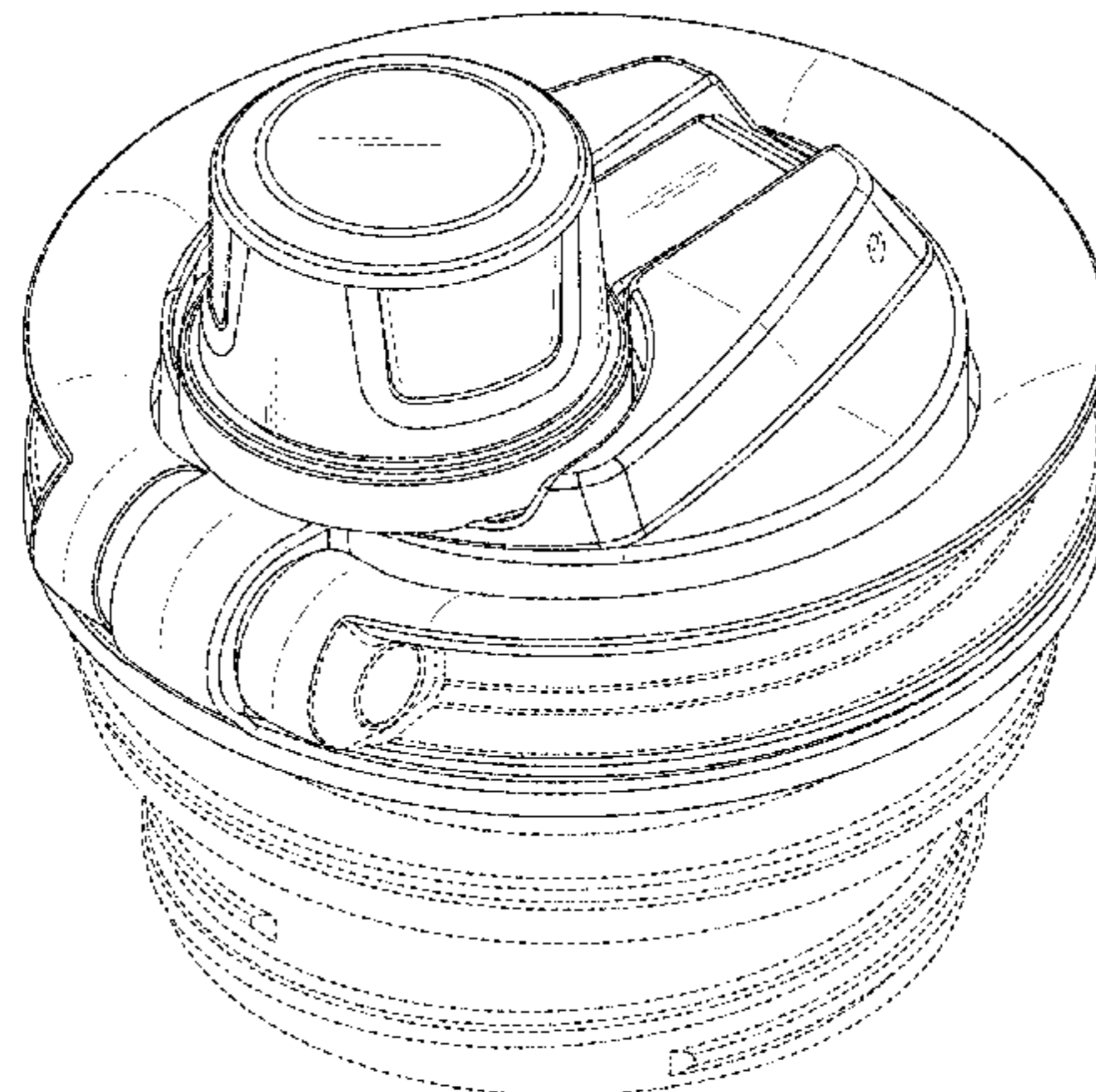
(57) **CLAIM**

The ornamental design for a lid for a beverage container, as shown and described.

DESCRIPTION

FIG. 1 is a front, top perspective view of a lid for a beverage container showing our new design;
FIG. 2 is a front, bottom perspective view thereof;
FIG. 3 is a front view thereof;
FIG. 4 is a rear view thereof;
FIG. 5 is a left view thereof;
FIG. 6 is a right view thereof;
FIG. 7 is a top view thereof; and,
FIG. 8 is a bottom view thereof.
The dash-dash broken lines throughout the drawing figures depict portions of the lid for a beverage container that form no part of the claimed design. The broken lines and unshaded surfaces bounded by broken lines form no part of the claimed design.

1 Claim, 8 Drawing Sheets



(56)

References Cited

U.S. PATENT DOCUMENTS

D441,288 S	5/2001	Pillers et al.	
D450,583 S	11/2001	Freed	
D450,982 S	11/2001	Gaze et al.	
6,324,966 B1	12/2001	Joergensen	
D455,052 S	4/2002	Gullickson et al.	
D455,612 S	4/2002	Gullickson et al.	
D476,859 S	7/2003	Short	
D479,800 S	9/2003	McRae	
6,626,326 B2	9/2003	Murakami	
D482,607 S	11/2003	McRae	
D488,960 S	4/2004	Wahl et al.	
6,763,964 B1	7/2004	Hurlbut et al.	
D505,294 S *	5/2005	Gauss	D7/392.1
7,011,227 B2	3/2006	Ward et al.	
D524,909 S	7/2006	Bakke et al.	
D533,032 S	12/2006	Liu et al.	
D547,607 S	7/2007	Forsman	
D547,610 S	7/2007	Edelstein et al.	
D548,012 S	8/2007	Tien	
D564,841 S	3/2008	Clemens et al.	
D570,213 S	6/2008	Newman	
D572,981 S	7/2008	Carreno	
D574,192 S	8/2008	Schösser	
D584,569 S	1/2009	Buchman et al.	
D584,925 S	1/2009	Buchman et al.	
D587,533 S	3/2009	Carreno	
D592,906 S	5/2009	Allen et al.	
7,533,783 B2	5/2009	Choi et al.	
D605,040 S	12/2009	Fry et al.	
D621,257 S	8/2010	Gullickson et al.	
D623,480 S	9/2010	Moran	
D623,481 S	9/2010	Moran	
D623,896 S	9/2010	Wahl et al.	
D626,837 S	11/2010	Meyers et al.	
D628,018 S	11/2010	Gilbert	
D630,093 S	1/2011	Bardet	
D631,284 S	1/2011	Fuller	
D634,160 S *	3/2011	Cetera	D7/510
D639,177 S	6/2011	Pape	
D644,060 S	8/2011	Komeiji	
D644,489 S *	9/2011	Trombly	D7/510
D651,847 S	1/2012	Gilbert	
D651,852 S *	1/2012	George	D7/510
D656,360 S	3/2012	Miller et al.	
D657,196 S	4/2012	Beyers	
D658,006 S	4/2012	Yao	
D659,007 S	5/2012	Pape	
D660,648 S *	5/2012	Gilbert	D7/510
8,191,727 B2	6/2012	Davies et al.	
8,251,247 B1	8/2012	Breckner	
D672,198 S	12/2012	Soltz et al.	
D672,618 S	12/2012	Stamper et al.	
D672,648 S	12/2012	Goto et al.	
D675,059 S	1/2013	Carreno	
D682,034 S	5/2013	El-Saden et al.	
8,469,226 B2	6/2013	Davies et al.	
D686,871 S	7/2013	Lane	
D689,331 S	9/2013	Staton	
D690,556 S *	10/2013	Boroski	D7/510
D690,988 S	10/2013	Audette	
8,602,238 B2	12/2013	El-Saden et al.	
D697,798 S	1/2014	Sorensen et al.	
8,622,237 B2	1/2014	Choi et al.	
D699,996 S	2/2014	Leo	
D700,012 S	2/2014	Hurley et al.	
D700,802 S	3/2014	Miller	
D702,092 S	4/2014	Mettler et al.	
8,695,830 B2	4/2014	Meyers et al.	
D707,124 S	6/2014	Blain et al.	
8,777,048 B2	7/2014	Choi et al.	
D712,254 S	9/2014	Geis et al.	
D712,720 S	9/2014	Seiders	
D712,721 S	9/2014	Seiders	
D712,722 S	9/2014	Seiders	
D712,723 S	9/2014	Seiders	
D714,125 S	9/2014	Seiders	
8,844,762 B2	9/2014	Chiou et al.	
D714,584 S *	10/2014	Boroski	D7/392
D716,657 S	11/2014	Caneer	
D719,827 S *	12/2014	Duran	D9/447
8,905,252 B2	12/2014	Latham et al.	
8,910,819 B2	12/2014	Seiders	
8,939,305 B2	1/2015	Meyers et al.	
D722,474 S	2/2015	Seiders	
D722,475 S	2/2015	Seiders	
D723,918 S *	3/2015	Karl, IV	D9/447
D725,966 S	4/2015	Boroski et al.	
D727,097 S	4/2015	Sorensen et al.	
D727,457 S	4/2015	Seiders	
D729,579 S	5/2015	Molayem	
D731,614 S	6/2015	Seiders	
D732,348 S	6/2015	Seiders et al.	
D732,349 S	6/2015	Seiders et al.	
D732,350 S	6/2015	Seiders et al.	
D732,392 S	6/2015	Duran et al.	
D732,899 S	6/2015	Seiders et al.	
D733,497 S	7/2015	Sorensen et al.	
D736,622 S	8/2015	Nishijima et al.	
9,107,541 B2	8/2015	Bodum	
9,113,698 B2	8/2015	Blain et al.	
D739,174 S	9/2015	Elsaden et al.	
9,139,352 B2	9/2015	Seiders et al.	
D740,605 S	10/2015	Wodka et al.	
D742,684 S	11/2015	Hurley et al.	
D743,269 S	11/2015	Papé	
9,187,232 B2	11/2015	Seiders	
D748,942 S	2/2016	Boroski et al.	
D751,338 S	3/2016	Seiders et al.	
D751,339 S	3/2016	Seiders et al.	
D751,340 S	3/2016	Seiders et al.	
D751,341 S	3/2016	Seiders et al.	
D752,347 S	3/2016	Seiders et al.	
D752,397 S	3/2016	Seiders et al.	
D752,434 S *	3/2016	Willows	D9/447
D752,976 S *	4/2016	Koffel	D9/447
D753,482 S	4/2016	Serrano et al.	
D754,483 S	4/2016	Elsaden et al.	
D754,486 S	4/2016	Ott	
D757,496 S	5/2016	Julier et al.	
9,351,597 B2	5/2016	Liu et al.	
D758,127 S	6/2016	Zhao	
D758,137 S	6/2016	Soltz et al.	
D758,791 S	6/2016	Hanna et al.	
D758,792 S	6/2016	Karussi	
D759,485 S	6/2016	Boroski et al.	
D760,026 S	6/2016	Smith et al.	
D760,586 S	7/2016	Seiders et al.	
D761,609 S	7/2016	Gamelli et al.	
D761,619 S	7/2016	Seiders et al.	
D761,648 S *	7/2016	Karl, IV	D9/447
D762,117 S	7/2016	Joseph et al.	
9,387,961 B2	7/2016	Mithal	
D762,418 S	8/2016	Sorensen et al.	
D763,076 S *	8/2016	Lane	D9/446
D764,787 S	8/2016	Montminy	
D766,029 S	9/2016	Lin	
D766,652 S	9/2016	Joseph et al.	
D767,328 S	9/2016	Boroski et al.	
D768,437 S	10/2016	Lane	
D769,046 S	10/2016	Beckman et al.	
9,456,710 B2	10/2016	Blain et al.	
9,462,904 B2	10/2016	Coon et al.	
D770,222 S	11/2016	Boroski et al.	
D771,990 S	11/2016	Horowitz	
D772,064 S	11/2016	Boroski et al.	
D772,651 S	11/2016	Leonard et al.	
9,505,527 B1	11/2016	Campbell	
D774,359 S	12/2016	Boroski	
D774,363 S	12/2016	Seiders et al.	
D774,837 S	12/2016	Seiders et al.	
9,521,918 B2	12/2016	Coon et al.	
D775,892 S	1/2017	Smith	
D777,508 S	1/2017	Goodwin et al.	
D779,285 S	2/2017	Seiders et al.	

(56)

References Cited

U.S. PATENT DOCUMENTS

D779,891 S 2/2017 Seiders et al.
 D779,892 S 2/2017 Seiders et al.
 D780,530 S 3/2017 Seiders et al.
 D780,531 S 3/2017 Seiders et al.
 D780,532 S 3/2017 Seiders et al.
 D780,533 S 3/2017 Seiders et al.
 D780,577 S 3/2017 Seiders et al.
 D781,145 S 3/2017 Seiders et al.
 D781,146 S 3/2017 Seiders et al.
 D781,662 S 3/2017 Seiders et al.
 D782,881 S 4/2017 Seiders et al.
 D783,367 S 4/2017 Seiders et al.
 D783,368 S 4/2017 Seiders et al.
 D784,775 S 4/2017 Seiders et al.
 D786,025 S 5/2017 Seiders et al.
 D786,072 S * 5/2017 Breit D9/443
 D787,893 S 5/2017 Seiders et al.
 D787,894 S 5/2017 Seiders et al.
 9,637,270 B2 5/2017 Campbell
 D788,527 S 6/2017 Smith et al.
 D788,544 S 6/2017 Seiders et al.
 D789,737 S 6/2017 Eyal
 D790,285 S 6/2017 Seiders et al.
 D790,920 S 7/2017 Goodwin et al.
 D791,532 S 7/2017 Yao
 D791,542 S * 7/2017 Miksovsky D7/510
 D791,543 S 7/2017 Mulhauser et al.
 D791,549 S 7/2017 Goodwin et al.
 D792,215 S 7/2017 Eyal
 D792,216 S * 7/2017 Breit D9/443
 9,694,953 B2 7/2017 Meyers et al.
 D793,165 S 8/2017 Rummel et al.
 D794,397 S 8/2017 Seiders et al.
 D795,007 S 8/2017 Plassmeyer
 D795,008 S 8/2017 Eyal
 D795,012 S 8/2017 Rummel et al.
 D795,019 S 8/2017 Seiders et al.
 D795,020 S 8/2017 Seiders et al.
 D795,646 S 8/2017 Sorensen et al.
 D798,105 S 9/2017 Stover et al.
 9,771,189 B2 9/2017 Miksovsky et al.
 D798,668 S 10/2017 Steel et al.
 D799,320 S 10/2017 Goodwin et al.
 D799,906 S 10/2017 Seiders et al.
 D799,907 S 10/2017 Seiders et al.
 D799,908 S 10/2017 Seiders et al.
 D800,501 S 10/2017 Rummel et al.
 D801,046 S 10/2017 Bores
 D801,111 S * 10/2017 Eyal D7/392.1
 9,776,777 B2 10/2017 Gorbald
 9,782,028 B2 10/2017 Davies et al.
 D801,746 S 11/2017 Thuma et al.
 D802,419 S 11/2017 Seiders et al.
 D802,994 S 11/2017 Seiders et al.
 D803,619 S 11/2017 Seiders et al.
 D803,632 S 11/2017 Seiders et al.
 D803,684 S 11/2017 Seiders et al.
 D804,254 S 12/2017 Seiders et al.
 D804,255 S 12/2017 Seiders et al.
 D804,256 S 12/2017 Seiders et al.
 D804,910 S 12/2017 Steel et al.
 D805,354 S 12/2017 Bielawski
 D805,852 S 12/2017 Seiders et al.
 D807,110 S * 1/2018 Lown D7/391
 D807,125 S 1/2018 Seiders et al.
 D807,126 S 1/2018 Seiders et al.
 D808,713 S 1/2018 Rane et al.
 D811,162 S 2/2018 Rane et al.
 D812,970 S 3/2018 Rane et al.
 D813,593 S * 3/2018 Cornu D7/392
 9,908,687 B2 3/2018 Chiou et al.
 D814,852 S 4/2018 Melanson et al.
 D814,853 S 4/2018 Melanson et al.
 D814,854 S 4/2018 Melanson et al.
 D816,397 S * 5/2018 Karl, IV D7/392.1

D817,084 S * 5/2018 Hammer D7/392.1
 D817,085 S * 5/2018 Davis D7/392.1
 D817,683 S 5/2018 Melanson et al.
 D818,312 S 5/2018 Burns et al.
 D822,428 S 7/2018 Thuma et al.
 D824,721 S * 8/2018 Hu D7/392.1
 D825,332 S * 8/2018 Miksovsky D9/446
 D828,722 S * 9/2018 Davis D7/510
 D831,414 S * 10/2018 Diener D7/392
 D834,368 S * 11/2018 Oas D7/392.1
 D836,386 S * 12/2018 Ayriss B65D 47/0857
 D7/392
 D836,974 S 1/2019 Seiders et al.
 D839,049 S 1/2019 Seiders et al.
 D842,028 S 3/2019 Melanson et al.
 2005/0046211 A1 3/2005 Mole et al.
 2006/0016819 A1 1/2006 Paslawski et al.
 2007/0114236 A1 5/2007 Shiffer et al.
 2007/0175931 A1 8/2007 Leoncavallo et al.
 2007/0240580 A1 10/2007 Lusareta et al.
 2008/0011762 A1 1/2008 Boone
 2008/0017654 A1 1/2008 Chu
 2008/0087624 A1 4/2008 Buckley
 2009/0236341 A1 * 9/2009 McKinney A47G 19/2266
 220/375
 2011/0147421 A1 6/2011 Pedrol
 2011/0278216 A1 11/2011 Hull et al.
 2012/0152968 A1 6/2012 Bailey
 2012/0168441 A1 * 7/2012 Lane B65D 47/242
 220/212
 2013/0043263 A1 2/2013 Yang
 2013/0240549 A1 9/2013 Beggins et al.
 2014/0061208 A1 3/2014 Boyd
 2014/0360908 A1 12/2014 Sorensen et al.
 2015/0041500 A1 * 2/2015 Ismail A47G 19/34
 222/434
 2016/0153690 A1 6/2016 Patsis et al.
 2016/0270602 A1 9/2016 Casey
 2016/0318693 A1 11/2016 Hein et al.
 2017/0121073 A1 5/2017 Seiders et al.
 2017/0129665 A1 * 5/2017 Rolfes B65D 51/2821
 2017/0253392 A1 9/2017 Bann
 2017/0253396 A1 9/2017 Coon et al.

OTHER PUBLICATIONS

amazon.com, "Silver Buffalo 20 oz Stainless Steel Tumbler, Red," dated Dec. 22, 2016, downloaded from <https://www.amazon.com/Silver-Bufferalo-Stainless-Steel-Tumbler/dp/BO1MT1T7WG> Jun. 13, 2018, 1 page.
 Liquid Logic, "Pro32: Double Wall, Insulated Vacuum, Condensation Free Tumbler," dated Apr. 5, 2016, downloaded from www.amazon.com/Pro32-Insulated-Condensation-Tumbler-Stainless/dp/BO1DUBM6CO/ref=ip_2595554011_1_7?srs=2595554011&ie=UTF8& Jun. 13, 2018, 1 page.
 Ninja, "Ninja Single Serve Cup Set," dated Jul. 13, 2013, downloaded from https://www.amazon.com/...UTF8&pd_rd_i=BO11IW4XD8&pd_rd_r=4CQK27ABX6AHV038GMGF&pd_rd_w=jABEu&pd_rd_wg=zgOK2&psc=1 on Mar. 9, 2017, 3 pages.
 OtterBox, "OtterBox Elevation Tumbler (20oz)," dated Jul. 10, 2018, downloaded from <https://www.amazon.com/OtterBox-Elevation-Tumbler-Global-Stainless/dp/BOOZ7RVVN6> Dec. 15, 2018, 1 page.
 Brittany A. Roston, Slash Gear, "Venture Coolers are like the camping version of OtterBox phone cases," May 9, 2017, downloaded from <https://www.slashgear.com/venture-coolers-are-like-the-camping-version-of-otterbox-phone-cases-09484519/>, 5 pages.
 Genuine Thermos Brand, Mugs & Tumblers, downloaded from http://www.thermos.com/product_catalog.aspx?CatCode=MUGS May 8, 2017, 5 pages.
 Kevin Curry, Gear & Grit, "OtterBox Just Beat Yeti at Its own Game with Their Venture Line of Coolers," downloaded from <https://gearandgrit.com/otterbox-venture-cooled> May 9, 2017, 5 pages.
 Otter Products, Inc, OtterBox Outdoor Venture Coolers and Elevation Tumblers, downloaded from <http://www.otterbox.com/en-us/outdoor-coming-soon-html> May 9, 2017, 2 pages.

(56)

References Cited

OTHER PUBLICATIONS

OtterBox, OtterBox Outdoor Elevation Tumblers, retrieved from <https://www.otterbox.com/en-us/elevation-tumblers.html> Jan. 5, 2018, 6 pages.

OtterBox, PR Newswire “Unrule the Outdoors with New OtterBox Venture Coolers”, download from <http://www.orneswire.com/news-releases/unrule-the-outdoors-with-new-otterbox-venture-coolers-300453988.html> May 9, 2017, 3 pages.

OtterBox, Rugged & Versatile Elevation 20 Tumbler Accessories, retrieved from <https://www.otterbox.com/en-us/rtumbler-accessories> Jan. 5, 2018, 2 pages.

Pelican Consumer, Traveler Tumbler Series Drinkware, downloaded from <http://www.pelican.com/us/en/products/drinkware> May 8, 2017, 2 pages.

Tervis Official Store, Shaker Top, downloaded from <http://www.tervis.com/shaker-top> May 8, 2017, 4 pages.

Tervis Official Store, Stainless Steel Tumblers, downloaded from <http://www.tervis.com/stainless-steel> May 8, 2017, 4 pages.

Tervis Official Store, Travel Lids, downloaded from <http://www.tervis.com/travel-lids> May 8, 2017, 11 pages.

YETI Coolers, Rambler Drinkware Series, downloaded from <http://yeti.com/rambler> May 8, 2017, 6 pages.

YETI Coolers, YETI Accessories & Parts, downloaded May 8, 2017 from <http://yeti.com/accessories>, 5 pages.

Otterbox, “Elevation 10 & 20 Closed Lid,” downloaded from https://www.otterbox.com/en-us/elevation-10-20/closed-lid/78-51779.html?KPID=78-51779.html?KPID=78-51779&scid=?eml_pop=no&gclid=Cj0KCQiAtvPjBRDPAIsAJfZz0pvo6AuVi-907IIGN3Ldy_bZz8-o Mar. 4, 2019, 1 page.

Otterbox, “OtterBox Elevation Tumbler with Flip Lid (20 oz),” dated Aug. 30, 2018, downloaded from https://www.amazon.com/Otterbox-Elevation-Tumbler-Flip-Lid/dp/B07DHX4NS9/ref=sr__3?ie=UTF8&qid=1549297189&sr=8-3&keywords=Elevation+20+Tumbler Feb. 4, 2019, 1 page.

* cited by examiner

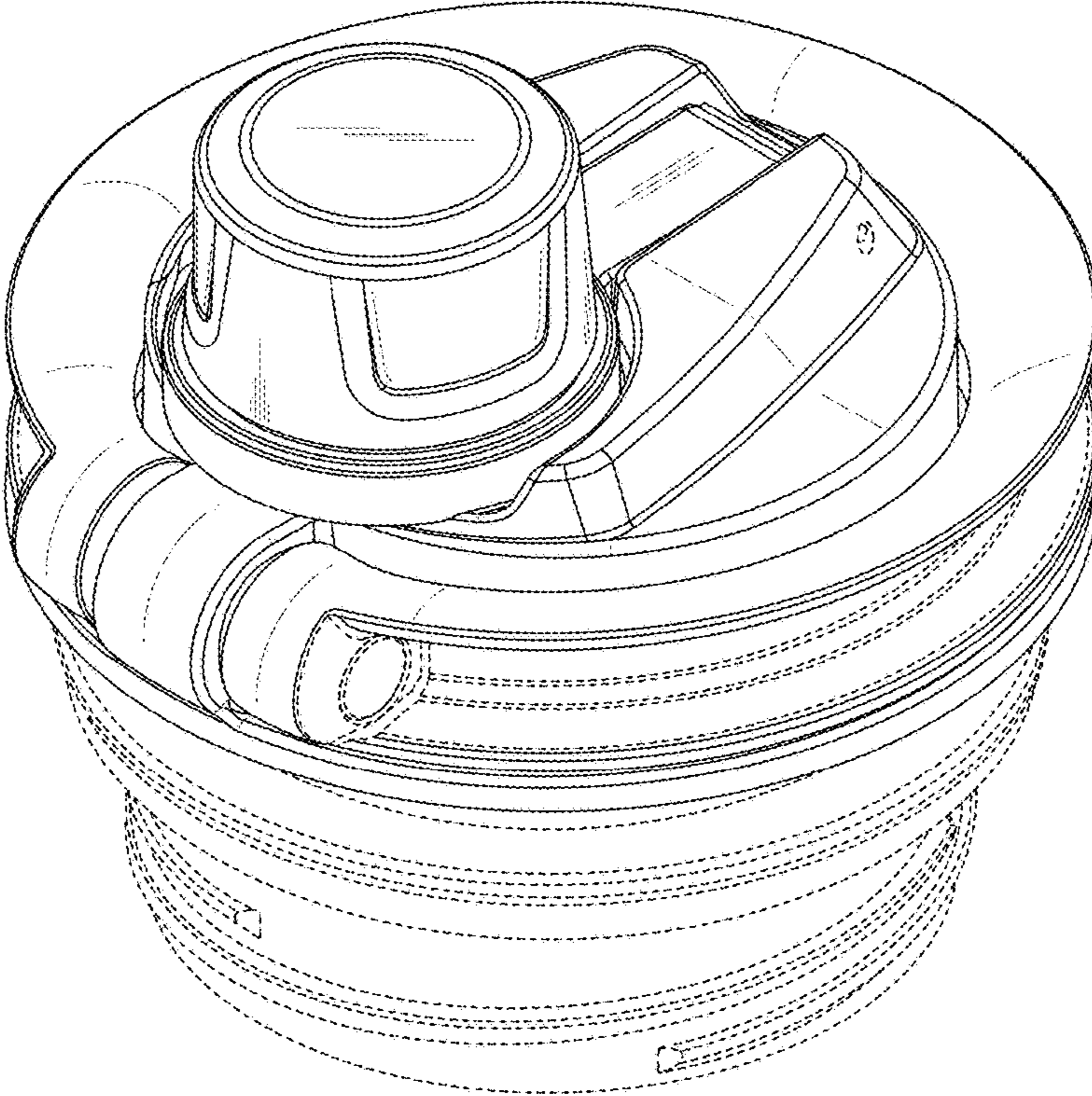


FIG. 1

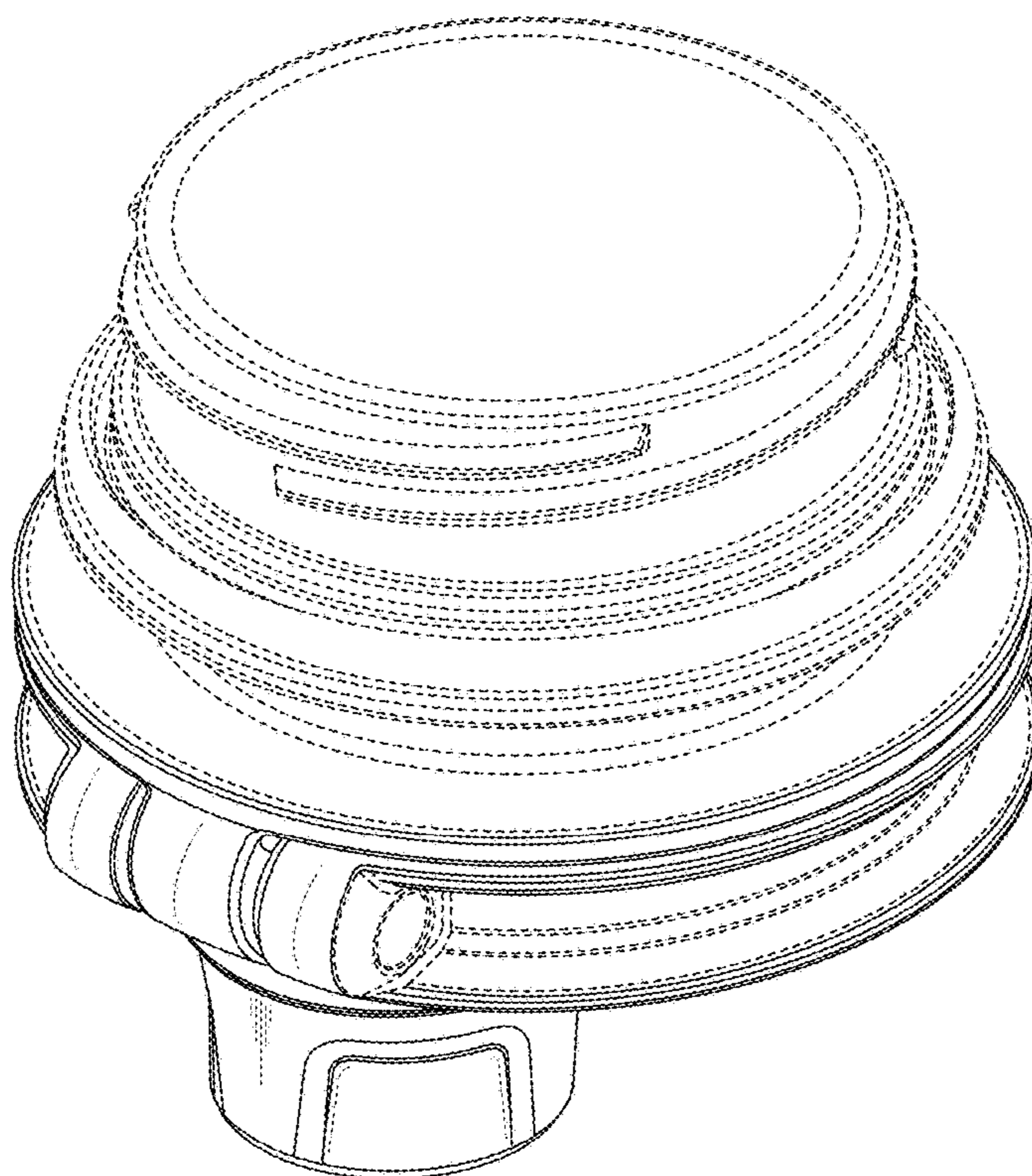


FIG. 2

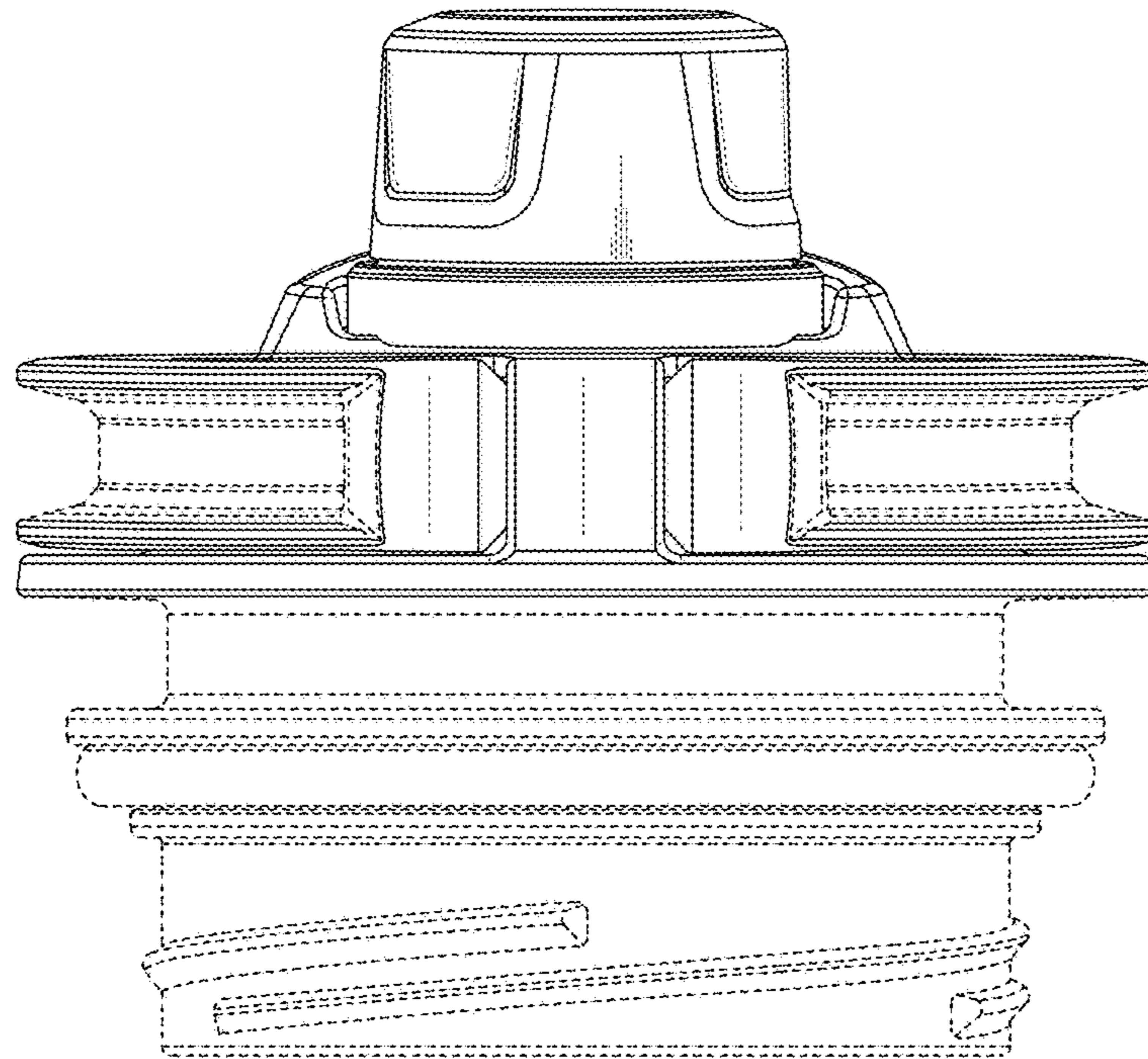


FIG. 3

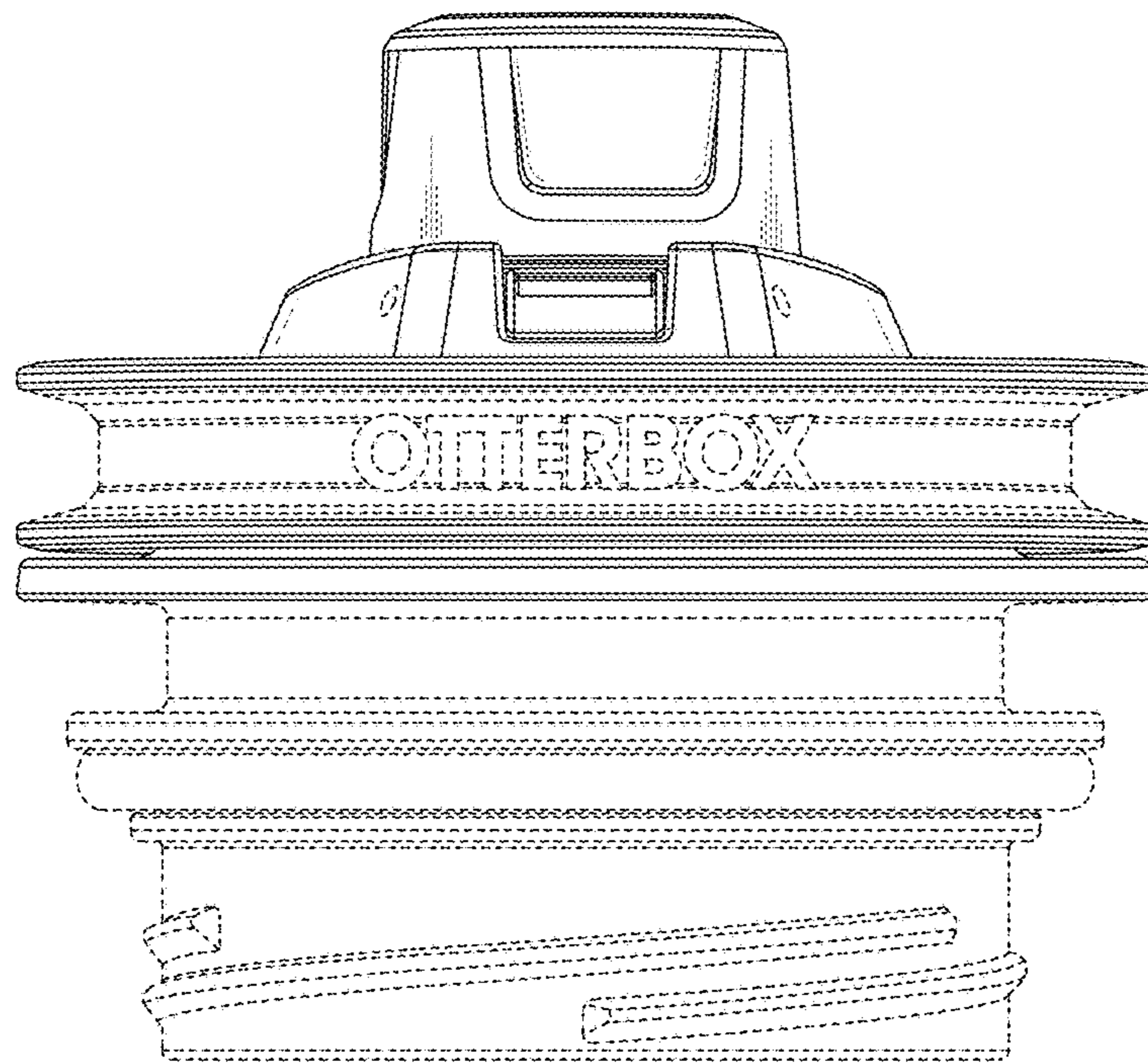


FIG. 4

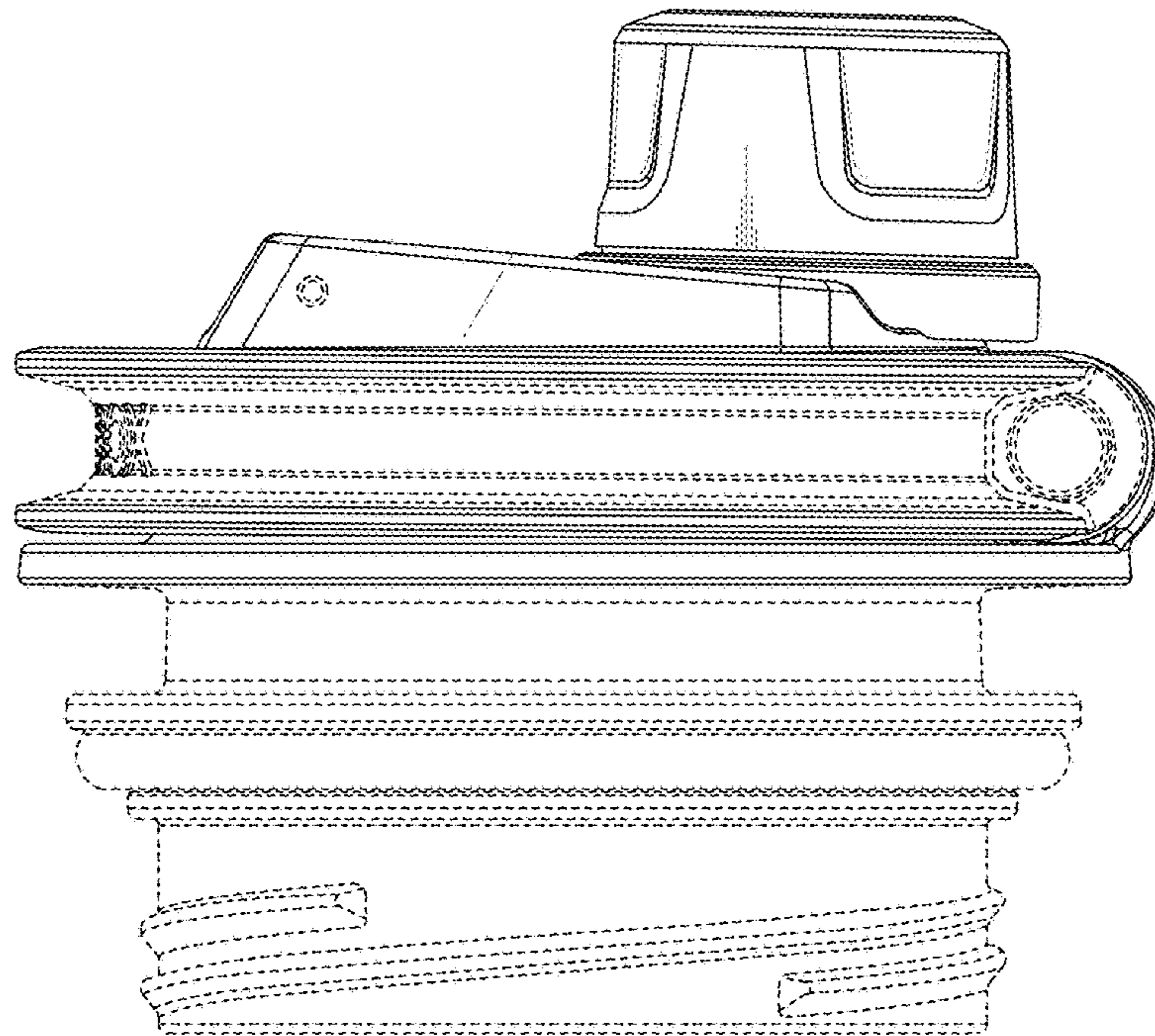


FIG. 5

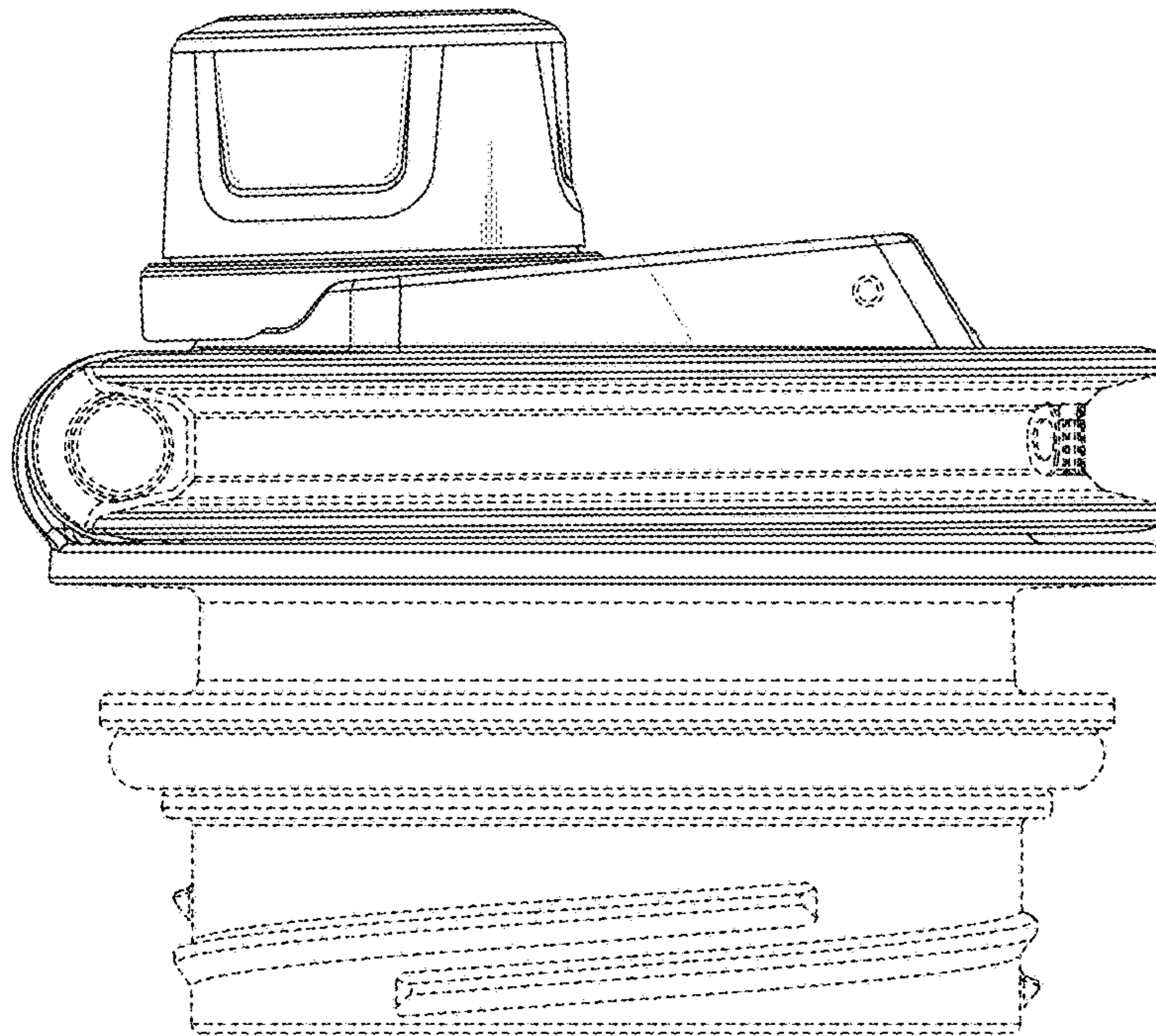


FIG. 6

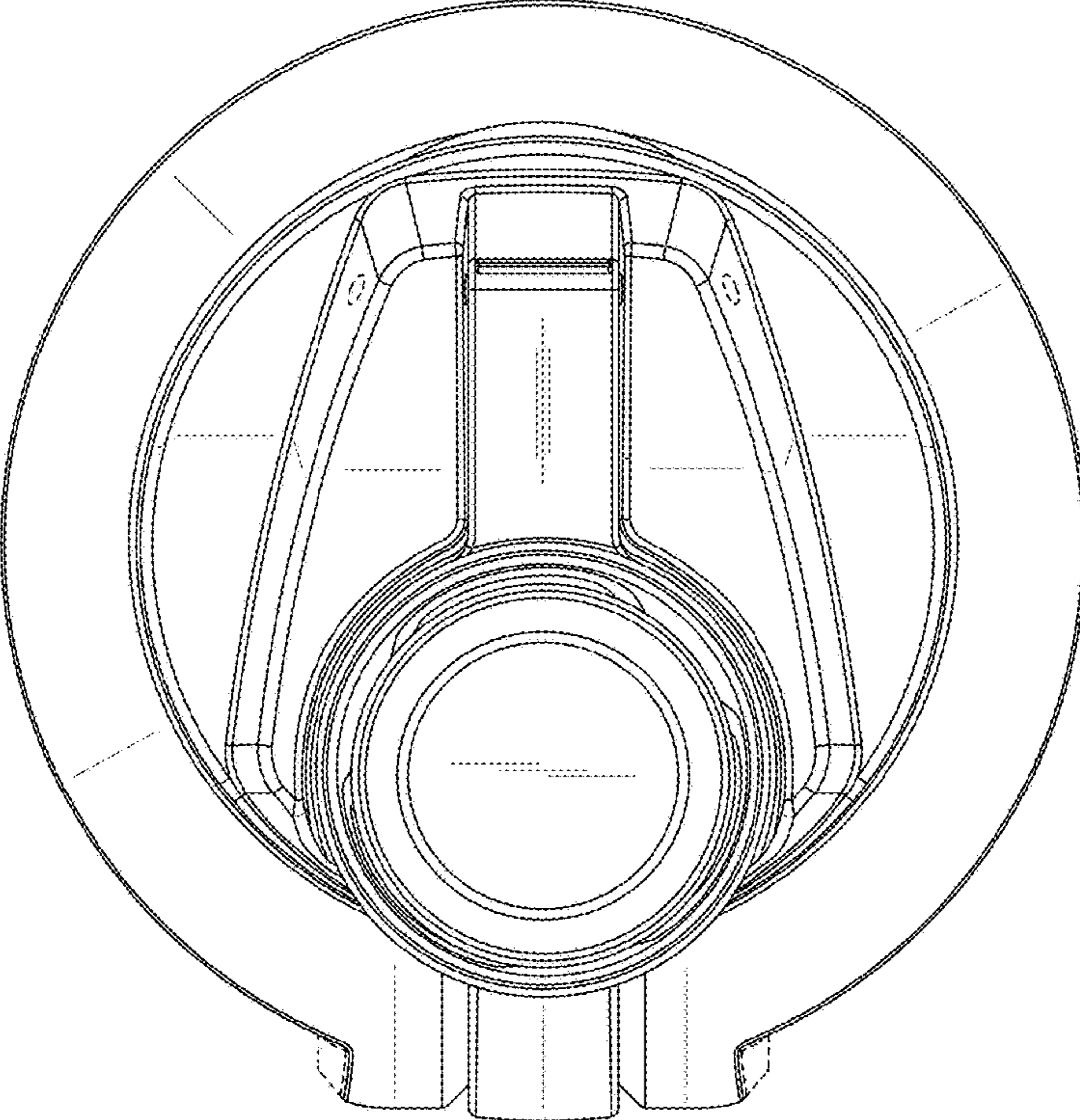


FIG. 7

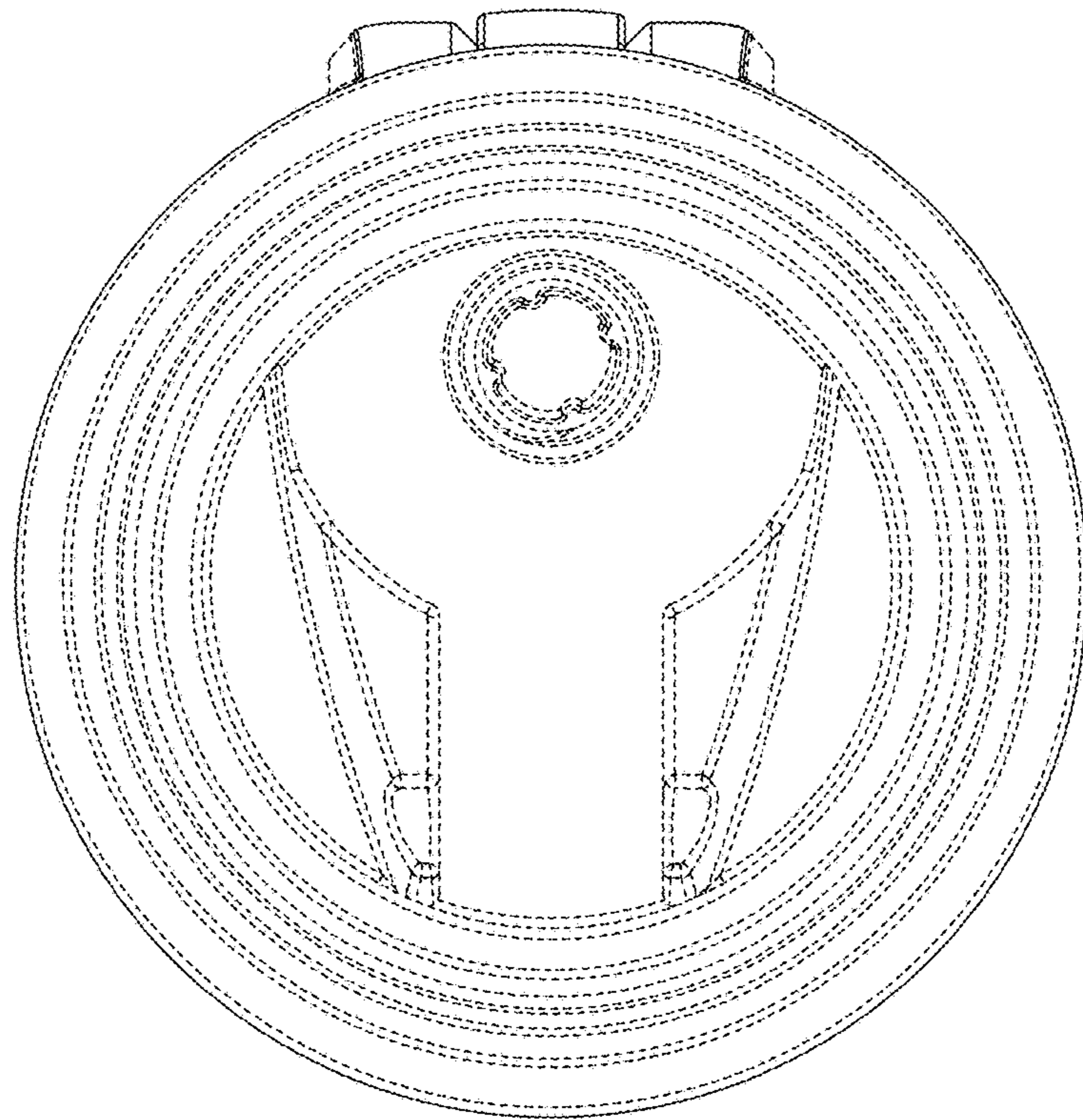


FIG. 8