



US00D862976S

(12) **United States Design Patent** (10) **Patent No.:** **US D862,976 S**  
**Melanson et al.** (45) **Date of Patent:** **\*\* Oct. 15, 2019**

(54) **LID FOR A BEVERAGE CONTAINER**  
(71) Applicant: **OTTER PRODUCTS, LLC**, Fort Collins, CO (US)  
(72) Inventors: **Christopher J. Melanson**, Fort Collins, CO (US); **Shanshan Li**, Fort Collins, CO (US); **Ross V. Bulkley**, Loveland, CO (US); **Alex S. Breeden**, Fort Collins, CO (US)

D321,628 S 11/1991 Kobayashi et al.  
D346,718 S 5/1994 Timmermans  
D371,304 S 7/1996 Onneweer  
D375,019 S 10/1996 Goto et al.  
D390,462 S 2/1998 Mao  
D403,079 S 12/1998 Pawlak et al.  
5,909,821 A 6/1999 Guridi  
D415,651 S 10/1999 Trombly  
(Continued)

**FOREIGN PATENT DOCUMENTS**

(73) Assignee: **Otter Products, LLC**, Fort Collins, CO (US)

EP 2555658 A1 2/2013

**OTHER PUBLICATIONS**

(\*\*) Term: **15 Years**

US D775,903 S, 01/2017, Seiders et al. (withdrawn)  
(Continued)

(21) Appl. No.: **29/603,417**

(22) Filed: **May 9, 2017**

*Primary Examiner* — Karen S Acker  
*Assistant Examiner* — Steven B Reinholdt, Jr.

(51) **LOC (12) Cl.** ..... **07-99**

(52) **U.S. Cl.**  
USPC ..... **D7/392**

(57) **CLAIM**

(58) **Field of Classification Search**  
USPC ..... D9/452, 453, 454, 435, 447, 449;  
D7/391, 392, 392.1, 510, 511, 538, 540,  
D7/542, 543, 544, 545, 629  
CPC ... A47G 19/2205; A47G 19/2222; A45F 3/16;  
A45F 3/20; B67D 7/06; B67D 7/0004;  
B65D 25/14; B65D 47/065; B65D  
47/066; B65D 2543/00101; B65D  
2543/00027  
See application file for complete search history.

The ornamental design for a lid for a beverage container, as shown and described.

**DESCRIPTION**

FIG. 1 is a front, top perspective view of a lid for a beverage container showing our new design;  
FIG. 2 is a rear, bottom perspective view thereof;  
FIG. 3 is a front view thereof;  
FIG. 4 is a rear view thereof;  
FIG. 5 is a left view thereof;  
FIG. 6 is a right view thereof;  
FIG. 7 is a top view thereof; and,  
FIG. 8 is a bottom view thereof.

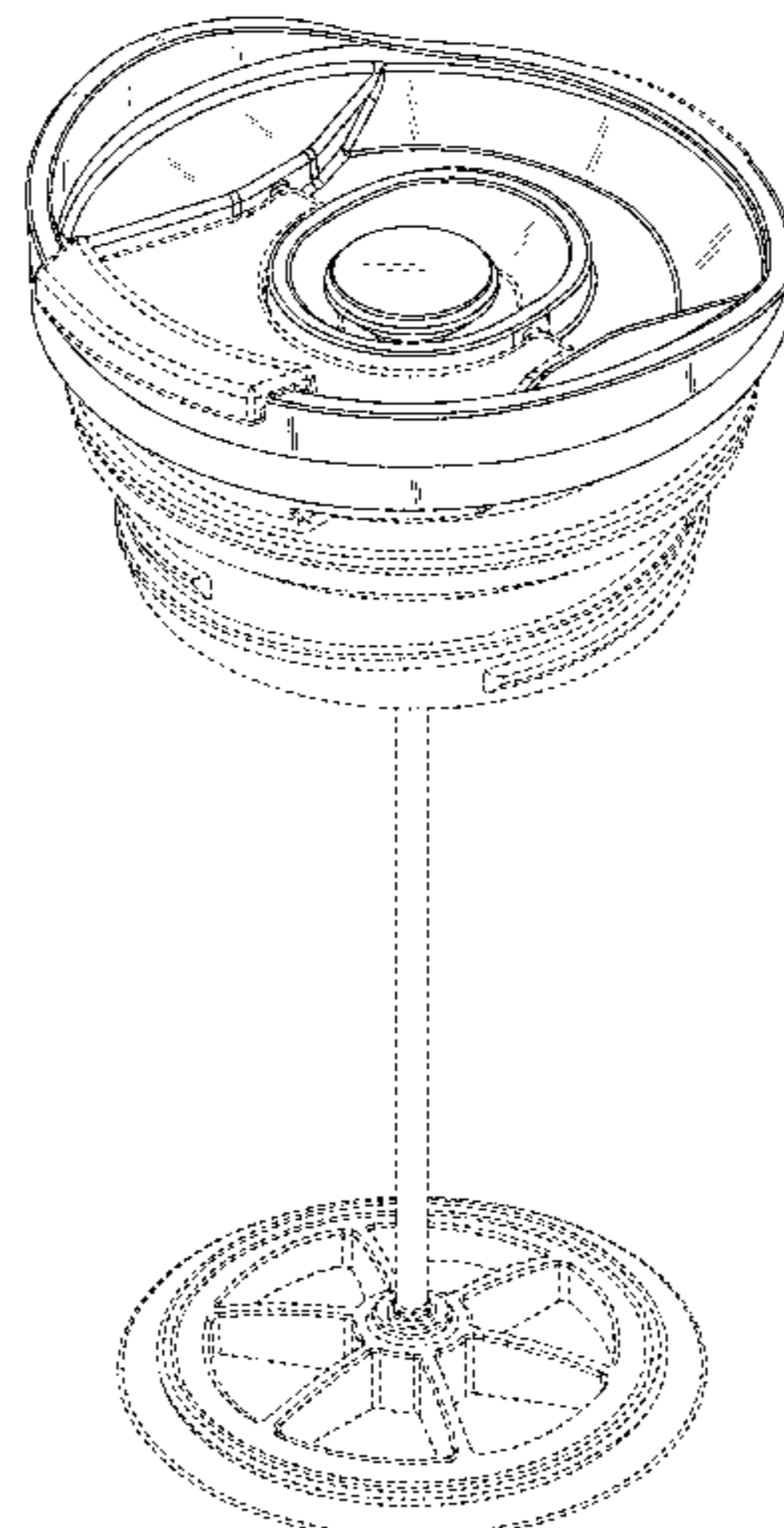
The dash-dash broken lines throughout the drawing figures depict portions of the lid for a beverage container that form no part of the claimed design. The broken lines and unshaded surfaces bounded by broken lines form no part of the claimed design.

(56) **References Cited**

**U.S. PATENT DOCUMENTS**

2,608,841 A 9/1952 Rice  
2,754,866 A 7/1956 Coltman  
2,957,596 A 10/1960 Rehborg  
3,312,366 A 4/1967 Harry  
4,518,639 A 5/1985 Phillips  
D282,234 S 1/1986 Henderson  
D282,897 S 3/1986 Conti et al.  
D287,919 S 1/1987 Clements

**1 Claim, 8 Drawing Sheets**



(56)

References Cited

U.S. PATENT DOCUMENTS

|              |         |                        |              |         |                      |
|--------------|---------|------------------------|--------------|---------|----------------------|
| 6,059,140 A  | 5/2000  | Hicks                  | 8,777,048 B2 | 7/2014  | Choi et al.          |
| D429,118 S   | 8/2000  | Hurlbut                | D712,254 S   | 9/2014  | Geis et al.          |
| D441,288 S   | 5/2001  | Pillers et al.         | D712,720 S   | 9/2014  | Seiders              |
| D450,583 S   | 11/2001 | Freed                  | D712,721 S   | 9/2014  | Seiders              |
| D450,982 S   | 11/2001 | Gaze et al.            | D712,722 S   | 9/2014  | Seiders              |
| 6,324,966 B1 | 12/2001 | Joergensen             | D712,723 S   | 9/2014  | Seiders              |
| D455,052 S   | 4/2002  | Gullickson et al.      | D714,125 S   | 9/2014  | Seiders              |
| D455,612 S   | 4/2002  | Gullickson et al.      | 8,844,762 B2 | 9/2014  | Chiou et al.         |
| 6,422,133 B1 | 7/2002  | Brady                  | D714,584 S   | 10/2014 | Boroski              |
| D476,859 S   | 7/2003  | Short                  | D716,657 S   | 11/2014 | Caneer               |
| D479,800 S   | 9/2003  | McRae                  | D719,827 S   | 12/2014 | Duran et al.         |
| 6,626,326 B2 | 9/2003  | Murakami               | 8,905,252 B2 | 12/2014 | Latham et al.        |
| D482,607 S   | 11/2003 | McRae                  | 8,910,819 B2 | 12/2014 | Seiders              |
| D488,960 S   | 4/2004  | Wahl et al.            | 8,939,305 B2 | 1/2015  | Meyers et al.        |
| 6,763,964 B1 | 7/2004  | Hurlbut et al.         | D722,474 S   | 2/2015  | Seiders              |
| 6,797,304 B2 | 9/2004  | McGonagle              | D722,475 S   | 2/2015  | Seiders              |
| D505,294 S   | 5/2005  | Gauss                  | D723,918 S   | 3/2015  | Karl et al.          |
| 7,011,227 B2 | 3/2006  | Ward et al.            | D725,966 S   | 4/2015  | Boroski et al.       |
| D524,909 S   | 7/2006  | Bakke et al.           | D727,097 S   | 4/2015  | Sorensen et al.      |
| D533,032 S   | 12/2006 | Liu et al.             | D727,457 S   | 4/2015  | Seiders              |
| D547,607 S   | 7/2007  | Forsman                | D729,579 S   | 5/2015  | Molayem              |
| D547,610 S   | 7/2007  | Edelstein et al.       | D731,614 S   | 6/2015  | Seiders              |
| D548,012 S   | 8/2007  | Tien                   | D732,348 S   | 6/2015  | Seiders et al.       |
| D564,841 S   | 3/2008  | Clemens et al.         | D732,349 S   | 6/2015  | Seiders et al.       |
| D570,213 S   | 6/2008  | Newman                 | D732,350 S   | 6/2015  | Seiders et al.       |
| D572,981 S   | 7/2008  | Carreno                | D732,392 S   | 6/2015  | Duran et al.         |
| D574,192 S   | 8/2008  | Schösser               | D732,899 S   | 6/2015  | Seiders et al.       |
| D584,569 S   | 1/2009  | Buchman et al.         | D733,497 S   | 7/2015  | Sorensen et al.      |
| D584,925 S   | 1/2009  | Buchman et al.         | D736,622 S   | 8/2015  | Nishijima et al.     |
| D587,533 S   | 3/2009  | Carreno                | 9,107,541 B2 | 8/2015  | Bodum                |
| D592,906 S   | 5/2009  | Allen et al.           | 9,113,698 B2 | 8/2015  | Blain et al.         |
| 7,533,783 B2 | 5/2009  | Choi et al.            | D739,174 S   | 9/2015  | Elsaden et al.       |
| 7,578,231 B2 | 8/2009  | Liu                    | 9,139,352 B2 | 9/2015  | Seiders et al.       |
| D605,040 S   | 12/2009 | Fry et al.             | D740,605 S   | 10/2015 | Wodka et al.         |
| D621,257 S   | 8/2010  | Gullickson et al.      | D742,684 S   | 11/2015 | Hurley et al.        |
| D623,480 S   | 9/2010  | Moran                  | D743,269 S   | 11/2015 | Papé                 |
| D623,481 S   | 9/2010  | Moran                  | 9,187,232 B2 | 11/2015 | Seiders              |
| D623,896 S   | 9/2010  | Wahl et al.            | D748,942 S   | 2/2016  | Boroski et al.       |
| D626,837 S   | 11/2010 | Meyers et al.          | D751,338 S   | 3/2016  | Seiders et al.       |
| D628,018 S   | 11/2010 | Gilbert                | D751,339 S   | 3/2016  | Seiders et al.       |
| D630,093 S   | 1/2011  | Bardet                 | D751,340 S   | 3/2016  | Seiders et al.       |
| D631,284 S   | 1/2011  | Fuller                 | D751,341 S   | 3/2016  | Seiders et al.       |
| D634,160 S   | 3/2011  | Cetera                 | D752,347 S   | 3/2016  | Seiders et al.       |
| D639,177 S   | 6/2011  | Pape                   | D752,397 S   | 3/2016  | Seiders et al.       |
| D644,060 S * | 8/2011  | Komeiji ..... D7/392.1 | D752,434 S   | 3/2016  | Willows et al.       |
| D644,489 S   | 9/2011  | Trombly                | D752,976 S   | 4/2016  | Koffel et al.        |
| D651,847 S   | 1/2012  | Gilbert                | D753,482 S   | 4/2016  | Serrano et al.       |
| D651,852 S   | 1/2012  | George                 | D754,483 S   | 4/2016  | Elsaden et al.       |
| D656,360 S   | 3/2012  | Miller et al.          | D754,486 S   | 4/2016  | Ott                  |
| D657,196 S   | 4/2012  | Beyers                 | D757,496 S   | 5/2016  | Julier et al.        |
| D658,006 S   | 4/2012  | Yao                    | 9,351,597 B2 | 5/2016  | Liu et al.           |
| D659,007 S   | 5/2012  | Pape                   | D758,127 S   | 6/2016  | Zhao                 |
| D660,648 S   | 5/2012  | Gilbert                | D758,137 S   | 6/2016  | Soltz et al.         |
| 8,191,727 B2 | 6/2012  | Davies et al.          | D758,791 S   | 6/2016  | Hanna et al.         |
| 8,251,247 B1 | 8/2012  | Breckner               | D758,792 S   | 6/2016  | Karussi              |
| 8,313,644 B2 | 11/2012 | Harris et al.          | D759,485 S   | 6/2016  | Boroski et al.       |
| D672,198 S   | 12/2012 | Soltz et al.           | D760,026 S   | 6/2016  | Smith et al.         |
| D672,618 S   | 12/2012 | Stamper et al.         | D760,586 S   | 7/2016  | Seiders et al.       |
| D672,648 S   | 12/2012 | Goto et al.            | D761,609 S   | 7/2016  | Gamelli et al.       |
| D675,059 S   | 1/2013  | Carreno                | D761,619 S   | 7/2016  | Seiders et al.       |
| D682,034 S   | 5/2013  | El-Saden et al.        | D761,648 S   | 7/2016  | Karl et al.          |
| 8,469,226 B2 | 6/2013  | Davies et al.          | D762,117 S   | 7/2016  | Joseph et al.        |
| D686,871 S   | 7/2013  | Lane                   | 9,387,961 B2 | 7/2016  | Mithal               |
| D689,331 S   | 9/2013  | Staton                 | D762,418 S   | 8/2016  | Sorensen et al.      |
| D690,556 S   | 10/2013 | Boroski                | D763,076 S   | 8/2016  | Lane et al.          |
| D690,988 S   | 10/2013 | Audette                | D764,787 S   | 8/2016  | Montminy             |
| 8,602,238 B2 | 12/2013 | Ei-Saden et al.        | D766,029 S   | 9/2016  | Lin                  |
| D697,798 S   | 1/2014  | Sorensen et al.        | D766,652 S   | 9/2016  | Joseph et al.        |
| 8,622,237 B2 | 1/2014  | Choi et al.            | D767,328 S   | 9/2016  | Boroski et al.       |
| D699,996 S   | 2/2014  | Leo                    | D768,437 S   | 10/2016 | Lane                 |
| D700,012 S   | 2/2014  | Hurley et al.          | D769,046 S   | 10/2016 | Beckman et al.       |
| D700,802 S   | 3/2014  | Miller                 | 9,456,710 B2 | 10/2016 | Blain et al.         |
| D702,092 S   | 4/2014  | Mettler et al.         | 9,462,904 B2 | 10/2016 | Coon et al.          |
| 8,695,830 B2 | 4/2014  | Meyers et al.          | D770,222 S   | 11/2016 | Boroski et al.       |
| D707,124 S   | 6/2014  | Blain et al.           | D771,990 S   | 11/2016 | Horowitz             |
|              |         |                        | D772,064 S   | 11/2016 | Boroski et al.       |
|              |         |                        | D772,651 S * | 11/2016 | Leonard ..... D7/510 |
|              |         |                        | 9,505,527 B1 | 11/2016 | Campbell             |
|              |         |                        | D774,359 S   | 12/2016 | Boroski              |

(56)

References Cited

U.S. PATENT DOCUMENTS

D774,363 S 12/2016 Seiders et al.  
 D774,837 S 12/2016 Seiders et al.  
 9,521,918 B2 12/2016 Coon et al.  
 D775,892 S 1/2017 Smith  
 D777,508 S 1/2017 Goodwin et al.  
 D779,285 S 2/2017 Seiders et al.  
 D779,891 S 2/2017 Seiders et al.  
 D779,892 S 2/2017 Seiders et al.  
 D780,530 S 3/2017 Seiders et al.  
 D780,531 S 3/2017 Seiders et al.  
 D780,532 S 3/2017 Seiders et al.  
 D780,533 S 3/2017 Seiders et al.  
 D780,577 S 3/2017 Seiders et al.  
 D781,145 S 3/2017 Seiders et al.  
 D781,146 S 3/2017 Seiders et al.  
 D781,662 S 3/2017 Seiders et al.  
 D782,881 S 4/2017 Seiders et al.  
 D783,367 S 4/2017 Seiders et al.  
 D783,368 S 4/2017 Seiders et al.  
 D784,775 S 4/2017 Seiders et al.  
 D786,025 S 5/2017 Seiders et al.  
 D786,072 S 5/2017 Breit et al.  
 D787,893 S 5/2017 Seiders et al.  
 D787,894 S 5/2017 Seiders et al.  
 9,637,270 B2 5/2017 Campbell  
 D788,527 S 6/2017 Smith et al.  
 D788,544 S 6/2017 Seiders et al.  
 D789,737 S \* 6/2017 Eyal ..... D7/300.1  
 D790,285 S 6/2017 Seiders et al.  
 D790,920 S 7/2017 Goodwin et al.  
 D791,532 S 7/2017 Yao  
 D791,542 S 7/2017 Miksovsky et al.  
 D791,543 S 7/2017 Mulhauser et al.  
 D791,549 S 7/2017 Goodwin et al.  
 D792,215 S 7/2017 Eyal  
 D792,216 S 7/2017 Breit et al.  
 9,694,953 B2 7/2017 Meyers et al.  
 D793,165 S 8/2017 Rummel et al.  
 D794,397 S 8/2017 Seiders et al.  
 D795,007 S 8/2017 Plassmeyer  
 D795,008 S 8/2017 Eyal  
 D795,012 S 8/2017 Rummel et al.  
 D795,019 S 8/2017 Seiders et al.  
 D795,020 S 8/2017 Seiders et al.  
 D795,646 S 8/2017 Sorensen et al.  
 D798,105 S 9/2017 Stover et al.  
 9,771,189 B2 9/2017 Miksovsky et al.  
 D798,668 S 10/2017 Steel et al.  
 D799,320 S 10/2017 Goodwin et al.  
 D799,906 S 10/2017 Seiders et al.  
 D799,907 S 10/2017 Seiders et al.  
 D799,908 S 10/2017 Seiders et al.  
 D800,501 S 10/2017 Rummel et al.  
 D801,046 S 10/2017 Bores  
 D801,111 S 10/2017 Eyal  
 9,776,777 B2 10/2017 Gorbald  
 9,782,028 B2 10/2017 Davies et al.  
 D801,746 S 11/2017 Thuma et al.  
 D802,419 S 11/2017 Seiders et al.  
 D802,994 S 11/2017 Seiders et al.  
 D803,619 S 11/2017 Seiders et al.  
 D803,632 S 11/2017 Seiders et al.  
 D803,684 S 11/2017 Seiders et al.  
 D804,254 S 12/2017 Seiders et al.  
 D804,255 S 12/2017 Seiders et al.  
 D804,256 S 12/2017 Seiders et al.  
 D804,910 S 12/2017 Steel et al.  
 D805,354 S 12/2017 Bielawski  
 D805,852 S 12/2017 Seiders et al.  
 D807,110 S 1/2018 Lown  
 D807,125 S 1/2018 Seiders et al.  
 D807,126 S 1/2018 Seiders et al.  
 D813,593 S 3/2018 Cornu et al.  
 9,908,687 B2 3/2018 Chiou et al.  
 D816,397 S 5/2018 Karl et al.

D817,084 S 5/2018 Hammer  
 D817,085 S 5/2018 Davis  
 D818,312 S \* 5/2018 Burns ..... D7/396.2  
 D822,428 S 7/2018 Thuma et al.  
 D824,721 S 8/2018 Hu  
 D825,332 S 8/2018 Miksovsky et al.  
 D827,363 S \* 9/2018 Matsui ..... D7/392.1  
 D828,722 S 9/2018 Davis  
 D831,414 S 10/2018 Diener et al.  
 D834,368 S 11/2018 Oas  
 D834,882 S \* 12/2018 Seiders ..... D7/392.1  
 D836,386 S 12/2018 Ayriss et al.  
 D836,974 S \* 1/2019 Seiders ..... D7/392.1  
 D839,049 S 1/2019 Seiders et al.  
 D842,028 S 3/2019 Melanson et al.  
 2005/0046211 A1 3/2005 Nole et al.  
 2006/0016819 A1 1/2006 Paslawski et al.  
 2007/0114236 A1 5/2007 Shiffer et al.  
 2007/0175931 A1 8/2007 Leoncavallo et al.  
 2007/0240580 A1 10/2007 Lusareta et al.  
 2008/0011762 A1 1/2008 Boone  
 2008/0017654 A1 1/2008 Chu  
 2008/0087624 A1 4/2008 Buckley  
 2009/0236341 A1 9/2009 McKinney et al.  
 2010/0288782 A1 \* 11/2010 Lin ..... A47G 19/22  
 220/752  
 2011/0147421 A1 6/2011 Pedrol  
 2011/0278216 A1 11/2011 Hull et al.  
 2012/0152968 A1 6/2012 Bailey  
 2012/0168441 A1 7/2012 Lane  
 2013/0043263 A1 2/2013 Yang  
 2013/0119060 A1 \* 5/2013 Chiou ..... B65D 43/02  
 220/254.3  
 2013/0240549 A1 9/2013 Beggins et al.  
 2014/0061208 A1 3/2014 Boyd  
 2014/0360908 A1 12/2014 Sorensen et al.  
 2015/0041500 A1 2/2015 Ismail  
 2016/0153690 A1 6/2016 Patsis et al.  
 2016/0244217 A1 \* 8/2016 Maple ..... B65D 47/32  
 2016/0270602 A1 9/2016 Casey  
 2016/0318693 A1 11/2016 Hein et al.  
 2017/0121073 A1 5/2017 Seiders et al.  
 2017/0129665 A1 5/2017 Rolfes  
 2017/0253392 A1 \* 9/2017 Bann ..... B65D 47/0895  
 2017/0253396 A1 \* 9/2017 Coon ..... B65D 47/0866

OTHER PUBLICATIONS

Amazon.com, Otterbox Elevation Tumbler with Flip Lid (20 oz), Publication date Aug. 30, 2018, [site visited Feb. 4, 2019, Available on the Internet URL [https://www.amazon.com/Otterbox-Elevation-Tumbler-Flip-Lid/dp/B07DHX4NS9/ref=sr\\_1\\_3?ie=UTF8&gid=1549297189&sr=8-3&keywords=Elevation+20+Tumbler.\\*](https://www.amazon.com/Otterbox-Elevation-Tumbler-Flip-Lid/dp/B07DHX4NS9/ref=sr_1_3?ie=UTF8&gid=1549297189&sr=8-3&keywords=Elevation+20+Tumbler.*)  
 Brittany A. Roston, Slash Gear, "Venture Coolers are like the camping version of OtterBox phone cases," May 9, 2017, downloaded from <https://www.slashgear.com/venture-coolers-are-like-the-camping-version-of-otterbox-phone-cases-09484519/>, 5 pages.  
 Genuine Thermos Brand, Mugs & Tumblers, downloaded from [http://www.thermos.com/product\\_catalog.aspx?CatCode=MUGS](http://www.thermos.com/product_catalog.aspx?CatCode=MUGS) May 8, 2017, 5 pages.  
 Kevin Curry, Gear & Grit, "OtterBox Just Beat Yeti at Its own Game with Their Venture Line of Coolers," downloaded from <https://gearandgrit.com/otterbox-venture-cooler/> May 9, 2017, 5 pages.  
 Otter Products, Inc, OtterBox Outdoor Venture Coolers and Elevation Tumblers, downloaded from <http://www.otterbox.com/en-us/outdoor-coming-soon-html> May 9, 2017, 2 pages.  
 Otterbox, PR Newswire "Unrule the Outdoors with New OtterBox Venture Coolers", downloaded from <http://www.prnewswire.com/news-releases/unrule-the-outdoors-with-new-otterbox-venture-coolers-300453988.html> May 9, 2017, 3 pages.  
 Pelican Consumer, Traveler Tumbler Series Drinkware, downloaded from <http://www.pelican.com/us/en/products/drinkware> May 8, 2017, 2 pages.  
 Tervis Official Store, Shaker Top, downloaded from <http://www.tervis.com/shaker-top> May 8, 2017, 4 pages.

(56)

**References Cited**

## OTHER PUBLICATIONS

Tervis Official Store, Stainless Steel Tumblers, downloaded from <http://www.tervis.com/stainless-steel> May 8, 2017, 4 pages.

Tervis Official Store, Travel Lids, downloaded from <http://www.tervis.com/travel-lids> May 8, 2017, 11 pages.

Yeti Coolers, Rambler Drinkware Series, downloaded from <http://yeti.com/rambler> May 8, 2017, 6 pages.

Yeti Coolers, Yeti Accessories & Parts, downloaded May 8, 2017 from <http://yeti.com/accessories>, 5 pages.

amazon.com, "Silver Buffalo 20 oz Stainless Steel Tumbler, Red," dated Dec. 22, 2016, downloaded from <https://www.amazon.com/Silver-Buffalo-Stainless-Steel-Tumbler/dp/BO1MT1T7WG> Jun. 13, 2018, 1 page.

Liquid Logic, "Pro32: Double Wall, Insulated Vacuum, Condensation Free Tumbler," dated Apr. 5, 2016, downloaded from [www.amazon.com/Pro32-Insulated-Condensation-Tumbler-Stainless/dp/BO1DUBM6CO/ref=lp\\_2595554011\\_1\\_7?srs=2595554011&ie=UTF8](http://www.amazon.com/Pro32-Insulated-Condensation-Tumbler-Stainless/dp/BO1DUBM6CO/ref=lp_2595554011_1_7?srs=2595554011&ie=UTF8) Jun. 13, 2018, 1 page.

Ninja, "Ninja Single Serve Cup Set," dated Jul. 13, 2013, downloaded from [https://www.amazon.com/...UTF8&pd\\_rd\\_i=BO11IW4XD8&pd\\_rd\\_r=4CQK27ABX6AHV038GMGF&pd\\_rd\\_w=jABEu&pd\\_rd\\_wg=zgOK2&pssc=1](https://www.amazon.com/...UTF8&pd_rd_i=BO11IW4XD8&pd_rd_r=4CQK27ABX6AHV038GMGF&pd_rd_w=jABEu&pd_rd_wg=zgOK2&pssc=1) on Mar. 9, 2017, 3 pages.

OtterBox, "OtterBox Elevation Tumbler (20oz)," dated Jul. 10, 2018, downloaded from <https://www.amazon.com/OtterBox-Elevation-Tumbler-Global-Stainless/dp/BOOZ7RVVN6> Dec. 15, 2018, 1 page.

Otterbox, "Elevation 10 & 20 Closed Lid," downloaded from [https://www.otterbox.com/en-us/elevation-10-20/closed-lid/78-51779.html?KPID=78-51779.html?KPID=78-51779&scid=?eml\\_pop=no&gclid=Cj0KCQiAtvPjBRDPARIsAJfZz0pvo6AuVi-907IIGN3Ldy\\_bZz8-o](https://www.otterbox.com/en-us/elevation-10-20/closed-lid/78-51779.html?KPID=78-51779.html?KPID=78-51779&scid=?eml_pop=no&gclid=Cj0KCQiAtvPjBRDPARIsAJfZz0pvo6AuVi-907IIGN3Ldy_bZz8-o) Mar. 4, 2019, 1 page.

\* cited by examiner

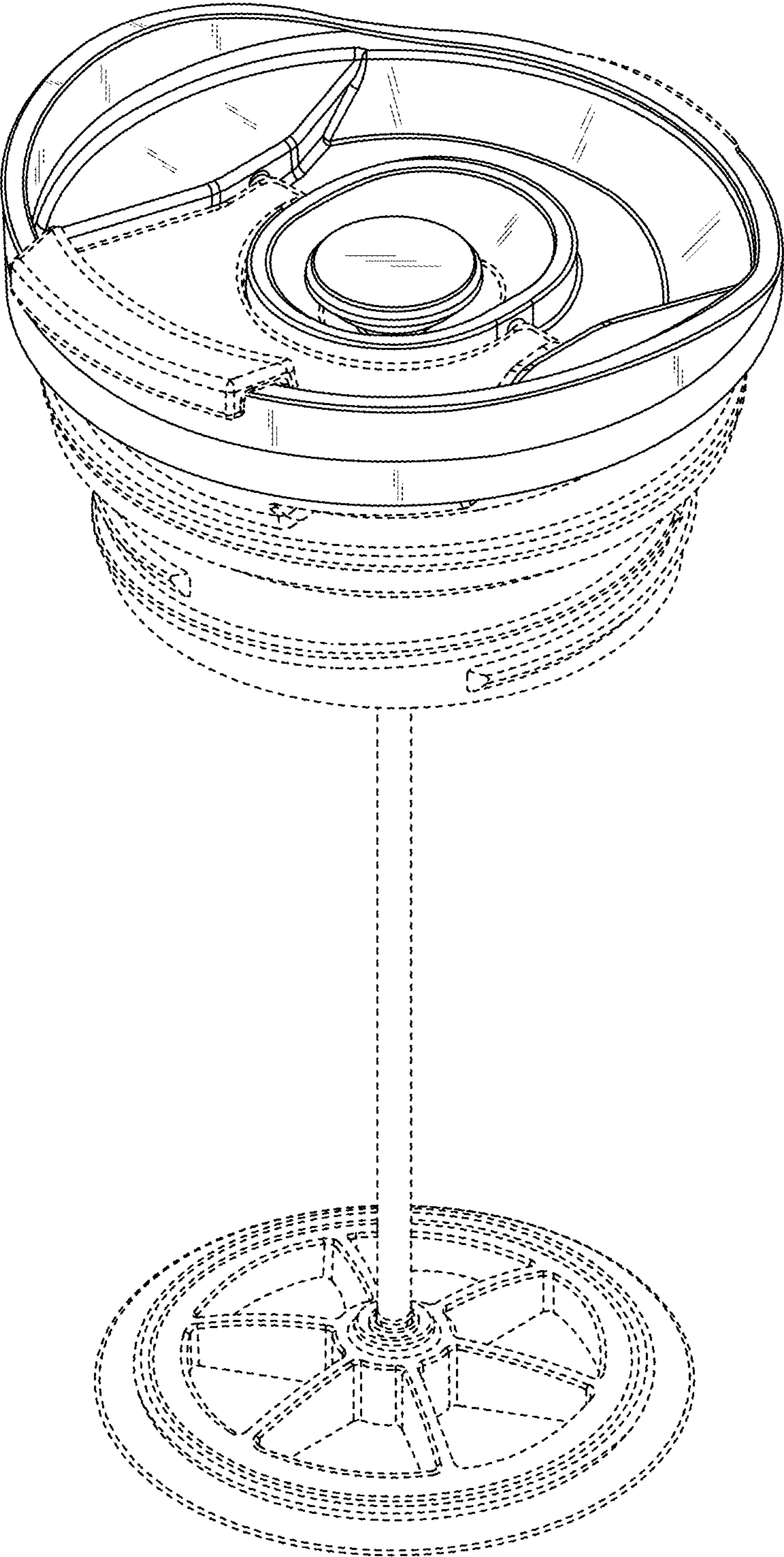


FIG. 1

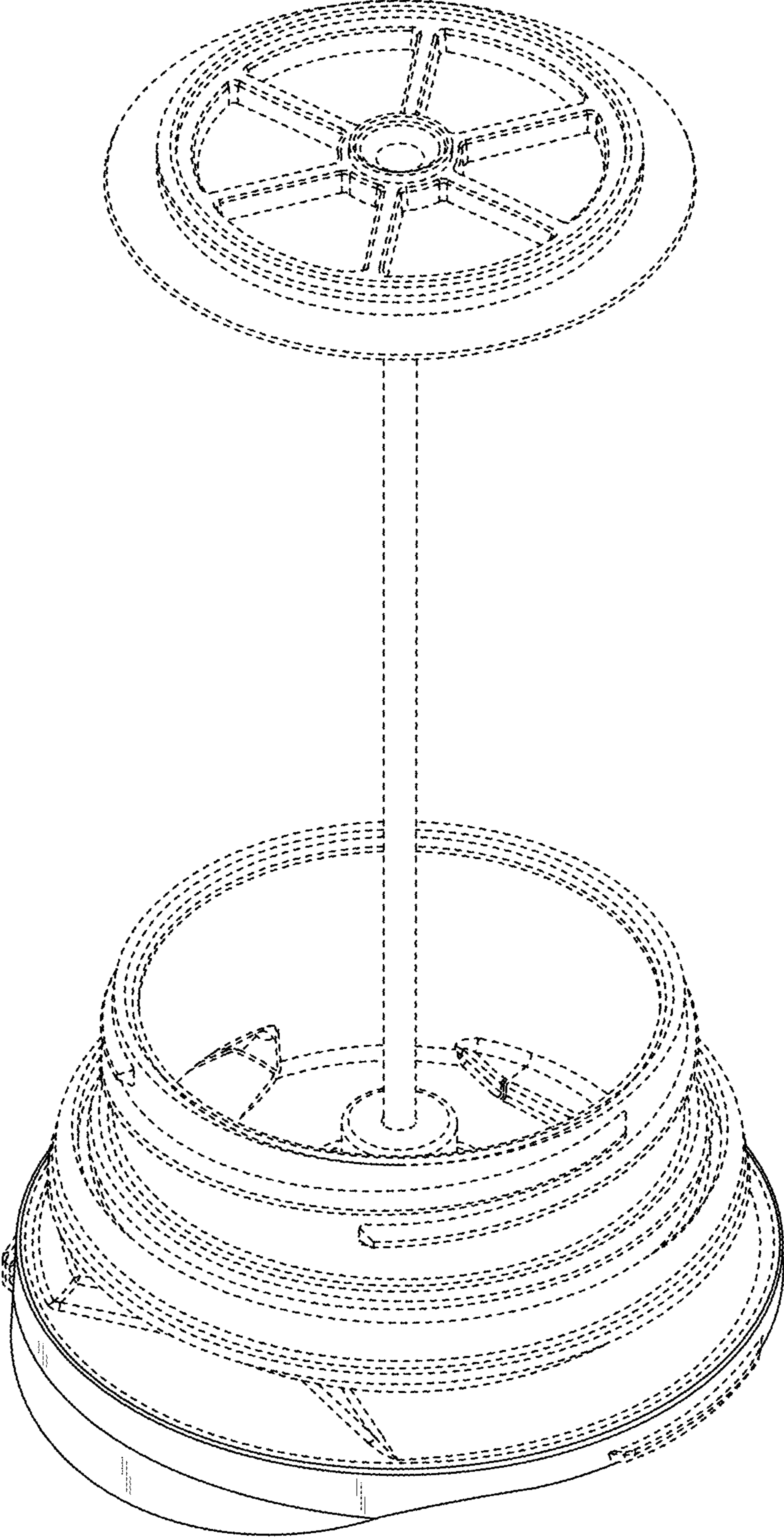


FIG. 2

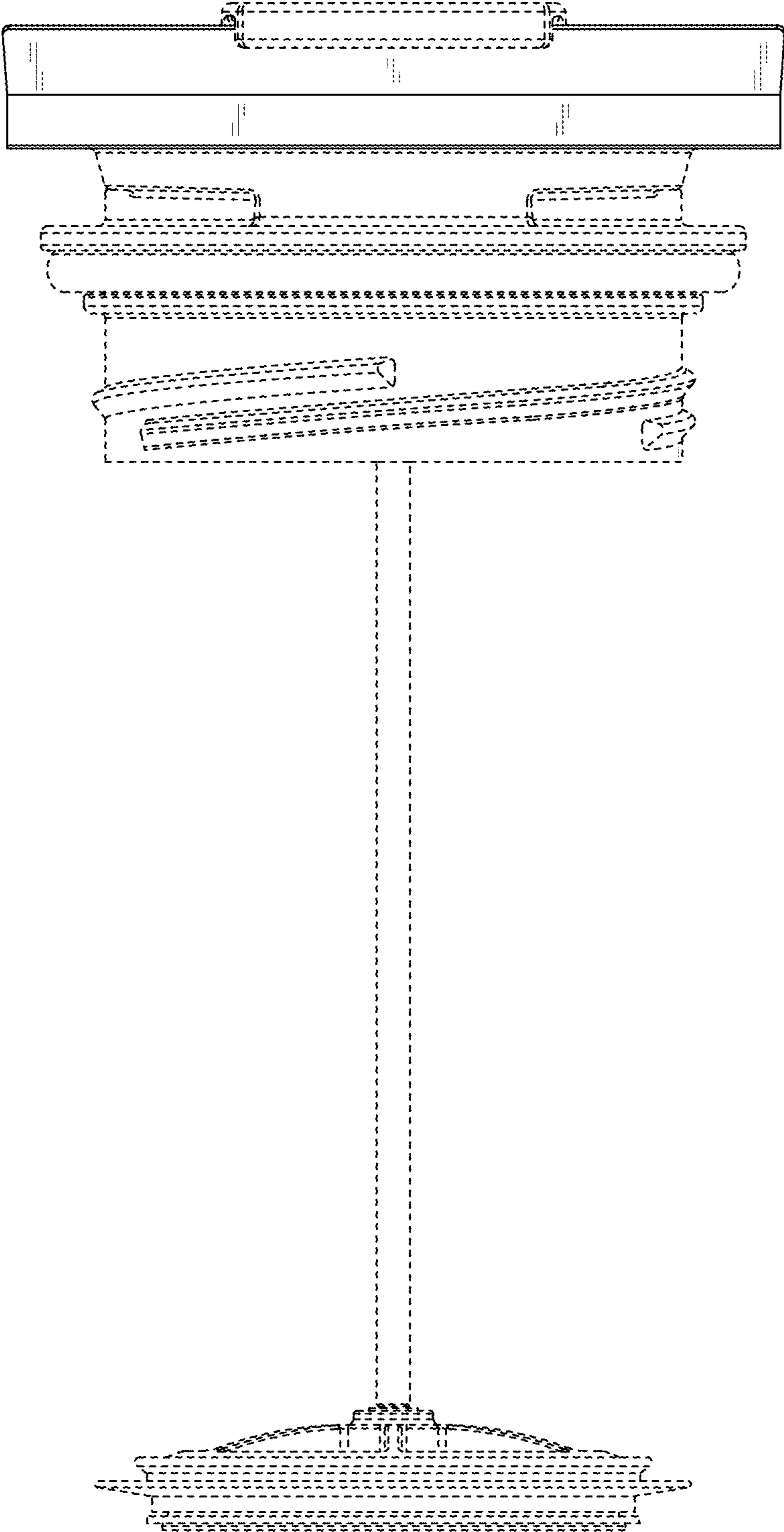


FIG. 3

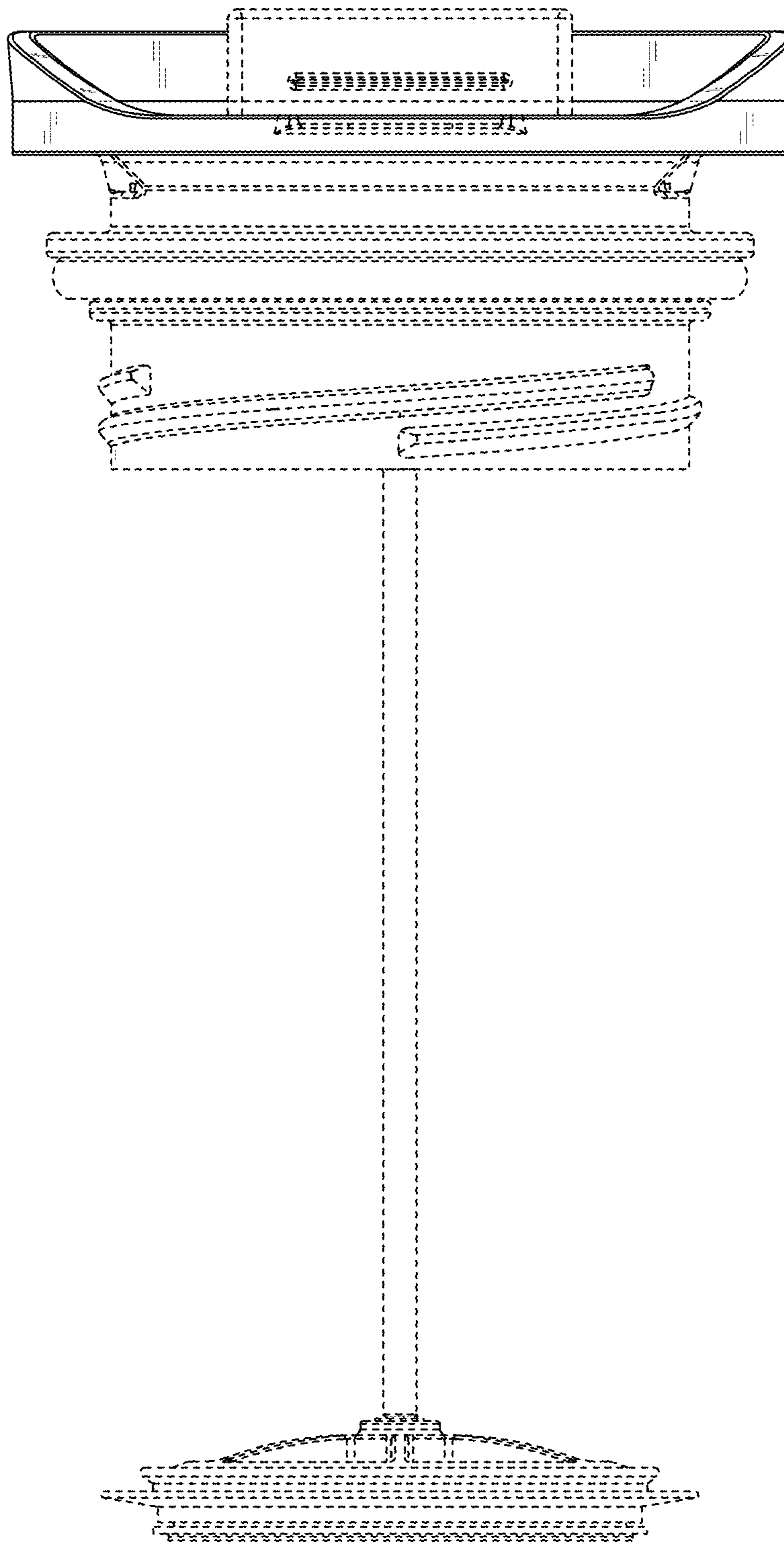


FIG. 4



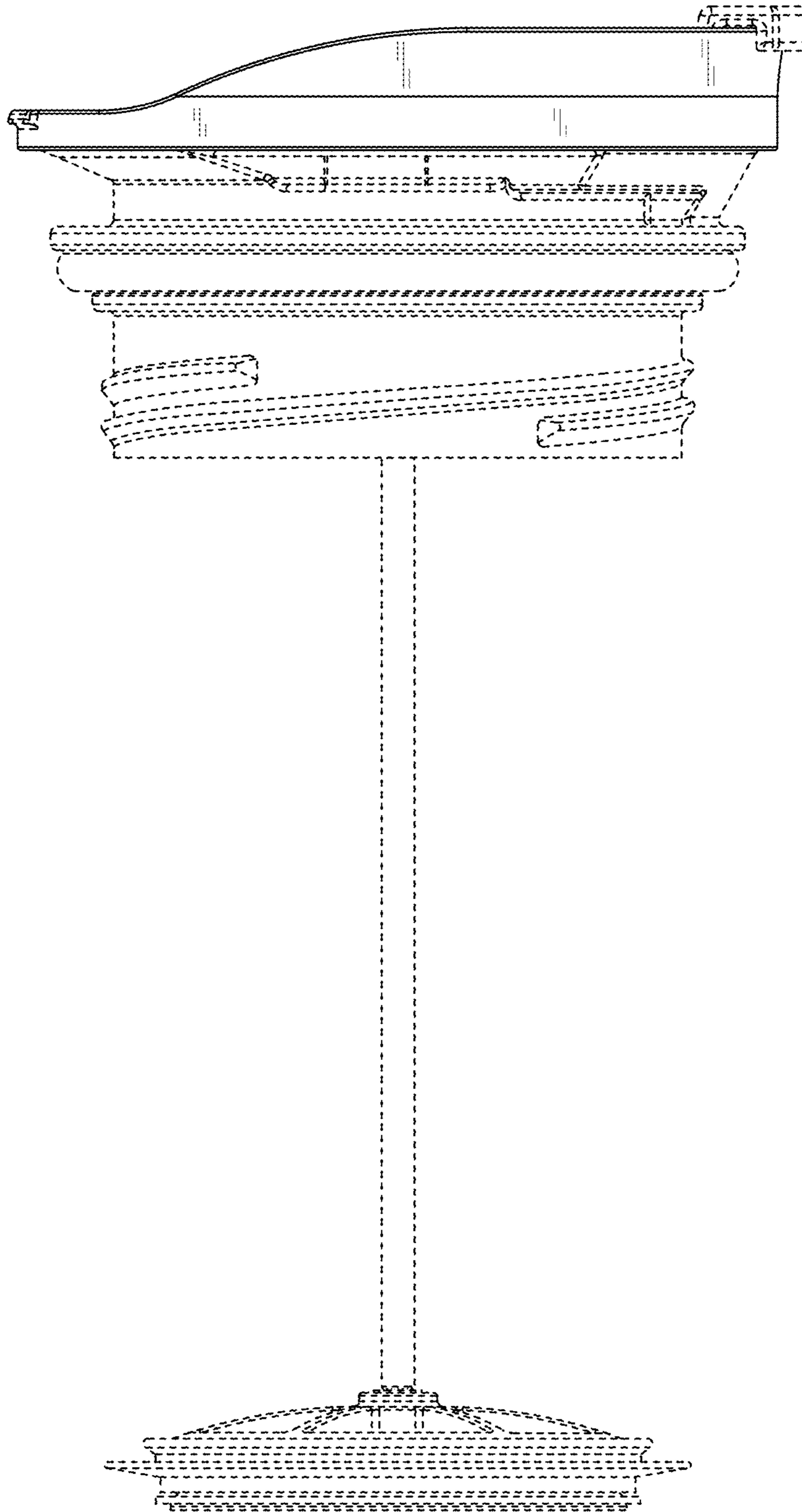


FIG. 5

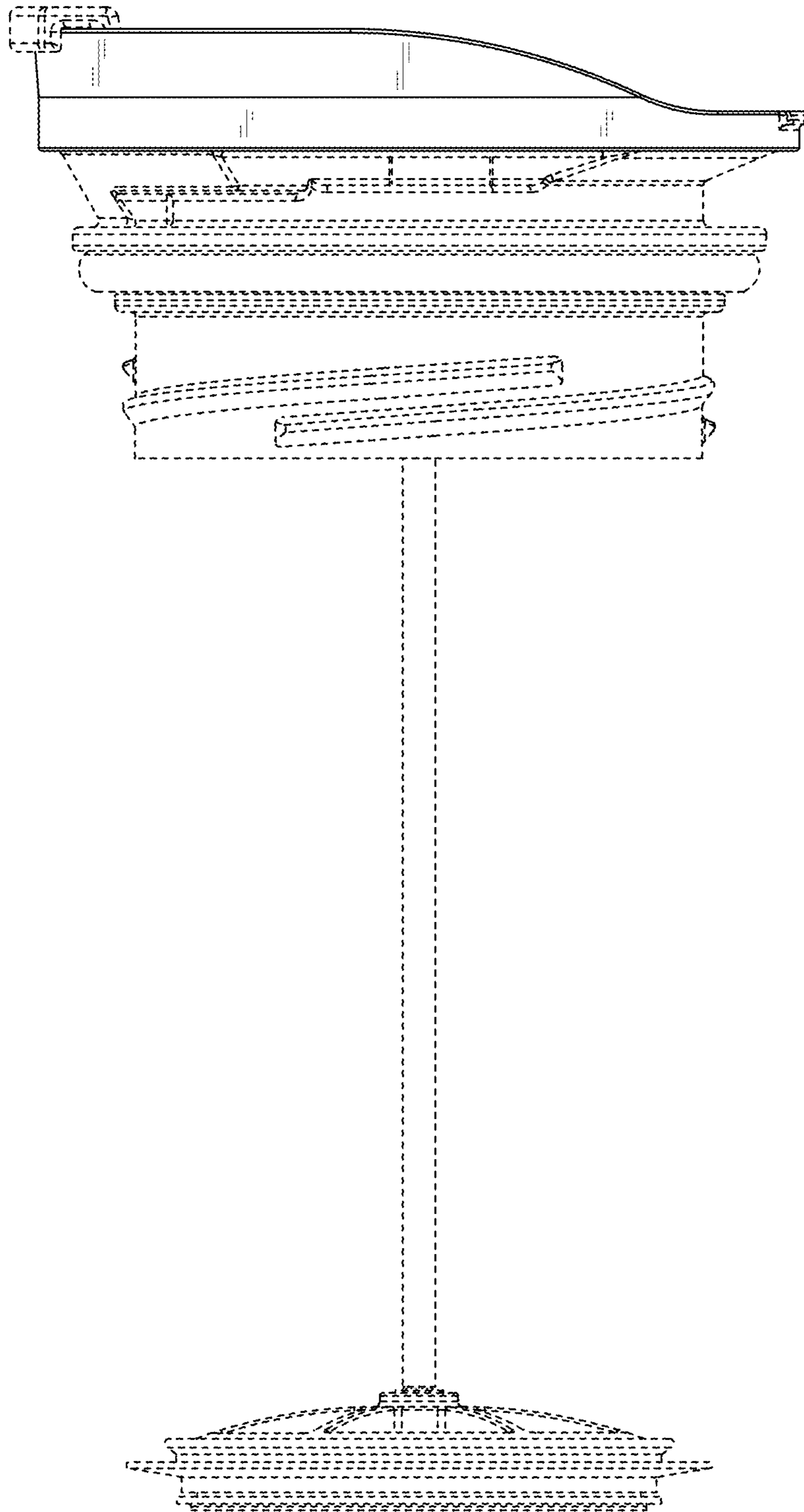


FIG. 6

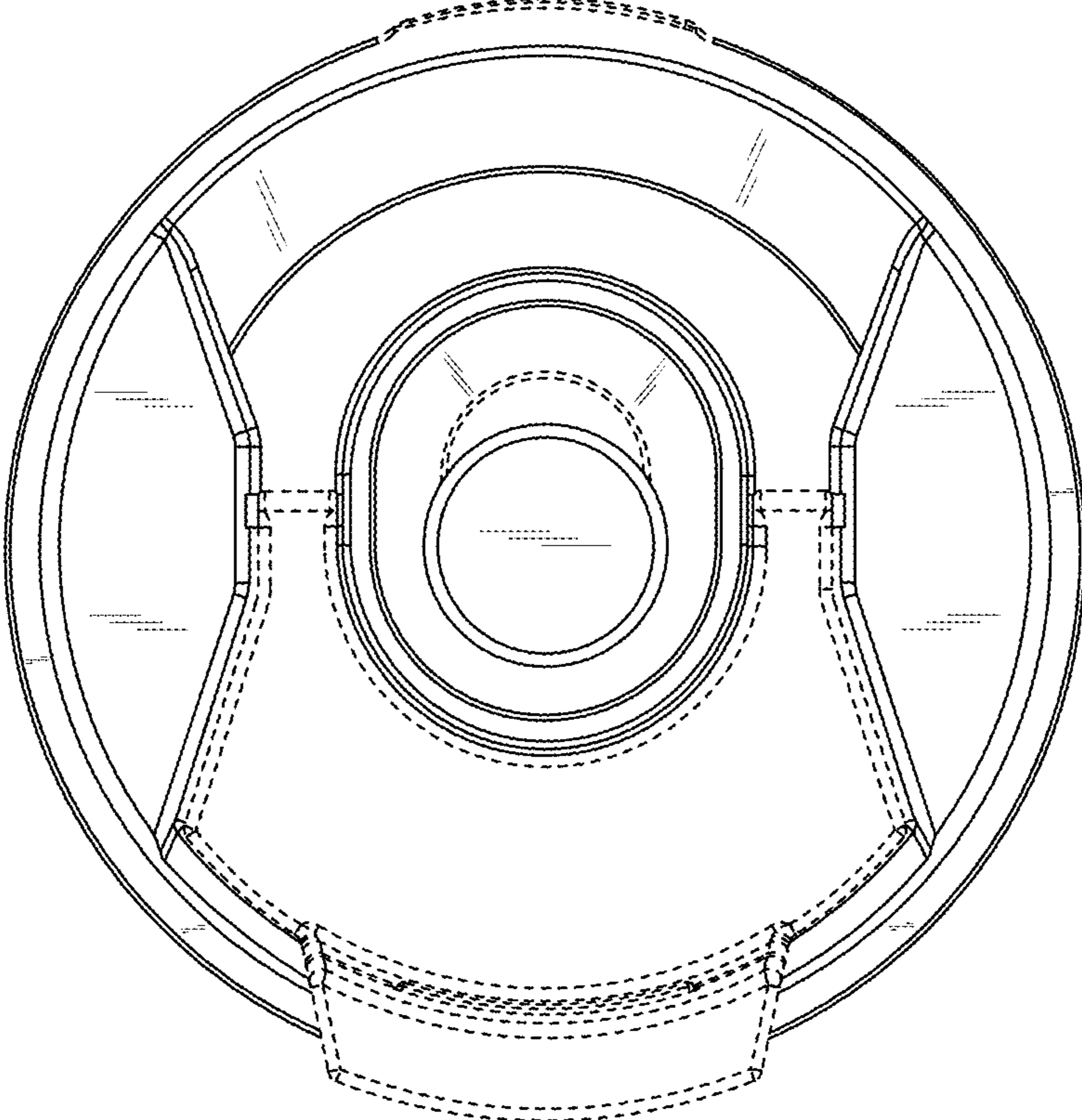


FIG. 7

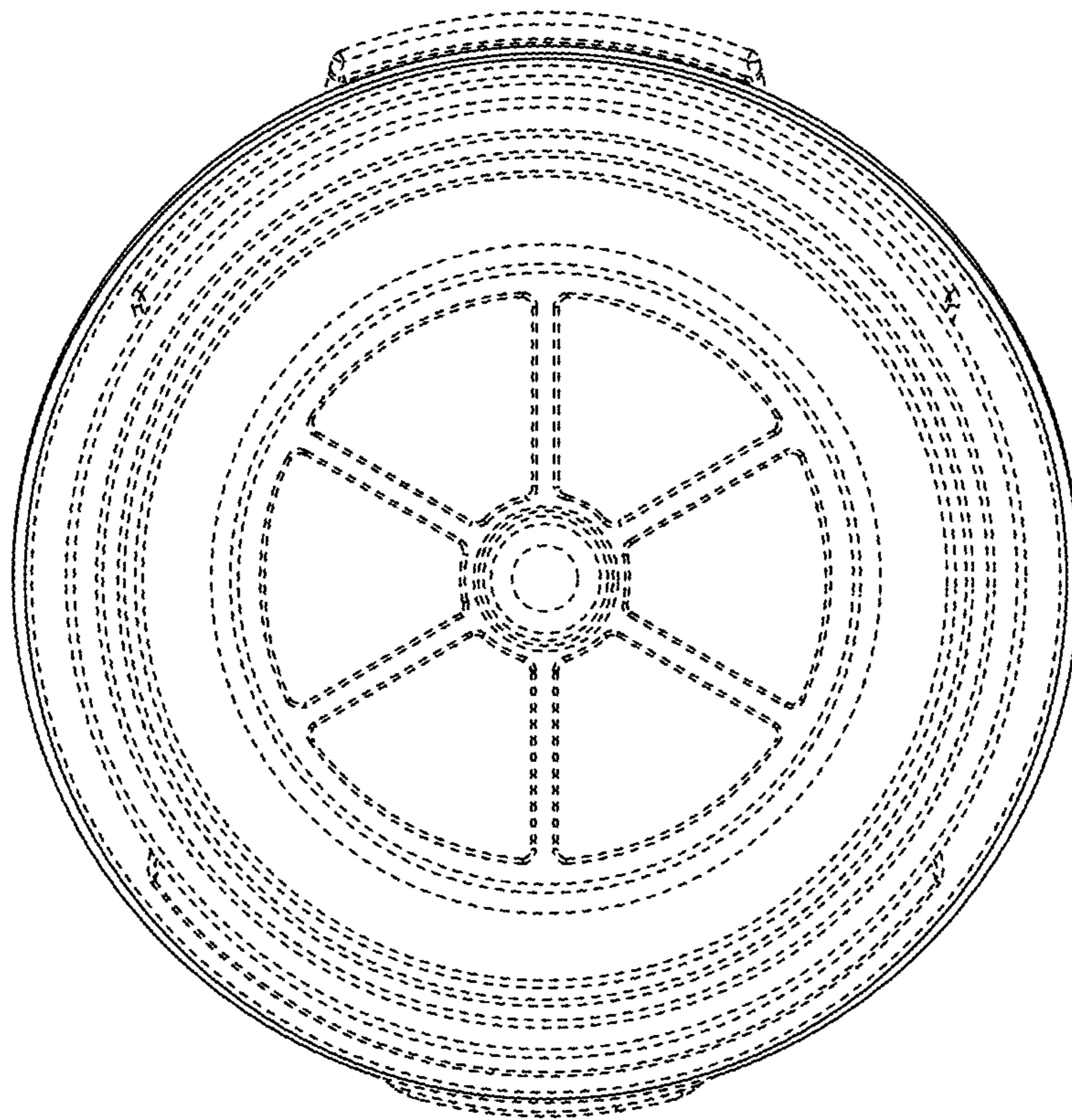


FIG. 8