



US00D862974S

(12) **United States Design Patent**
Miyawaki

(10) **Patent No.:** **US D862,974 S**

(45) **Date of Patent:** **** Oct. 15, 2019**

(54) **ELECTRIC GRIDDLE**

(71) Applicant: **IRIS OHYAMA INC.**, Sendai-shi,
Miyagi (JP)

(72) Inventor: **Masayuki Miyawaki**, Kakuda (JP)

(73) Assignee: **IRIS OHYAMA INC.**, Sendai-shi (JP)

(**) Term: **15 Years**

(21) Appl. No.: **29/645,219**

(22) Filed: **Apr. 24, 2018**

(30) **Foreign Application Priority Data**

Nov. 13, 2017 (JP) 2017-025256

(51) **LOC (12) Cl.** **07-02**

(52) **U.S. Cl.**
USPC **D7/362**

(58) **Field of Classification Search**

USPC D7/332-337, 352-356, 358, 362-364,
D7/366, 360; 126/25 R

CPC A47J 33/00; A47J 37/07; A47J 37/0704;
A47J 37/0713; A47J 37/0763; A47J
37/0786; A47J 2037/0777; A47J 37/0611;
A47J 37/067-0682; A47J 37/105; A47J
37/108; A47J 37/10; A47J 37/0629; A47J
27/004; F24C 3/14; F24B 1/202

See application file for complete search history.

(56) **References Cited**

U.S. PATENT DOCUMENTS

D366,592 S * 1/1996 Cesaroni D7/355

D542,592 S * 5/2007 Lubowicki D7/362

D591,553 S * 5/2009 Garman D7/363

(Continued)

OTHER PUBLICATIONS

An Office Action mailed by the Korean Intellectual Property Office dated Sep. 18, 2018, which corresponds to Korean Design Appli-

cation No. 30-2018-0009688 and is related to U.S. Appl. No. 29/645,219; with brief English translation.

Primary Examiner — Brett Miller

(74) *Attorney, Agent, or Firm* — Studebaker & Brackett PC

(57) **CLAIM**

The ornamental design for an electric griddle, as shown and described.

DESCRIPTION

FIG. 1 is a front, top and right-side perspective view of an electric griddle showing my new design;

FIG. 2 is a front view thereof;

FIG. 3 is a rear view thereof;

FIG. 4 is a top view thereof;

FIG. 5 is a bottom view thereof;

FIG. 6 is a right-side view thereof;

FIG. 7 is a left-side view thereof;

FIG. 8 is a front view of a lid portion of the electric griddle in FIG. 1, with a rear view being a mirror image thereof;

FIG. 9 is a top view thereof;

FIG. 10 is a bottom view thereof;

FIG. 11 is a right-side view thereof, with a left-side view being a mirror image thereof;

FIG. 12 is a front view of a body portion of the electric griddle in FIG. 1;

FIG. 13 is a rear view thereof;

FIG. 14 is a top view thereof;

FIG. 15 is a bottom view thereof;

FIG. 16 is a right-side view thereof;

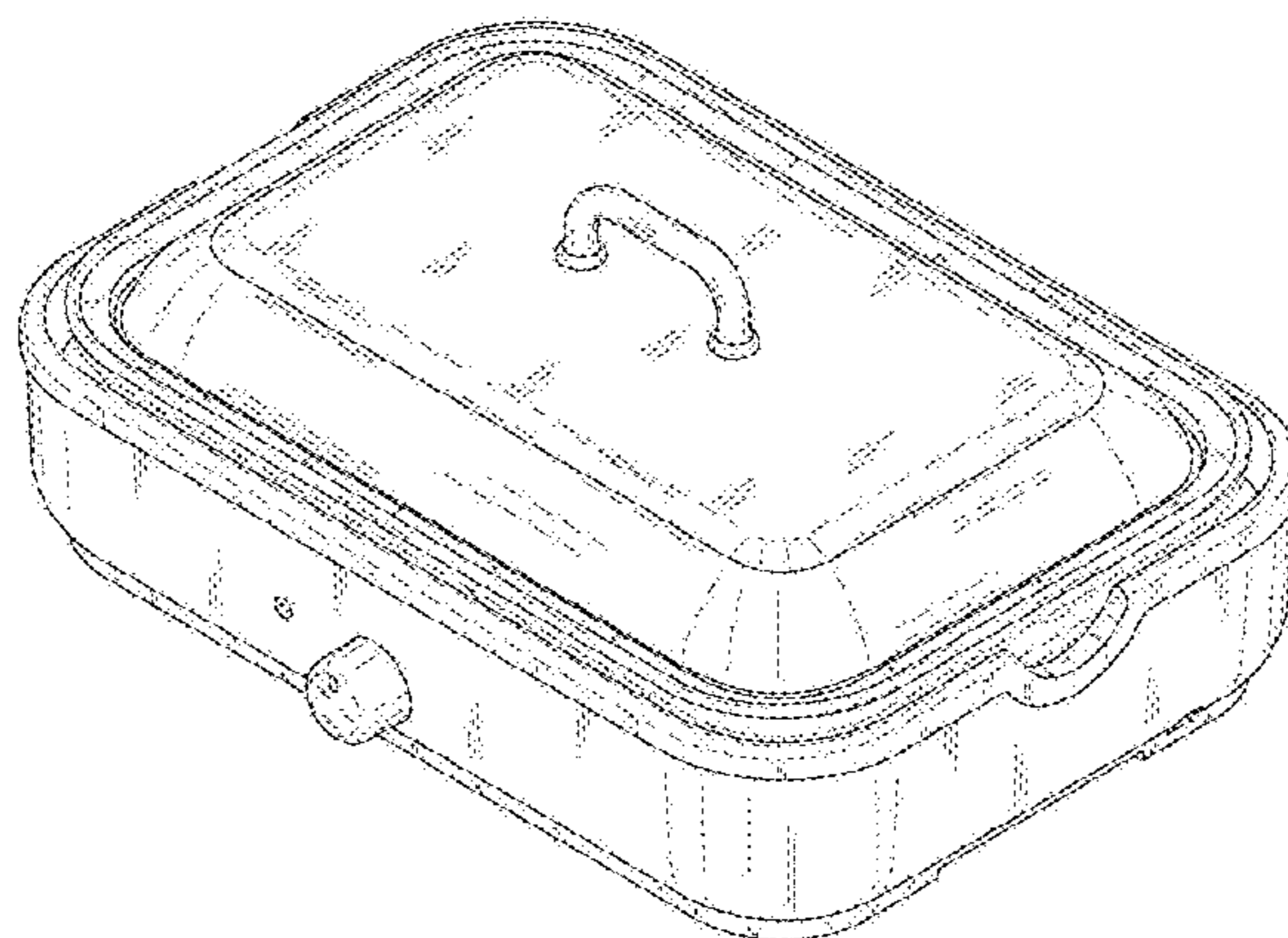
FIG. 17 is a left-side view thereof;

FIG. 18 is a cross-sectional view taken along line 18-18 in FIG. 2; and,

FIG. 19 is a cross-sectional view taken along line 19-19 in FIG. 4.

The broken lines shown represent unclaimed subject matter of the electric griddle and form no part of the claimed design.

1 Claim, 12 Drawing Sheets



(56)

References Cited

U.S. PATENT DOCUMENTS

D642,423 S * 8/2011 Seymour D7/354
D643,675 S * 8/2011 Seymour D7/354
D664,802 S * 8/2012 Upston D7/354
D672,190 S * 12/2012 Upston D7/354
D763,034 S * 8/2016 Berge D7/354
D836,966 S * 1/2019 Kurt D7/354
2007/0137499 A1* 6/2007 Leon A47J 37/0676
99/422
2013/0153581 A1* 6/2013 Barrows A47J 37/0629
220/573.4
2018/0192820 A1* 7/2018 Chang A47J 37/0629

* cited by examiner

FIG. 1

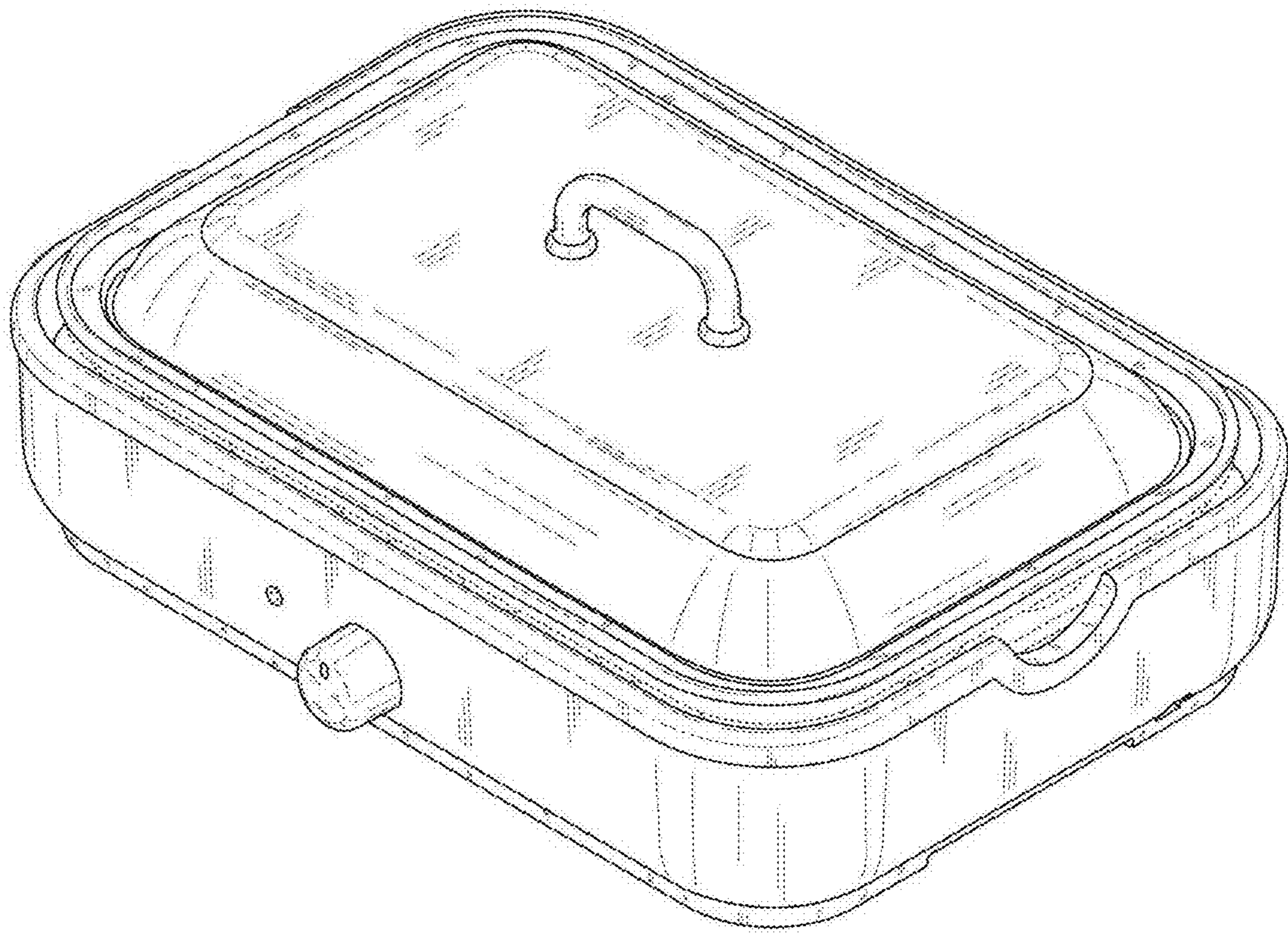


FIG. 2

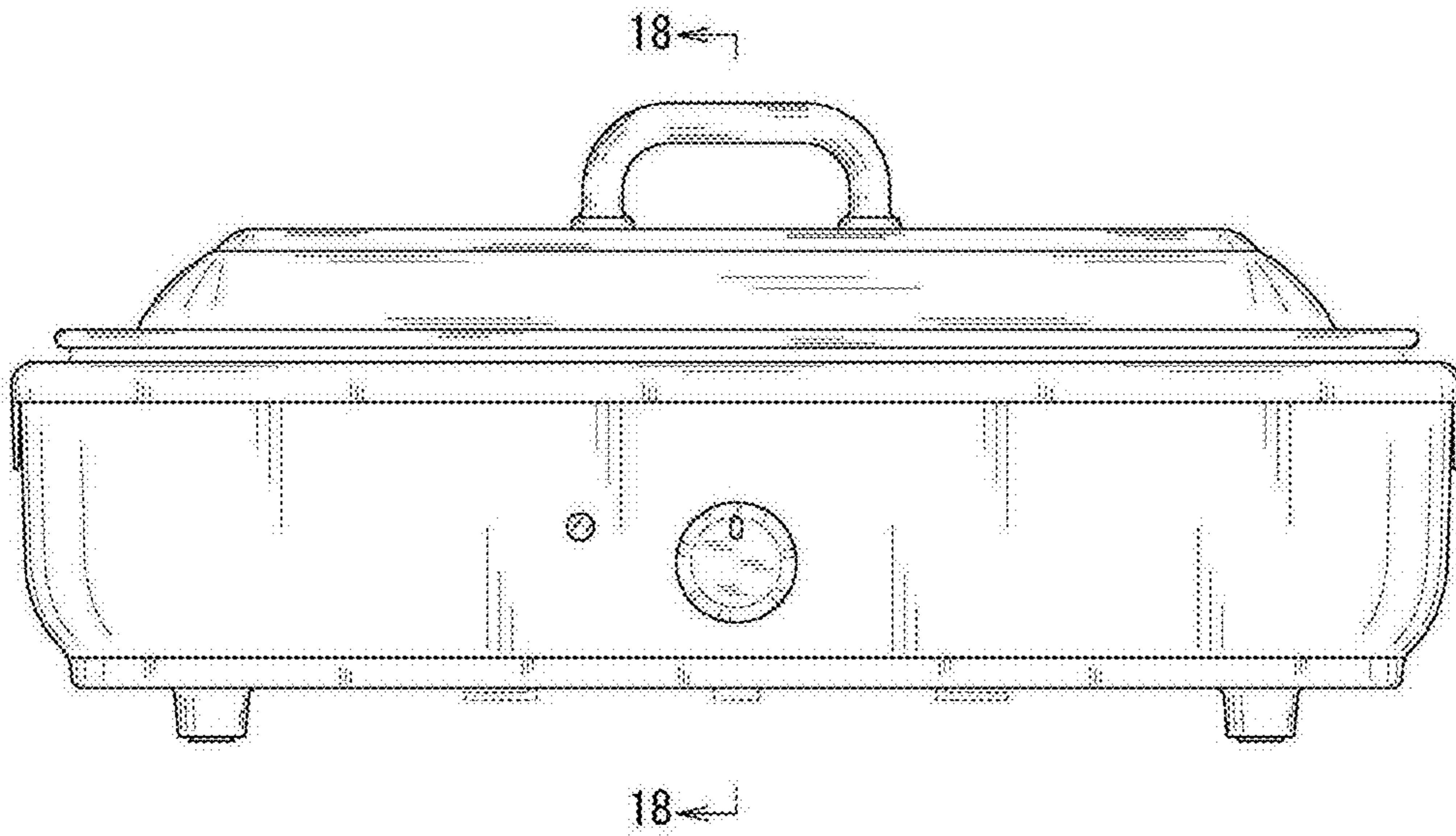


FIG. 3

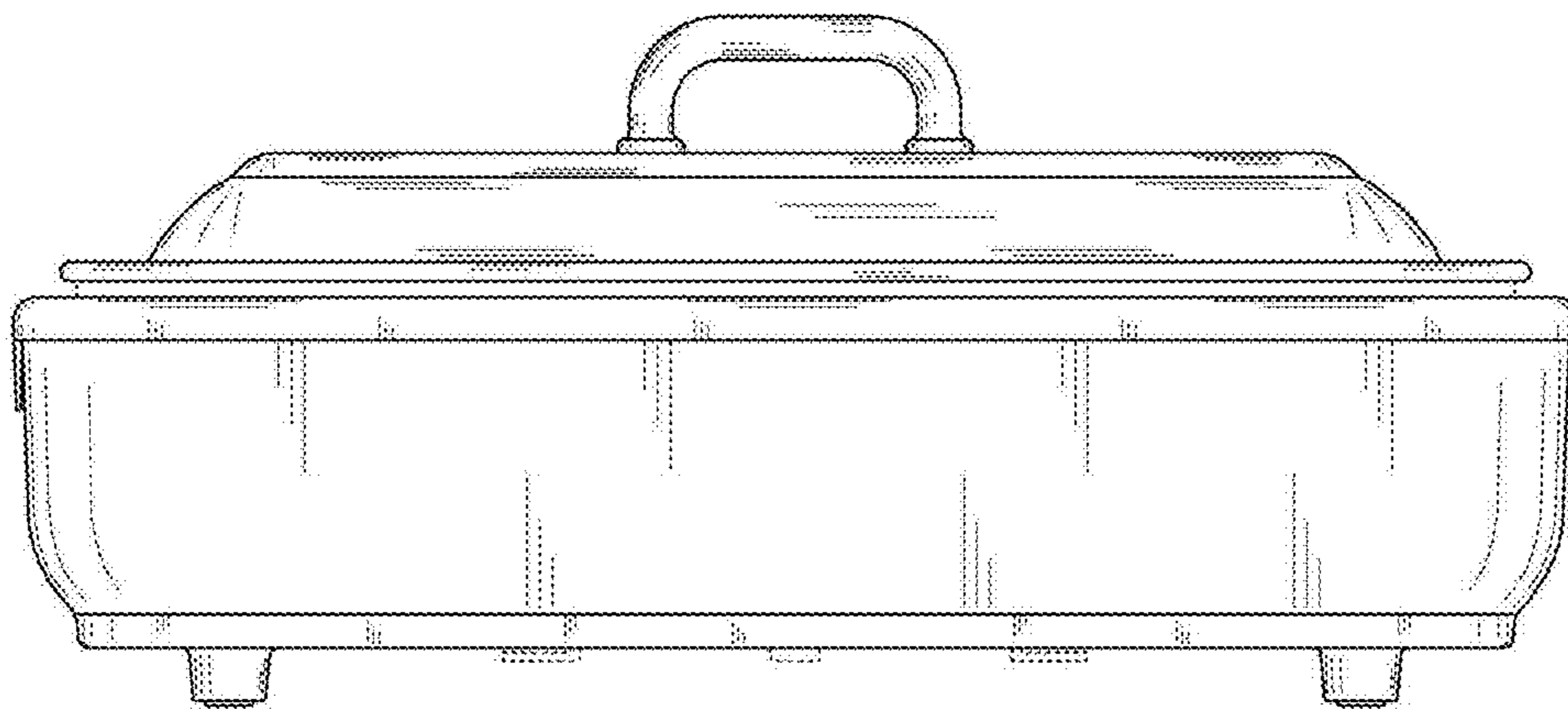


FIG. 4

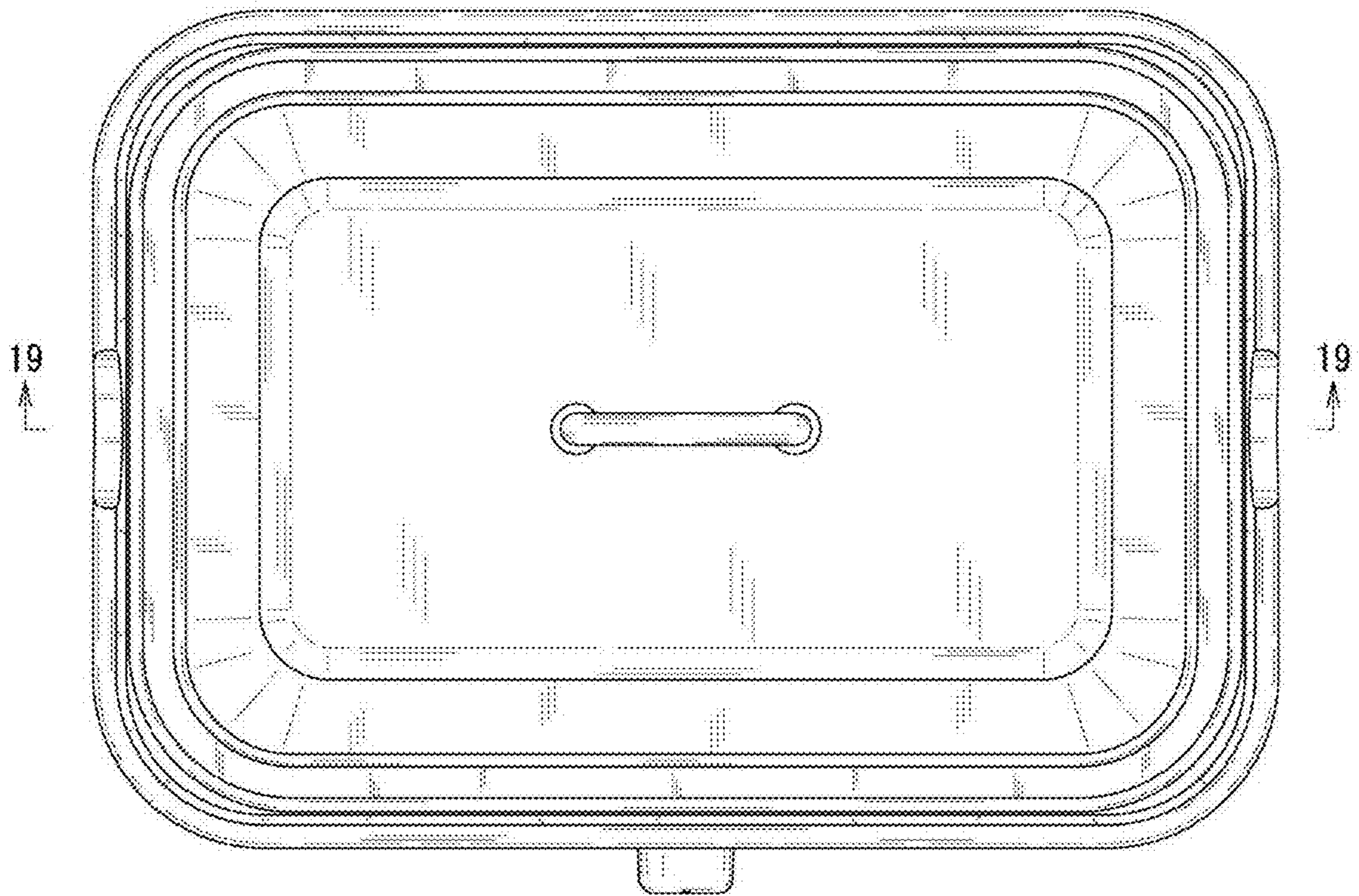


FIG. 5

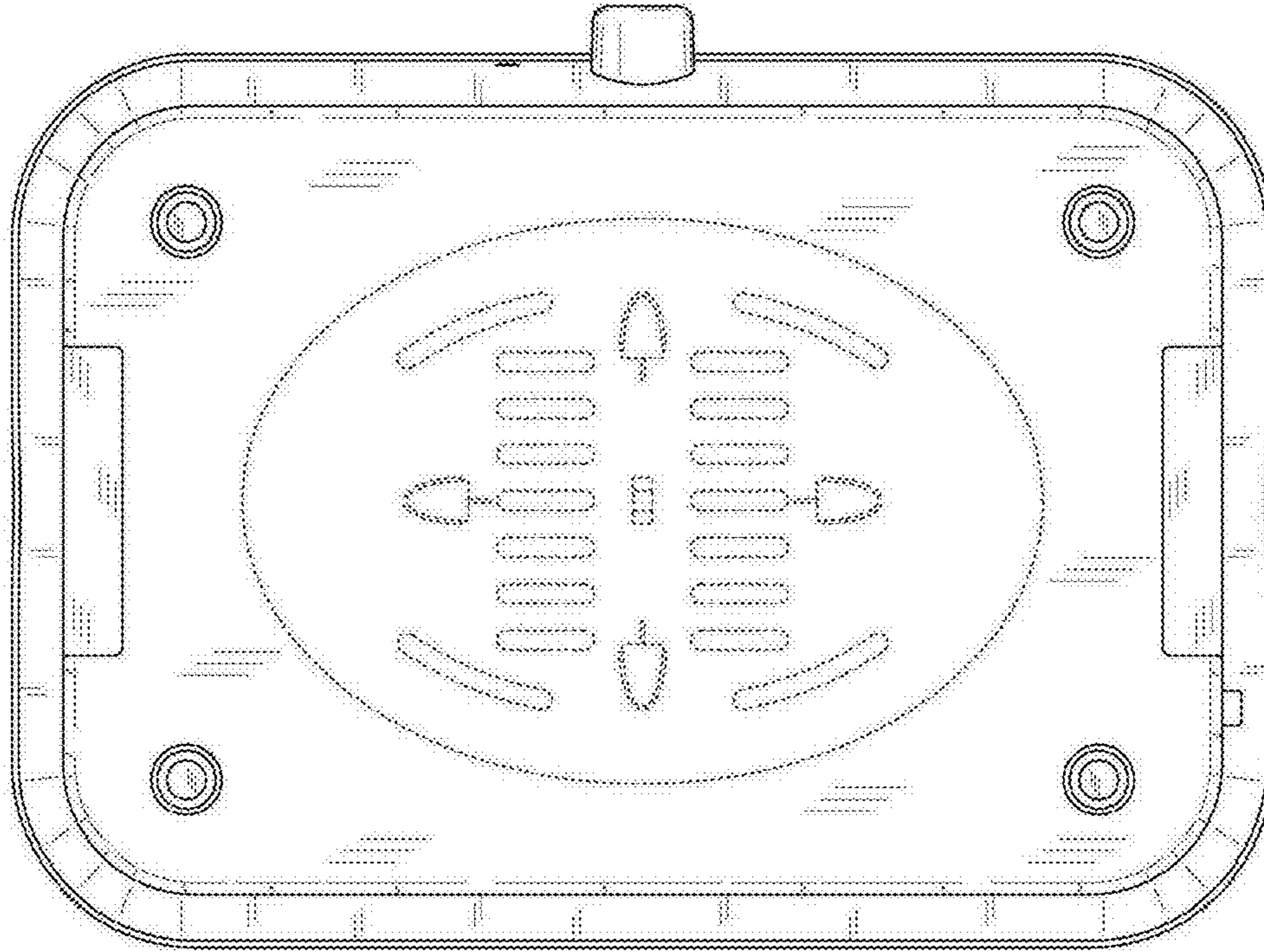


FIG. 6

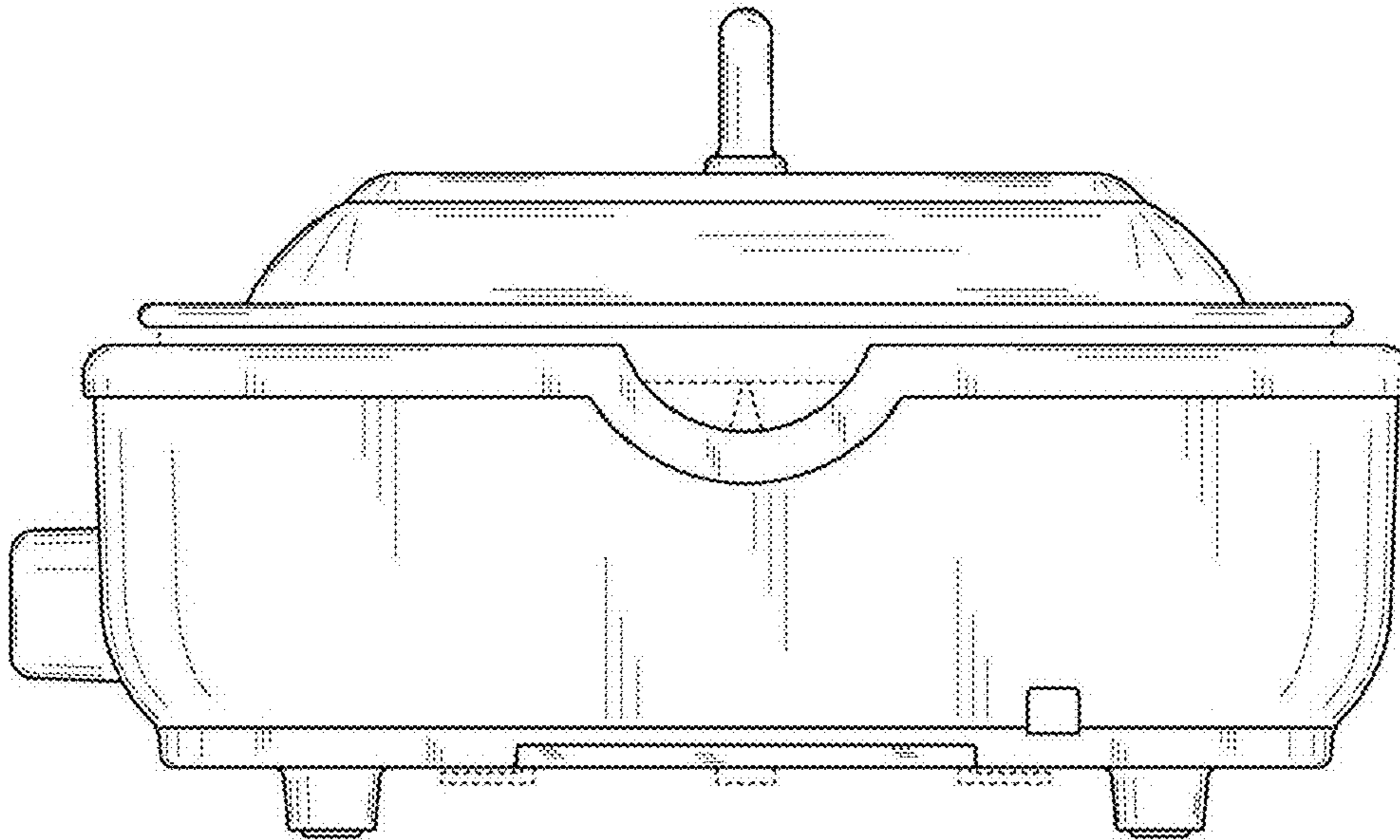


FIG. 7

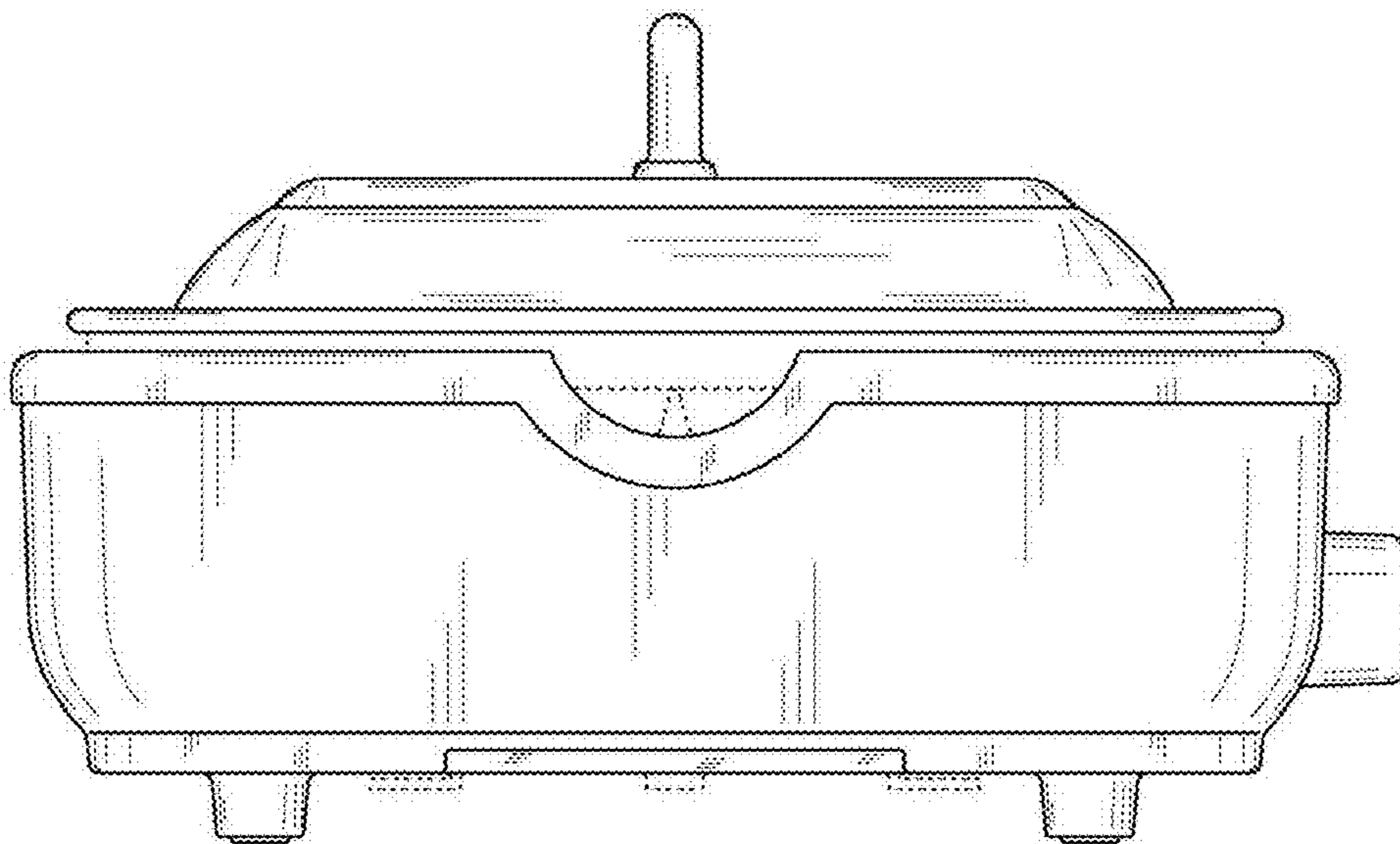


FIG. 8

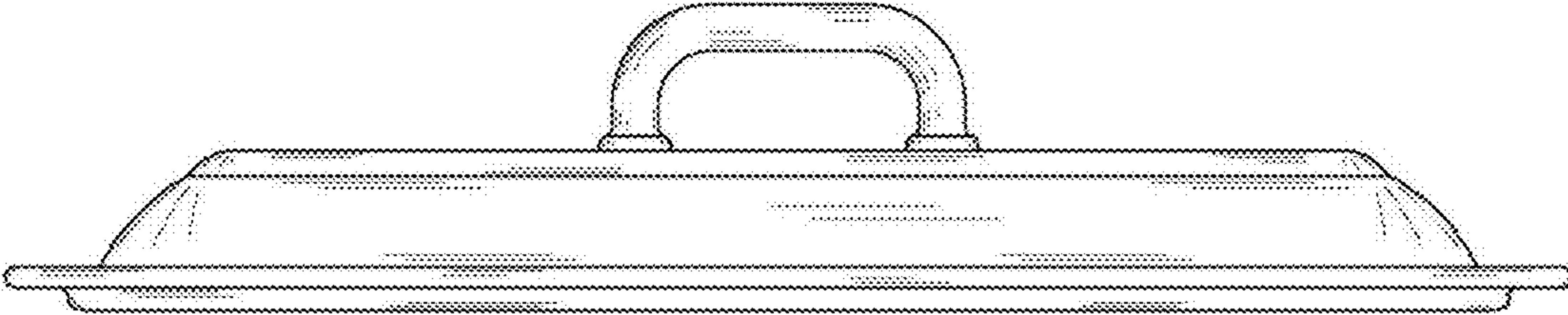


FIG. 9

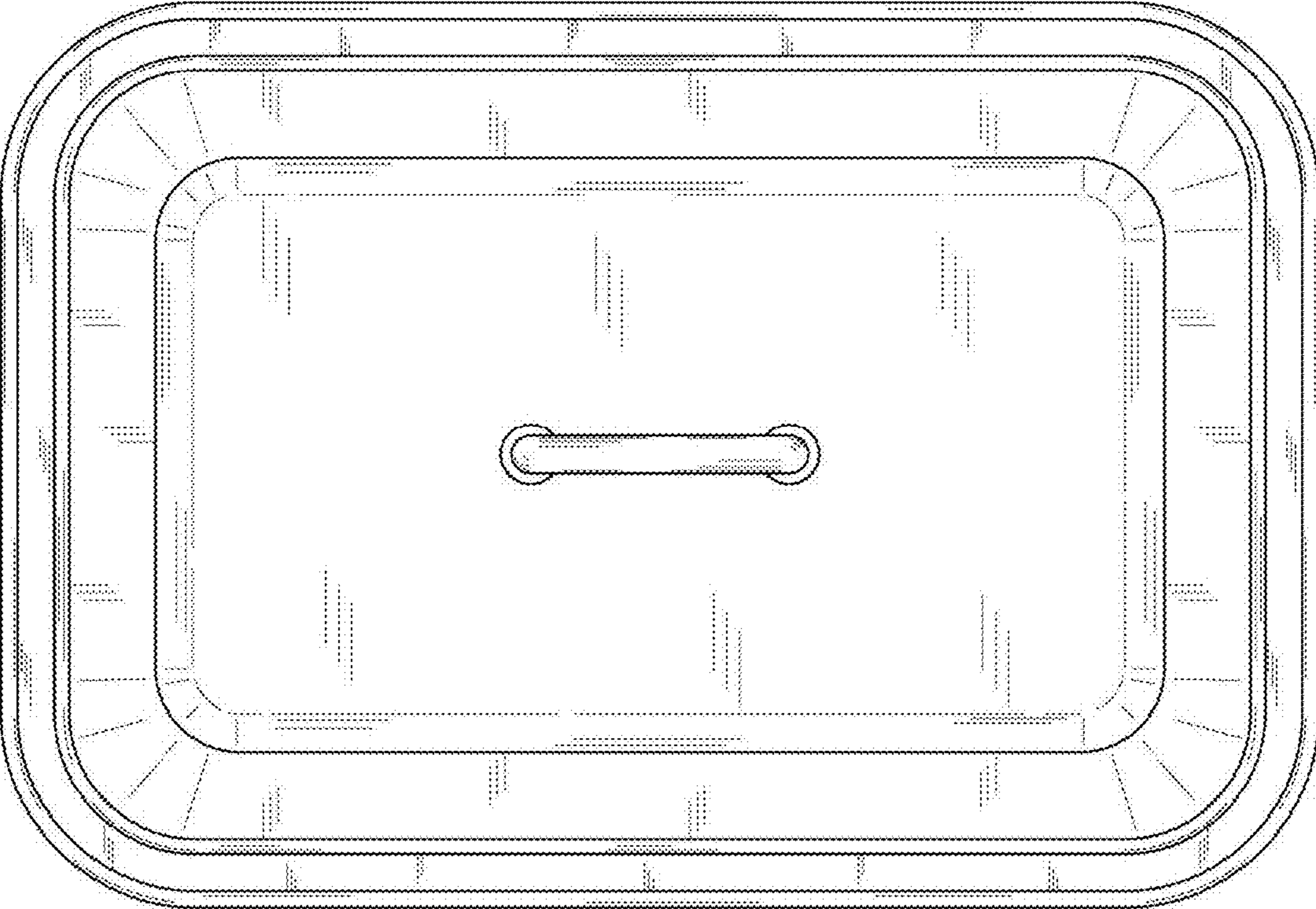


FIG. 10

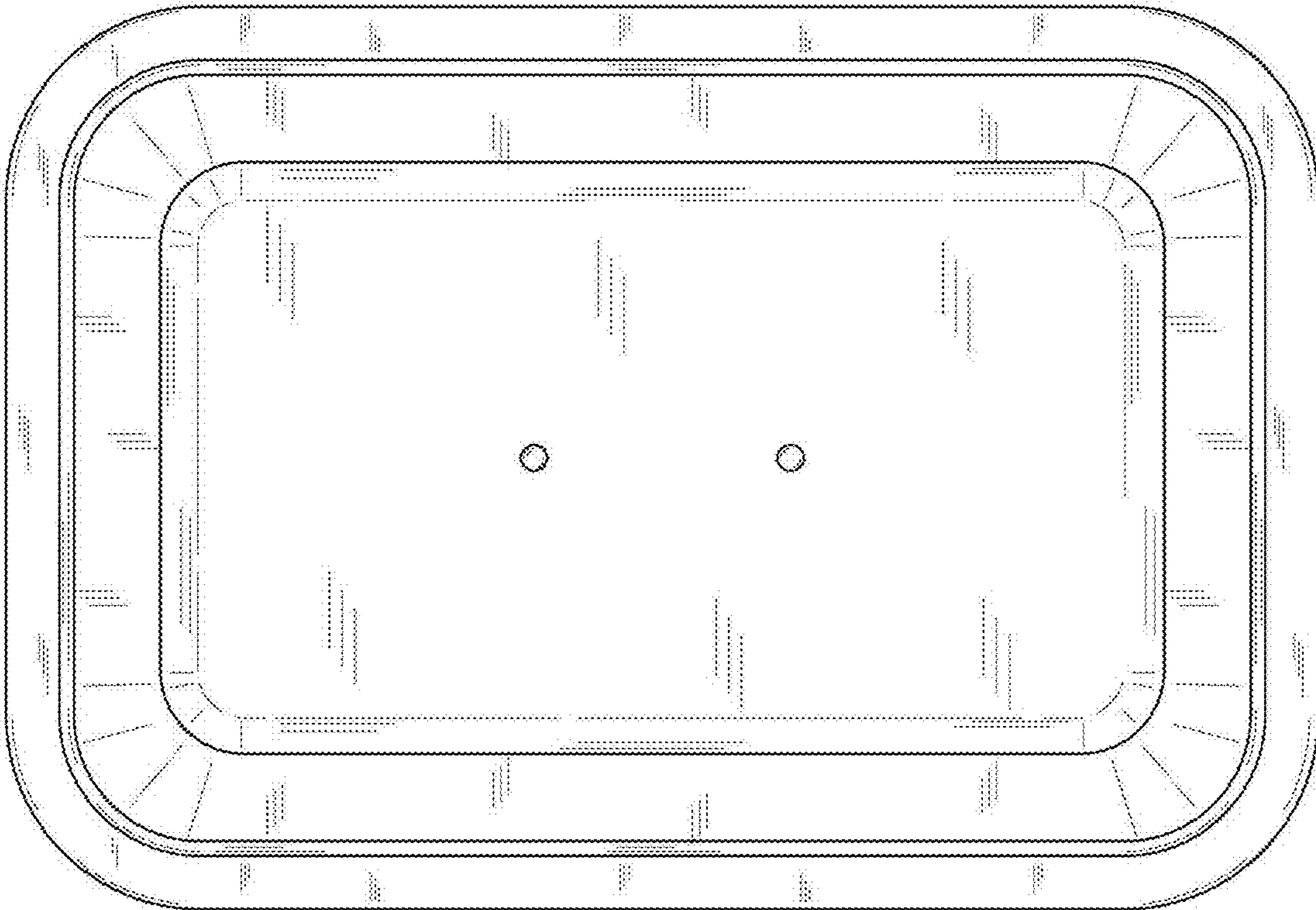


FIG. 11

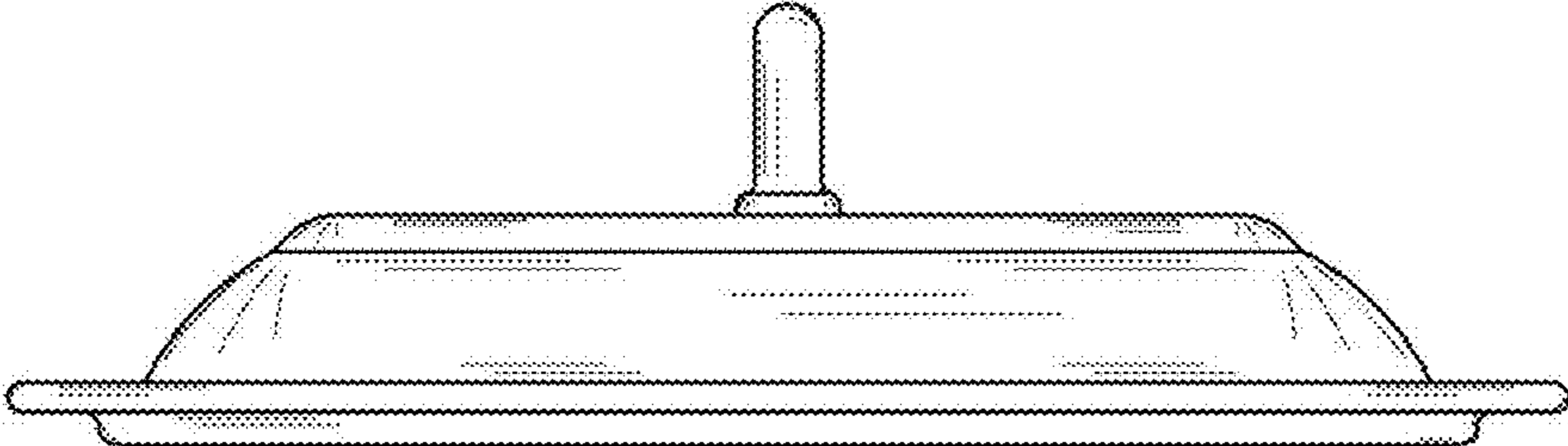


FIG. 12

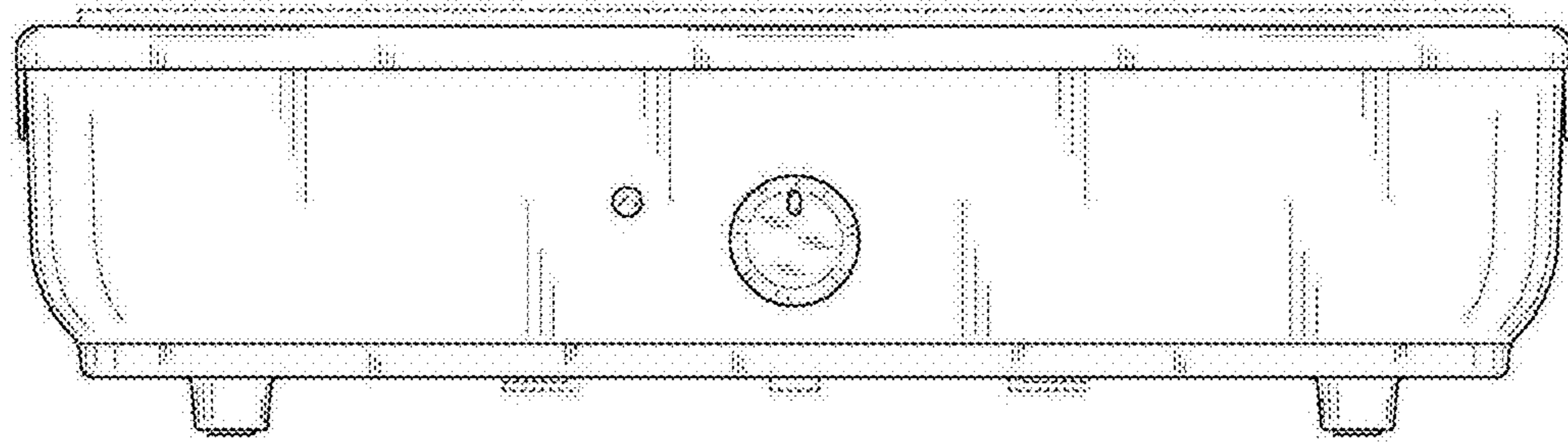


FIG. 13

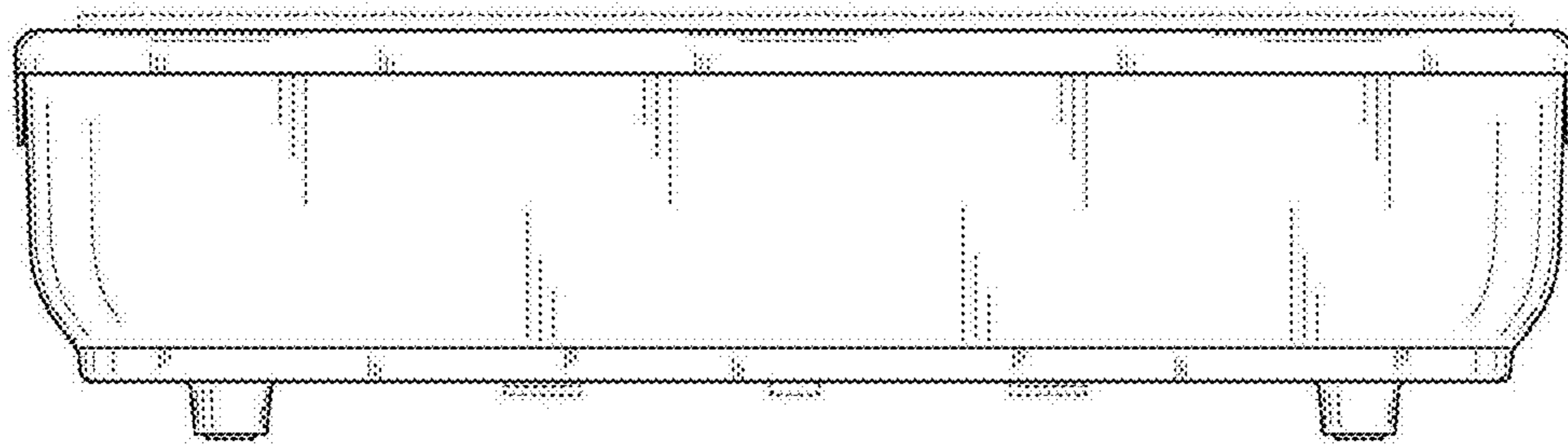


FIG. 14

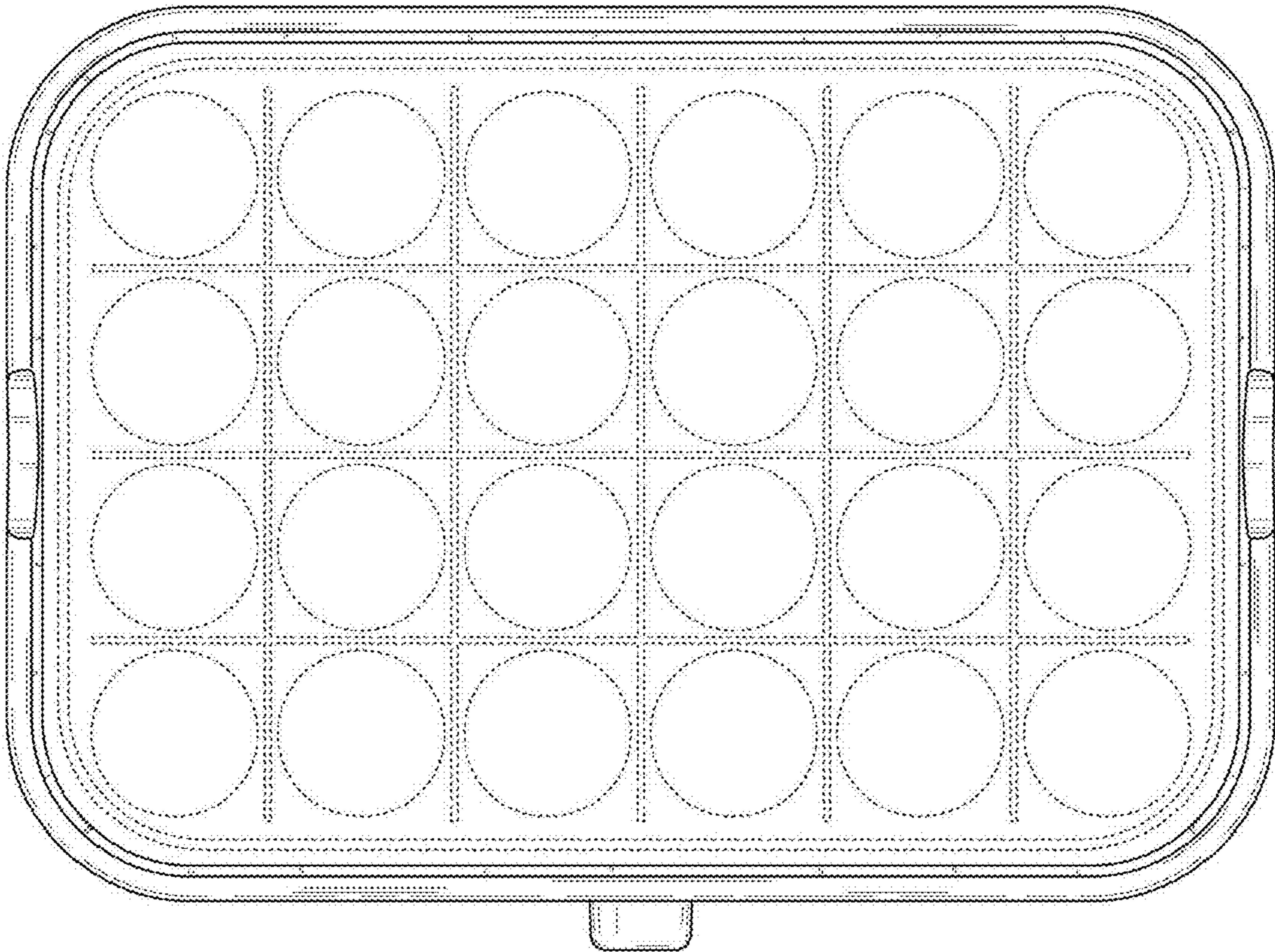


FIG. 15

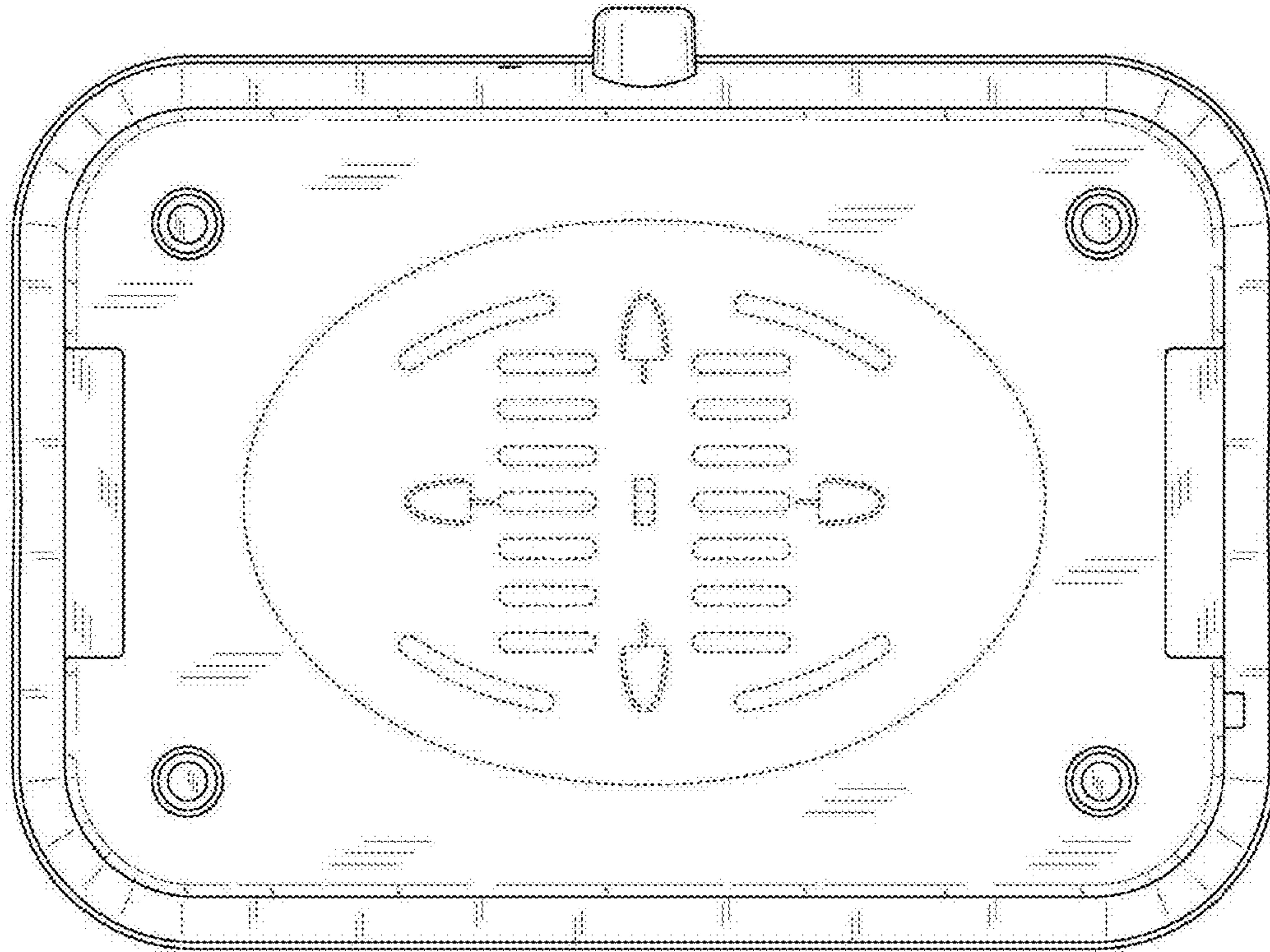


FIG. 16

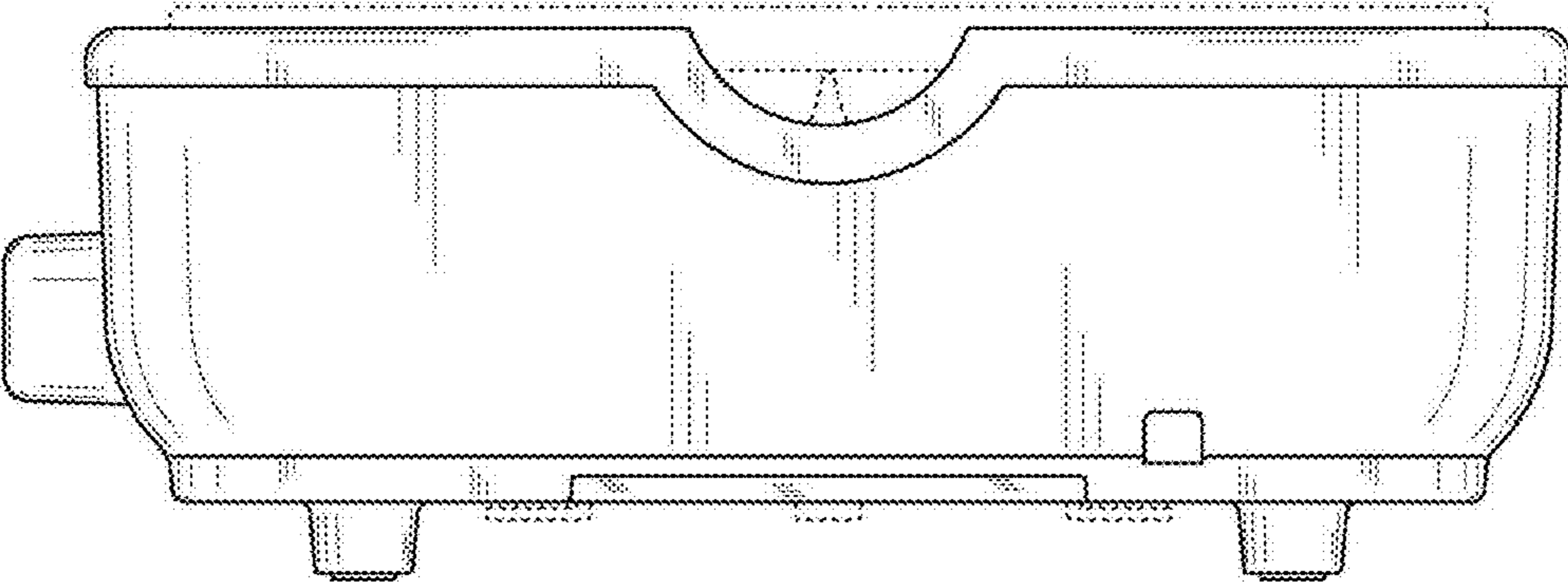


FIG. 17

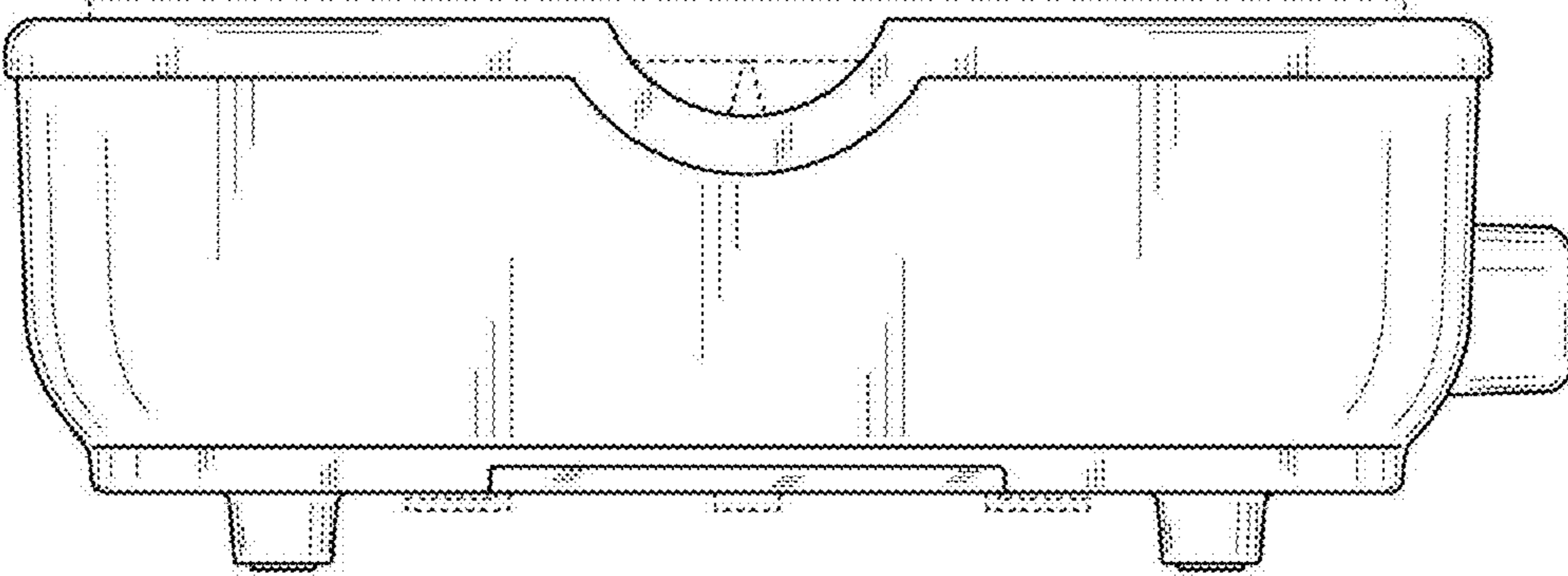


FIG. 18

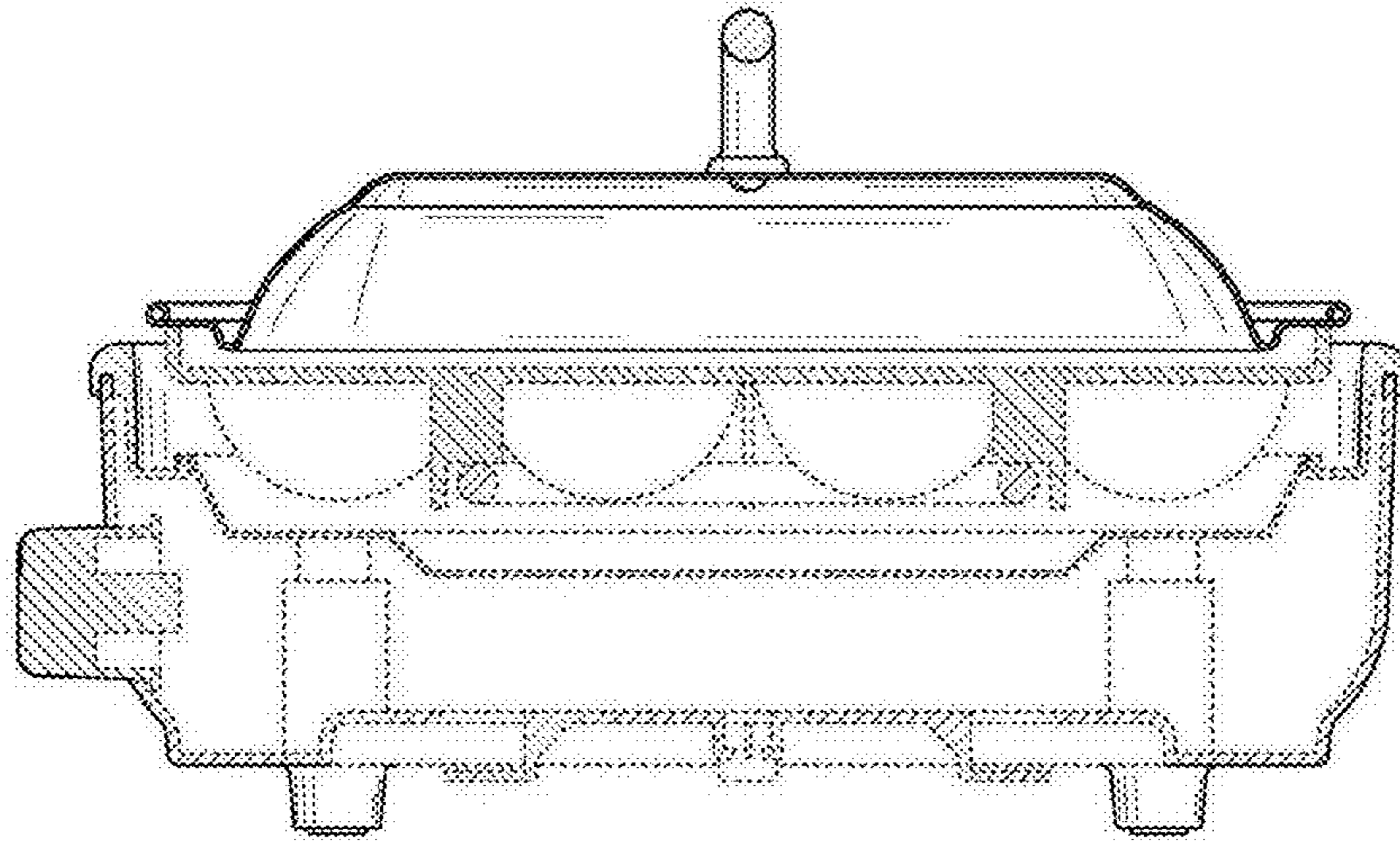


FIG. 19

