

US00D862973S

(12) **United States Design Patent**
Miyawaki

(10) **Patent No.:** **US D862,973 S**

(45) **Date of Patent:** **** Oct. 15, 2019**

(54) **RICE COOKER**

(71) Applicant: **Iris Ohyama Inc.**, Sendai-shi, Miyagi (JP)

(72) Inventor: **Masayuki Miyawaki**, Kakuda (JP)

(73) Assignee: **IRIS OHYAMA INC.**, Sendai-shi (JP)

(**) Term: **15 Years**

(21) Appl. No.: **29/688,832**

(22) Filed: **Apr. 24, 2019**

Related U.S. Application Data

(62) Division of application No. 29/649,510, filed on May 30, 2018.

(30) **Foreign Application Priority Data**

Dec. 6, 2017 (JP) 2017-027303

Dec. 6, 2017 (JP) 2017-027304

(51) **LOC (12) Cl.** **07-02**

(52) **U.S. Cl.**
USPC **D7/354**

(58) **Field of Classification Search**

USPC D7/323, 326, 354-361

CPC .. A47J 27/00; A47J 27/04; A47J 27/05; A47J 27/08; A47J 27/09; A47J 27/092; A47J 36/025; A47J 36/06; A47J 36/08; A47J 36/10; A47J 36/12; A47J 37/12; A47J 37/1204; A47J 37/1209; H05B 6/02; H05B 6/06; H05B 6/12

See application file for complete search history.

(56) **References Cited**

U.S. PATENT DOCUMENTS

D330,825 S 11/1992 Sekita et al.
D410,815 S 6/1999 Oger

D414,072 S * 9/1999 Powell D7/354
D423,277 S * 4/2000 Josancy D7/354
D452,412 S * 12/2001 Jeong D7/354
D475,570 S * 6/2003 Josancy D7/354
D489,223 S * 5/2004 Jung D7/354
D505,293 S * 5/2005 Jung D7/354
D587,960 S 3/2009 Kotani
D604,092 S 11/2009 Kotani
D609,522 S 2/2010 Nakatani
D632,128 S * 2/2011 Lam D7/354
D637,452 S 5/2011 Nakatani
D641,586 S 7/2011 Martin
D684,806 S 6/2013 Nakatani
D684,807 S 6/2013 Nakatani
D698,593 S * 2/2014 Ishikawa D7/354
D698,594 S 2/2014 Ishikawa
D712,695 S 9/2014 Horimoto
D715,088 S * 10/2014 Kim D7/354
D715,090 S * 10/2014 Lin D7/354
D730,678 S * 6/2015 Horimoto D7/354

(Continued)

Primary Examiner — Ricky Pham

(74) *Attorney, Agent, or Firm* — Studebaker & Brackett PC

(57) **CLAIM**

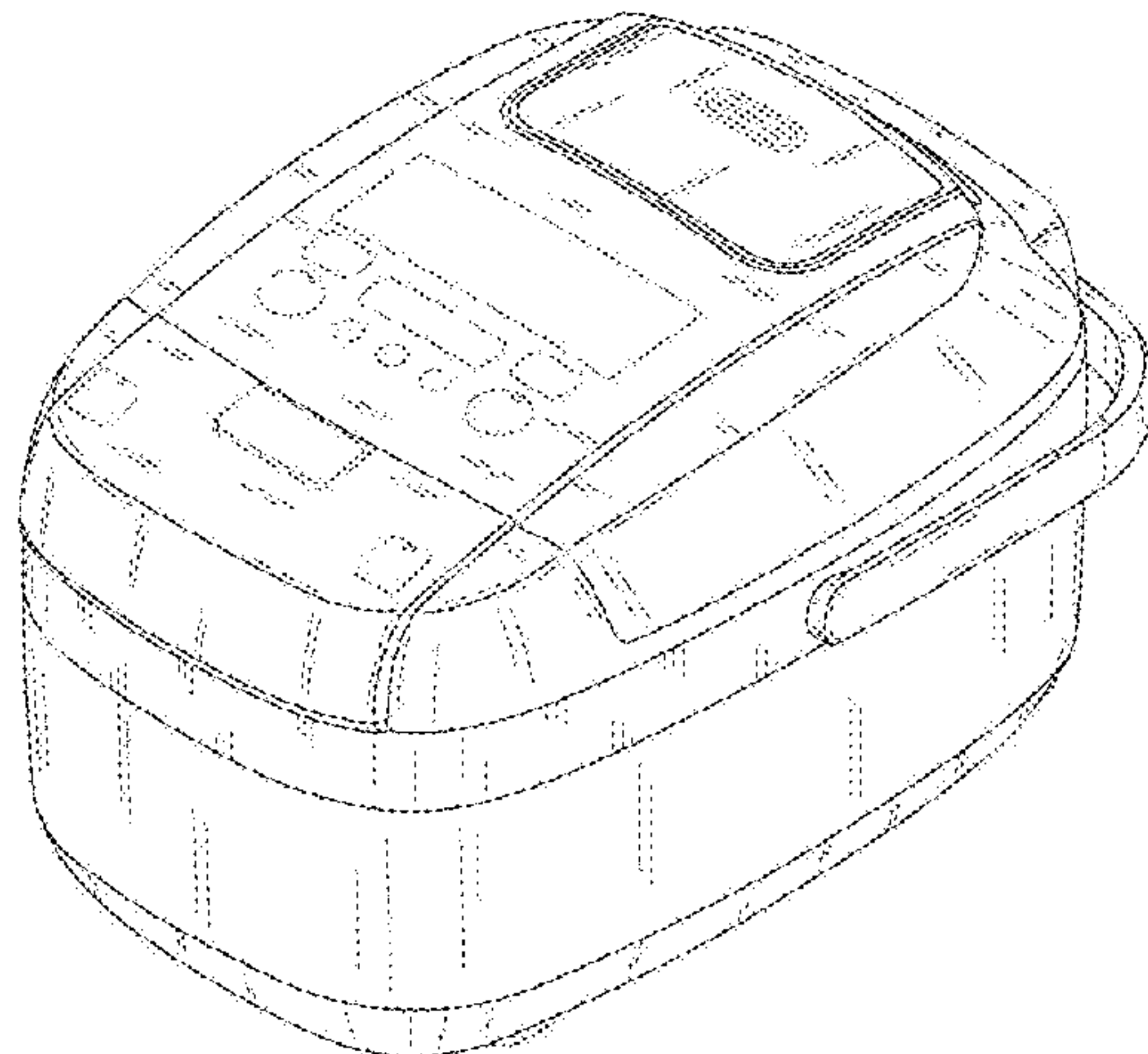
The ornamental design for a rice cooker, as shown and described.

DESCRIPTION

FIG. 1 is a front, top, and right-side perspective view of a rice cooker showing my new design;
FIG. 2 is a front view thereof;
FIG. 3 is a rear view thereof;
FIG. 4 is a top view thereof;
FIG. 5 is a bottom view thereof;
FIG. 6 is a right-side view thereof; and,
FIG. 7 is a left-side view thereof.

The broken lines shown represent unclaimed subject matter of the rice cooker and form no part of the claimed design.

1 Claim, 7 Drawing Sheets



(56)

References Cited

U.S. PATENT DOCUMENTS

D765,460 S	9/2016	Akiyama	
D823,634 S	7/2018	Miyawaki	
D830,104 S *	10/2018	Miyawaki	D7/354
D831,402 S *	10/2018	Patel	D7/326

* cited by examiner

FIG. 1

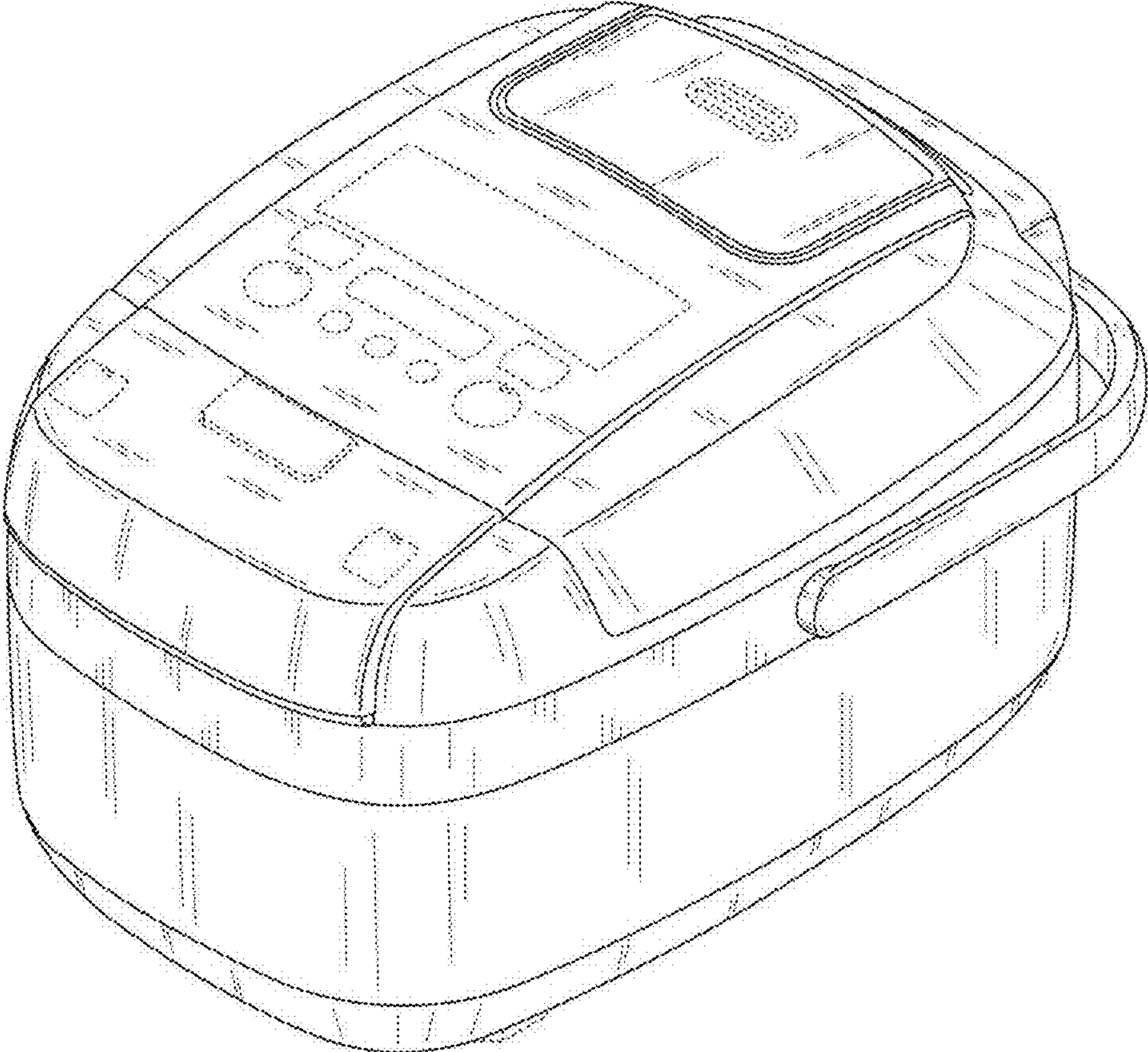


FIG. 2

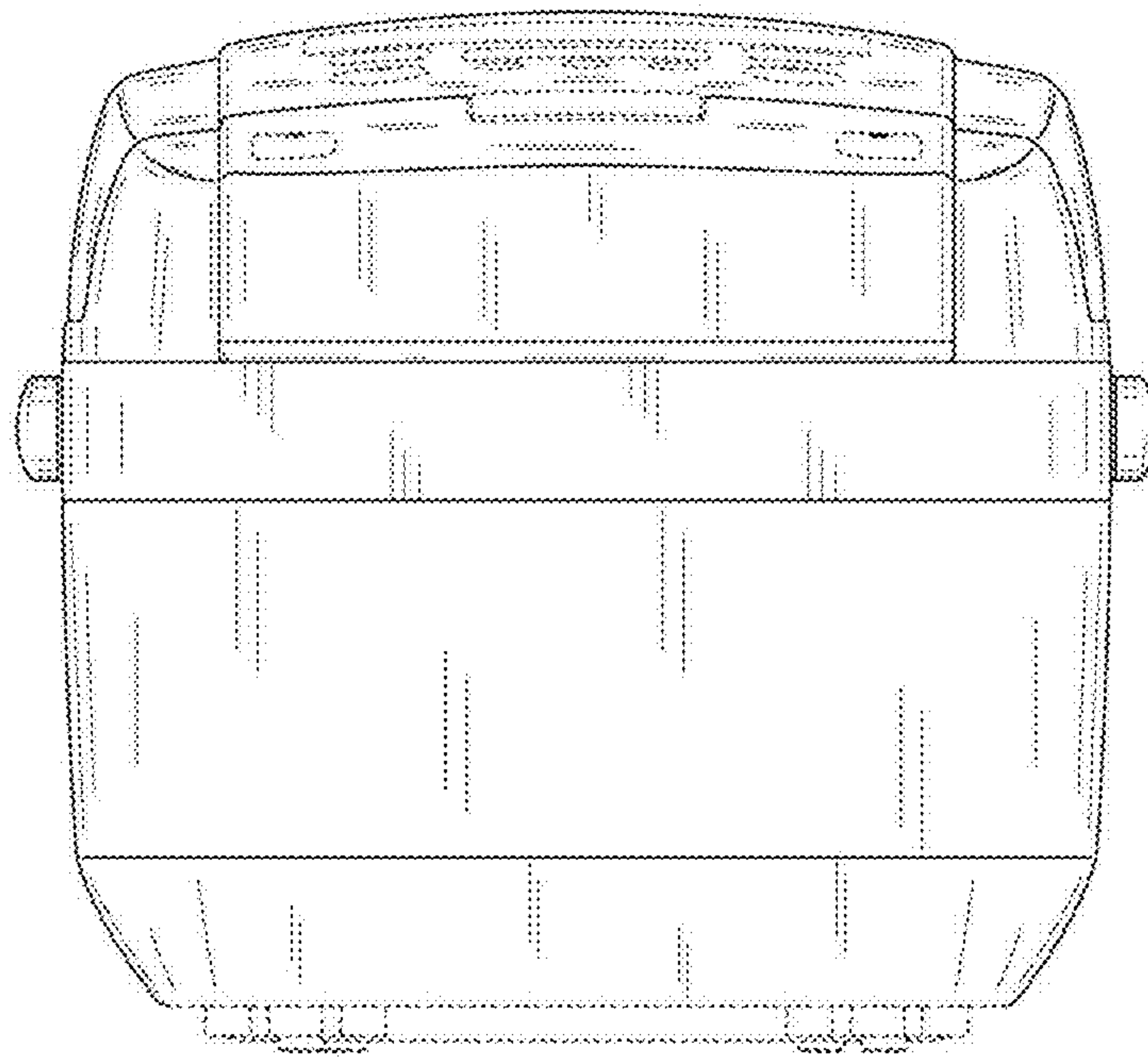


FIG. 3

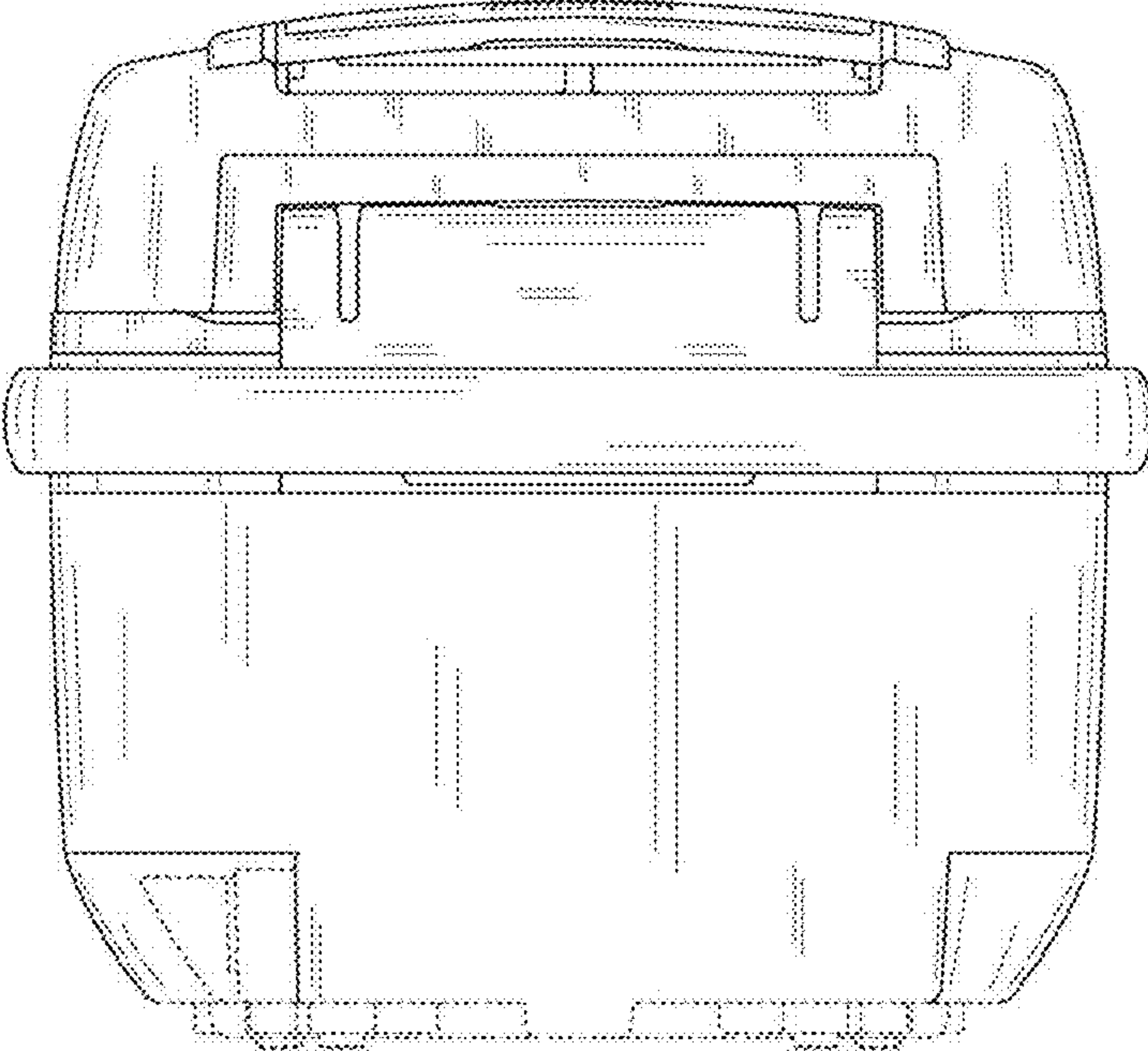


FIG. 4

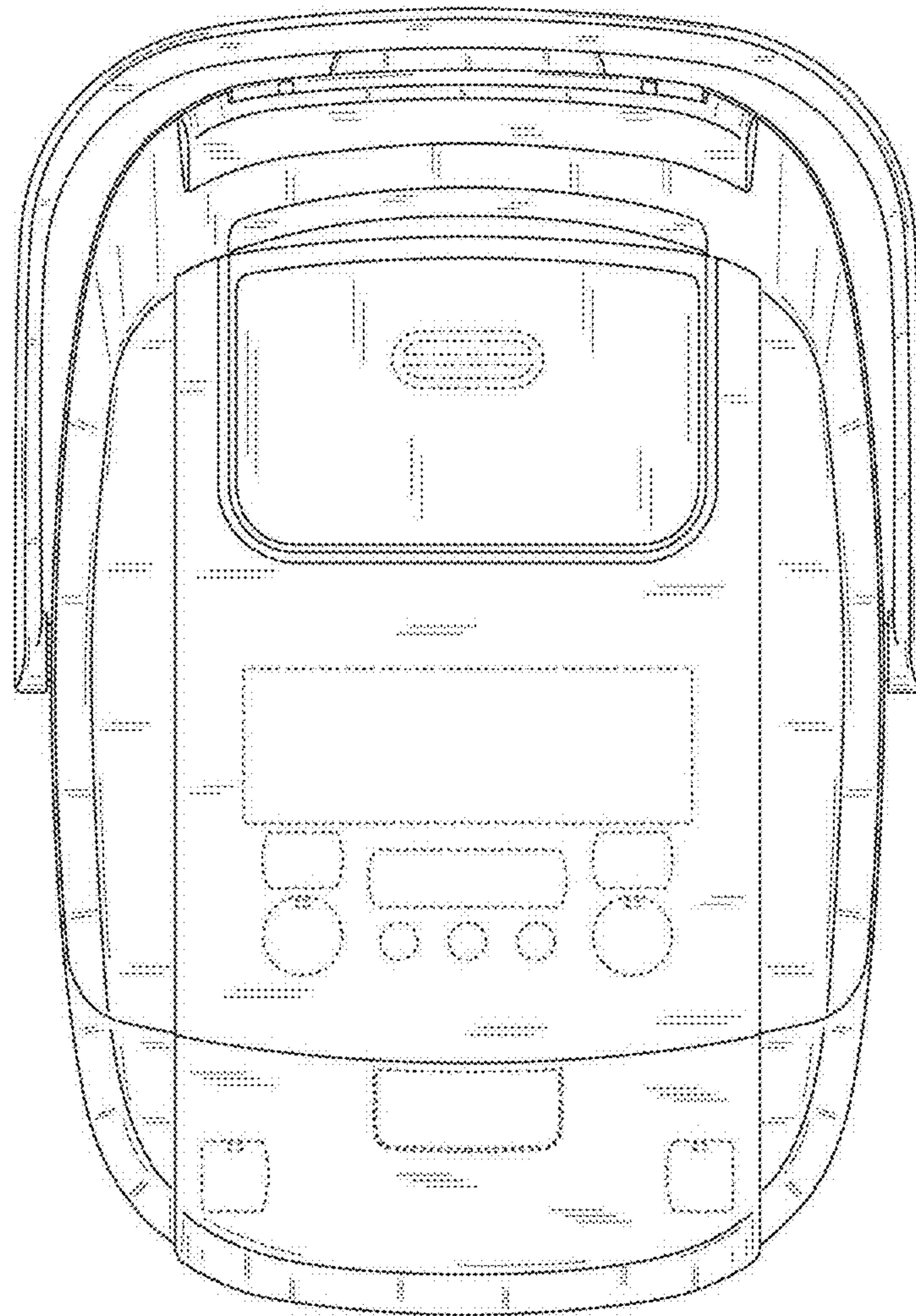


FIG. 5

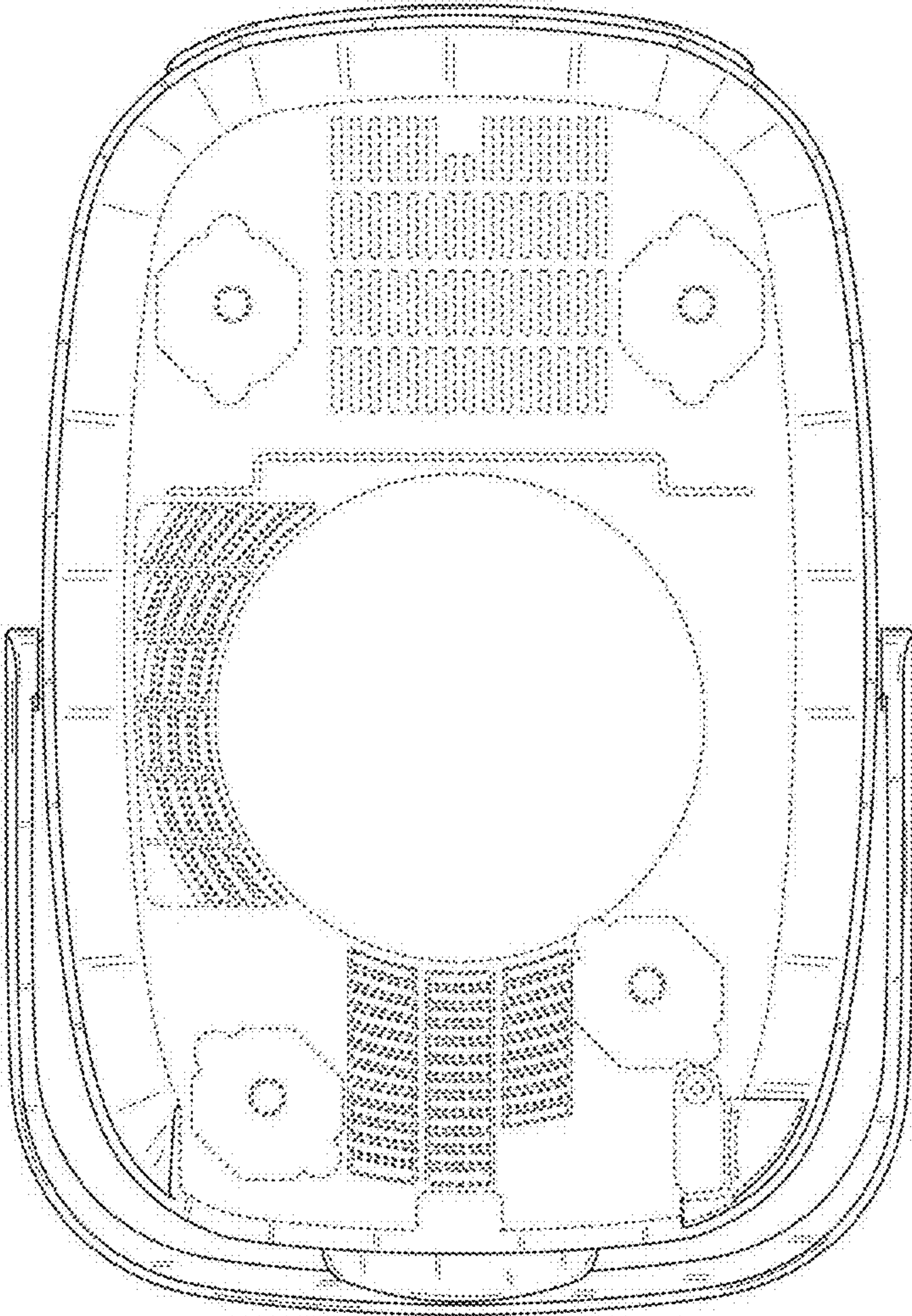


FIG. 6

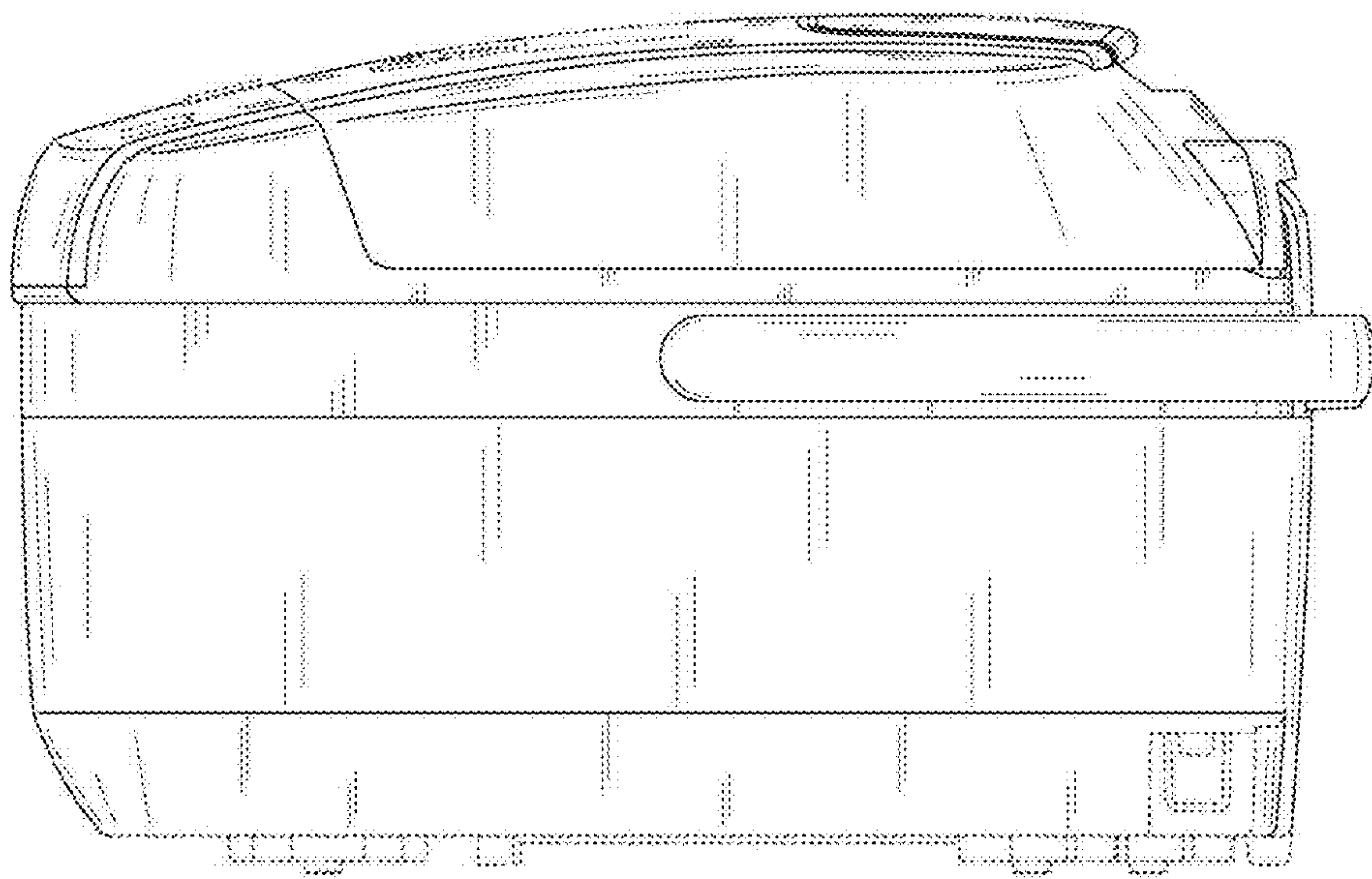


FIG. 7

