



US00D862972S

(12) **United States Design Patent**
Hatuka

(10) **Patent No.:** **US D862,972 S**
(45) **Date of Patent:** **** Oct. 15, 2019**

- (54) **FOLDABLE BAKING TRAY**
- (71) Applicant: **Avishai Hatuka**, Tel Aviv (IL)
- (72) Inventor: **Avishai Hatuka**, Tel Aviv (IL)
- (**) Term: **15 Years**
- (21) Appl. No.: **29/649,996**
- (22) Filed: **Jun. 4, 2018**
- (51) **LOC (12) Cl.** **07-02**
- (52) **U.S. Cl.**
USPC **D7/354**
- (58) **Field of Classification Search**
USPC D7/323, 354–361, 543, 545, 549, 550.1,
D7/553.1–553.8, 554.1–554.4, 555, 584,
D7/586; D9/423, 430–433, 455–456,
D9/737, 756–762
CPC A21B 3/00; A21B 3/13; A21B 3/15; A21B
3/131; A21B 3/134; A21B 5/00; A21B
5/02; A47J 36/022; A47J 36/025; A47J
36/027; A47J 37/00; A47J 37/04; A47J
37/01; A47L 13/52; B29C 33/20; B29C
49/04; B65D 1/22; B65D 1/24; B65D
1/34; B65D 1/36; B65D 5/36; B65D
5/2023; B65D 7/26; B65D 81/343; B65D
85/36
See application file for complete search history.

(56) **References Cited**

U.S. PATENT DOCUMENTS

- 428,792 A * 5/1890 Willey B29C 33/20
249/172
- 711,813 A * 10/1902 Austin B29C 49/04
220/504
- 1,760,325 A * 5/1930 Small B65D 5/36
206/292

- 3,062,429 A * 11/1962 Liman B65D 5/2023
229/100
- 3,186,585 A * 6/1965 Denny B65D 7/26
206/511
- 3,502,488 A * 3/1970 Bridgford A21B 3/131
229/138
- 3,828,966 A * 8/1974 Martin A47J 36/022
220/495.03
- D348,607 S * 7/1994 Young D9/423
- 6,102,278 A * 8/2000 Rothas A47L 13/52
15/257.1
- 6,684,760 B1 * 2/2004 Rajusth A21B 3/13
220/574
- 7,766,184 B2 * 8/2010 Avery A21B 3/131
206/557
- 9,016,493 B2 * 4/2015 Friedl A47J 37/01
220/573.1
- D738,157 S * 9/2015 Krumm D7/354

* cited by examiner

Primary Examiner — Ricky Pham

(74) *Attorney, Agent, or Firm* — The IP Law Firm of Guy Levi, LLC

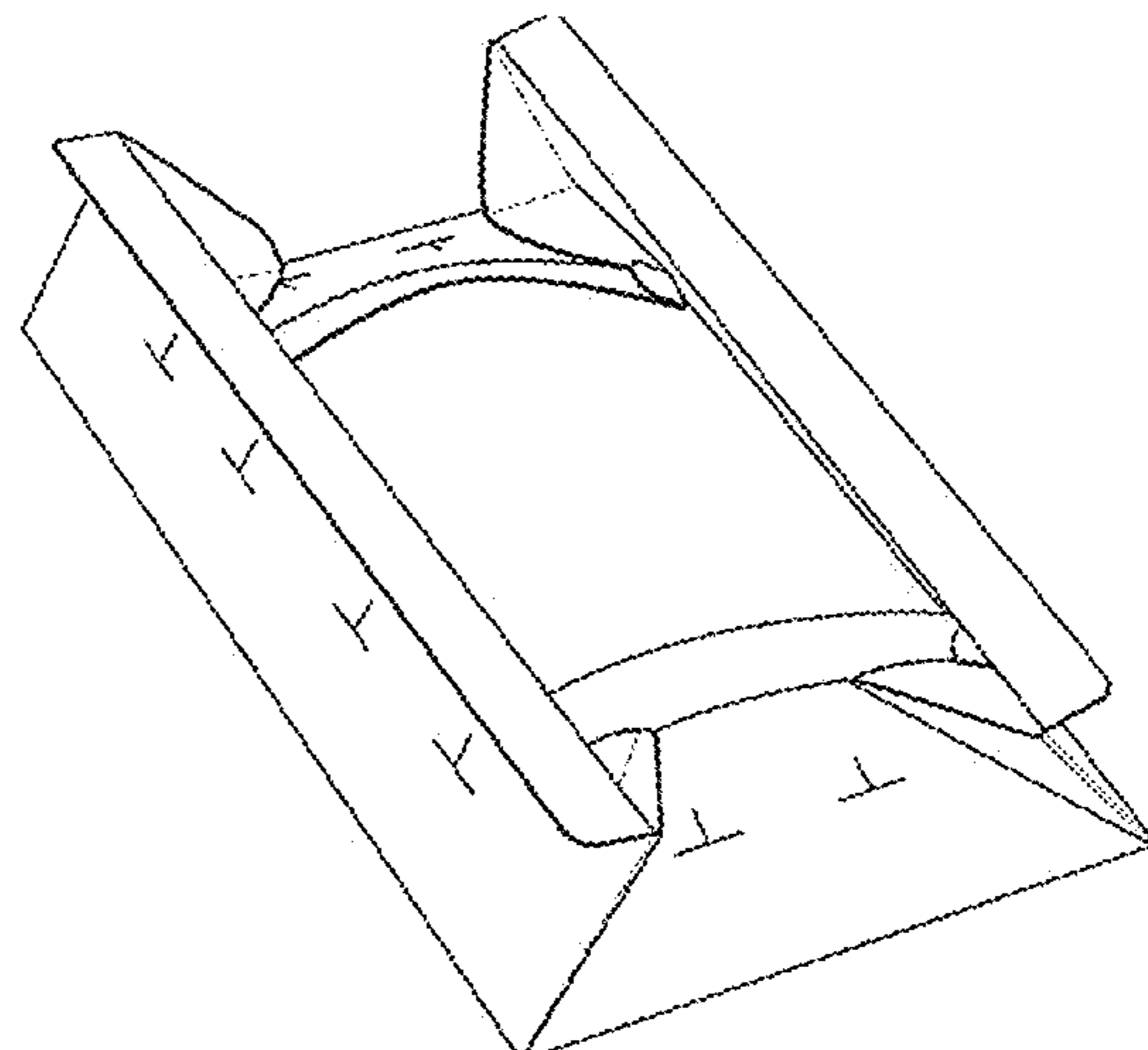
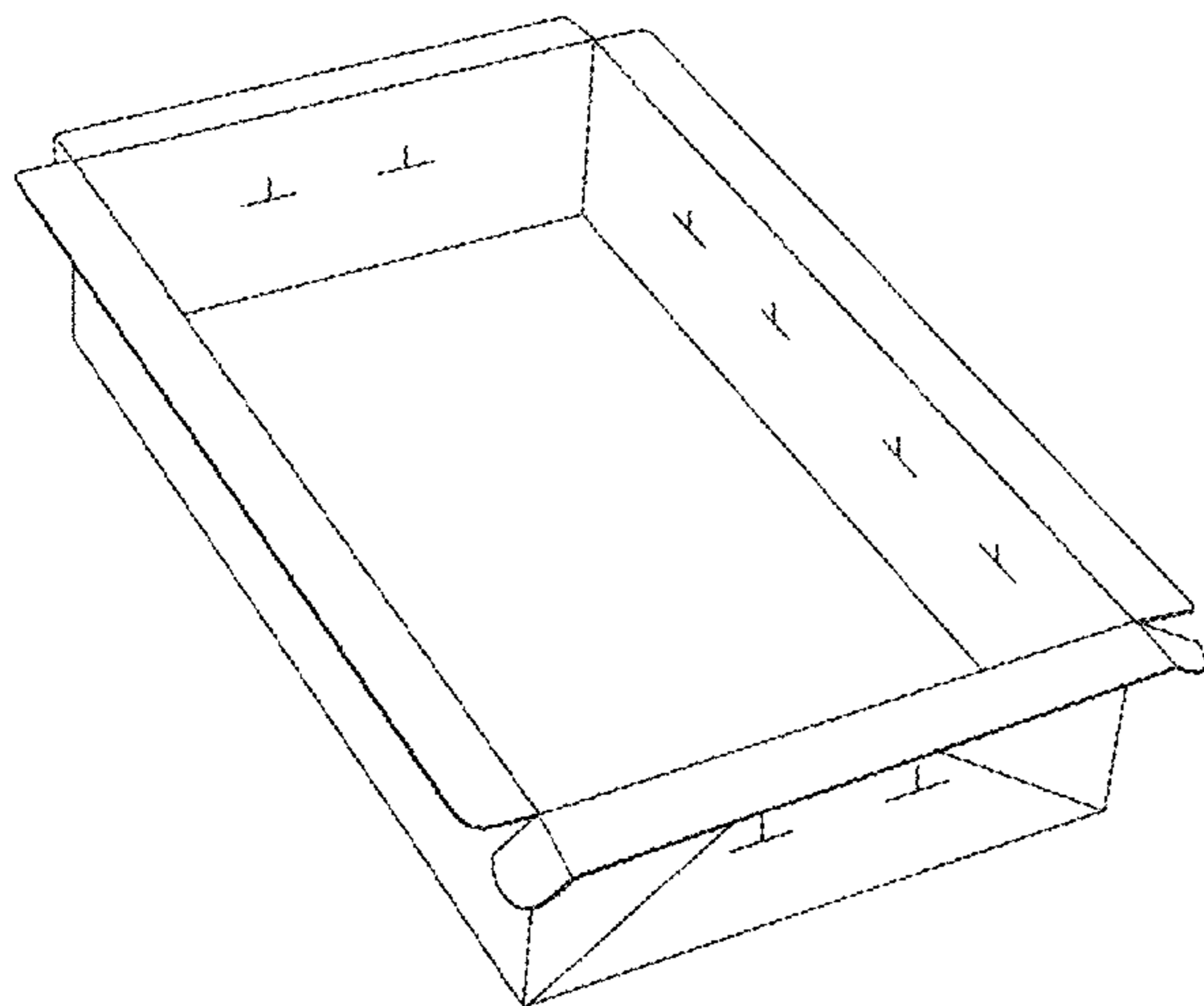
(57) **CLAIM**

I claim the ornamental design for foldable baking trays, as shown and described.

DESCRIPTION

FIG. 1 is a top left front perspective view of a foldable baking tray showing my new design;
 FIG. 2 is a top plan view thereof;
 FIG. 3 is a bottom plan view thereof;
 FIG. 4 is an enlarged front elevation view thereof, the rear being a mirror image thereof;
 FIG. 5 is a right side elevation view thereof, the left side being a mirror image thereof; and,
 FIG. 6 is a top perspective thereof in an intermediate position between fully open and fully closed configuration.

1 Claim, 6 Drawing Sheets



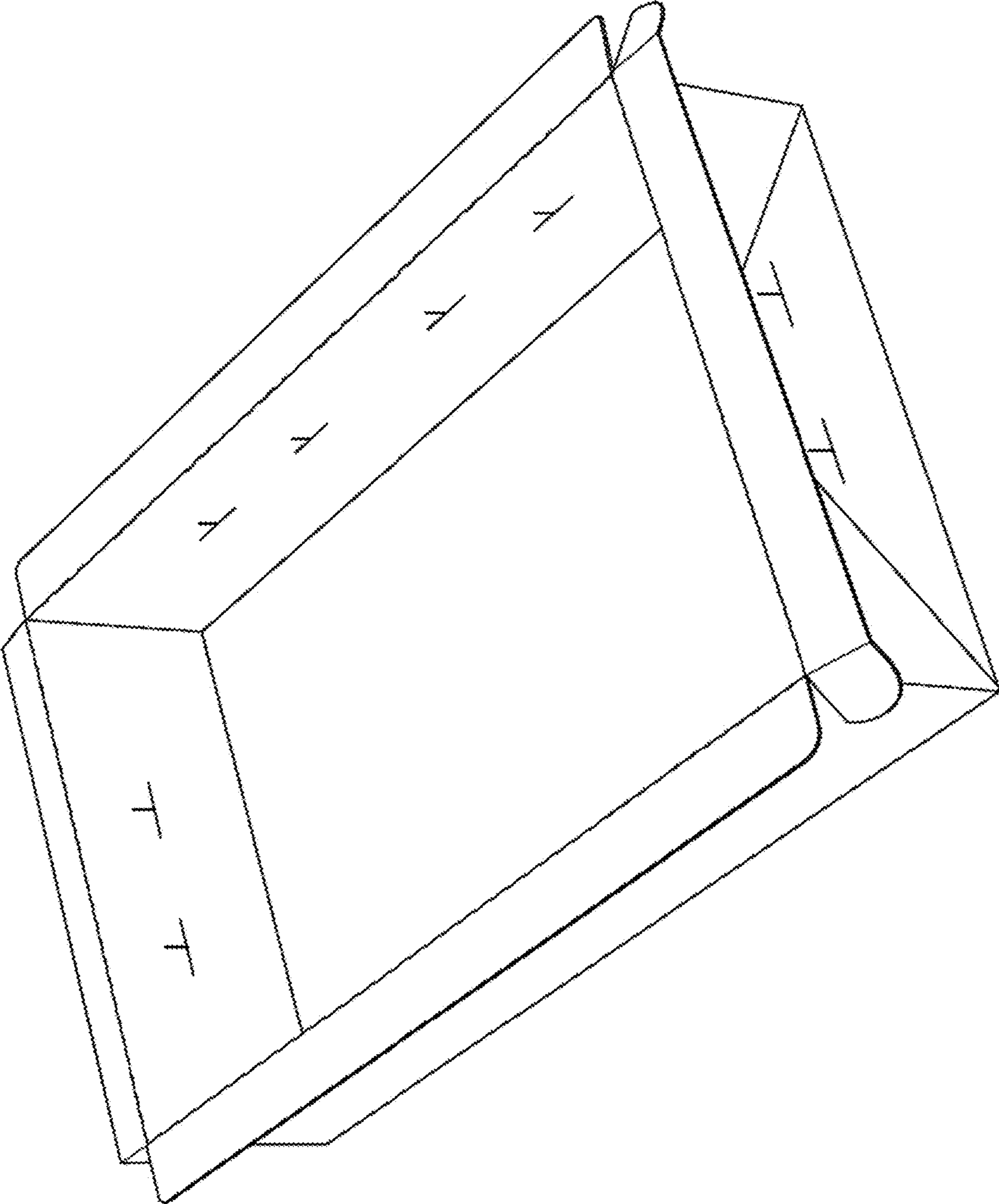


FIG 1

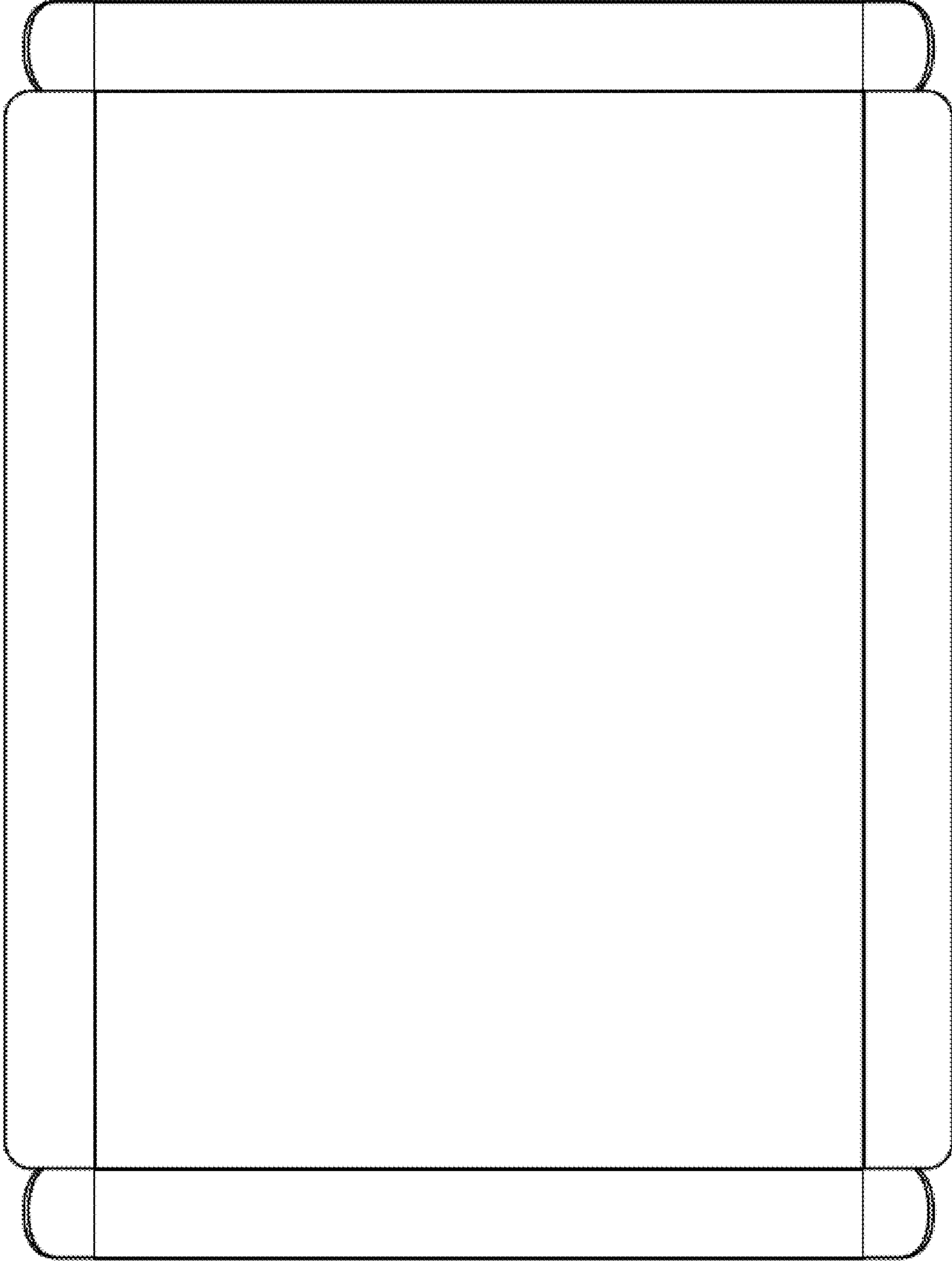


FIG.2

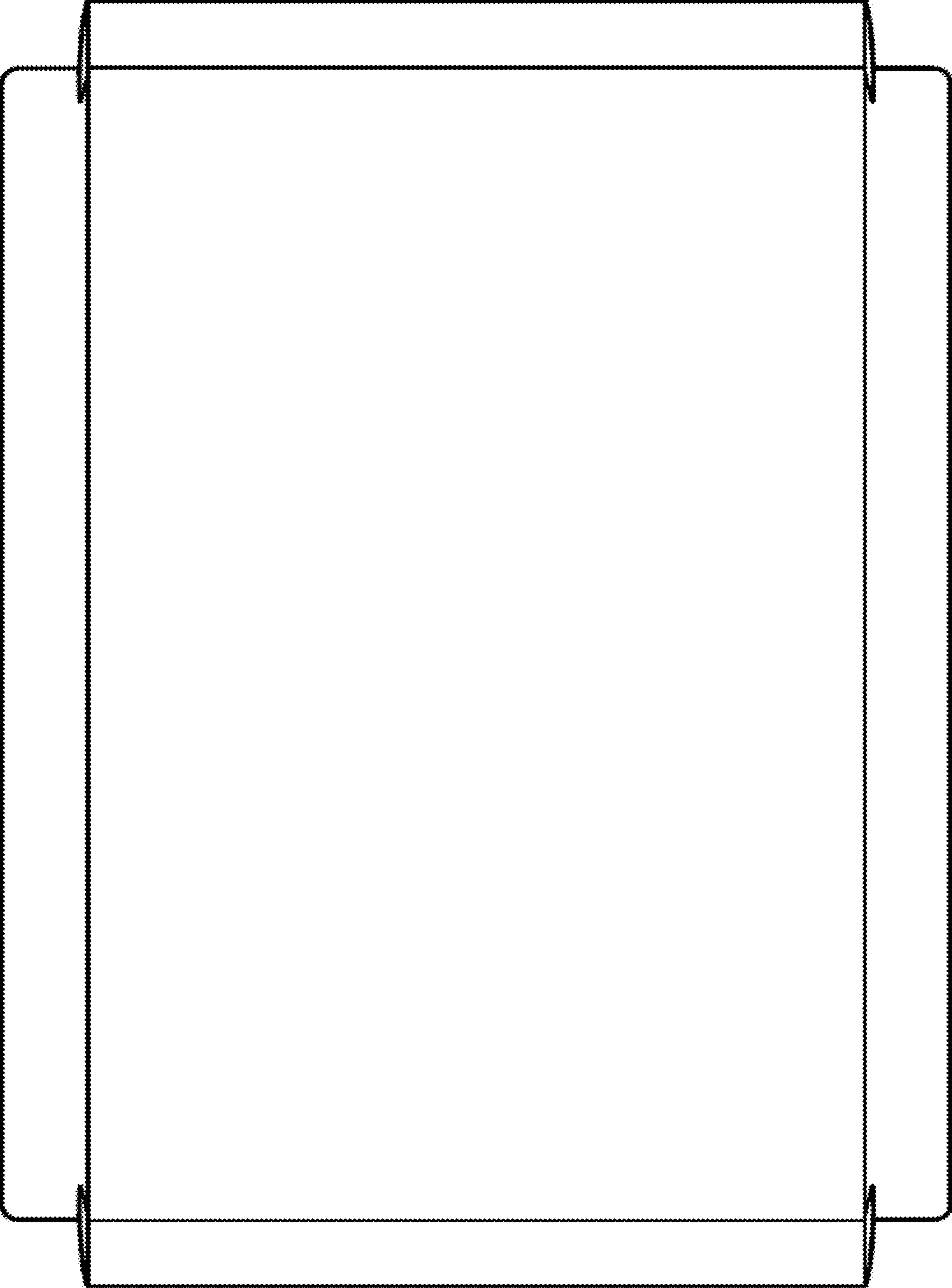


FIG. 3

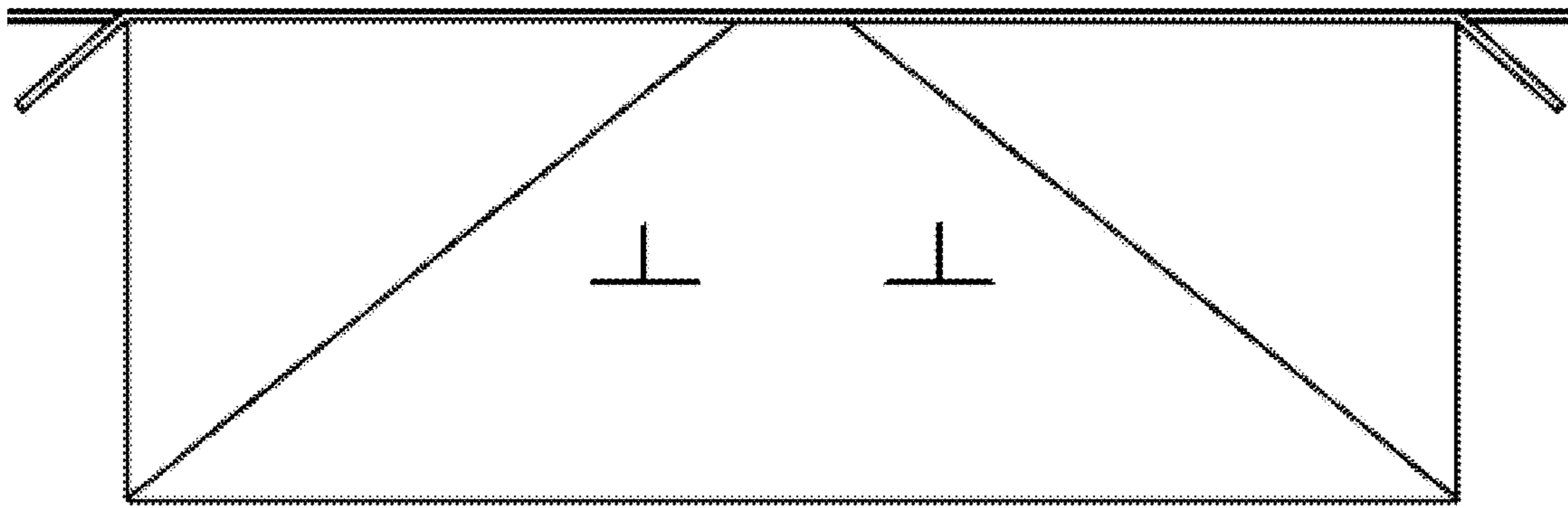


FIG. 4

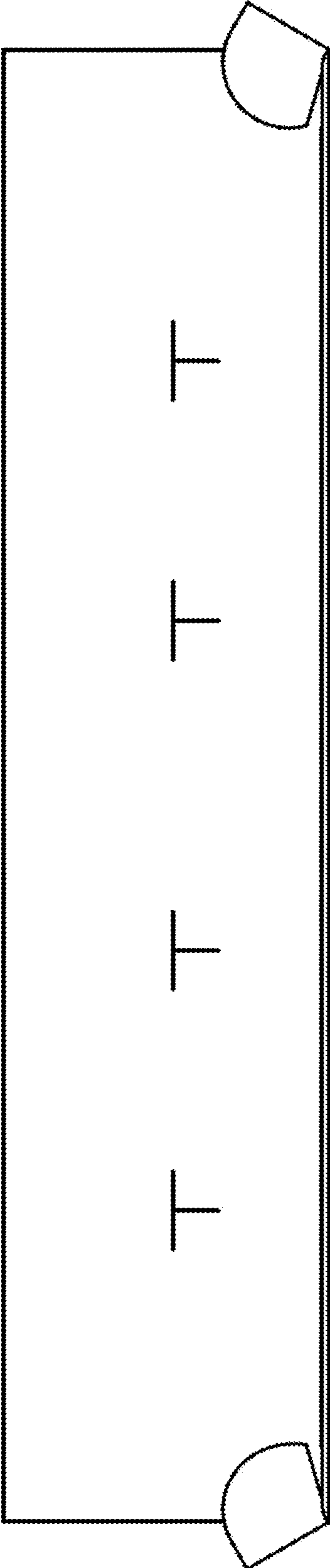


FIG. 5

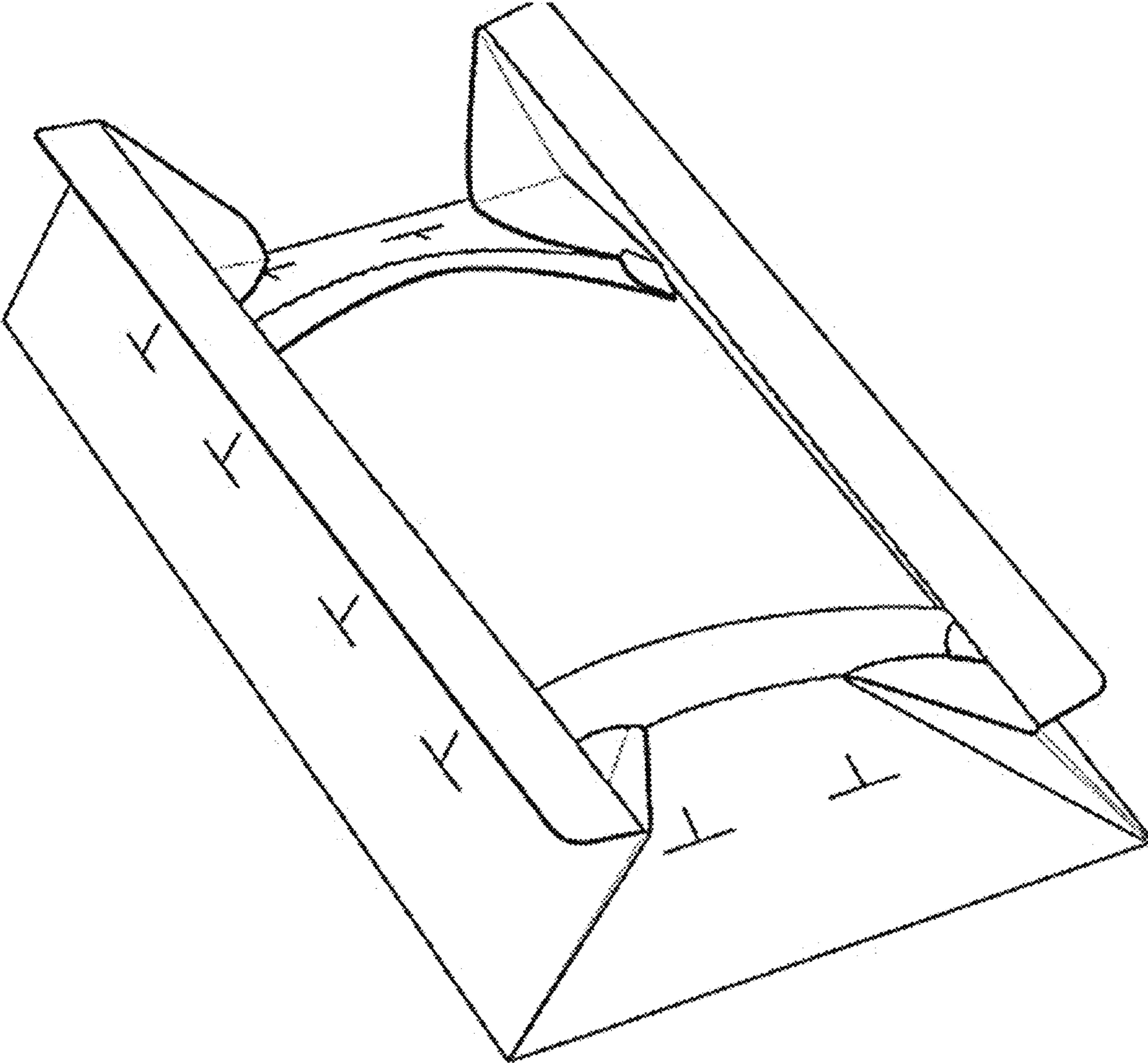


FIG. 6