

US00D862970S

(12) **United States Design Patent**
Moretti

(10) **Patent No.:** **US D862,970 S**
(45) **Date of Patent:** **** Oct. 15, 2019**

(54) **OVEN**
(71) Applicant: **MORETTI FORNI S.P.A.**, Mondolfo (IT)
(72) Inventor: **Mario Moretti**, Pesaro (IT)
(**) Term: **15 Years**
(21) Appl. No.: **35/503,878**
(22) Filed: **Oct. 13, 2017**

D534,755 S * 1/2007 Knight D7/332
D539,071 S * 3/2007 O'Brien D7/333
D688,507 S * 8/2013 Hill D7/323
D693,166 S * 11/2013 Measom; Ty D7/350.1
8,833,360 B2 * 9/2014 Knight A47J 37/0754
126/21 A
D715,084 S * 10/2014 Hill D7/332
D720,569 S * 1/2015 Hill D7/334
9,395,092 B2 * 7/2016 Knight F24B 1/207
D820,026 S * 6/2018 Russo Krauss D7/339
2001/0035176 A1 * 11/2001 Bush, III A47J 37/0704
126/25 R
2015/0047512 A1 * 2/2015 Marra A47J 37/0647
99/339

(80) **Hague Agreement Data**

Int. Filing Date: **Oct. 13, 2017**
Int. Reg. No.: **DM/098043**
Int. Reg. Date: **Oct. 13, 2017**
Int. Reg. Pub. Date: **Oct. 27, 2017**

* cited by examiner

Primary Examiner — Sheryl Lane
Assistant Examiner — Nicole C Shiflet
(74) *Attorney, Agent, or Firm* — King & Schickli, PLLC

(51) **LOC (12) Cl.** **07-02**
(52) **U.S. Cl.**
USPC **D7/339**

(57) **CLAIM**

The ornamental design for an oven, as shown and described.

(58) **Field of Classification Search**
USPC D7/402–408, 323, 331–335, 339–340,
D7/346–349, 350.1–351
CPC .. H05B 1/0261; H05B 1/0263; H05B 1/0266;
F24C 3/00; F24C 3/002; F24C 3/008;
F24C 5/00; F24C 7/00; F24C 15/02;
F24C 15/024
See application file for complete search history.

DESCRIPTION

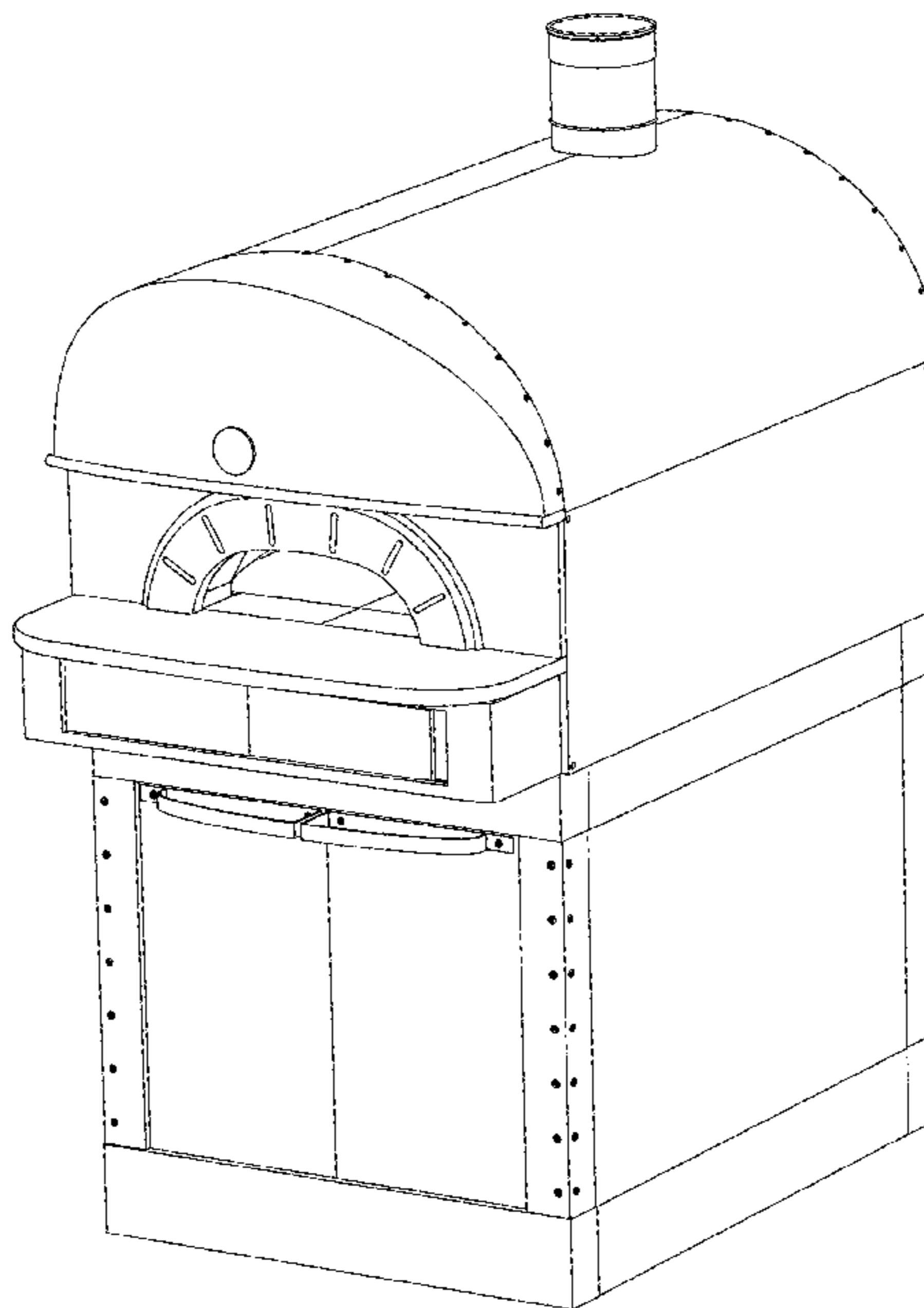
- 1. Oven
- 1.1 : Perspective
- 1.2 : Front
- 1.3 : Right
- 1.4 : Left
- 1.5 : Back
- 1.6 : Top
- 1.7 : Bottom

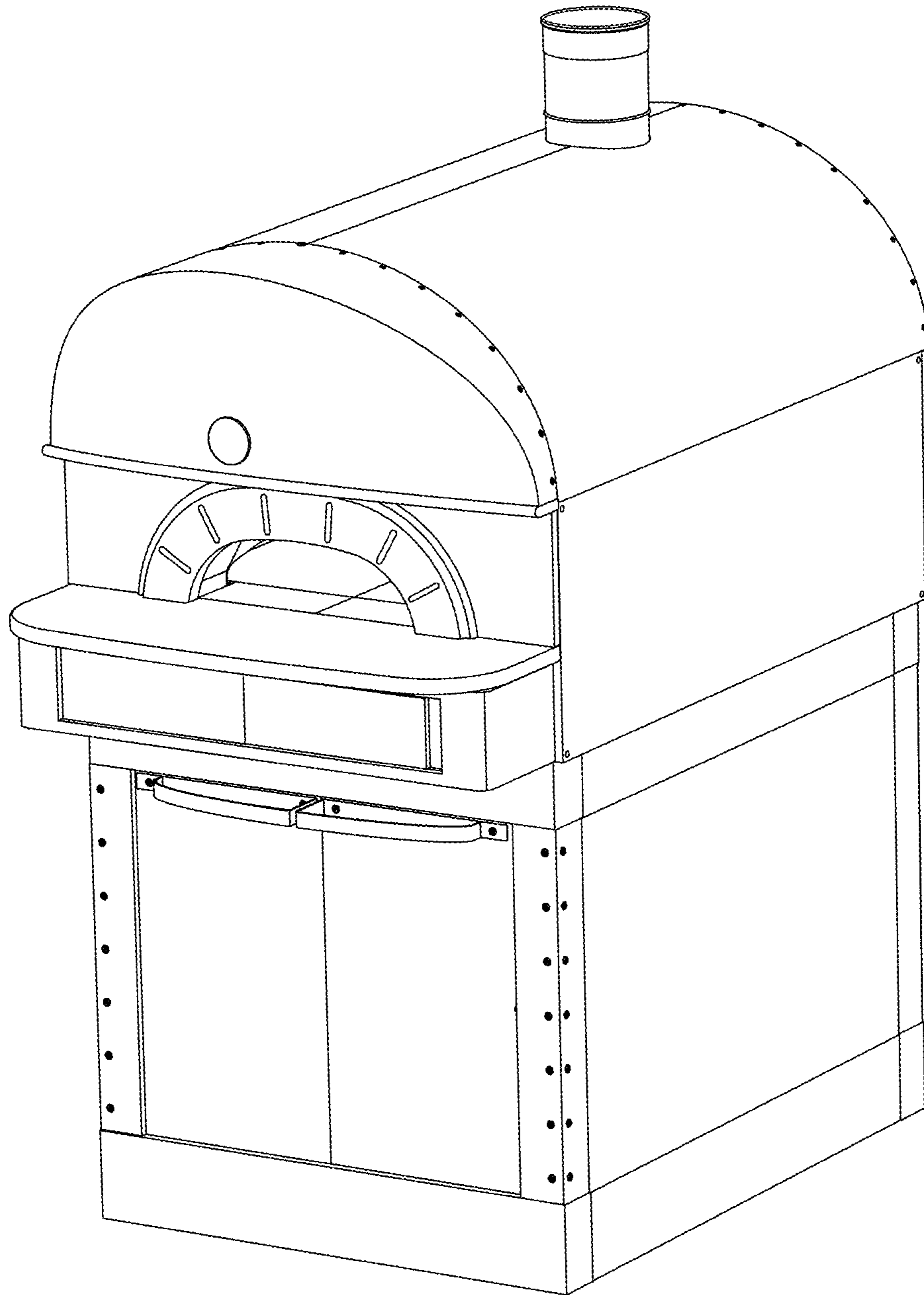
Cooking oven of the electrical type.
The broken lines showing portions of the article form no part of the claimed design.

(56) **References Cited**
U.S. PATENT DOCUMENTS

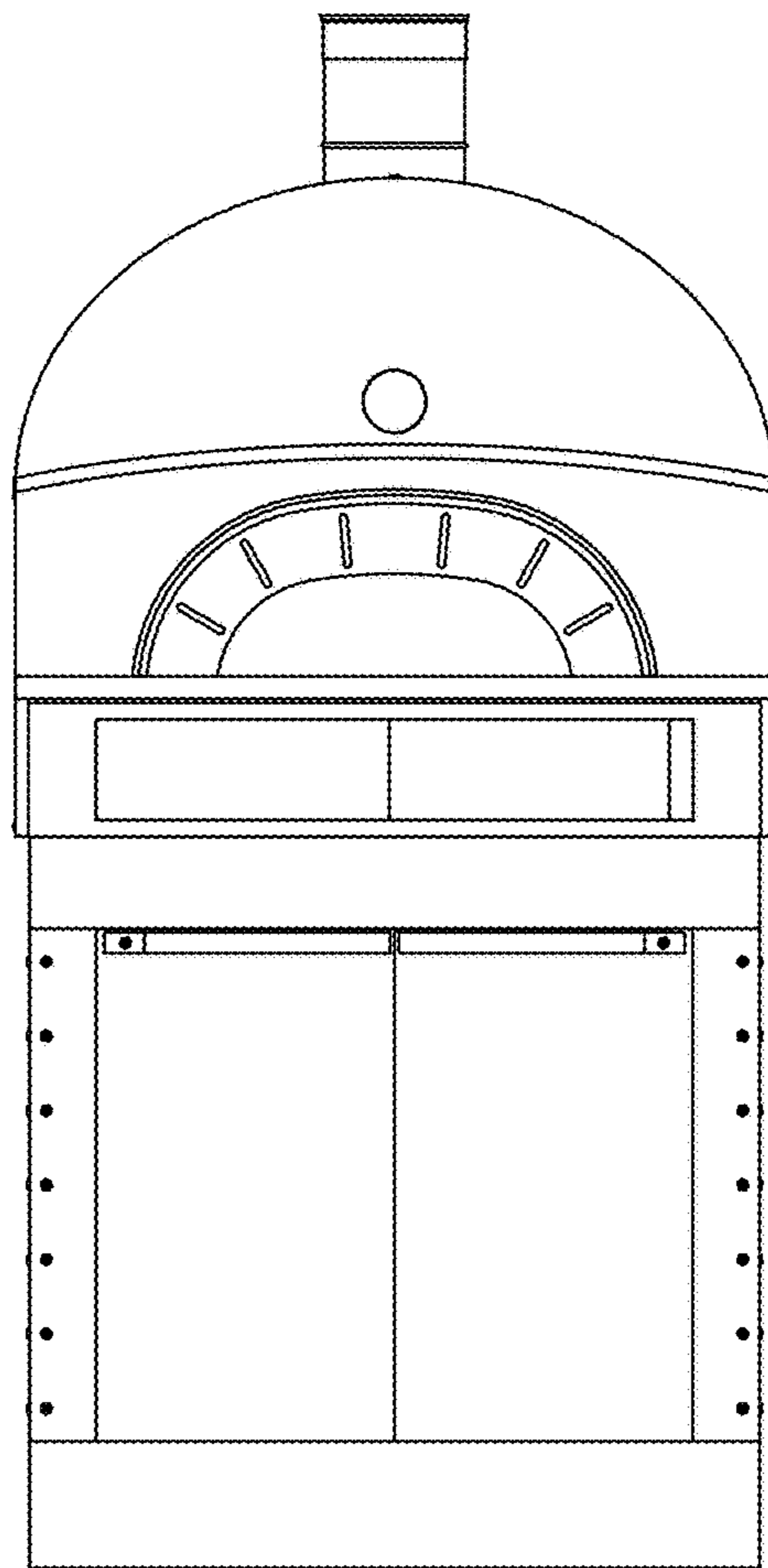
D280,967 S * 10/1985 Wrighton D7/339
D380,932 S * 7/1997 Duray D7/334

1 Claim, 7 Drawing Sheets

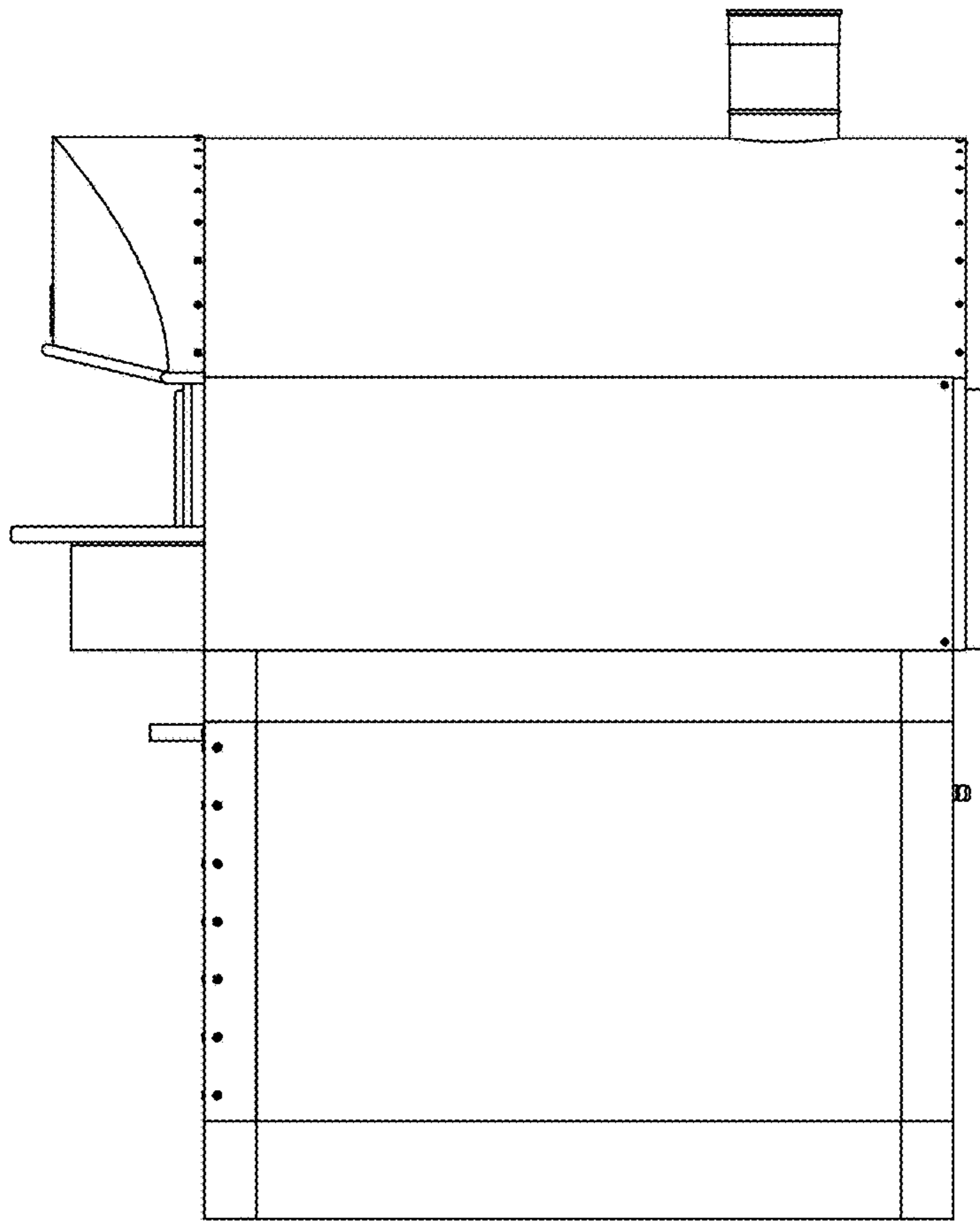




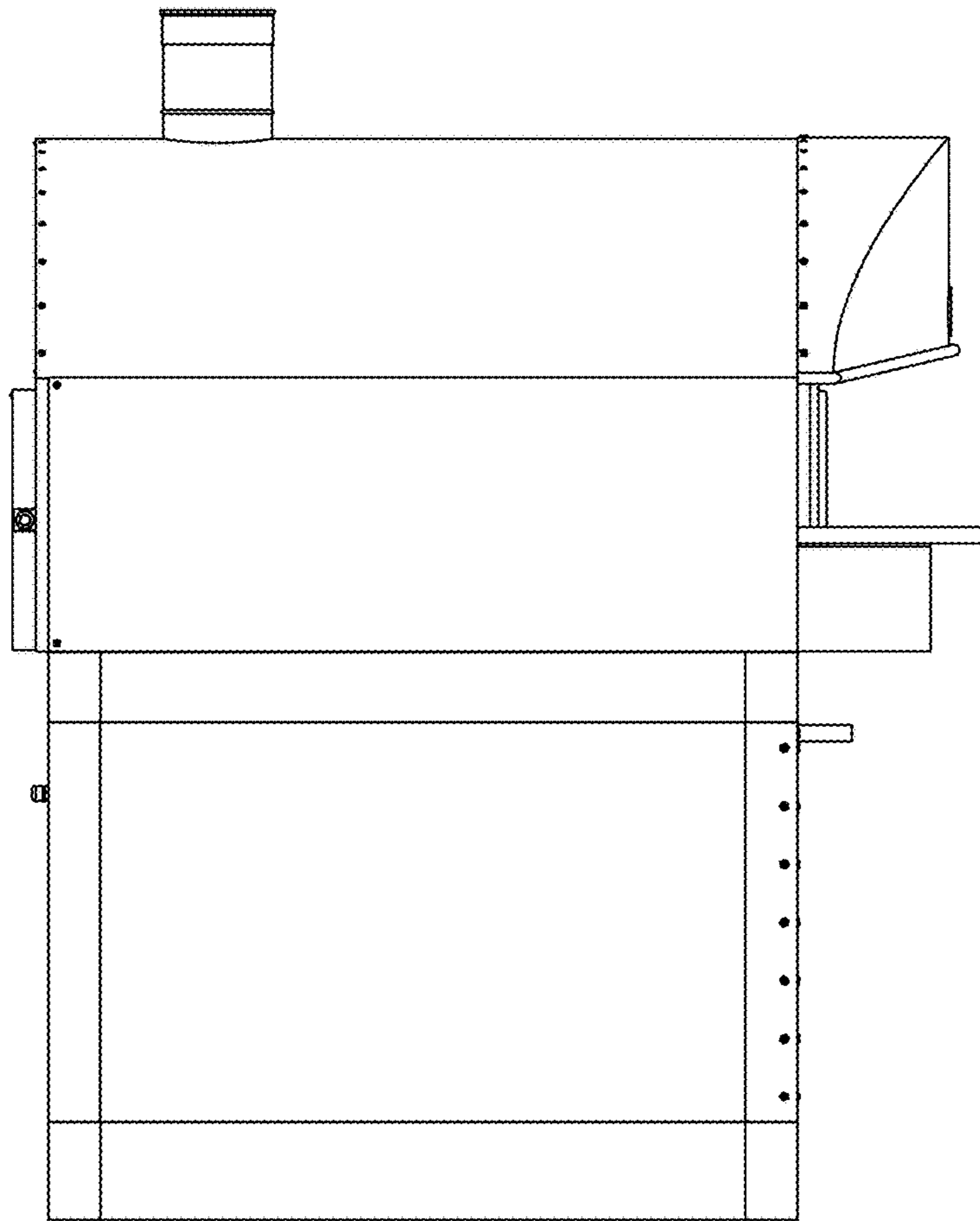
1.1



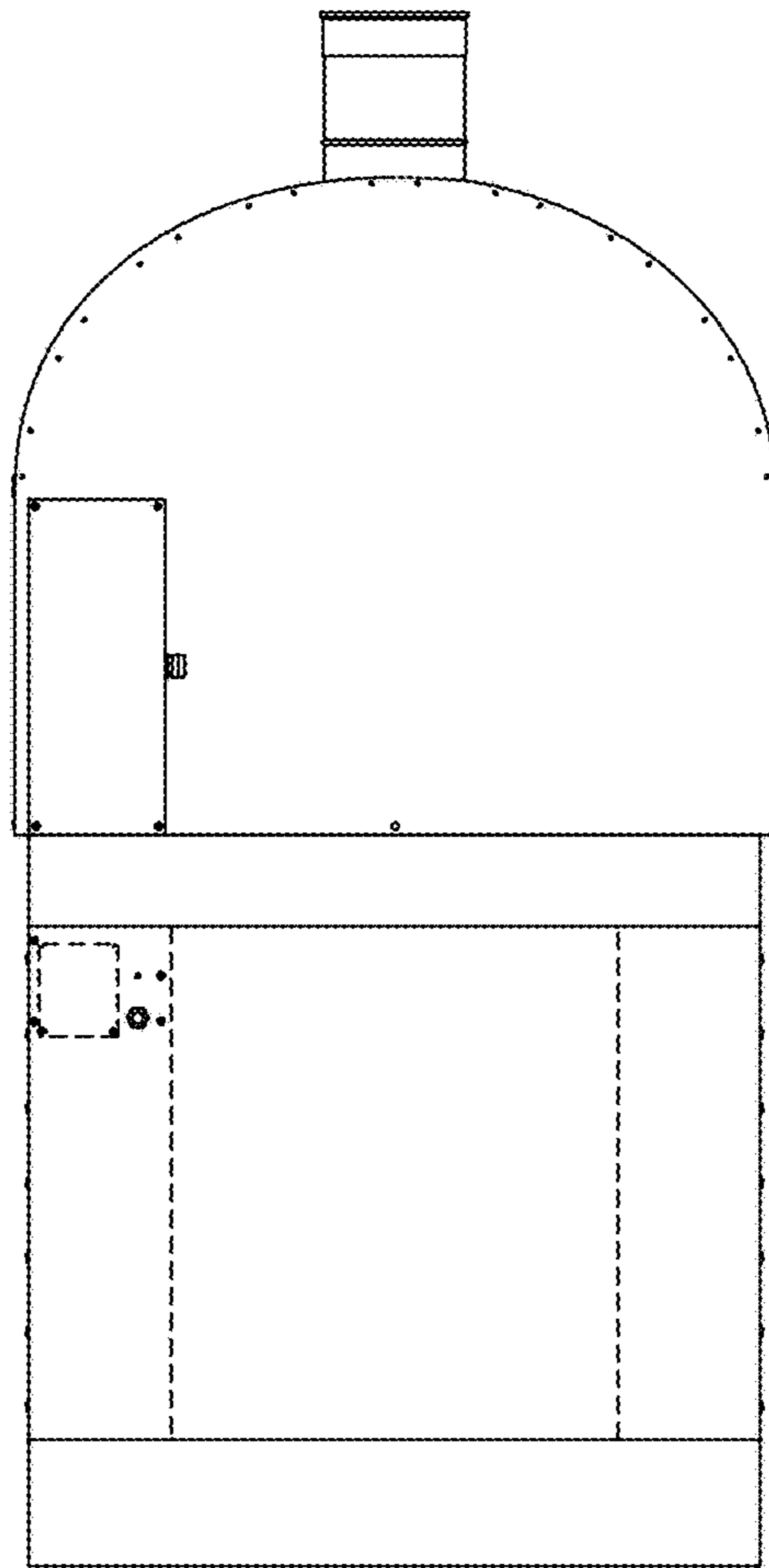
1.2



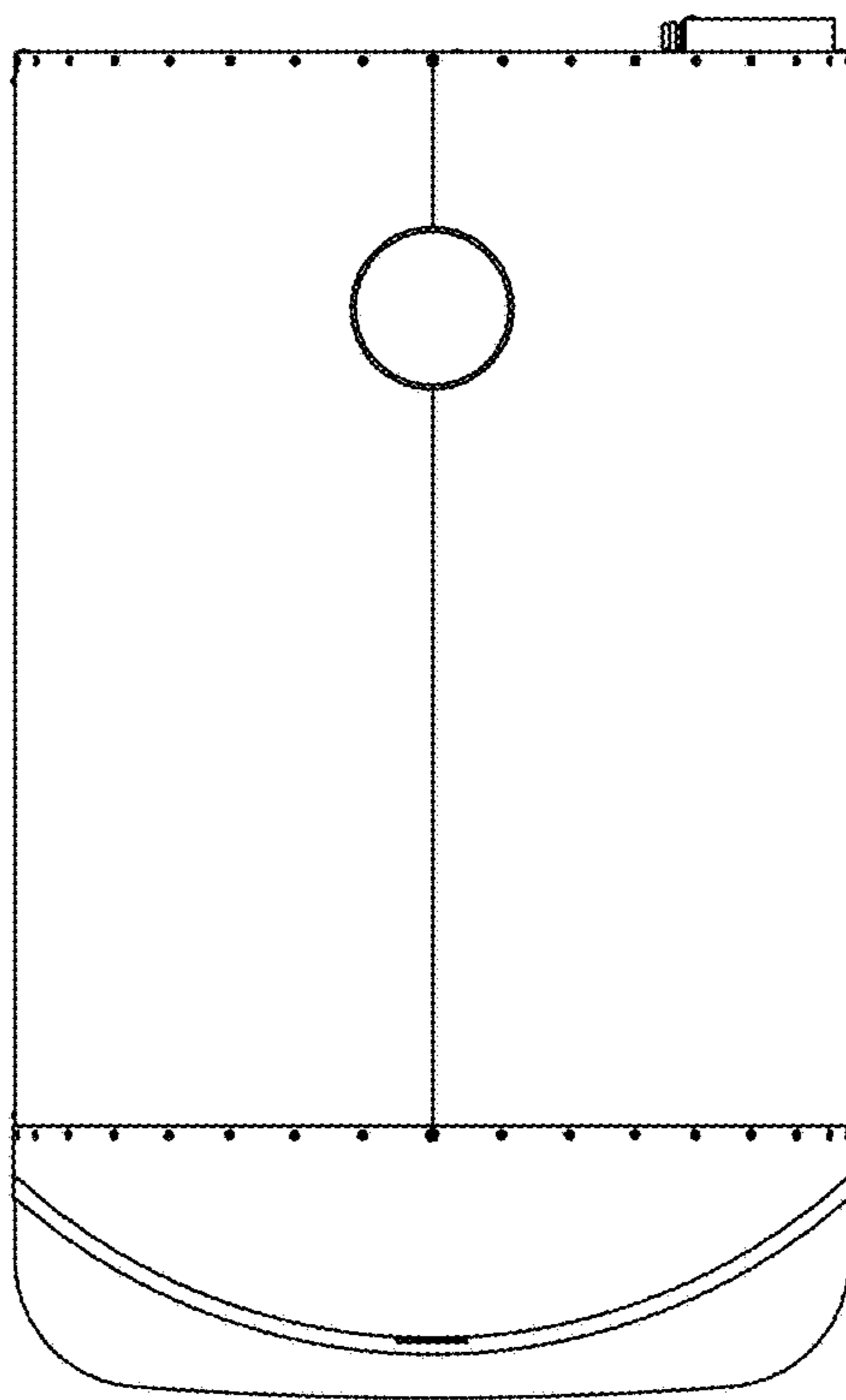
1.3



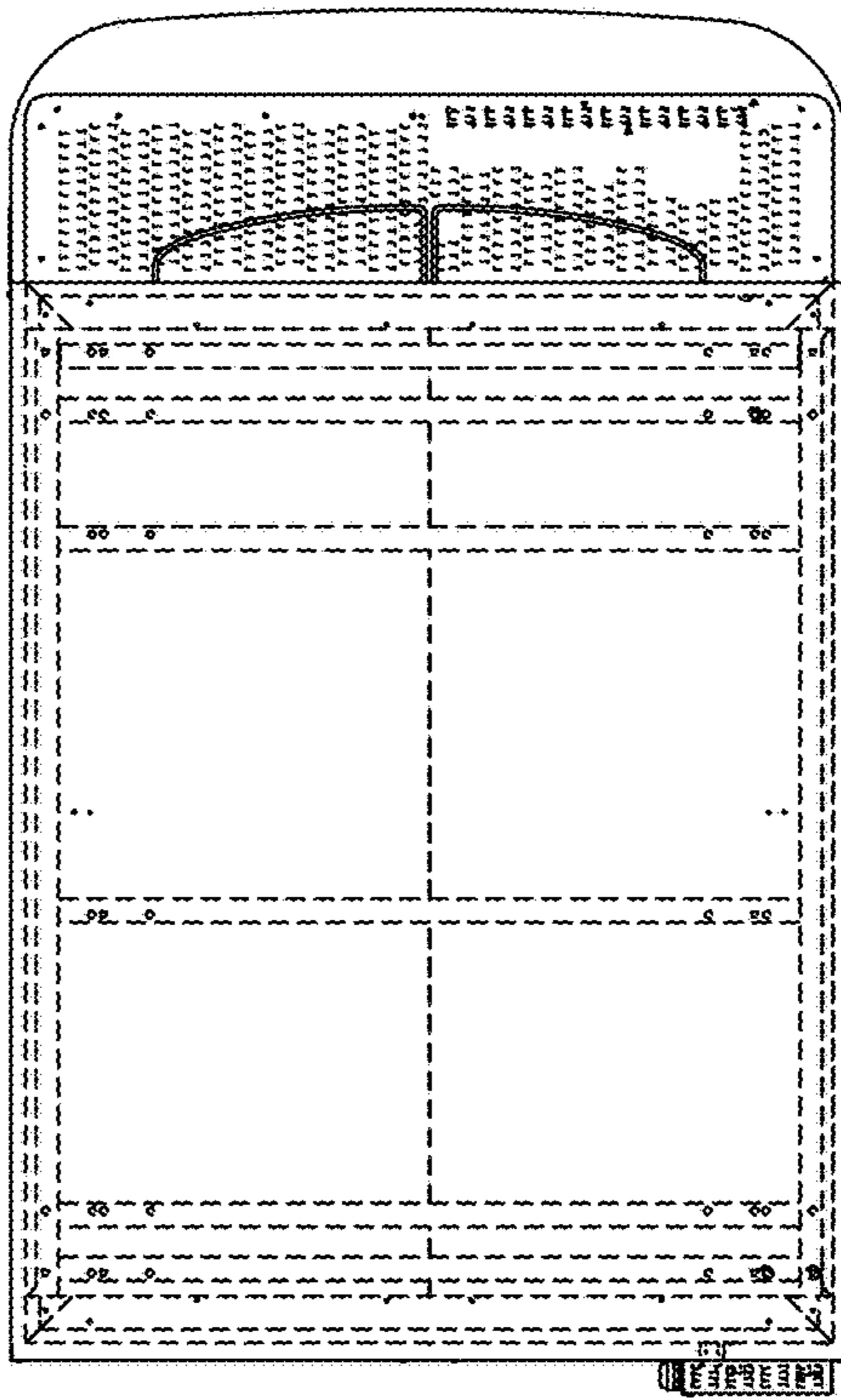
1.4



1.5



1.6



1.7