



US00D862969S

(12) **United States Design Patent**
Tapaninaho

(10) **Patent No.:** **US D862,969 S**
(45) **Date of Patent:** **** Oct. 15, 2019**

(54) **OVEN**

(71) Applicant: **UUNI LIMITED**, Broxburn (GB)

(72) Inventor: **Matti Kristian Tapaninaho**, Broxburn (GB)

(73) Assignee: **UUNI LIMITED**, Broxburn (GB)

(**) Term: **15 Years**

(21) Appl. No.: **29/614,771**

(22) Filed: **Aug. 23, 2017**

(30) **Foreign Application Priority Data**

Feb. 28, 2017	(GB)	6008148
Feb. 28, 2017	(GB)	6008149
Feb. 28, 2017	(GB)	6008150
Feb. 28, 2017	(GB)	6008151

(51) **LOC (12) Cl.** **07-02**

(52) **U.S. Cl.**
USPC **D7/339**

(58) **Field of Classification Search**
 USPC D7/323, 328-332, 339-349, 390,
 D7/402-406; D8/300-306; D23/343,
 D23/350
 CPC ... A21B 2/00; A47J 37/00; A47J 37/06; A47J
 37/0611; A47J 37/0704; A47J 37/08;
 A47J 37/0807; A47J 37/0814; A47J
 37/0835; A47J 37/0842; A47J 37/085;
 A47J 37/0864; A47J 37/0878; A47J
 37/0885; A47J 37/0892; F24C 7/00; F24C
 7/002; F24C 7/046; F24C 7/067; F24C
 15/02; F24C

(Continued)

(56) **References Cited**

U.S. PATENT DOCUMENTS

D231,933 S *	6/1974	Lyman	D23/350
D237,084 S *	10/1975	Collver	D23/350
D241,548 S *	9/1976	Rhelngold	D23/343

(Continued)

OTHER PUBLICATIONS

UK Registered Design No. 4035698 (<https://www.registered-design.service.gov.uk/find/4035698>) Downloaded on Sep. 14, 2017.

Primary Examiner — Ricky Pham

(74) *Attorney, Agent, or Firm* — Nixon & Vanderhye P.C.

(57) **CLAIM**

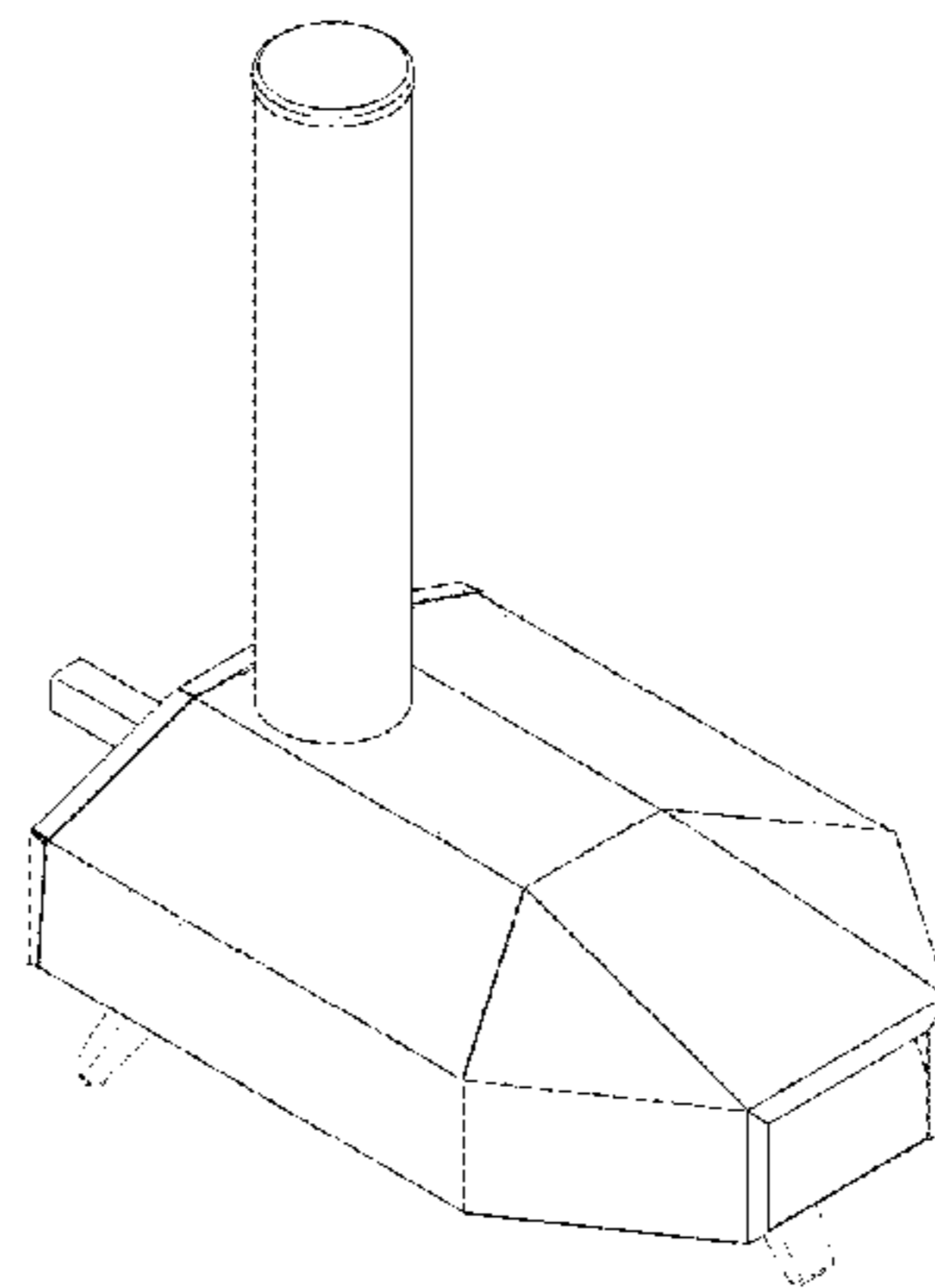
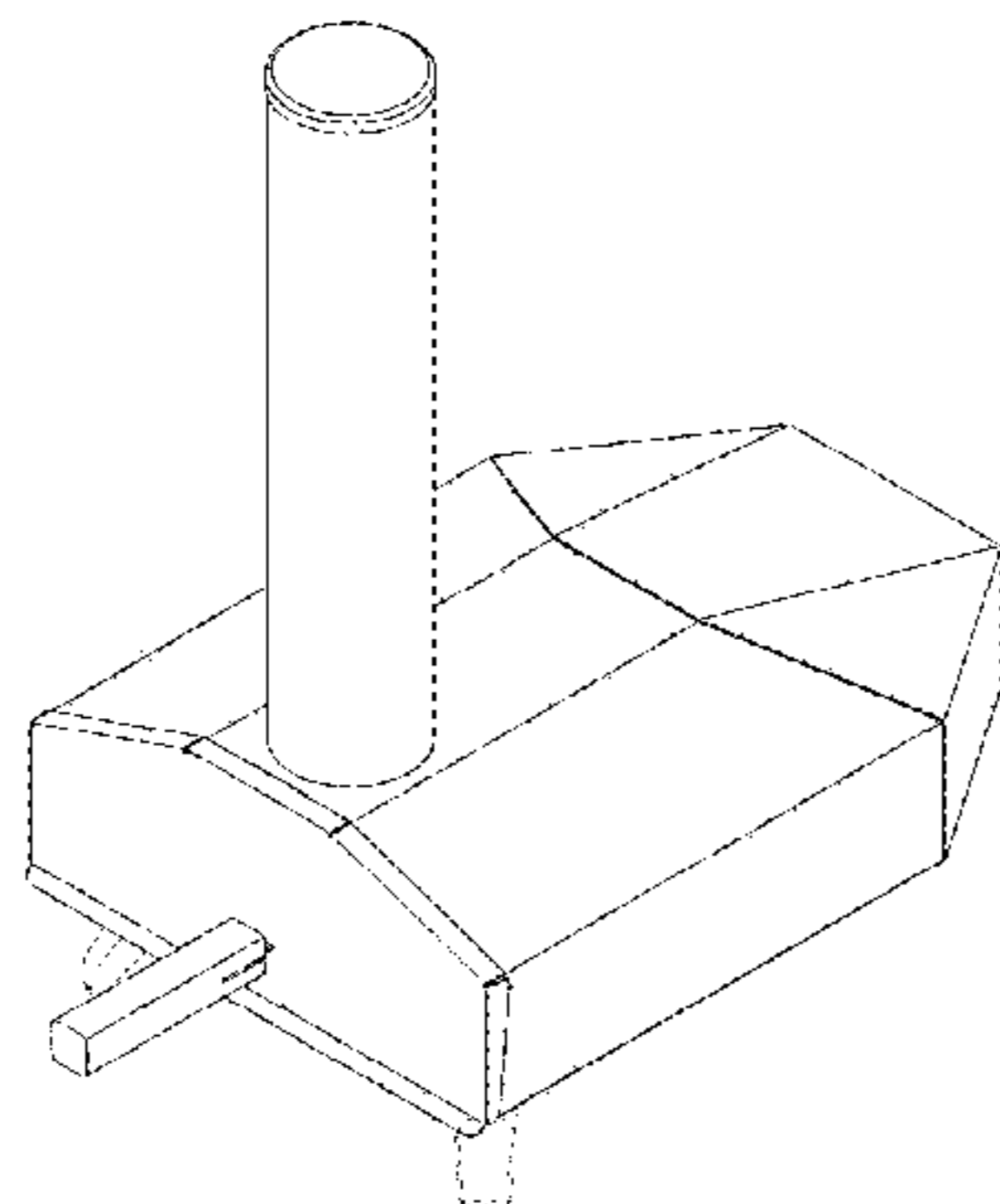
The ornamental design for an oven, as shown and described.

DESCRIPTION

FIG. 1 is a front view of an oven showing my new design;
 FIG. 2 is a rear view thereof;
 FIG. 3 is a first side view thereof;
 FIG. 4 is a top view thereof;
 FIG. 5 is a bottom view thereof;
 FIG. 6 is a second side view thereof;
 FIG. 7 is a first perspective view thereof;
 FIG. 8 is a second perspective view thereof;
 FIG. 9 is a front view of a second embodiment thereof;
 FIG. 10 is a rear view of a second embodiment thereof;
 FIG. 11 is a first side view of a second embodiment thereof;
 FIG. 12 is a top view of a second embodiment thereof;
 FIG. 13 is a bottom view of a second embodiment thereof;
 FIG. 14 is a second side view of a second embodiment thereof;
 FIG. 15 is a first perspective view of a second embodiment thereof; and,
 FIG. 16 is a second perspective view of a second embodiment thereof.

The broken lines shown in the drawings are for illustrative purposes only and form no part of the claimed design.

1 Claim, 16 Drawing Sheets



(58) **Field of Classification Search**

CPC 15/04; F24C 15/10; F24C 15/102; F24H
1/41

See application file for complete search history.

(56) **References Cited**

U.S. PATENT DOCUMENTS

4,088,113 A * 5/1978 McIntire F24H 1/41
126/502
D251,385 S * 3/1979 Zimmer D23/343
D254,865 S * 4/1980 Saye D23/350
D255,831 S * 7/1980 Sandau D23/350
D262,651 S * 1/1982 Louderback D23/343
D275,516 S * 9/1984 Perrin, Sr. D23/343
D688,507 S * 8/2013 Hill D7/323
D715,084 S * 10/2014 Hill D7/332
D775,489 S * 1/2017 Zemel D7/332
2001/0035176 A1 * 11/2001 Bush, III A47J 37/0704
126/25 R

* cited by examiner

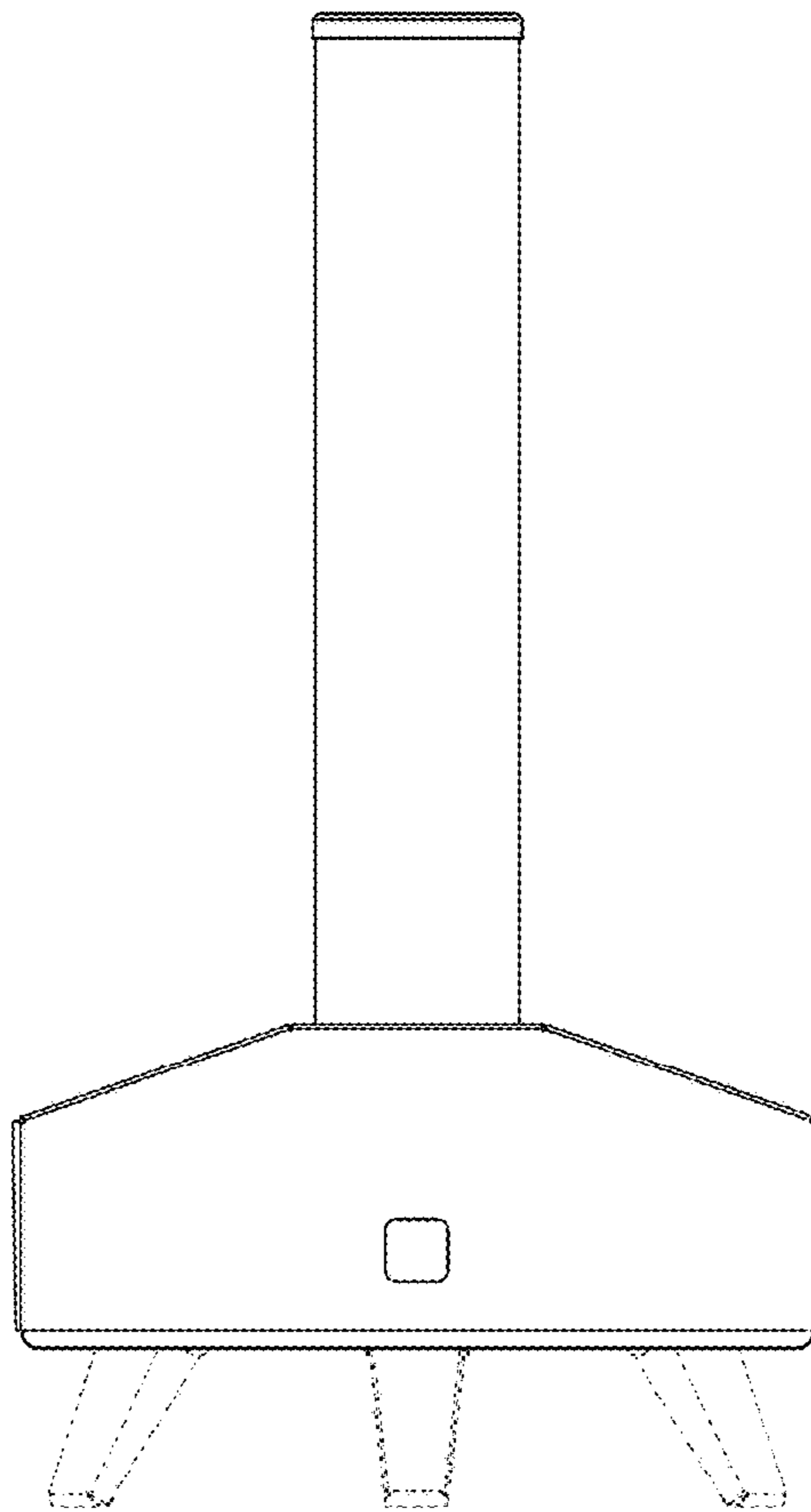


FIG. 1

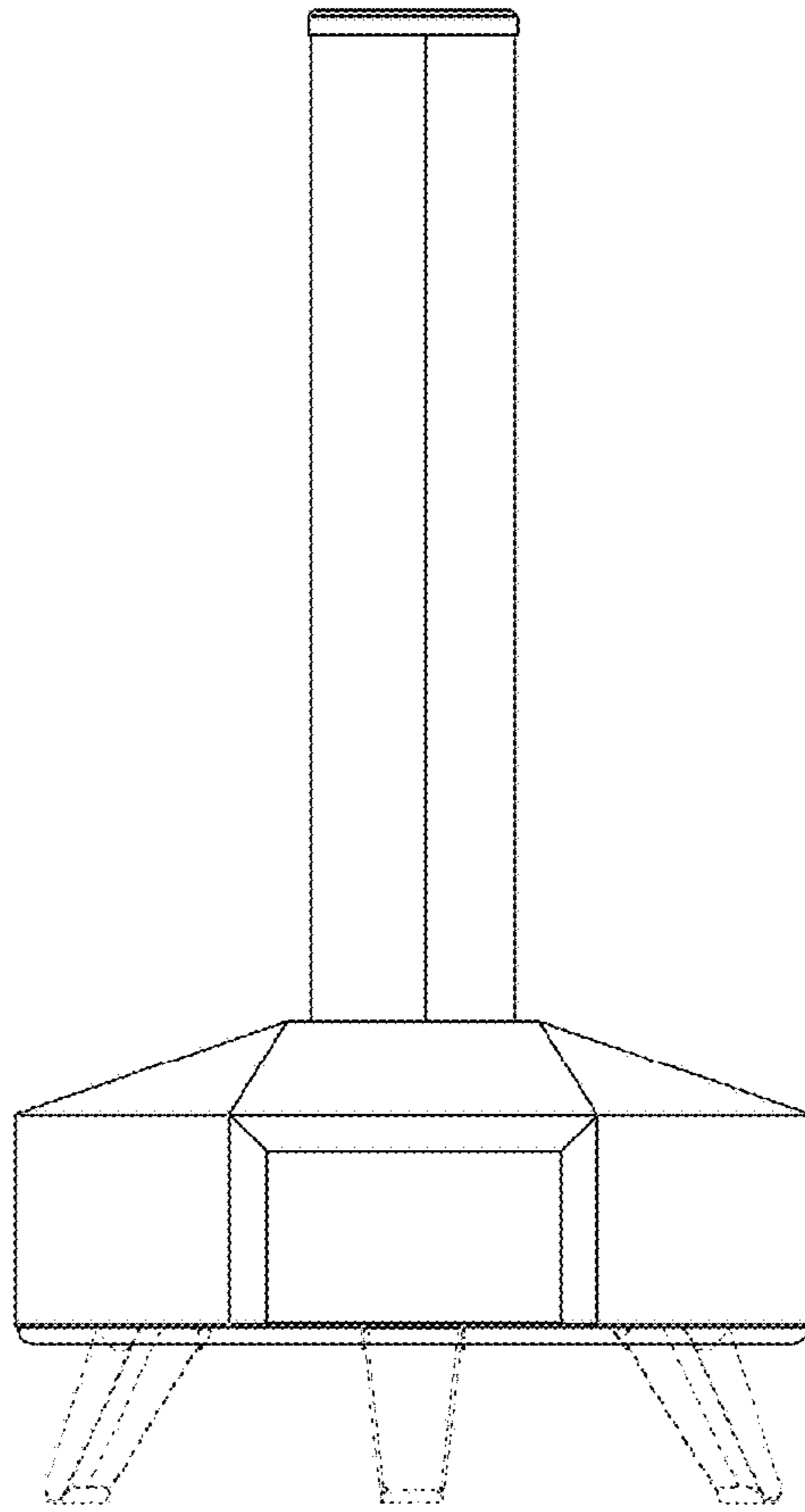


FIG. 2

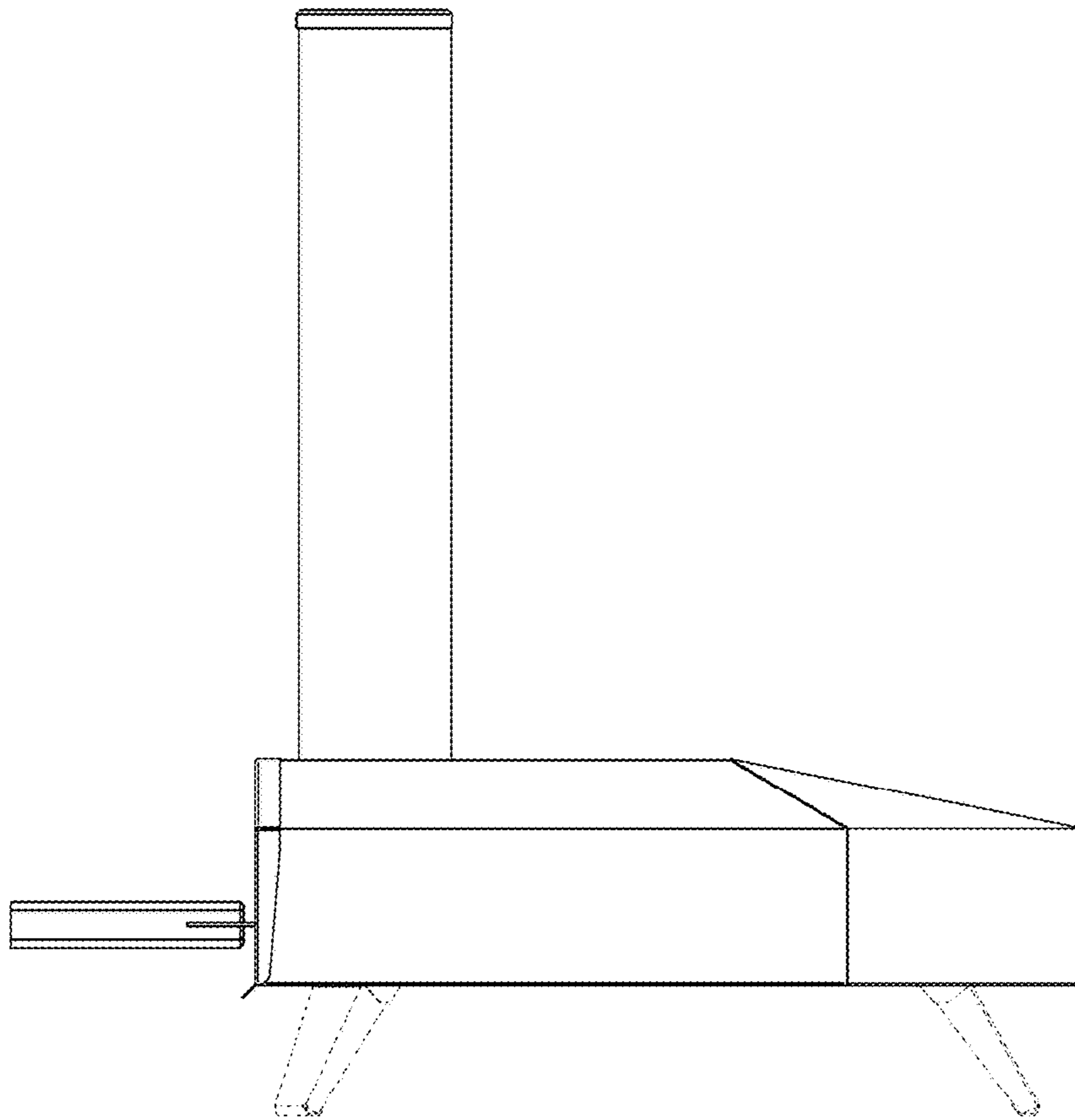


FIG. 3

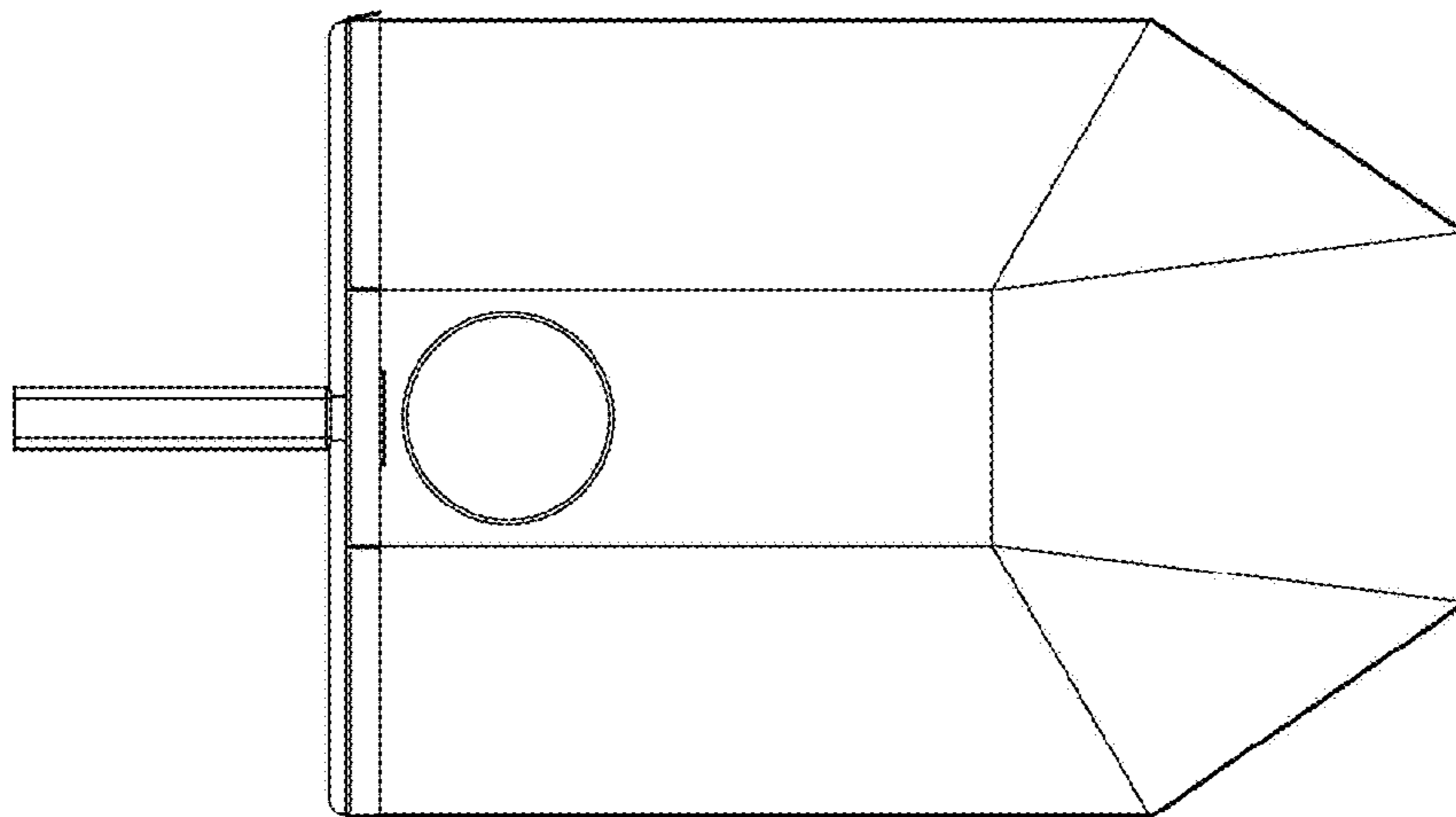


FIG. 4

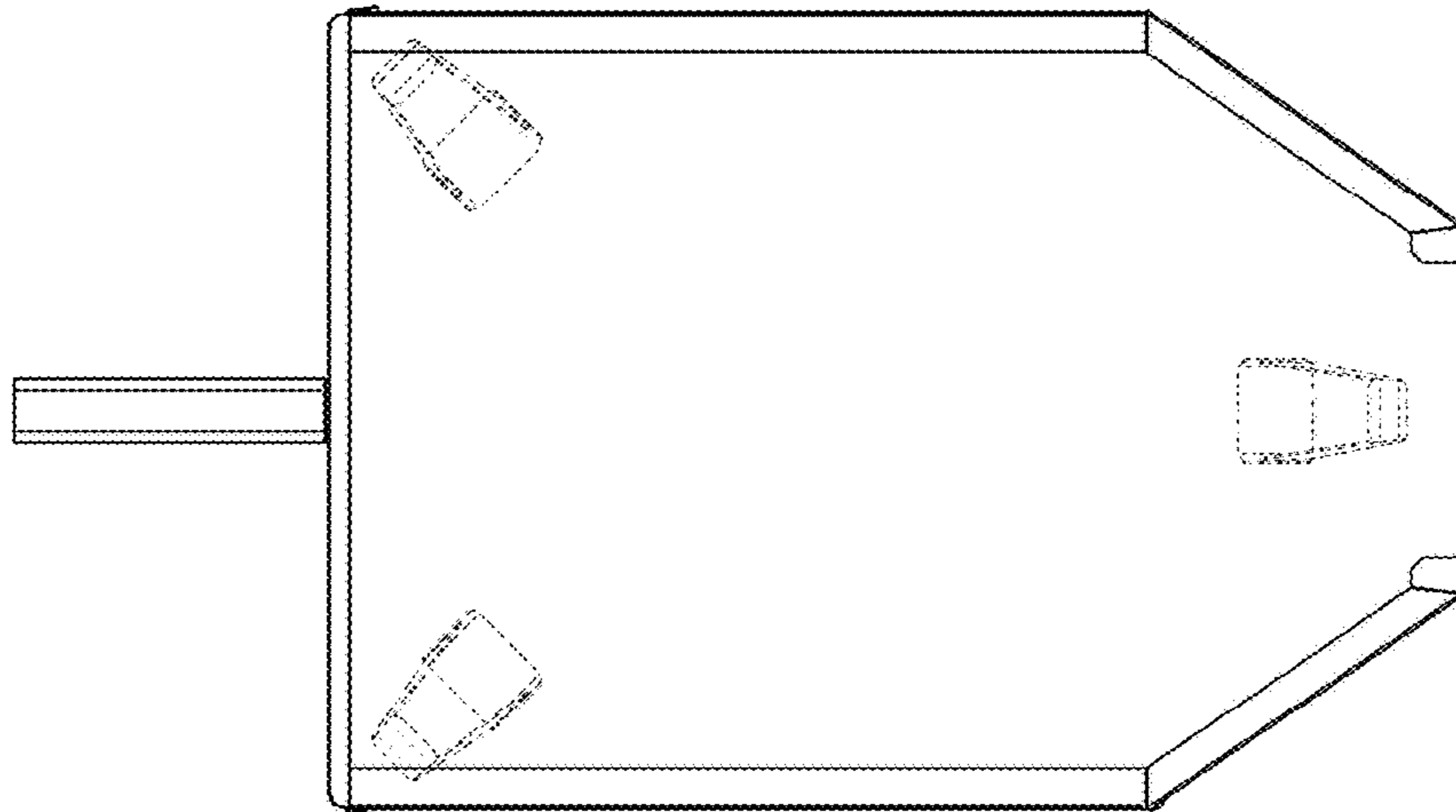


FIG. 5

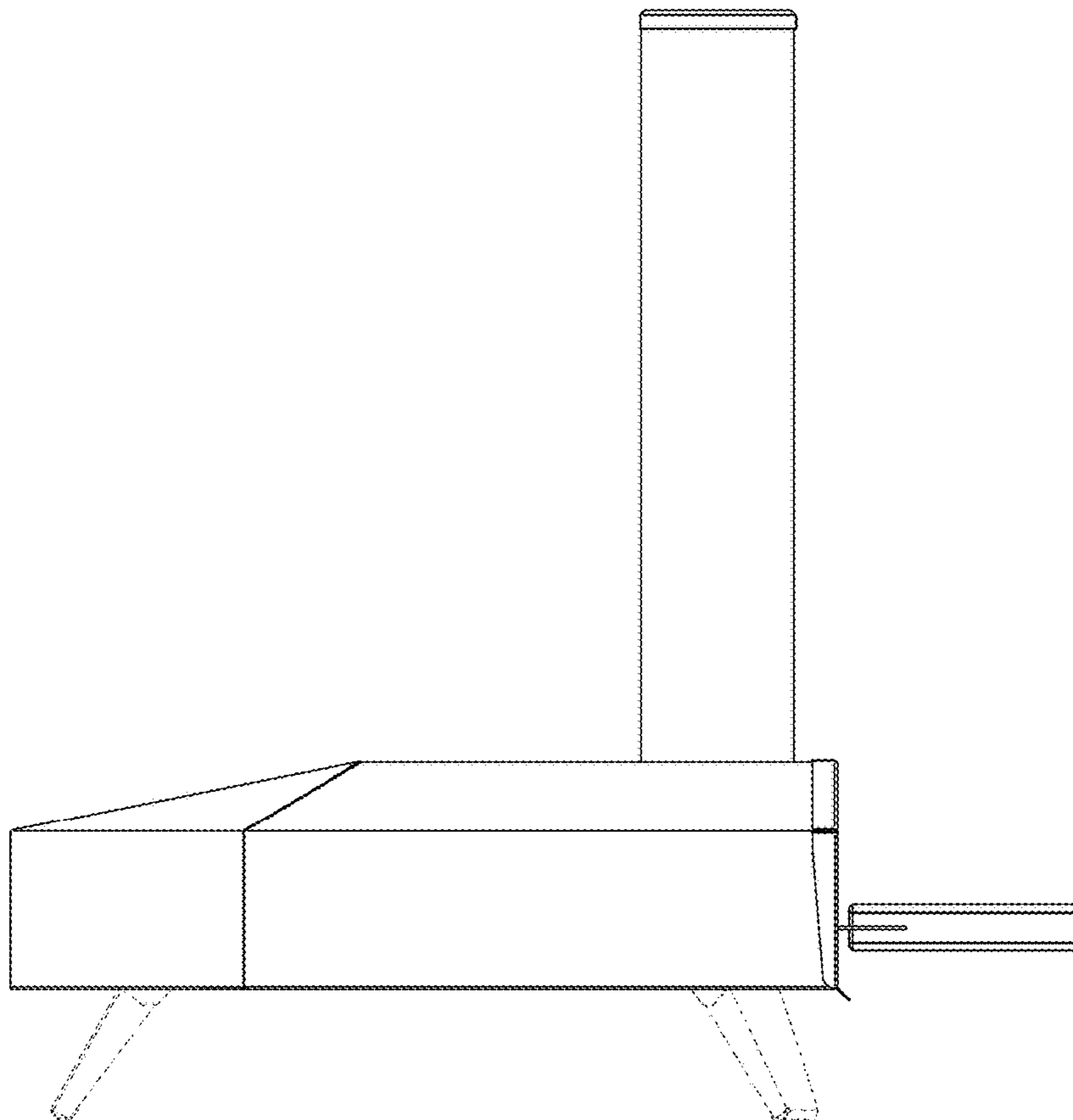


FIG. 6

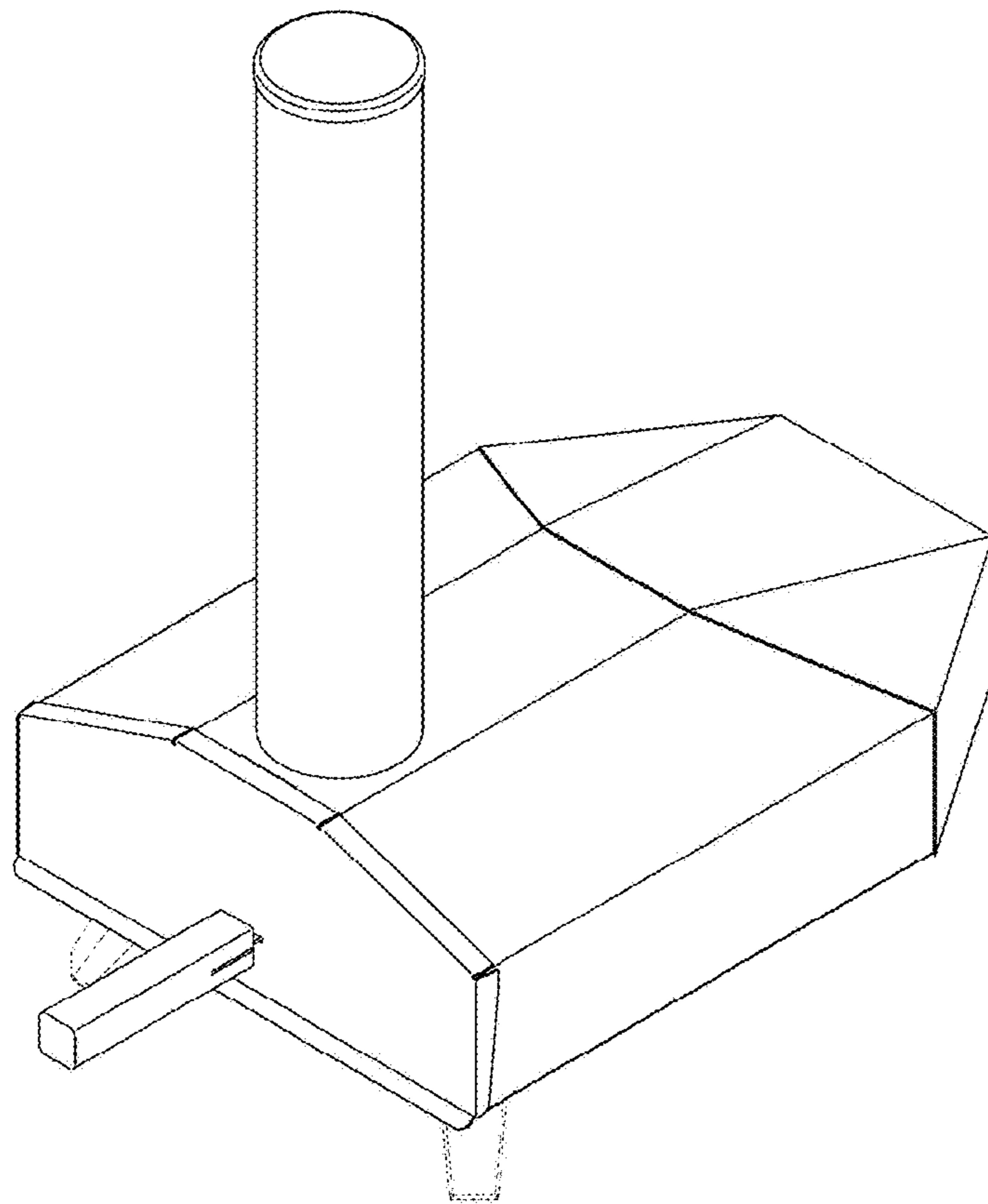


FIG. 7

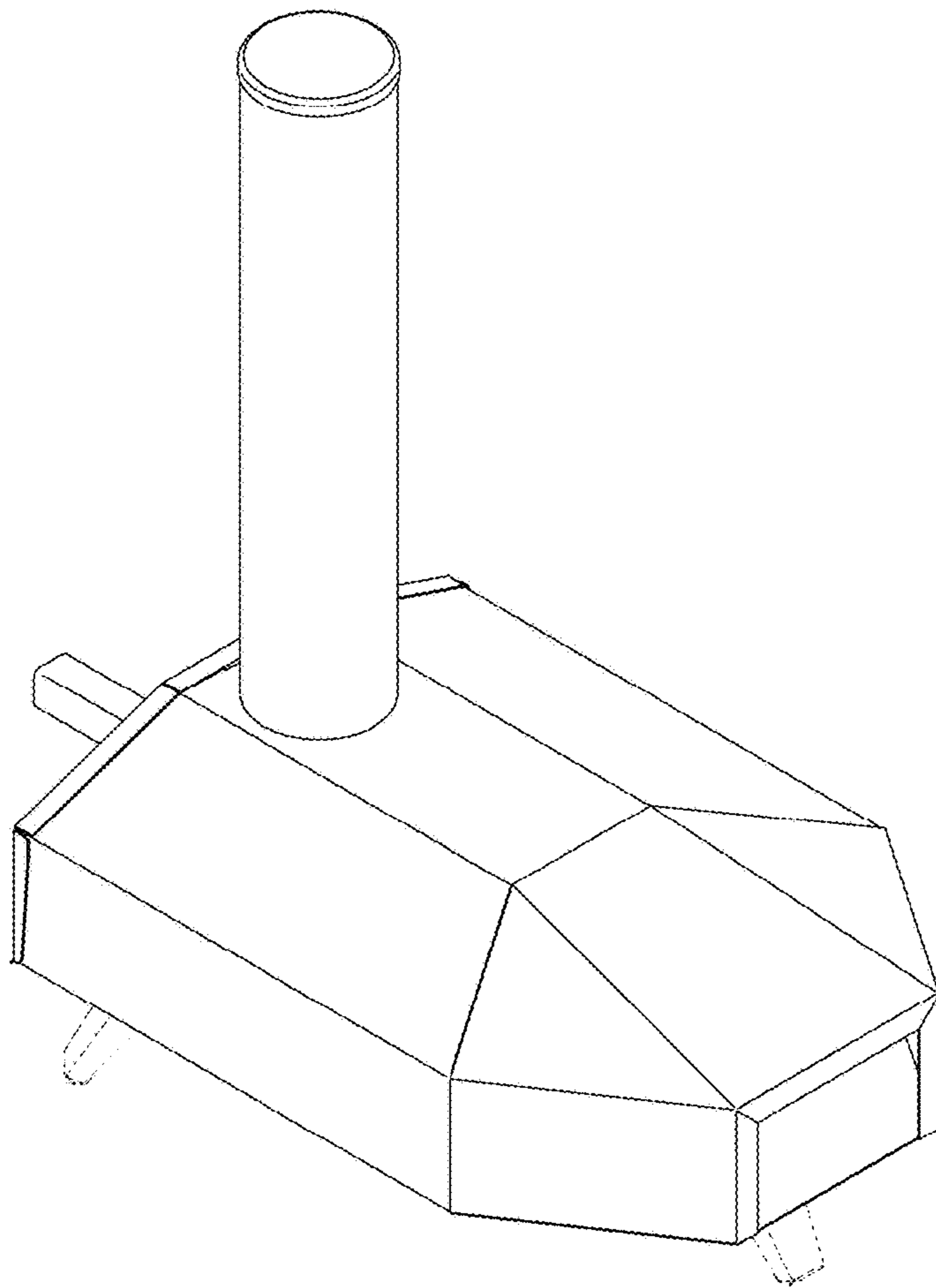


FIG. 8

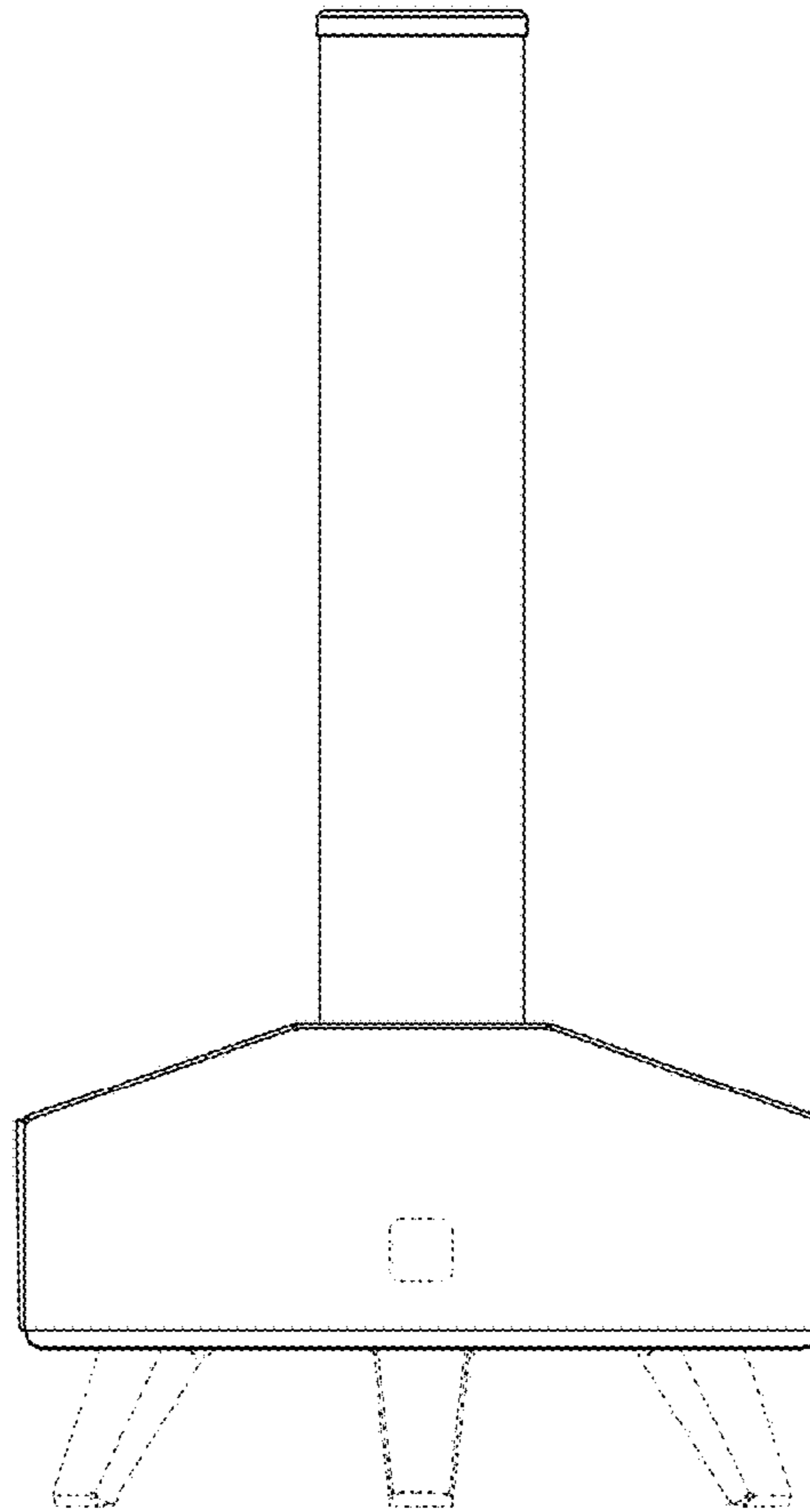


FIG. 9

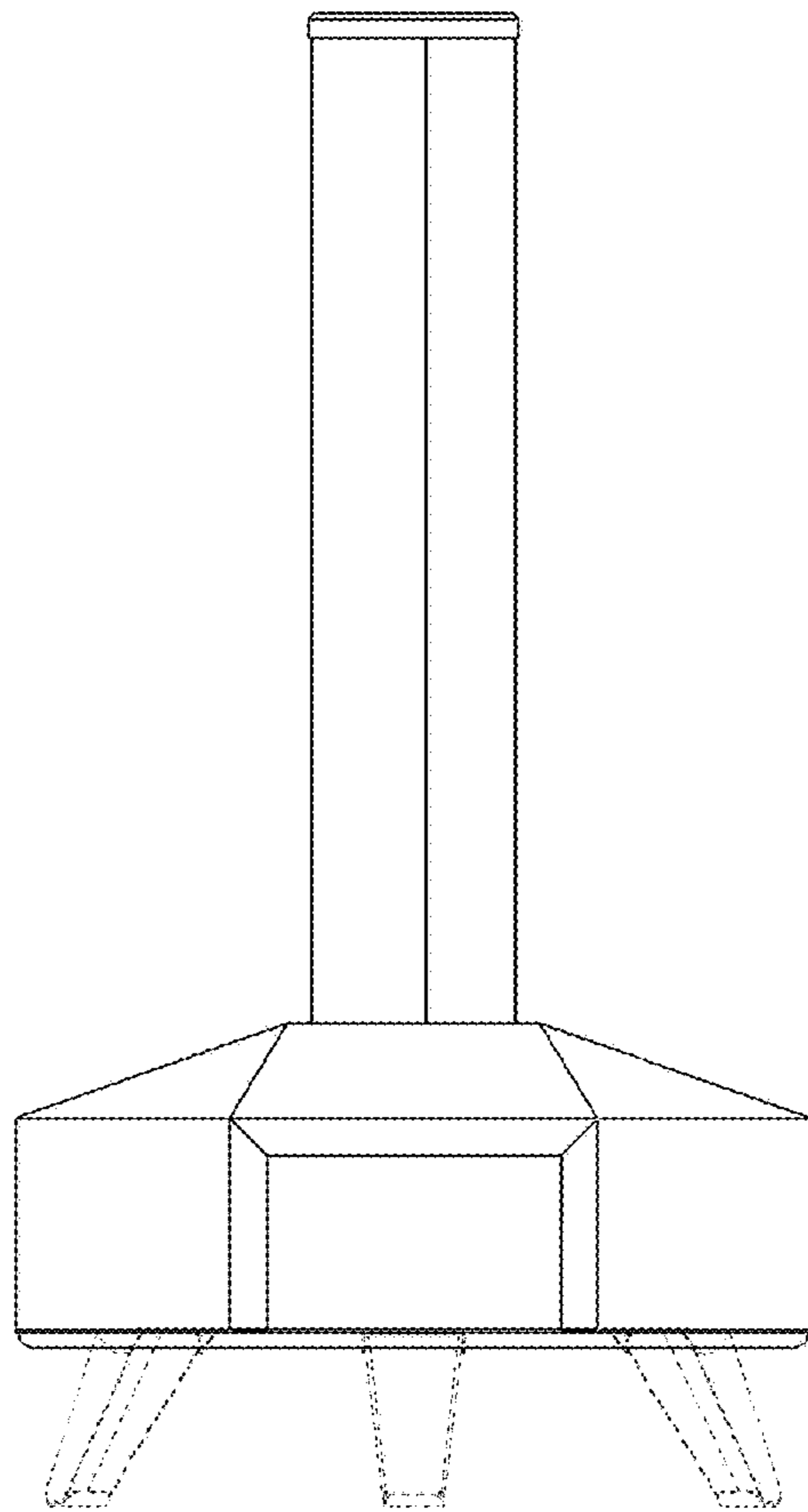


FIG. 10

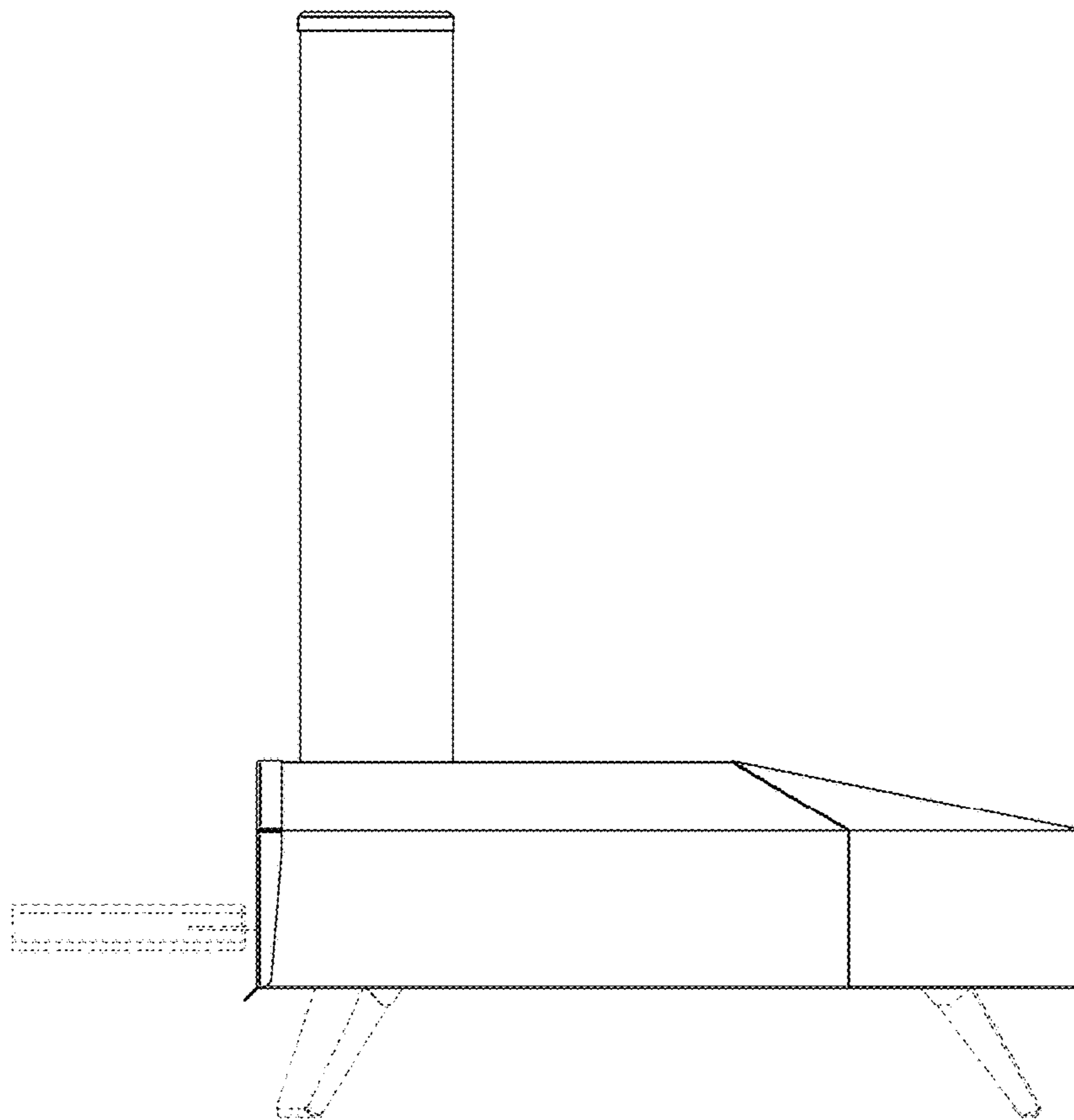


FIG. 11

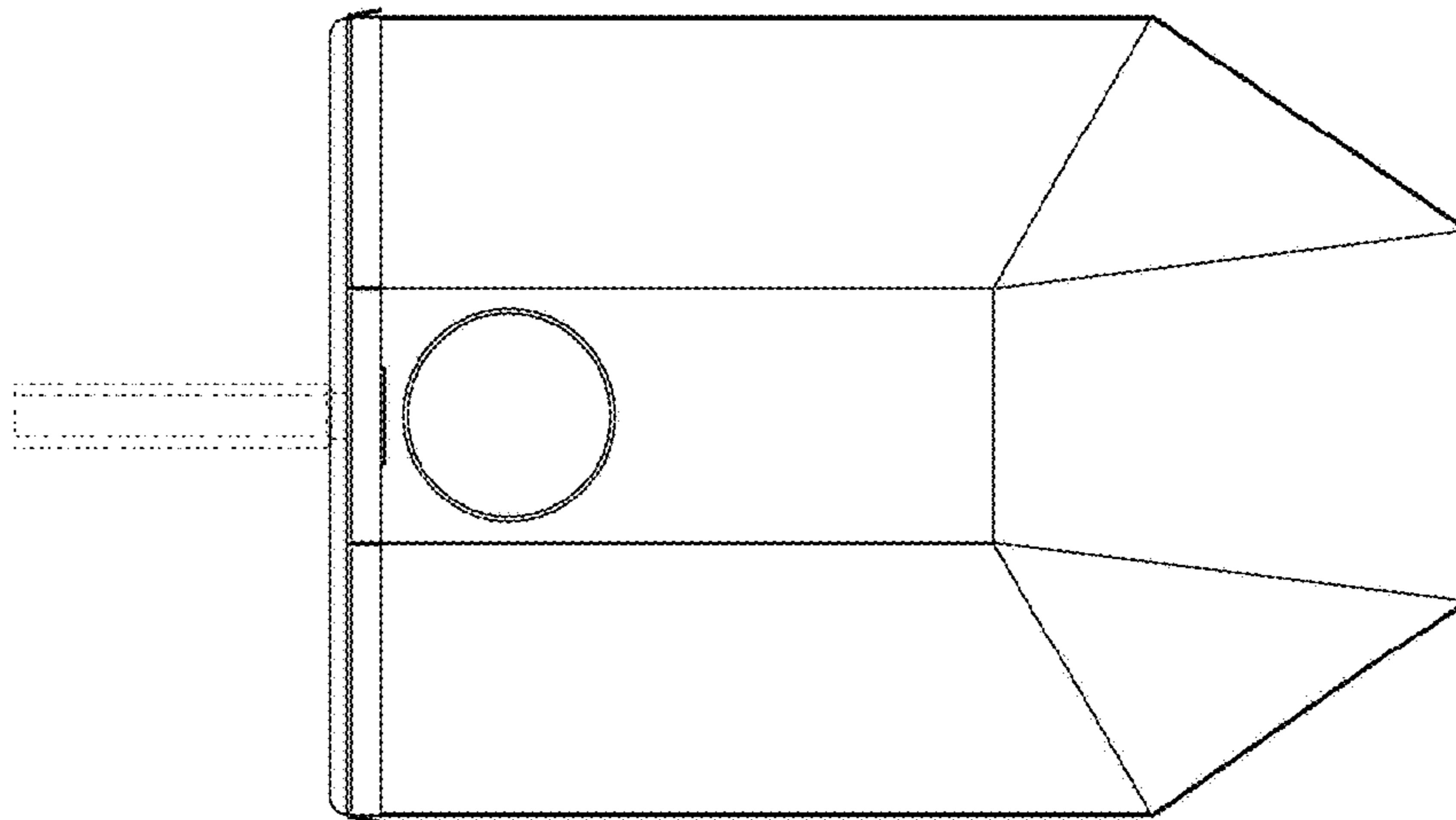


FIG. 12

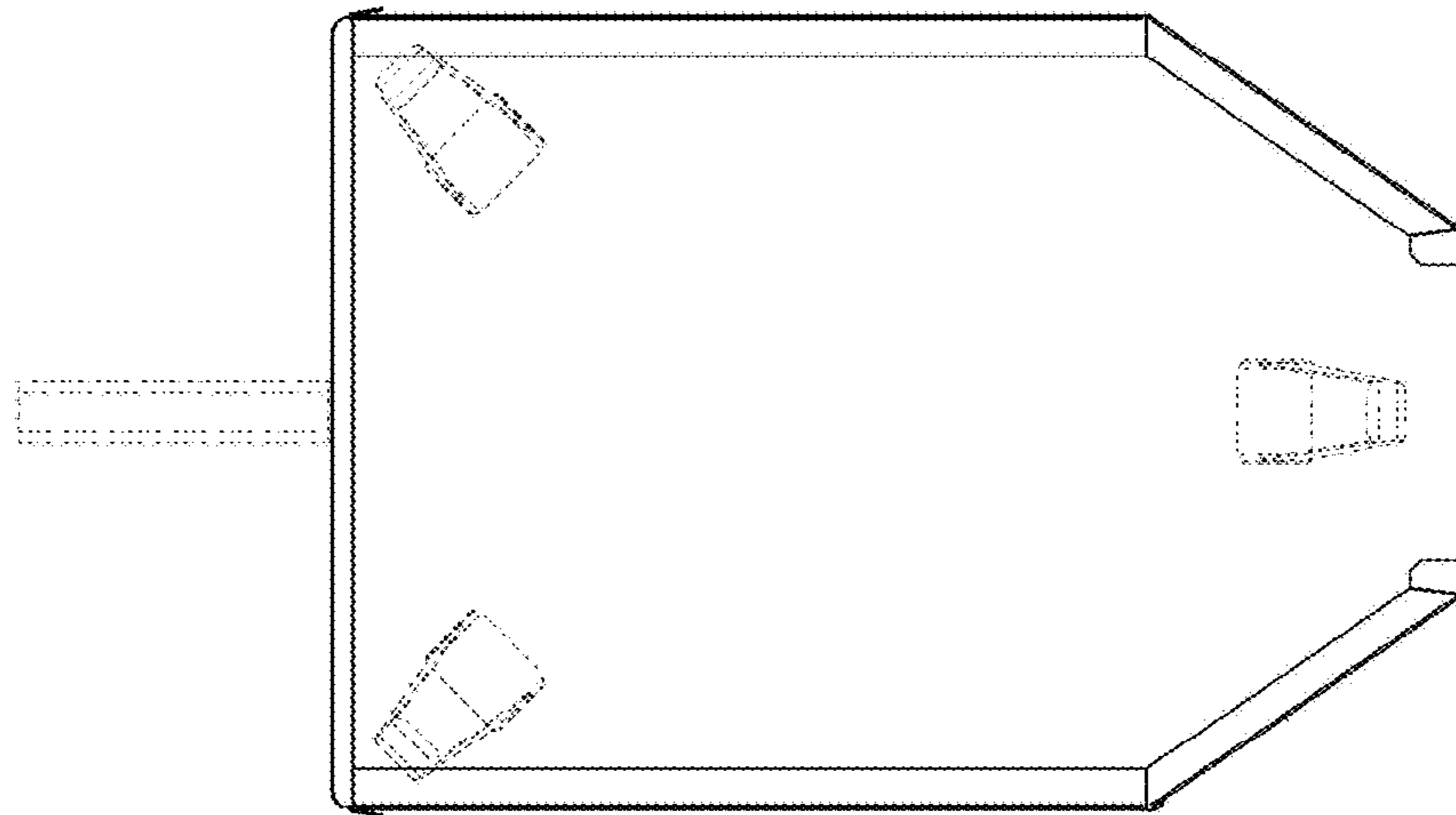


FIG. 13

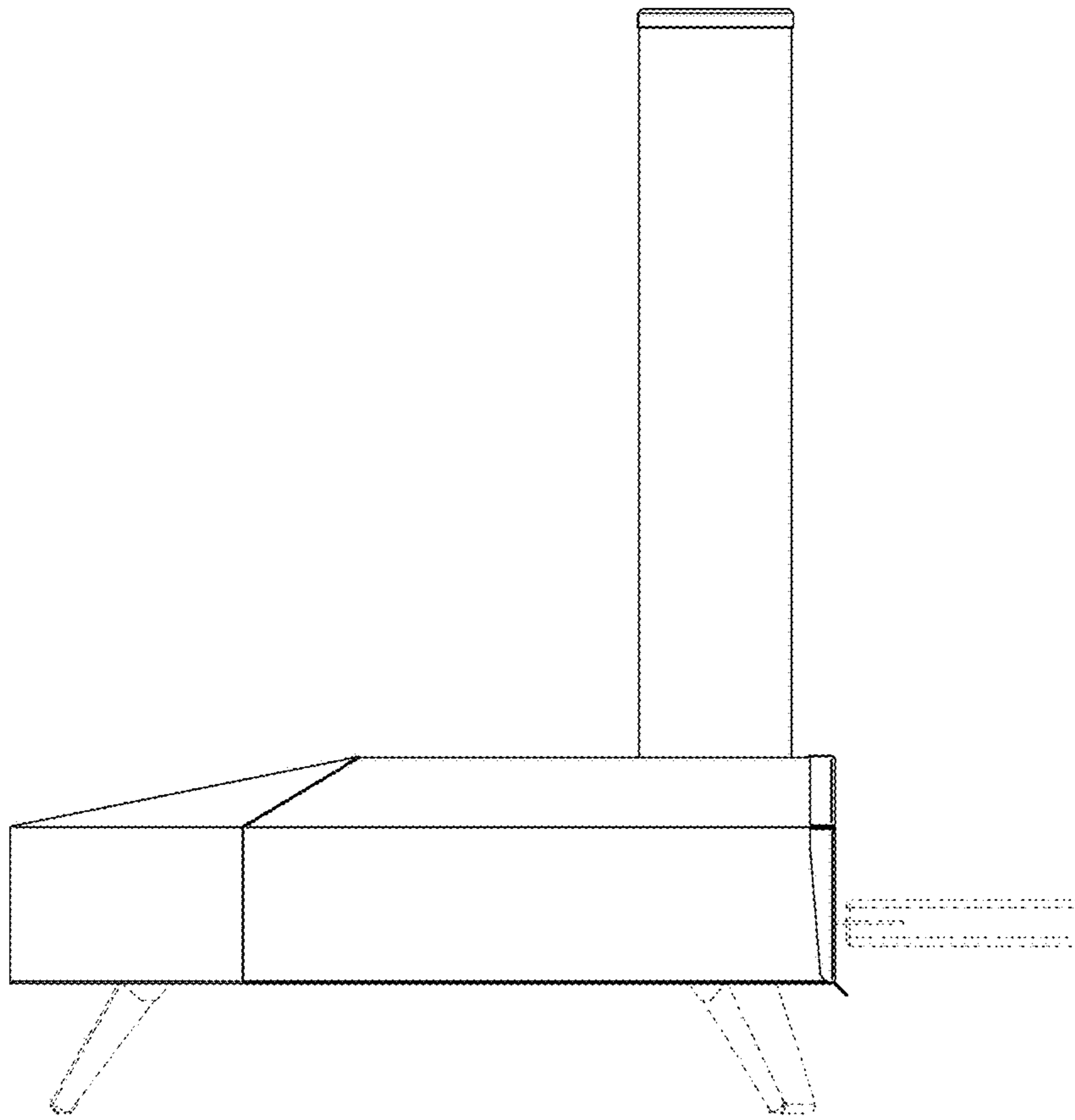


FIG. 14

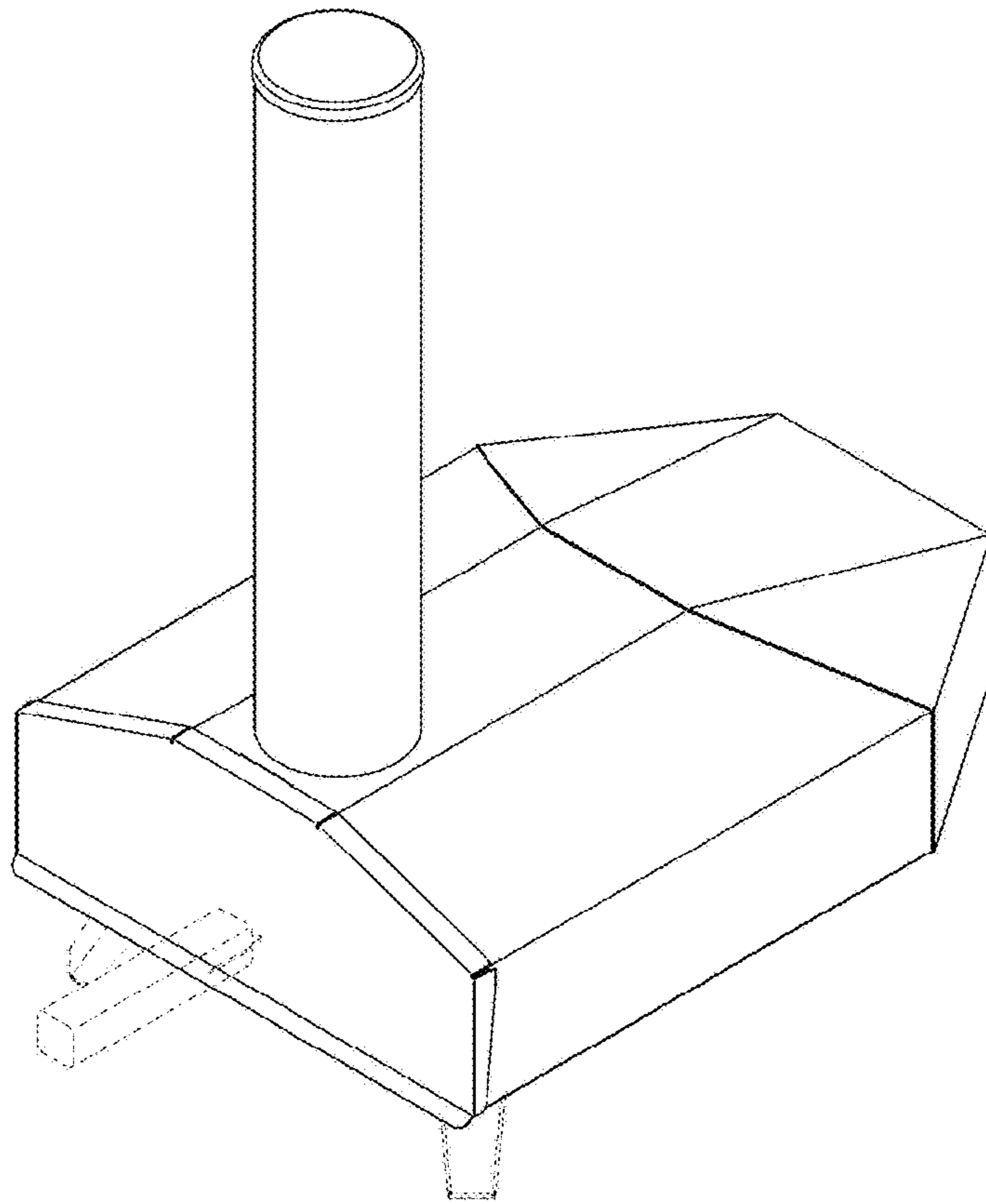


FIG. 15

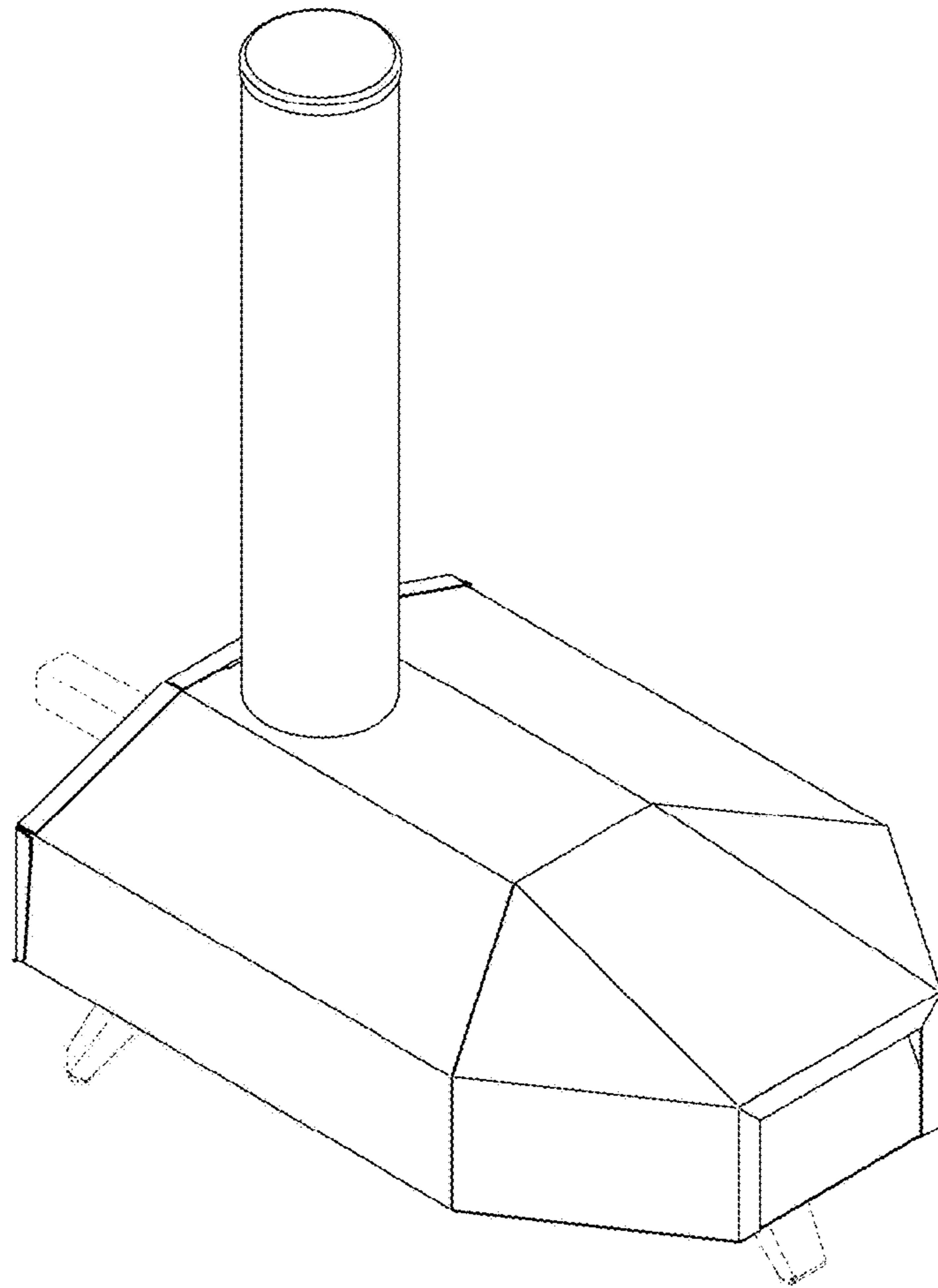


FIG. 16