



US00D862968S

(12) **United States Design Patent** (10) **Patent No.:** **US D862,968 S**  
**Mansueto et al.** (45) **Date of Patent:** **\*\* Oct. 15, 2019**

(54) **SOLID FUEL BURNING SMOKER**

(71) Applicant: **Shriro Australia Pty Limited**, Kingsgrove (AU)

(72) Inventors: **David Paul Mansueto**, Rose Bay (AU); **Lee David Blattmann**, Castle Cove (AU); **David Jones**, Beecroft (AU)

(73) Assignee: **Shriro Australia Pty Limited**, Kingsgrove (AU)

(\*\*) Term: **15 Years**

(21) Appl. No.: **29/625,191**

(22) Filed: **Nov. 7, 2017**

(30) **Foreign Application Priority Data**

May 8, 2017 (CN) ..... 2017 3 0165396

(51) **LOC (12) Cl.** ..... **07-02**

(52) **U.S. Cl.**  
USPC ..... **D7/332**

(58) **Field of Classification Search**  
USPC ..... D7/332-337, 351-353, 402-409  
CPC ..... A47J 37/07-0781; A47J 37/0786; A47J 33/00; A23B 4/044-056  
See application file for complete search history.

(56) **References Cited**

**U.S. PATENT DOCUMENTS**

D323,444 S \* 1/1992 Masters ..... D7/332  
D333,941 S \* 3/1993 Hait ..... D7/335

D442,819 S \* 5/2001 Masters ..... D7/334  
D493,328 S \* 7/2004 Wood ..... D7/332  
7,328,696 B2 \* 2/2008 Rodriguez ..... A47J 37/0704  
126/30  
D575,572 S \* 8/2008 Griffard ..... D7/335  
D598,698 S \* 8/2009 Lee ..... D7/332  
D686,443 S \* 7/2013 Morabito ..... D7/332  
D714,090 S \* 9/2014 Harper ..... D7/334  
D717,093 S \* 11/2014 Chang ..... D7/334  
D830,096 S \* 10/2018 Bucklew ..... D7/332

\* cited by examiner

*Primary Examiner* — Brett Miller

(74) *Attorney, Agent, or Firm* — Dascenzo Intellectual Property Law, P.C.; David S. D'Ascenzo

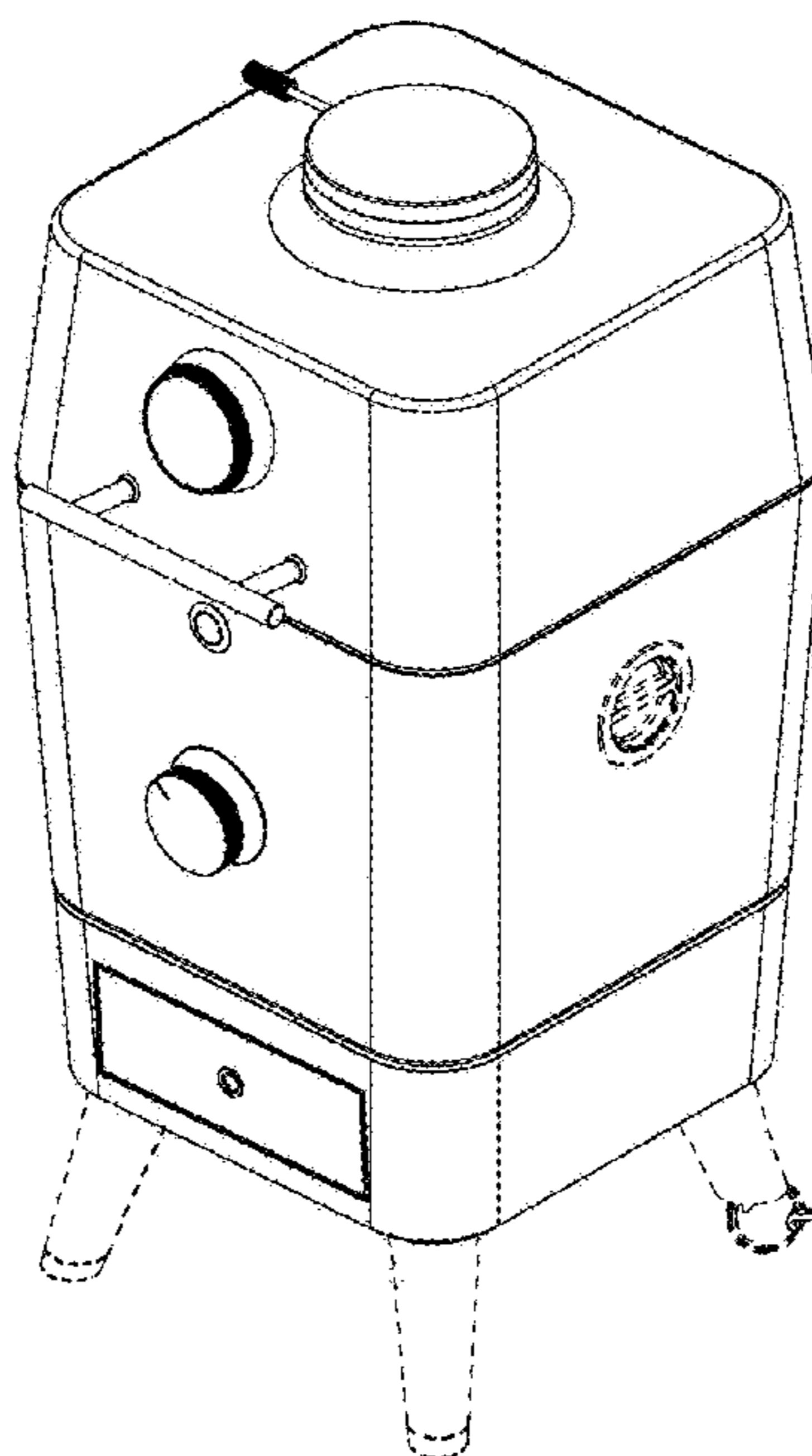
(57) **CLAIM**

The design for a solid fuel burning smoker, as shown and described.

**DESCRIPTION**

FIG. 1 is an isometric front view of a solid fuel burning smoker showing the new design.  
FIG. 2 is an isometric rear view of the design of FIG. 1.  
FIG. 3 is a left side view of the design of FIG. 1.  
FIG. 4 is a front view of the design of FIG. 1.  
FIG. 5 is a right side view of the design of FIG. 1; and, FIG. 6 is a top view of the design of FIG. 1.  
The lighter lines shown in the drawings represent the three-dimensional contour of the design and are not intended to indicate surface decoration. The broken lines depict portions of the solid fuel burning smoker that form no part of the claimed design.

**1 Claim, 6 Drawing Sheets**



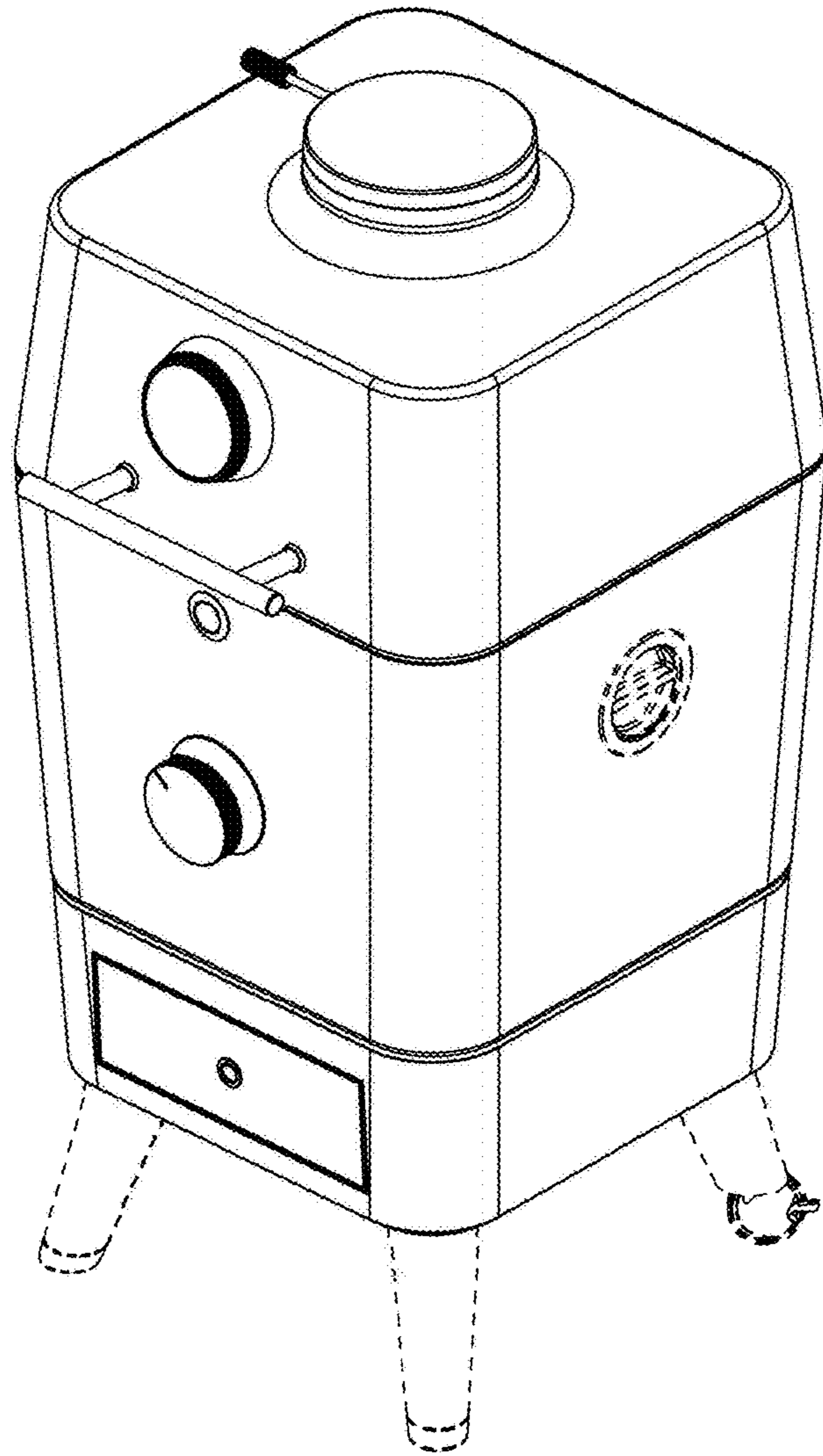


Fig. 1

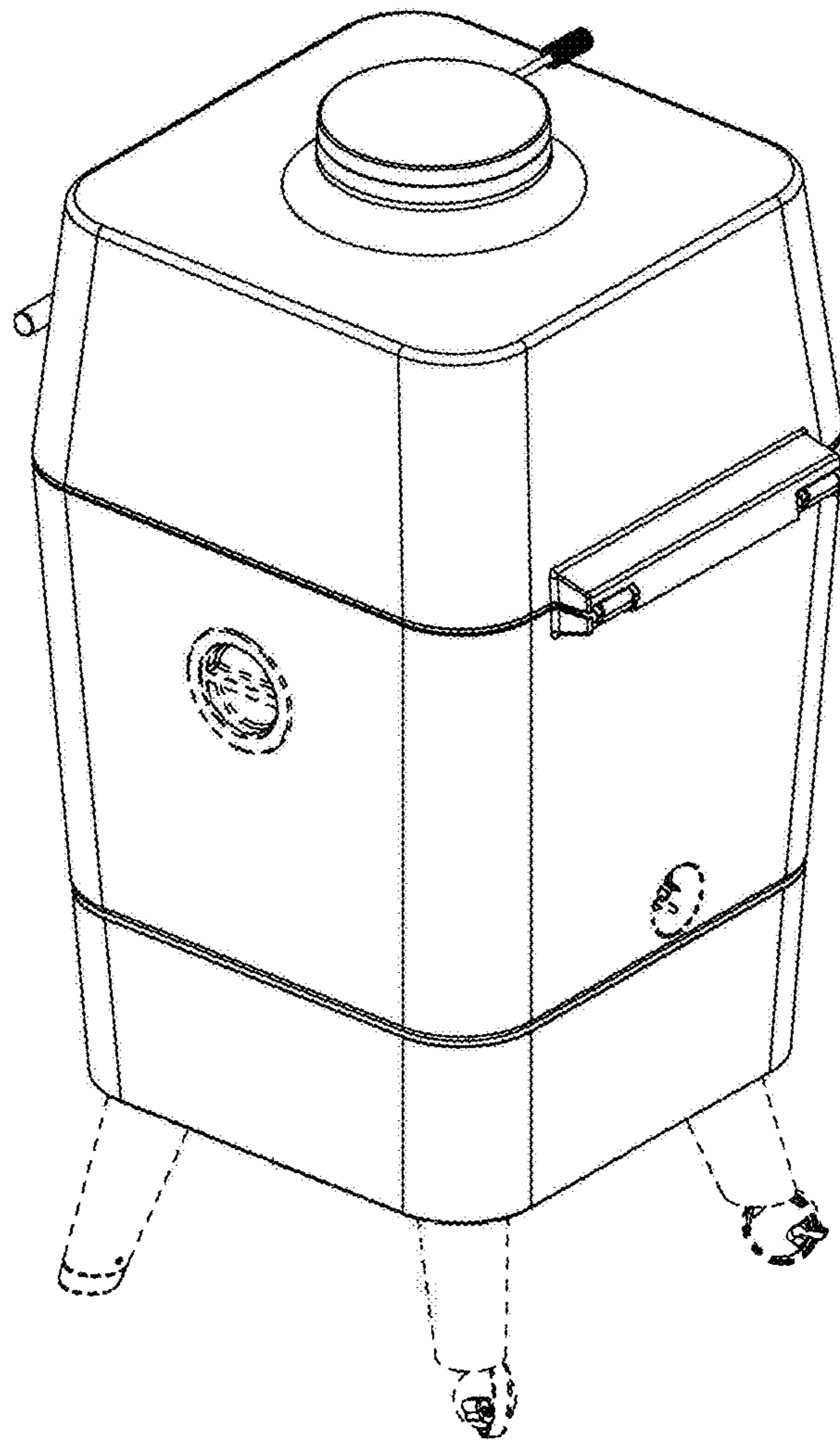


Fig. 2

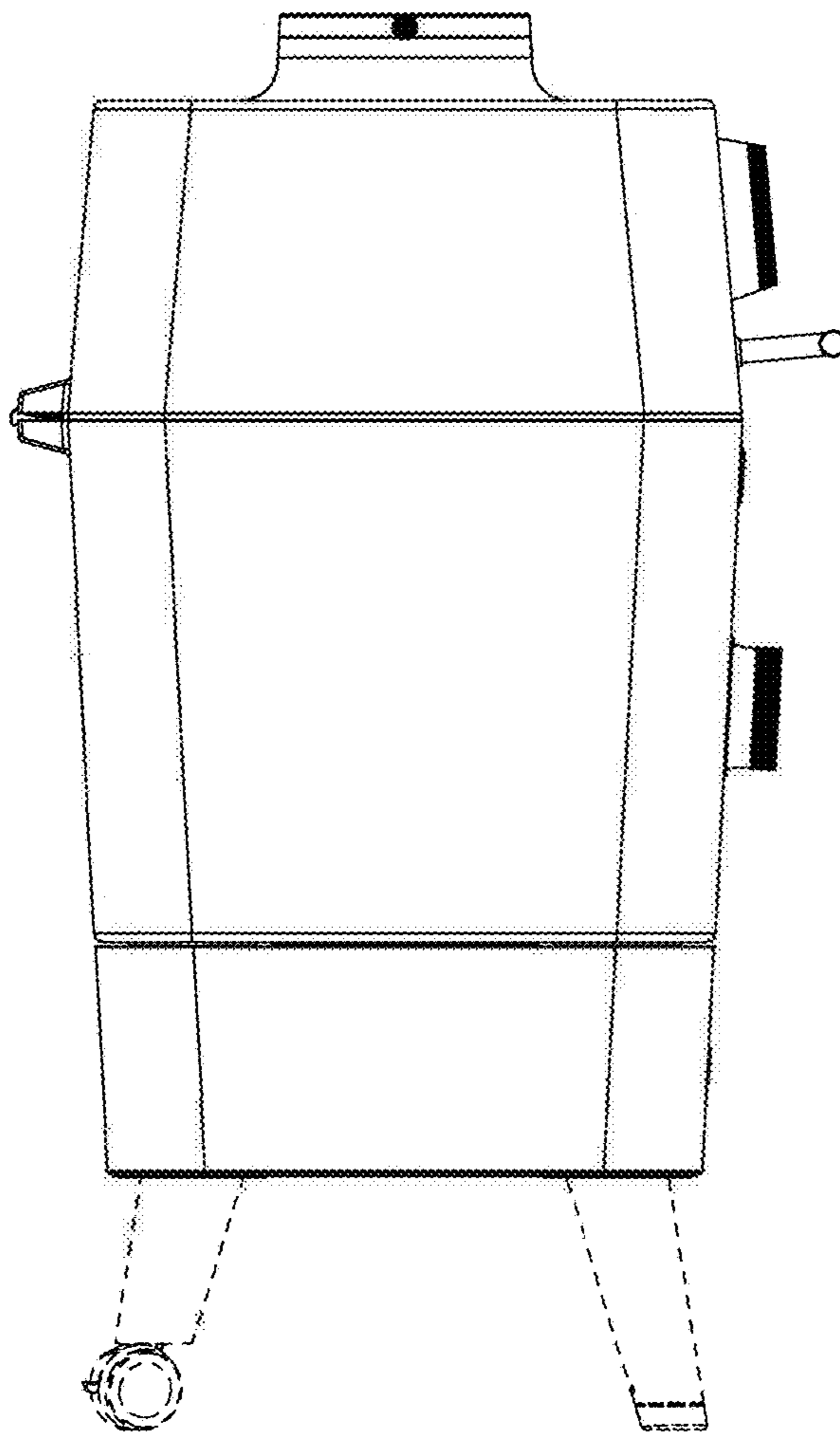


Fig. 3

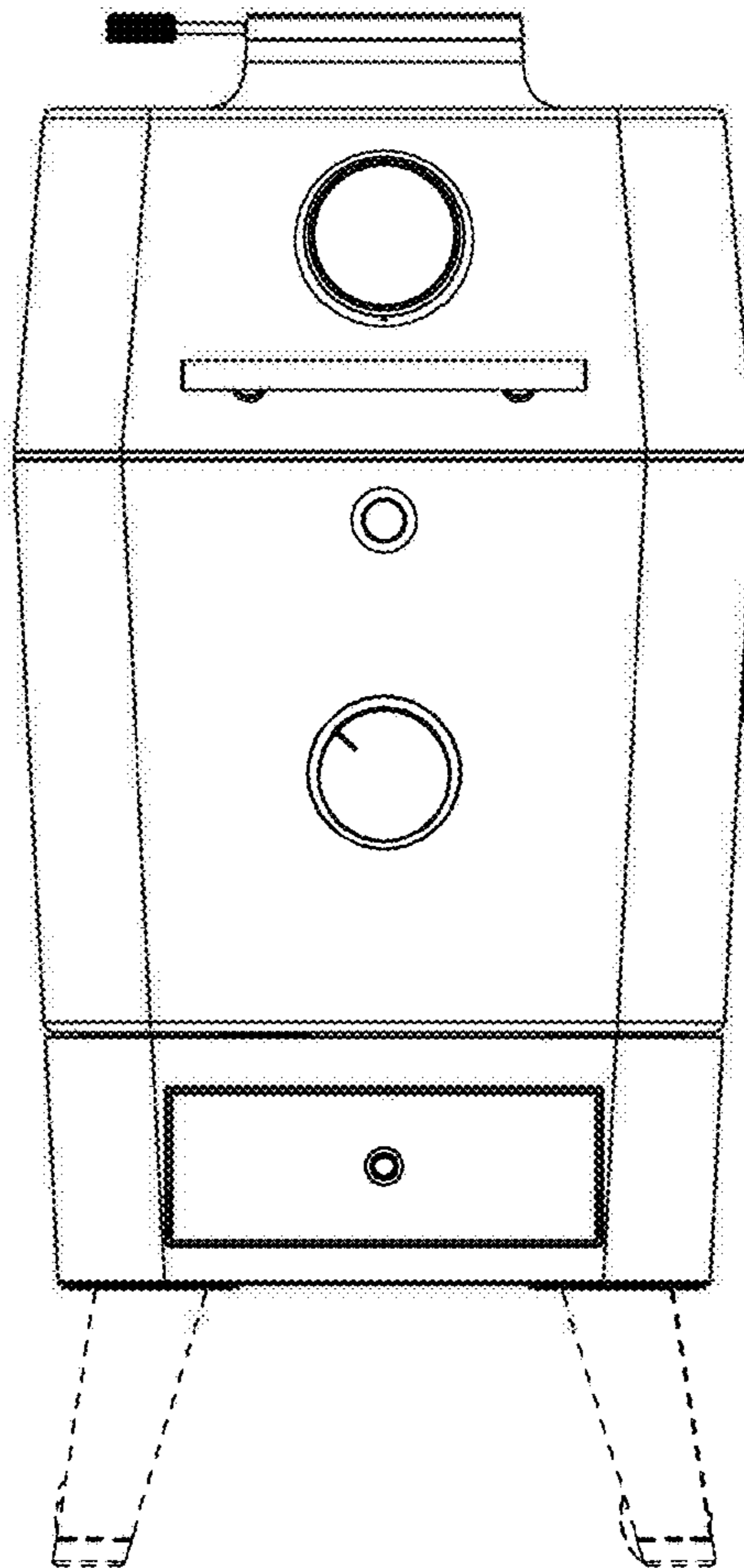


Fig. 4

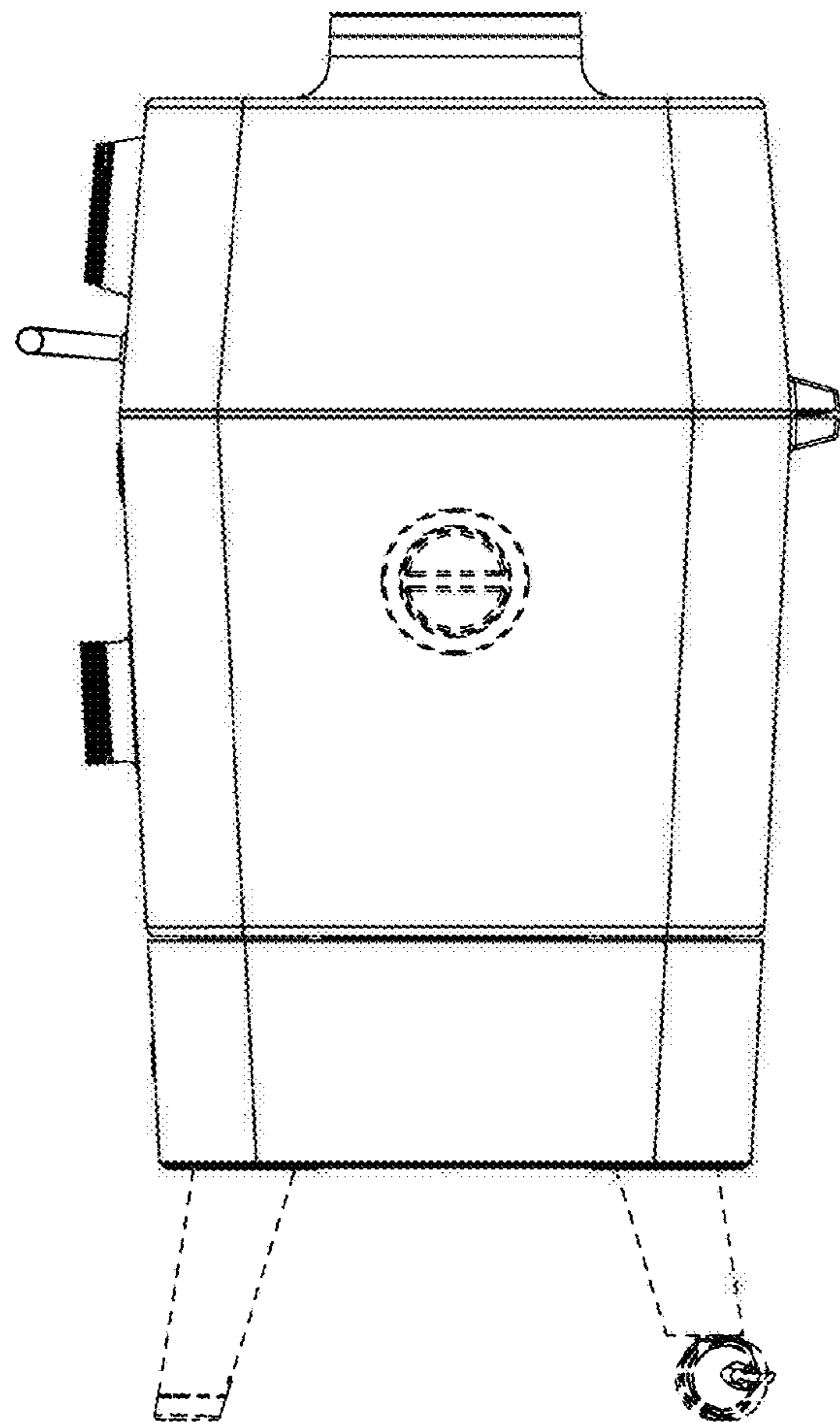


Fig. 5

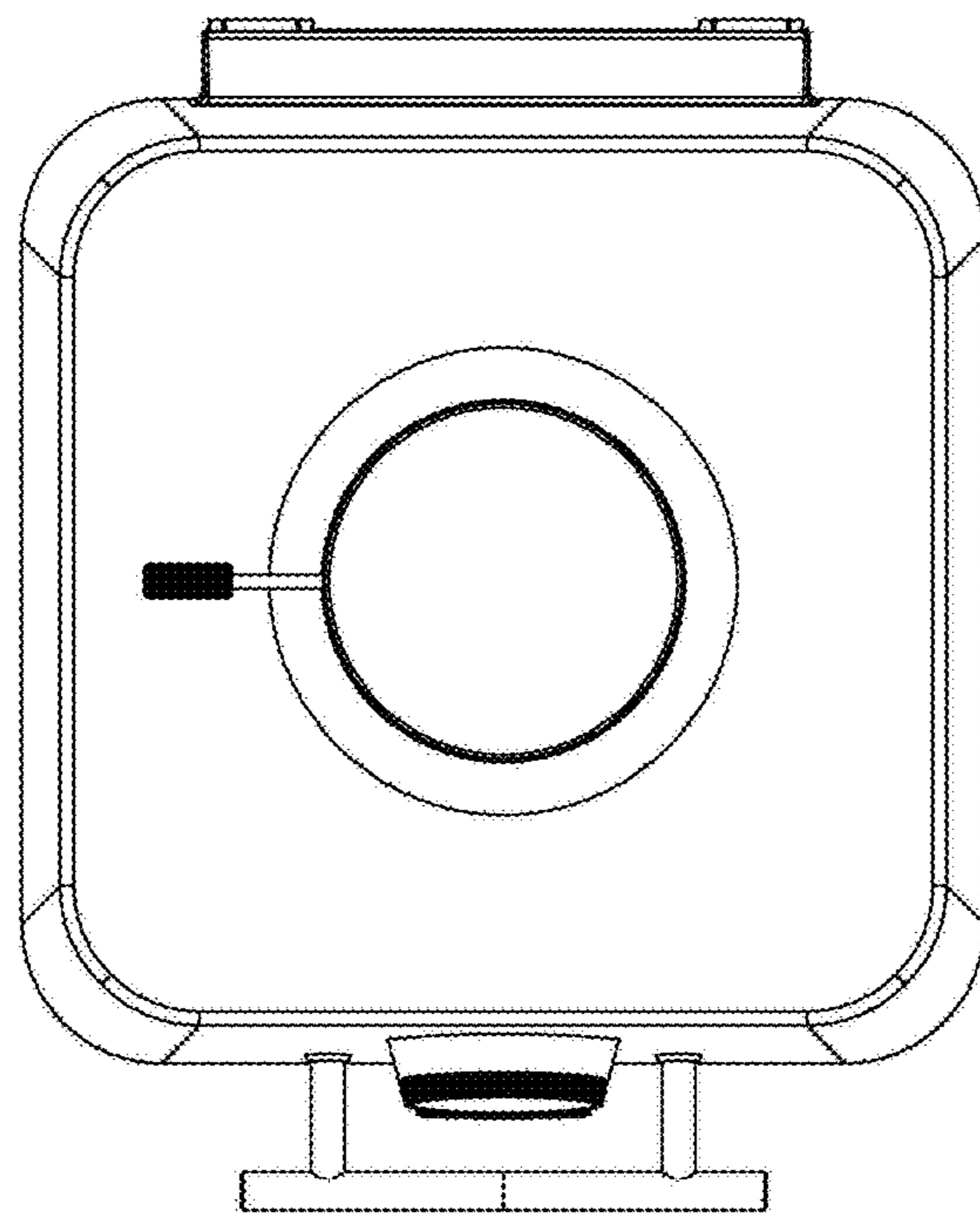


Fig. 6