



US00D862967S

(12) **United States Design Patent**
Workman et al.

(10) **Patent No.:** **US D862,967 S**

(45) **Date of Patent:** **** Oct. 15, 2019**

(54) **PORTABLE COOKING DEVICE**

(71) Applicant: **Barebones Systems, LLC**, Salt Lake City, UT (US)

(72) Inventors: **Robert Emmett Workman**, Morgan, UT (US); **David Jared Burton**, Payson, UT (US); **Erik Robert Workman**, Salt Lake City, UT (US); **Kristin Mecham**, Springville, UT (US)

(73) Assignee: **Barebones Systems, LLC**, Salt Lake City, UT (US)

(**) Term: **15 Years**

(21) Appl. No.: **29/625,032**

(22) Filed: **Nov. 6, 2017**

(51) **LOC (12) Cl.** **07-02**

(52) **U.S. Cl.**
USPC **D7/332**

(58) **Field of Classification Search**
USPC D7/332-337, 351-353, 402-409, 360
CPC A47J 37/07-0781; A47J 37/0786; A47J
33/00; A23B 4/044-056
See application file for complete search history.

(56) **References Cited**

U.S. PATENT DOCUMENTS

4,463,746 A * 8/1984 Knuth A47J 37/0763
126/25 R
D381,557 S * 7/1997 Bradley D7/332

D414,980 S * 10/1999 Pai D7/337
D420,546 S * 2/2000 Pai D7/332
D457,775 S * 5/2002 Peloquin D7/332
D459,629 S * 7/2002 Pai D7/332
D467,765 S * 12/2002 Yeh D7/337
D482,561 S * 11/2003 Yeh D7/332
D656,774 S * 4/2012 Lin D7/334
D677,526 S * 3/2013 Wade D7/335
D791,527 S * 7/2017 Jaggard D7/334
D828,071 S * 9/2018 Dutruel D7/332

* cited by examiner

Primary Examiner — Brett Miller

(74) *Attorney, Agent, or Firm* — Morriss O'Bryant
Compagni Cannon, PLLC

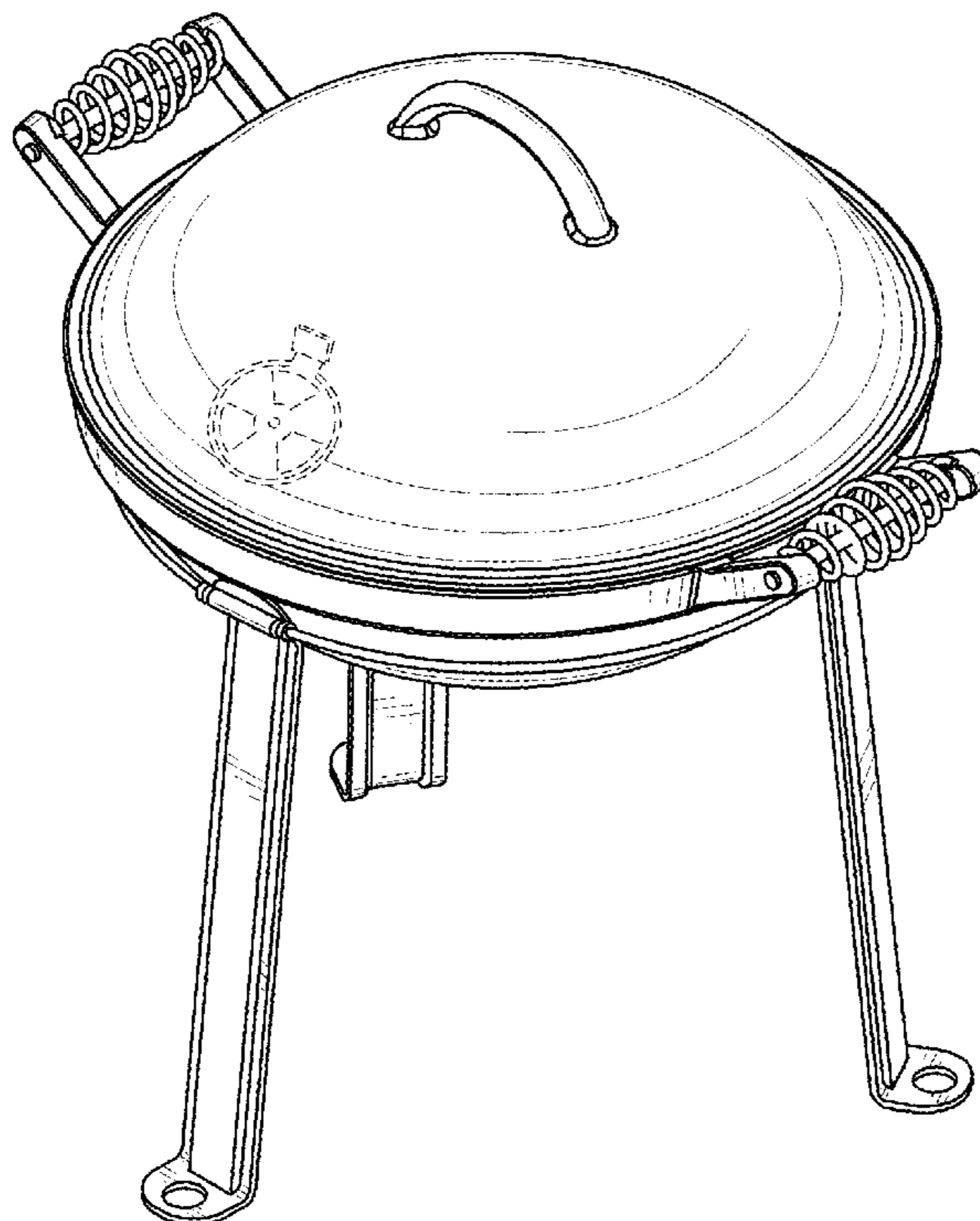
(57) **CLAIM**

The ornamental design for a portable cooking device, as shown and described.

DESCRIPTION

FIG. 1 is a perspective front side view of a portable cooking device of the present invention; FIG. 2 is a front side view of the portable cooking device; FIG. 3 is a back side view of the portable cooking device; FIG. 4 is a left side view of the portable cooking device; FIG. 5 is a right side view of the portable cooking device; FIG. 6 is a top side view of the portable cooking device; and, FIG. 7 is a bottom side view of the portable cooking device. The broken lines shown in the drawings illustrate portions of the portable cooking device and form no part of the claimed design.

1 Claim, 6 Drawing Sheets



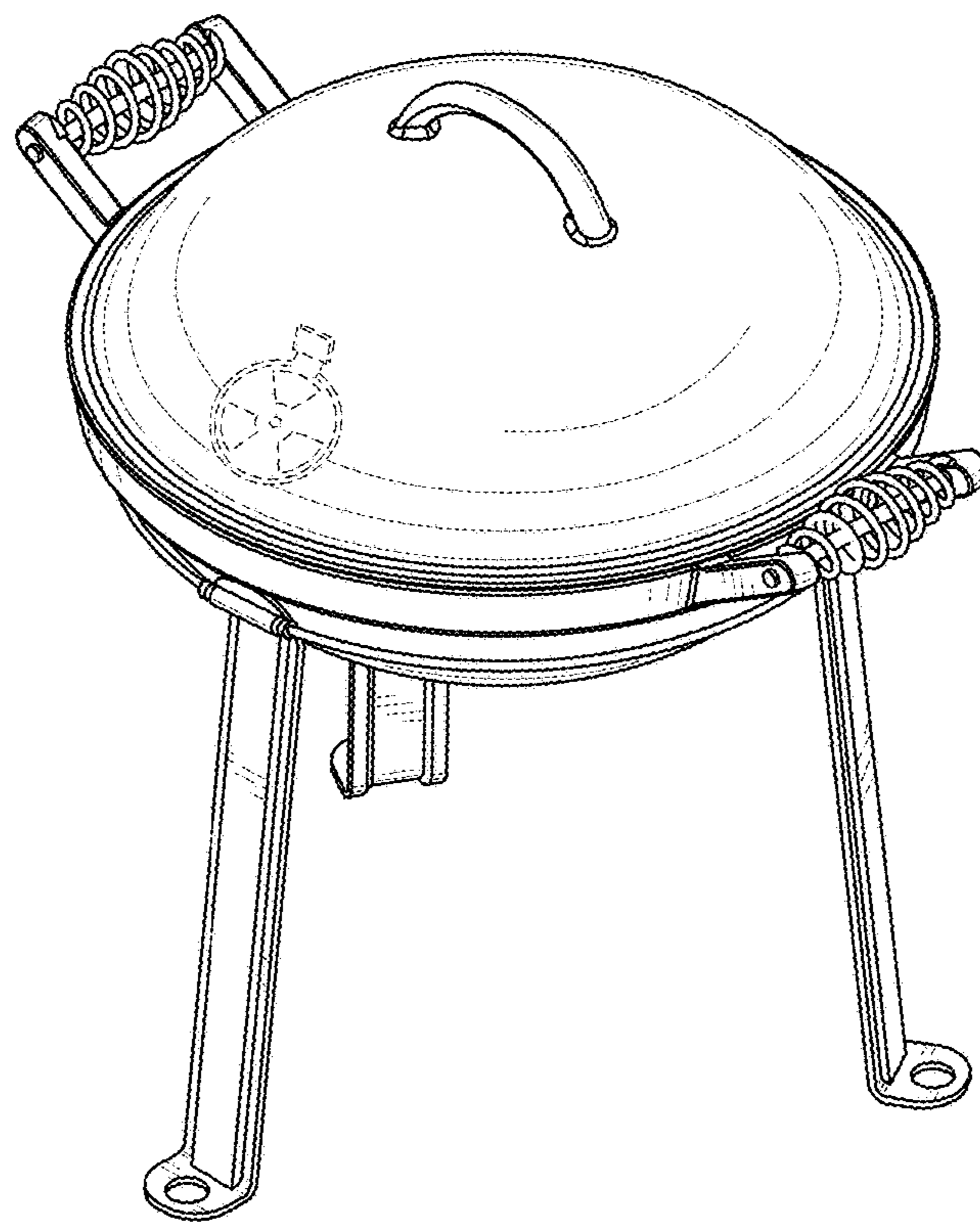


FIG. 1

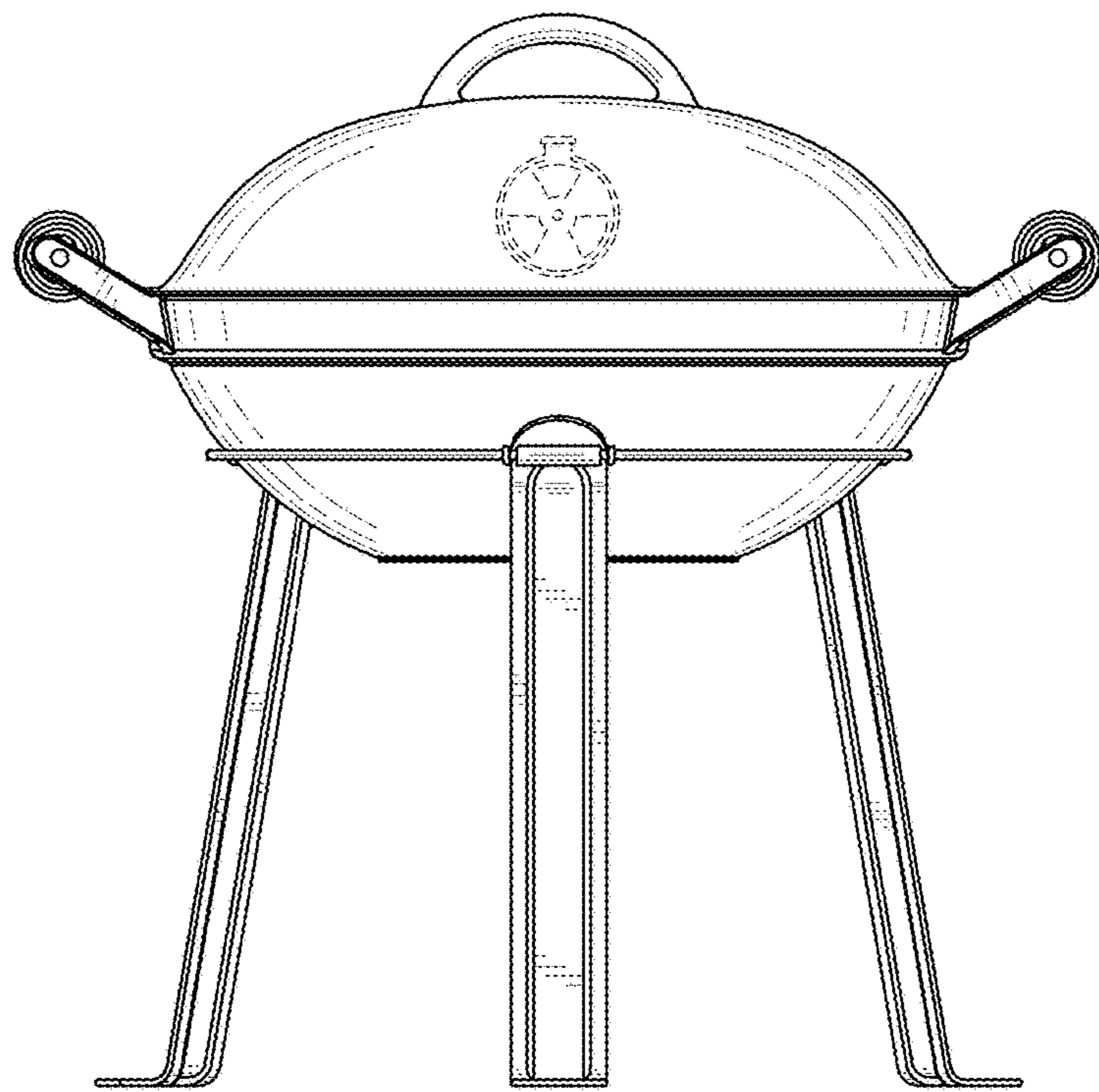


FIG. 2

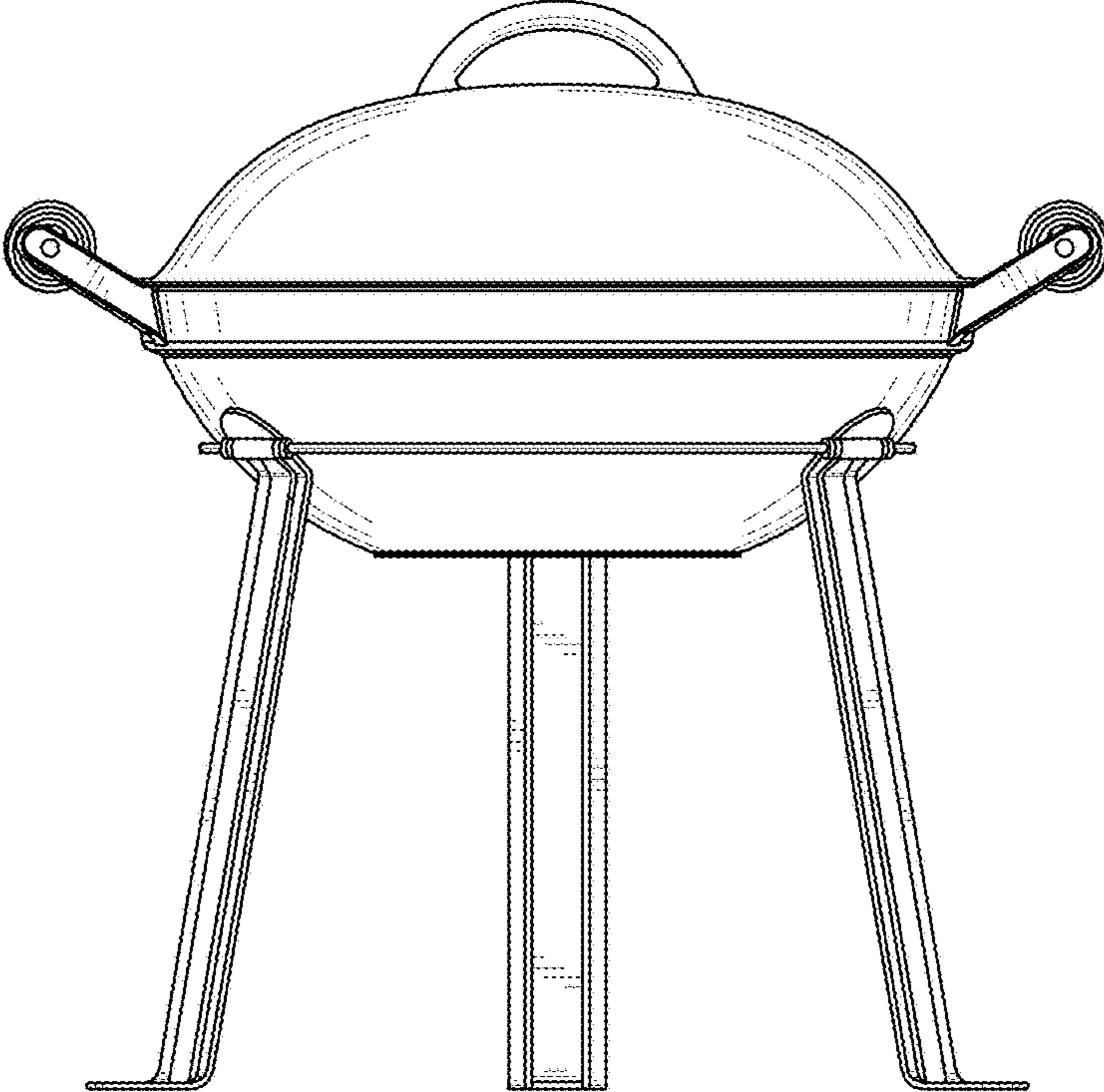


FIG. 3

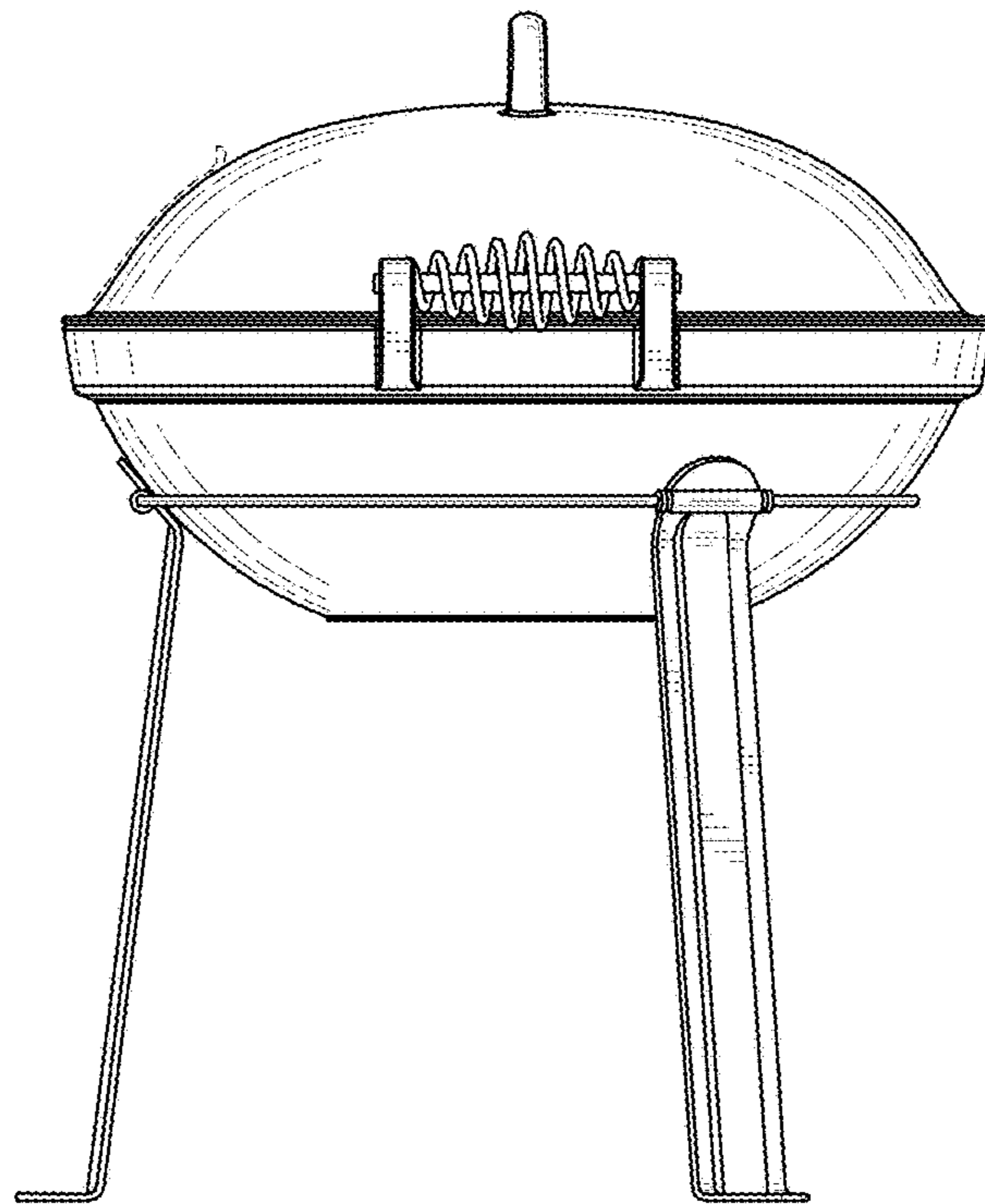


FIG. 4

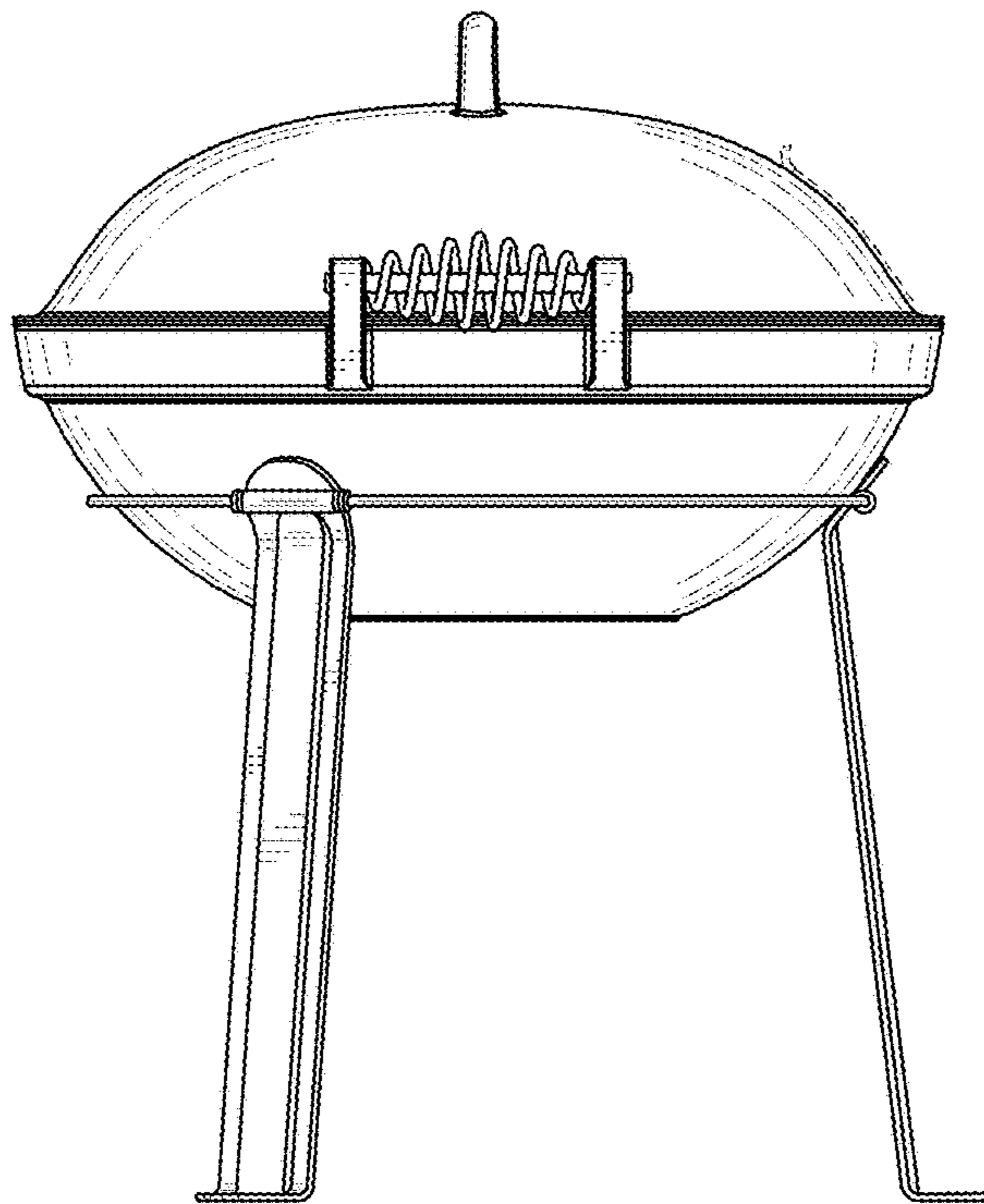


FIG. 5

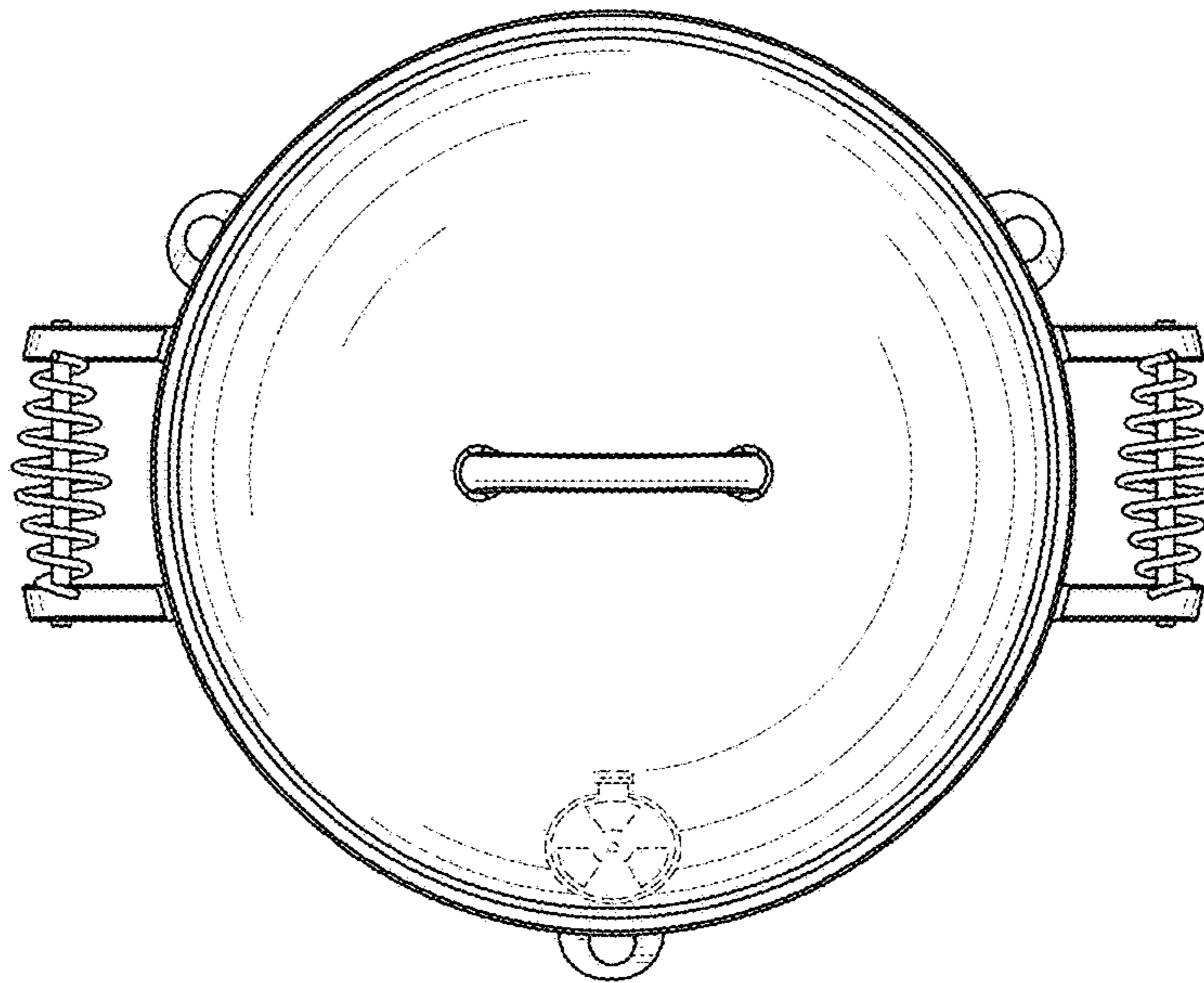


FIG. 6

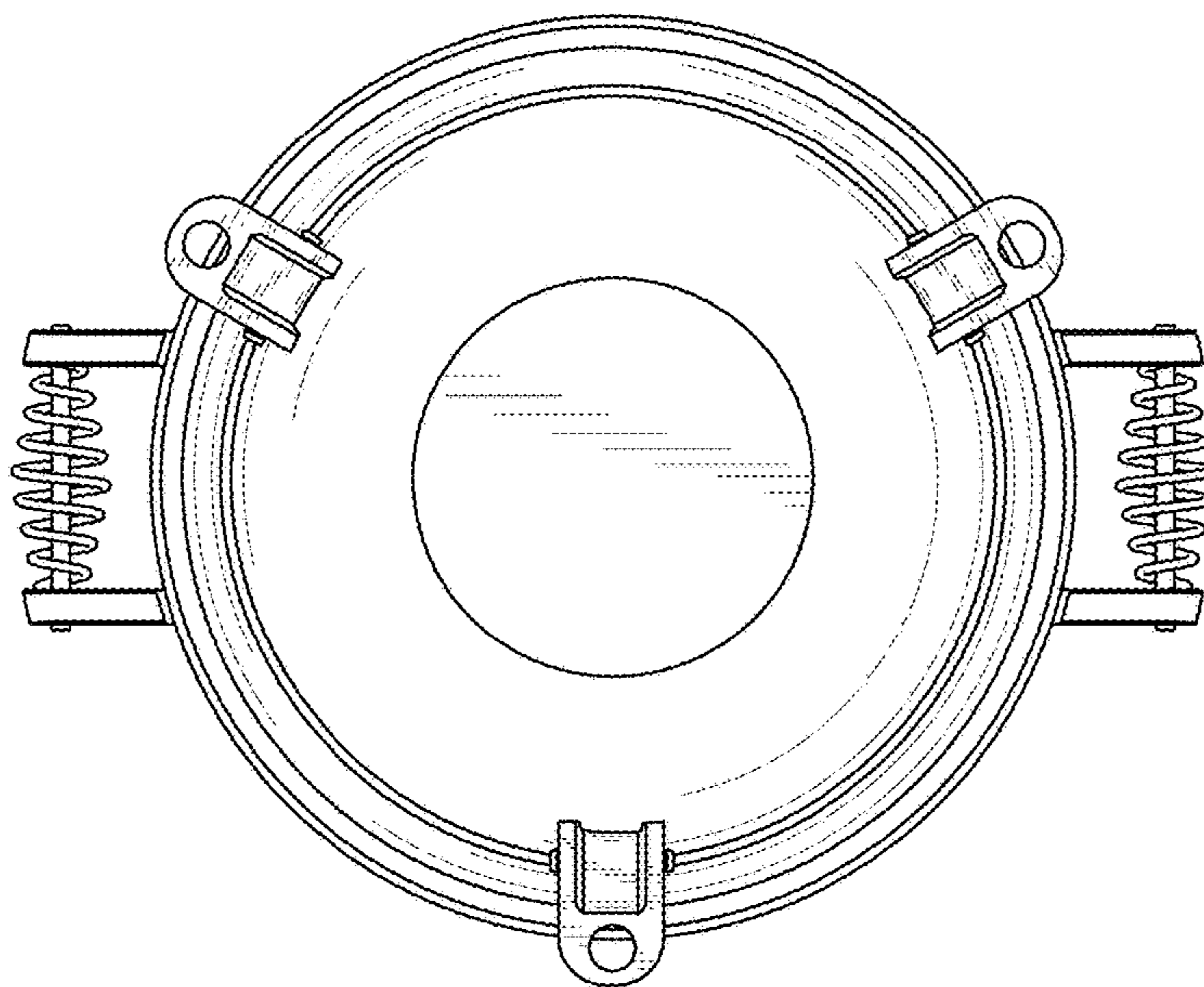


FIG. 7