



US00D862966S

(12) **United States Design Patent**  
**Brook et al.**

(10) **Patent No.:** **US D862,966 S**  
(45) **Date of Patent:** **\*\* Oct. 15, 2019**

(54) **TOASTER**  
(71) Applicant: **Sunbeam Products, Inc.**, Boca Raton, FL (US)  
(72) Inventors: **Nick Brook**, Sale (GB); **Austin Laniosz**, Willowbrook, IL (US)  
(73) Assignee: **Sunbeam Products, Inc.**, Boca Raton, FL (US)  
(\*\*) Term: **15 Years**

D749,349 S \* 2/2016 Carlson ..... D7/330  
D761,610 S \* 7/2016 Carpenter ..... D7/330  
D765,456 S \* 9/2016 Lee ..... D7/330  
D807,677 S \* 1/2018 Ho ..... D7/330  
D838,132 S \* 1/2019 Kowalewski ..... D7/330  
D843,769 S \* 3/2019 Chen ..... D7/330

\* cited by examiner

*Primary Examiner* — Ricky Pham

(74) *Attorney, Agent, or Firm* — Husch Blackwell LLP

(21) Appl. No.: **29/646,005**  
(22) Filed: **May 1, 2018**  
(51) **LOC (12) Cl.** ..... **07-02**  
(52) **U.S. Cl.**  
USPC ..... **D7/330**  
(58) **Field of Classification Search**  
USPC ..... D7/323, 328–330, 390  
CPC ... A21B 2/00; A47J 37/00; A47J 37/06; A47J 37/0611; A47J 37/08; A47J 37/0807; A47J 37/0814; A47J 37/0835; A47J 37/0842; A47J 37/085; A47J 37/0864; A47J 37/0878; A47J 37/0885; A47J 37/0892; F24C 15/10; F24C 15/102  
See application file for complete search history.

(57) **CLAIM**

The ornamental design for a toaster, as shown and described.

**DESCRIPTION**

FIG. 1 depicts a front perspective view of a toaster of the present disclosure;  
FIG. 2 depicts a front side view of the toaster of FIG. 1;  
FIG. 3 depicts a rear side view of the toaster of FIG. 1;  
FIG. 4 depicts a left side view of the toaster of FIG. 1;  
FIG. 5 depicts a right side view of the toaster of FIG. 1;  
FIG. 6 depicts a top view of the toaster of FIG. 1; and  
FIG. 7 depicts a bottom view of the toaster of FIG. 1.  
The broken lines in the drawings depict portions of the toaster that form no part of the claimed design.

(56) **References Cited**

**U.S. PATENT DOCUMENTS**

D632,124 S \* 2/2011 Thomas ..... D7/330  
D644,473 S \* 9/2011 Pantaleo ..... D7/330

**1 Claim, 4 Drawing Sheets**

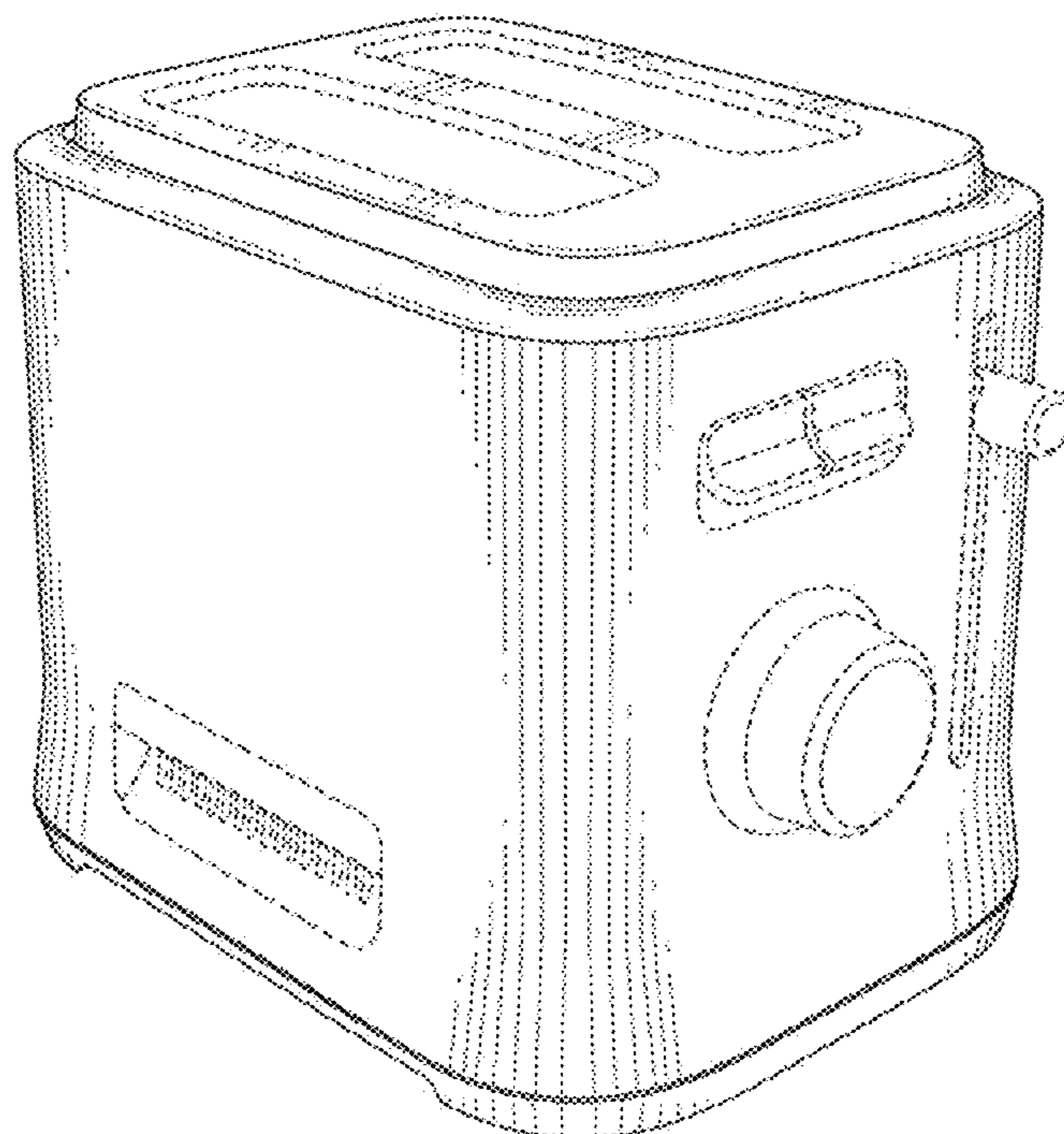


FIG. 1

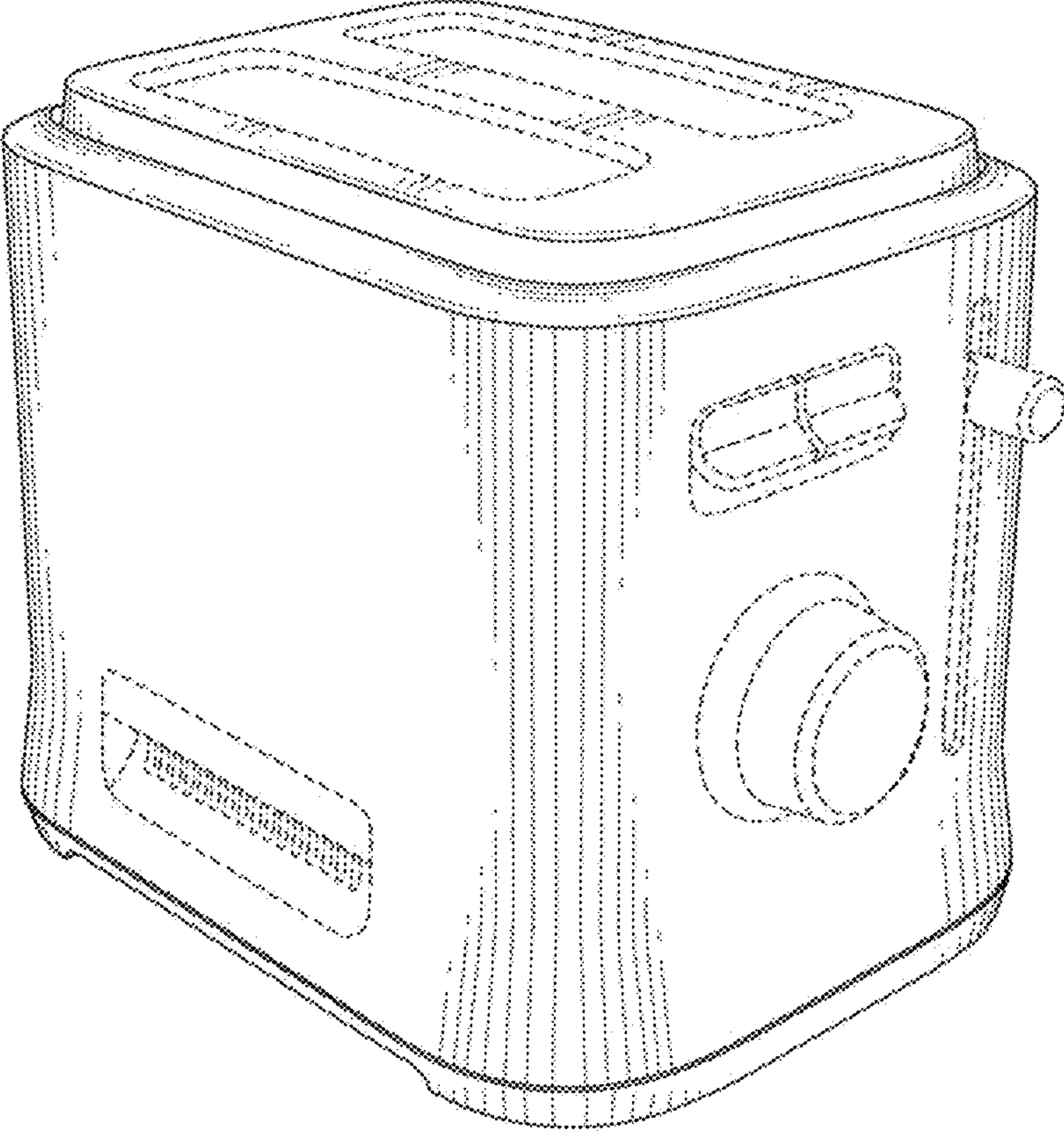


FIG. 2

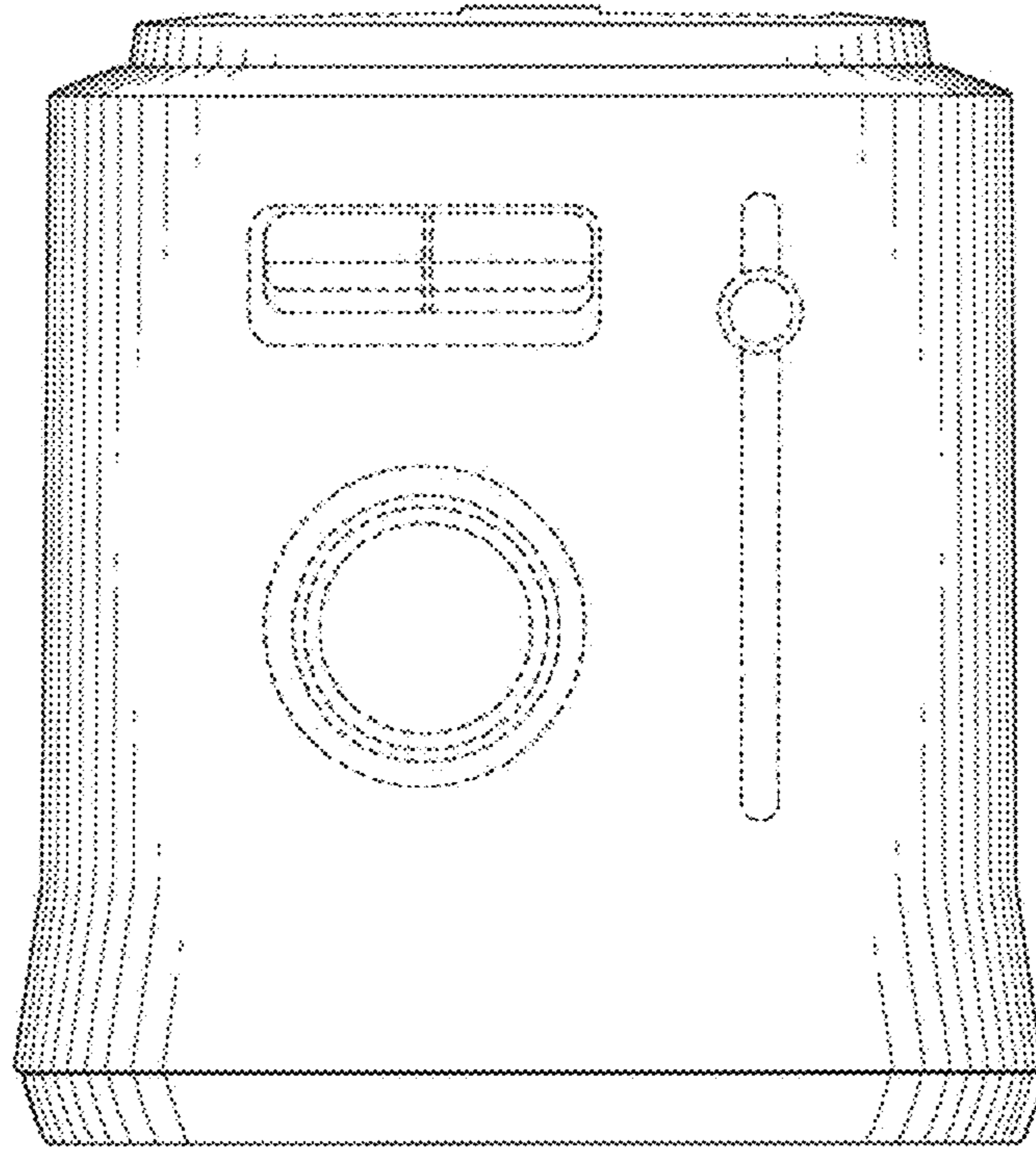


FIG. 3

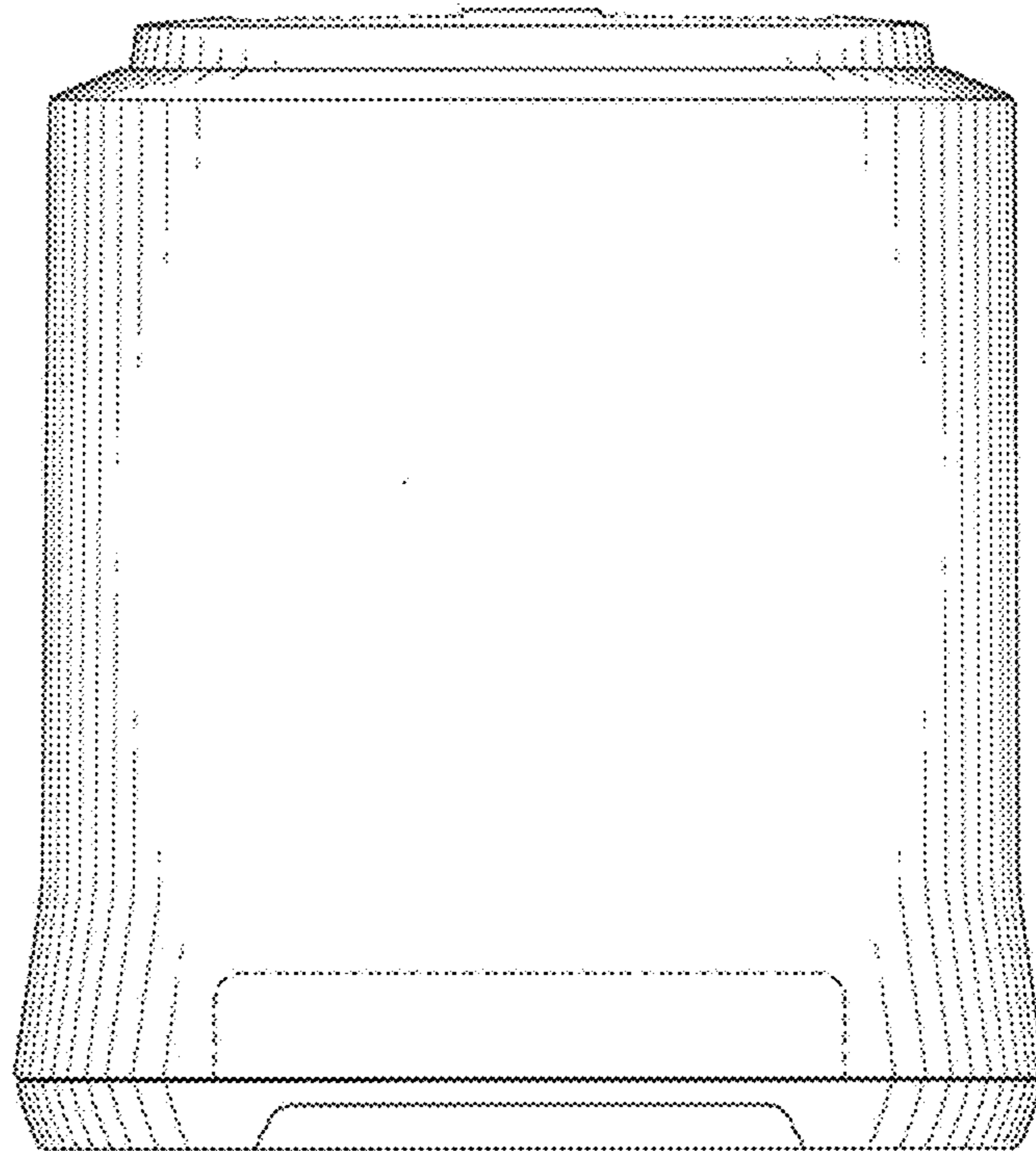


FIG. 4

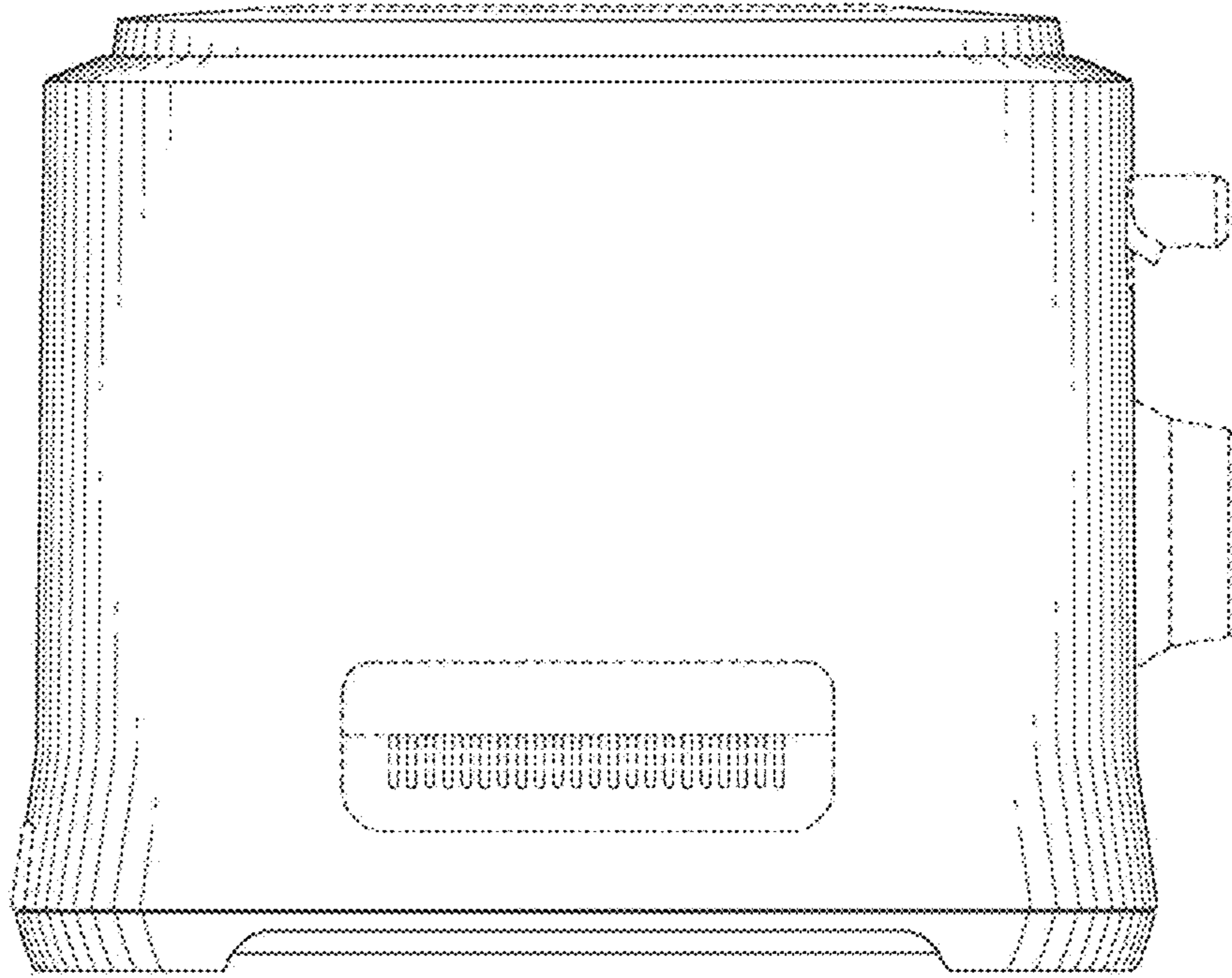


FIG. 5

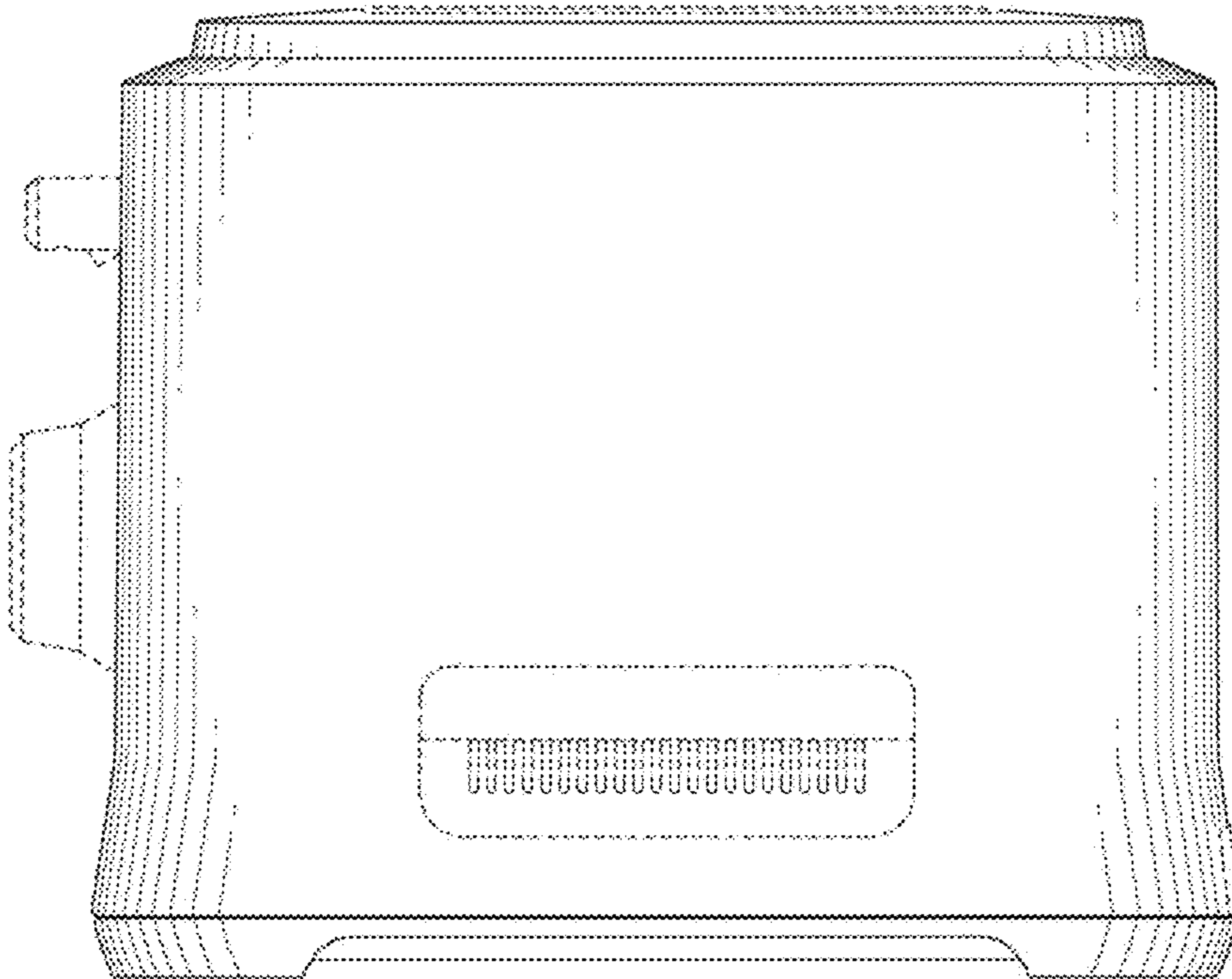


FIG. 6

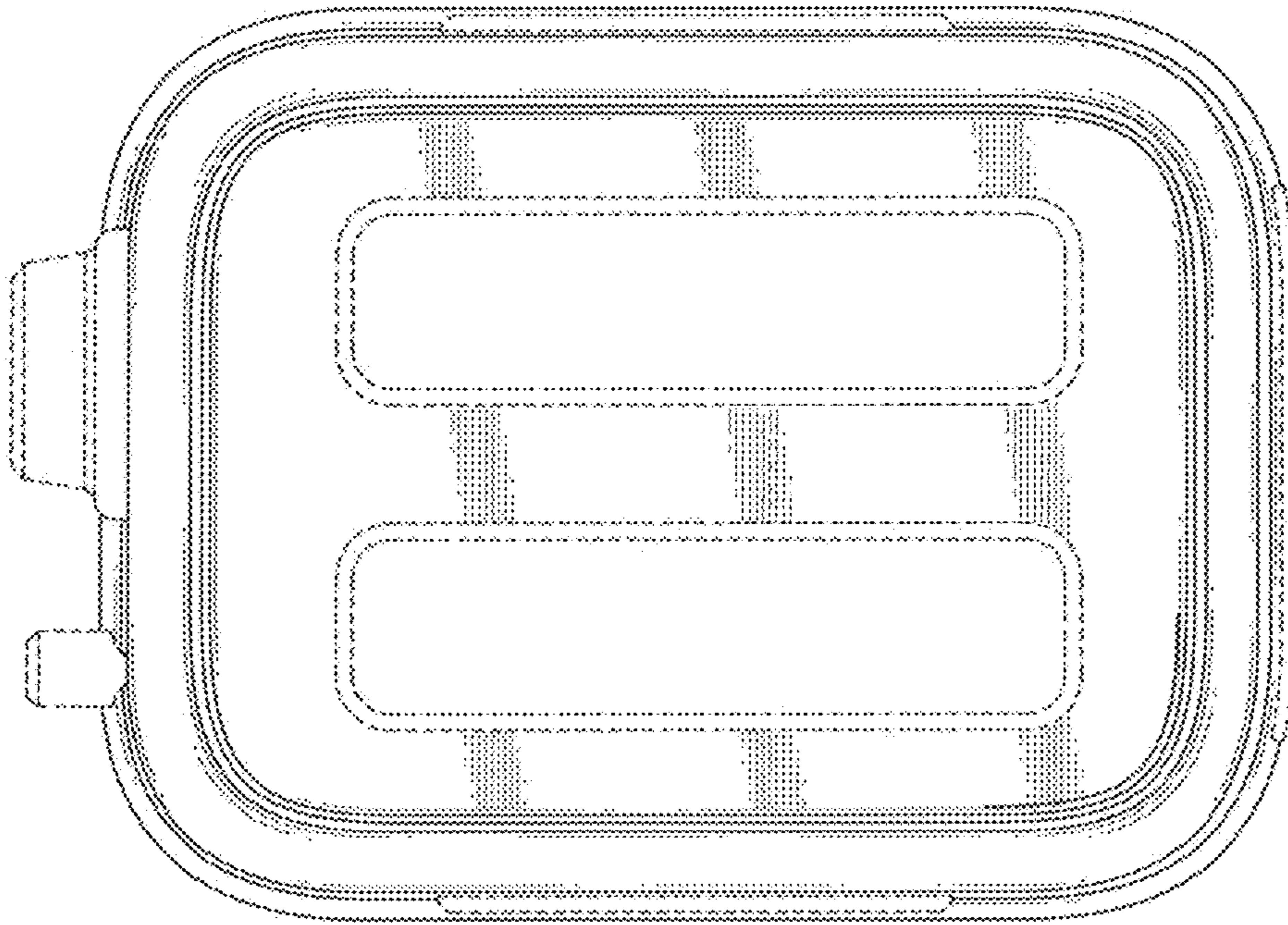


FIG. 7

