

US00D862965S

(12) **United States Design Patent** (10) **Patent No.:** **US D862,965 S**
Gao (45) **Date of Patent:** **** Oct. 15, 2019**

(54) **TEAPOT WITH LID**

(71) Applicant: **Air China Limited**, Beijing (CN)

(72) Inventor: **Chong Gao**, Beijing (CN)

(73) Assignee: **Air China Limited**, Beijing (CN)

(**) Term: **15 Years**

(21) Appl. No.: **29/644,255**

(22) Filed: **Apr. 16, 2018**

(30) **Foreign Application Priority Data**

Oct. 30, 2017 (CN) 2017 3 0523513

(51) **LOC (12) Cl.** **07-01**

(52) **U.S. Cl.**
USPC **D7/318**

(58) **Field of Classification Search**
USPC D7/318, 300, 305, 312, 316, 590, 598,
D7/602, 619.1; D9/738, 743, 516, 544
CPC A47G 19/14; A47J 27/21; B65D 43/02
See application file for complete search history.

(56) **References Cited**

U.S. PATENT DOCUMENTS

D393,174 S * 4/1998 Mork D7/317
RE35,933 E * 10/1998 Schöll B44D 3/12
220/695
D567,567 S * 4/2008 Bodum D7/316
D569,165 S * 5/2008 Stewart D7/316
D679,537 S * 4/2013 Muspratt-Williams D7/317
D689,727 S * 9/2013 Muspratt-Williams D7/317
D726,484 S * 4/2015 Williams D7/316

FOREIGN PATENT DOCUMENTS

CN 302806559 S 4/2014
TW D178545 10/2016

OTHER PUBLICATIONS

TW Application 107302264, Official Communication (3 pages) and text Translation (1 page).

* cited by examiner

Primary Examiner — Derrick E Holland

Assistant Examiner — Andrew Kerr

(74) *Attorney, Agent, or Firm* — William C. Schrot;
AuerbachSchrot LLC

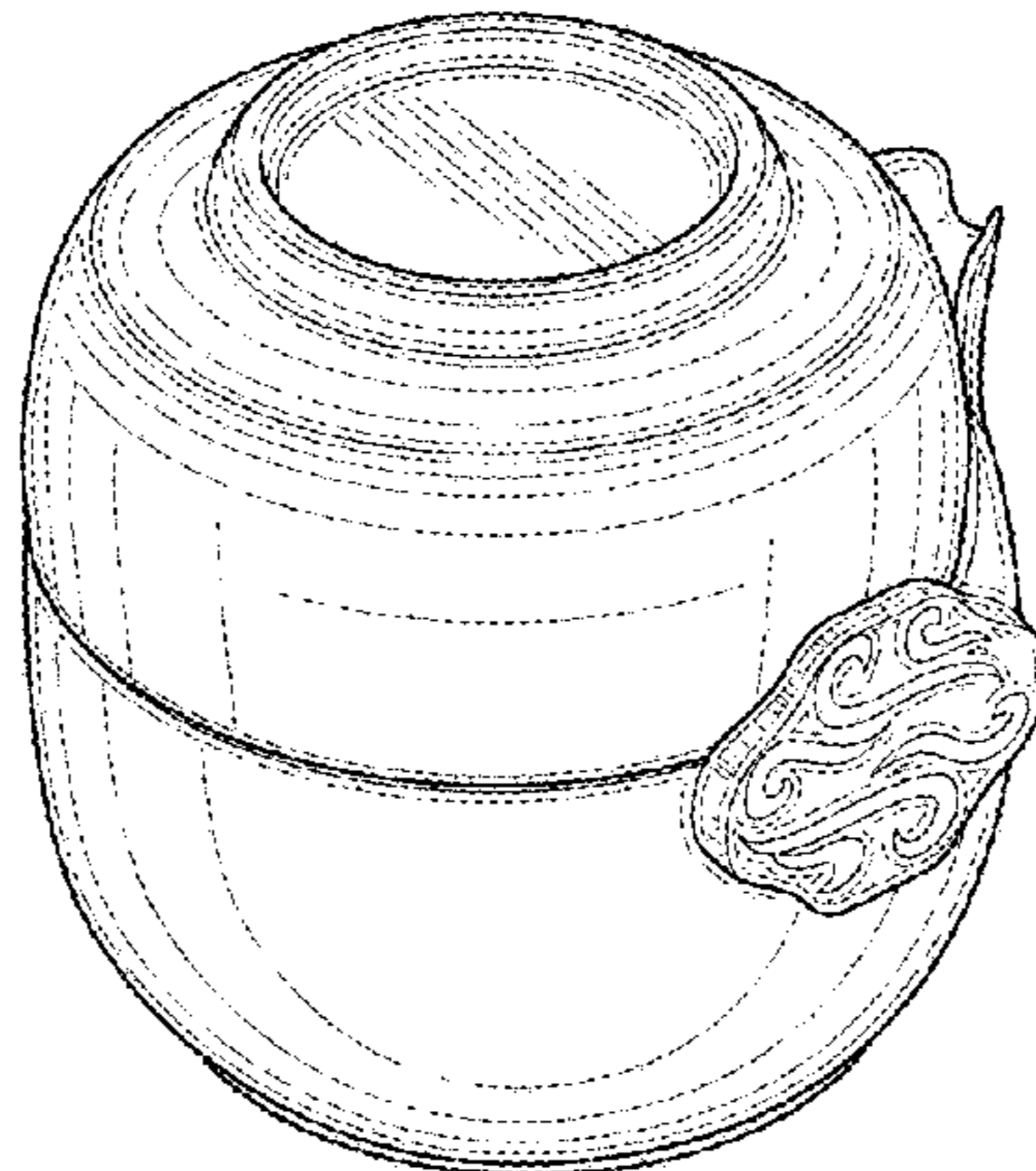
(57) **CLAIM**

The ornamental design for a teapot with lid, as shown and described.

DESCRIPTION

FIG. 1 is a perspective view of a teapot with lid according to the invention;
FIG. 2 is a perspective view of the teapot with lid shown with the lid removed for ease of illustration;
FIG. 3 is a front view thereof;
FIG. 4 is a rear view thereof;
FIG. 5 is a left side view thereof;
FIG. 6 is a right side view thereof;
FIG. 7 is a top view thereof;
FIG. 8 is a bottom view thereof;
FIG. 9 is a perspective view of the lid shown in FIG. 1 removed from the teapot for ease of illustration;
FIG. 10 is a front view thereof;
FIG. 11 is a rear view thereof;
FIG. 12 is a left side view thereof;
FIG. 13 is a right side view thereof;
FIG. 14 is a top view thereof; and,
FIG. 15 is a bottom view thereof.
The broken lines shown in FIG. 8 are for the purpose of illustrating portions of the teapot with lid that form no part of the claimed design.

1 Claim, 7 Drawing Sheets



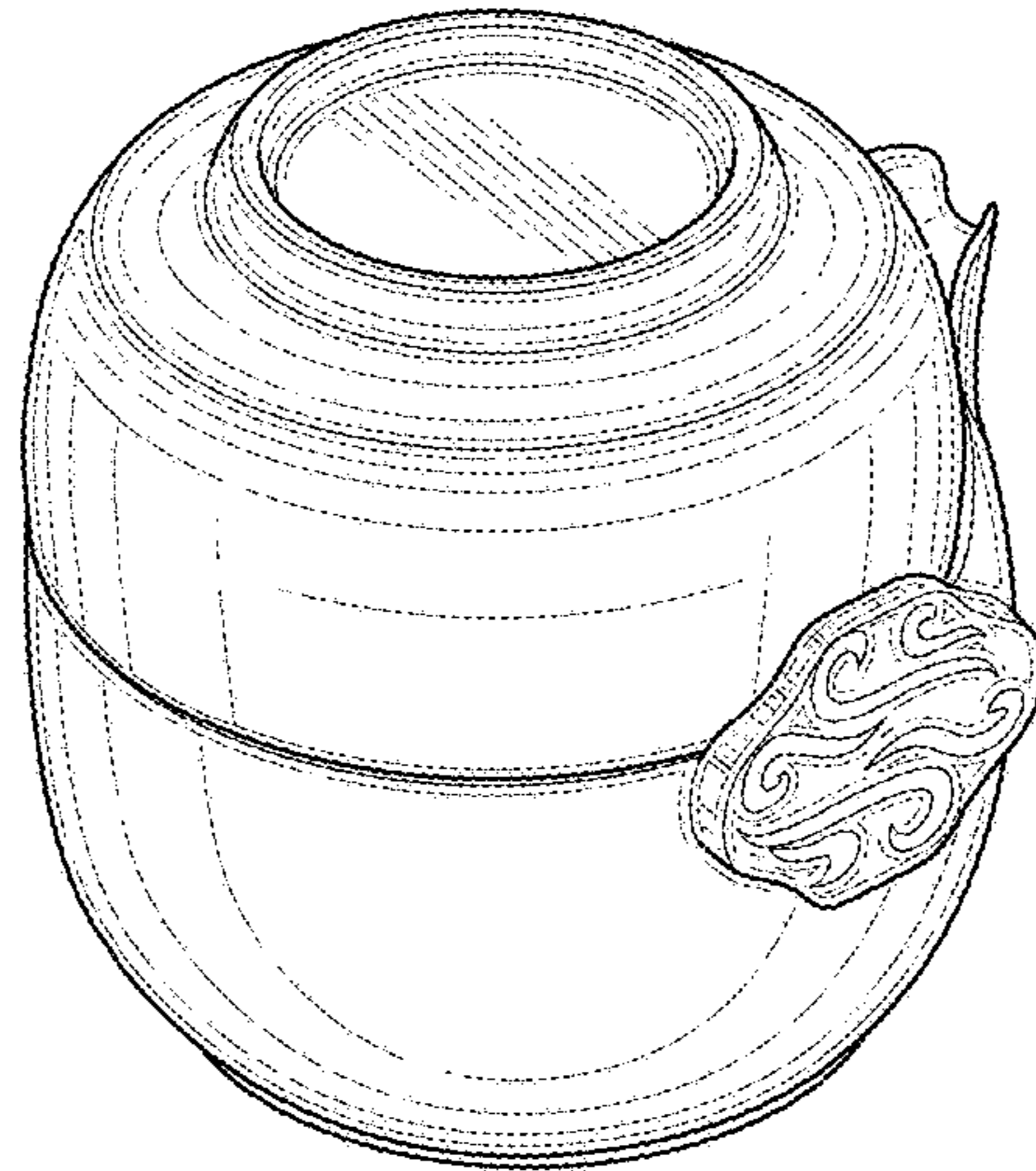


FIG. 1

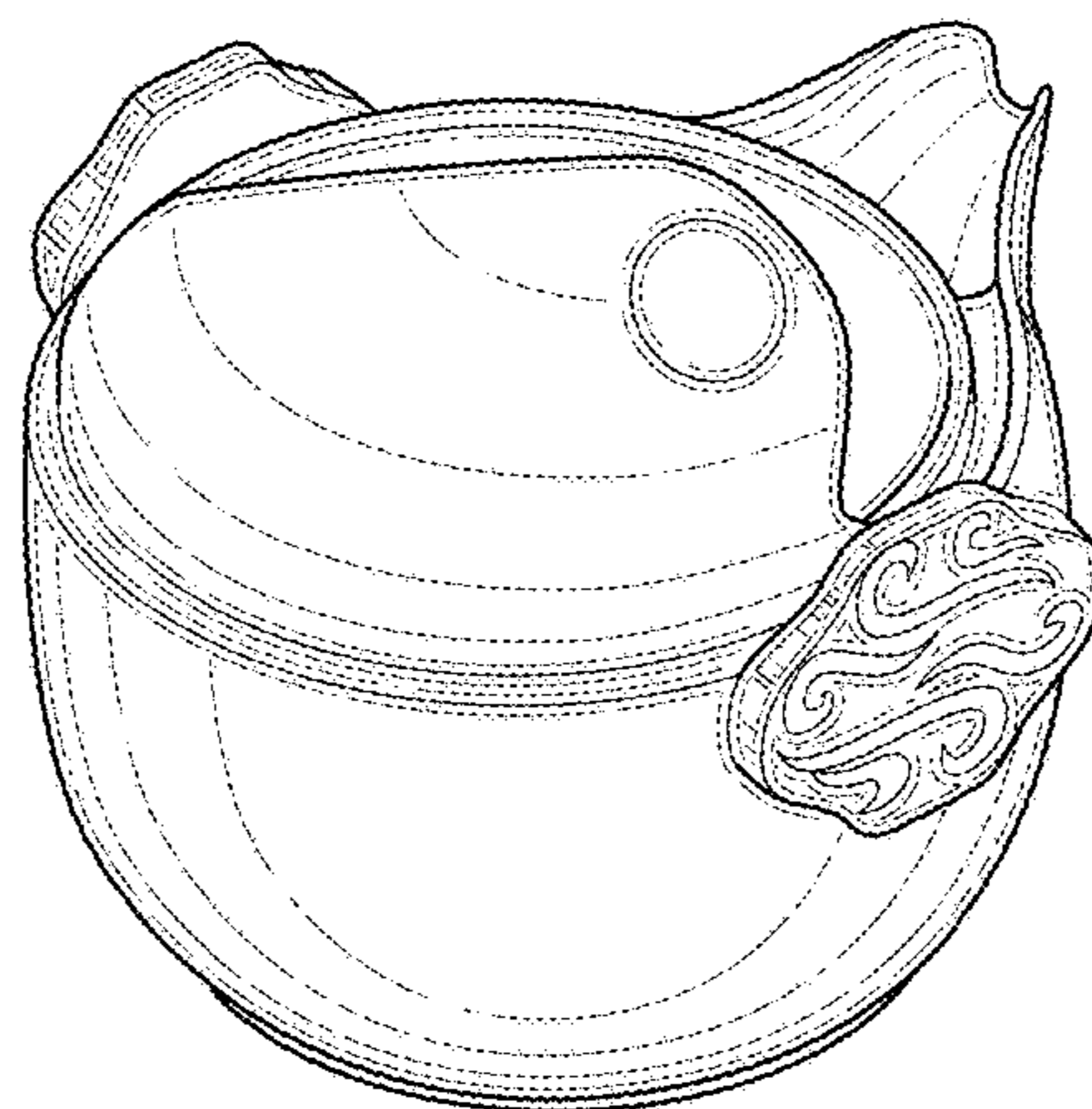


FIG. 2

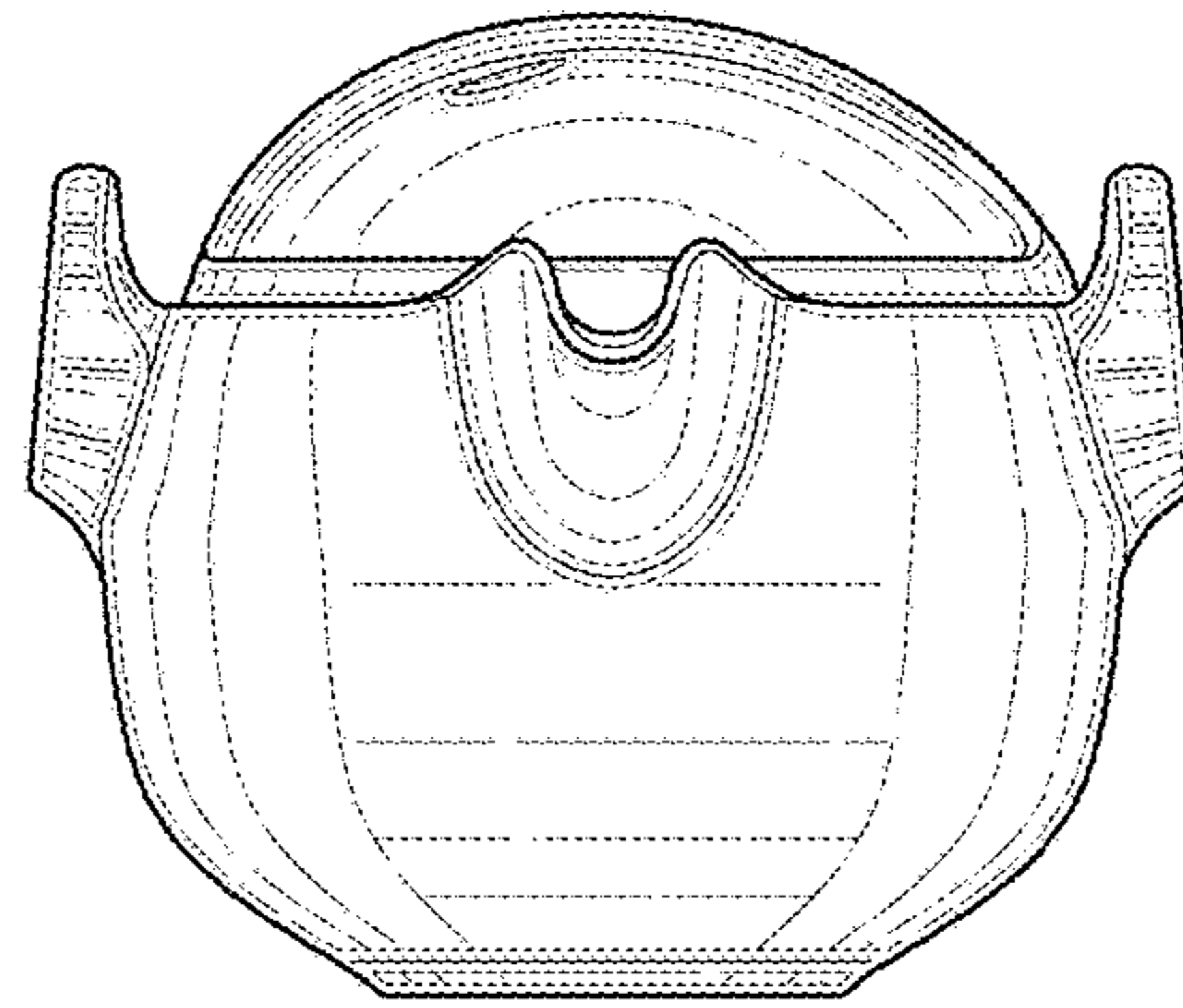


FIG. 3

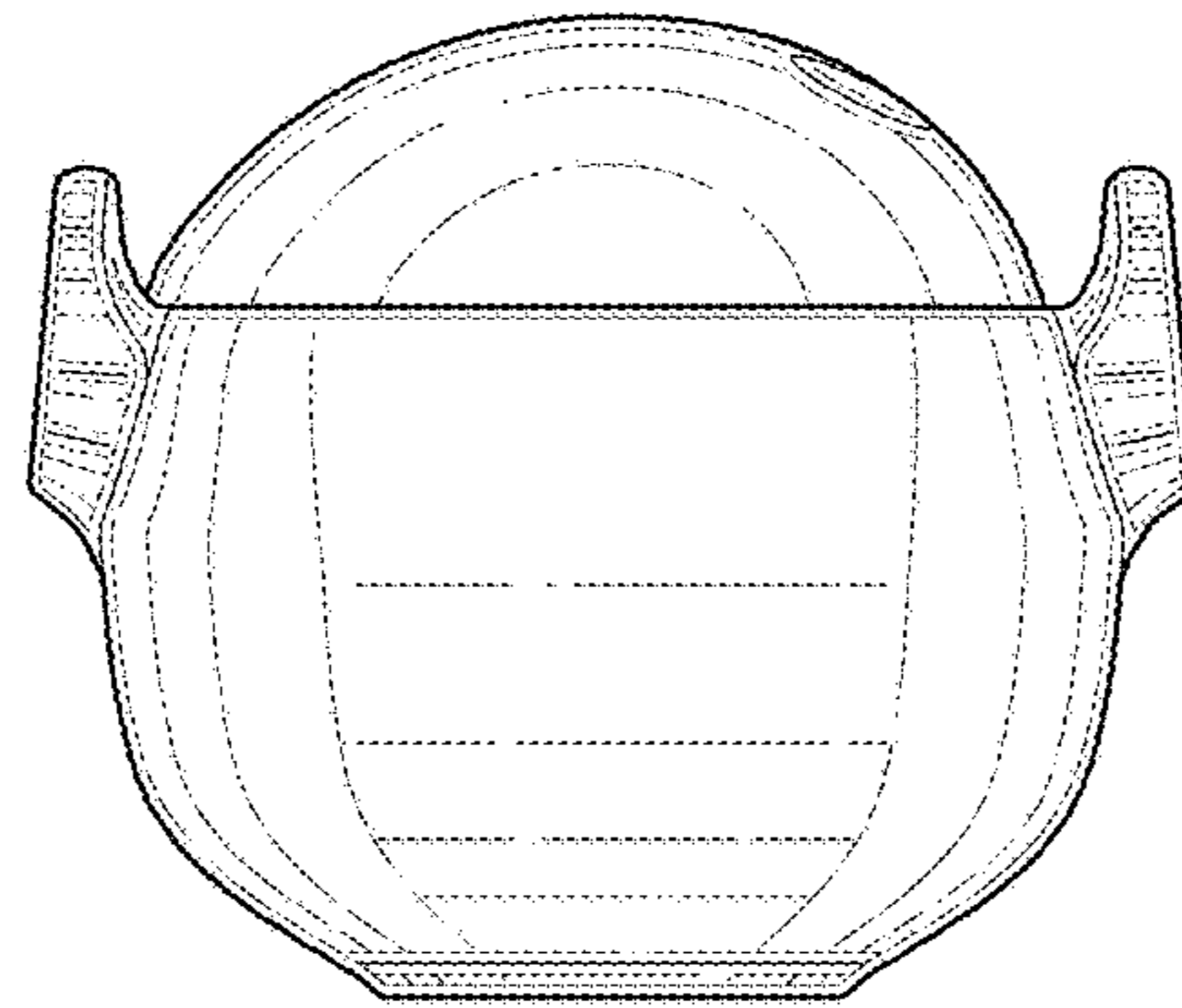


FIG. 4

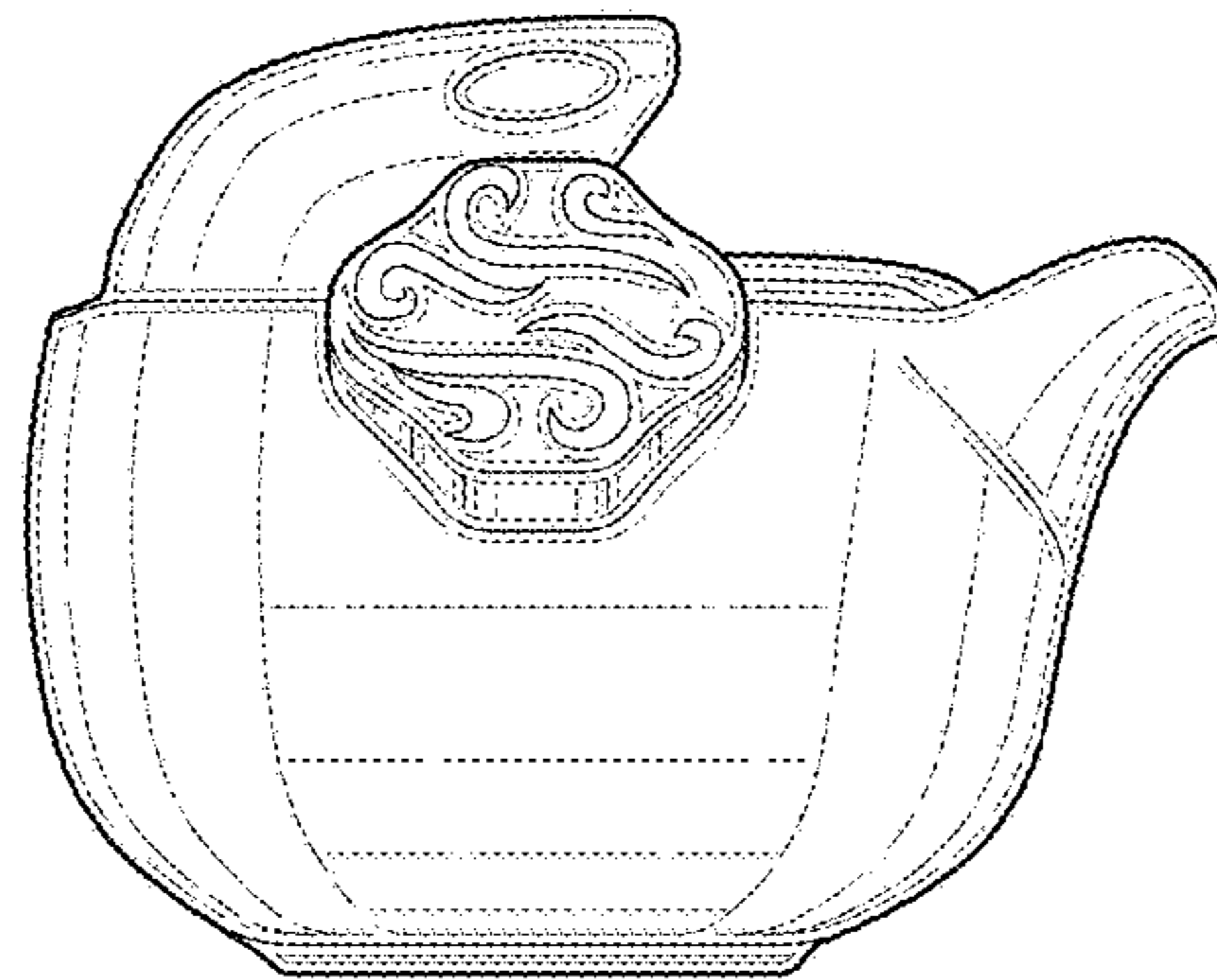


FIG. 5

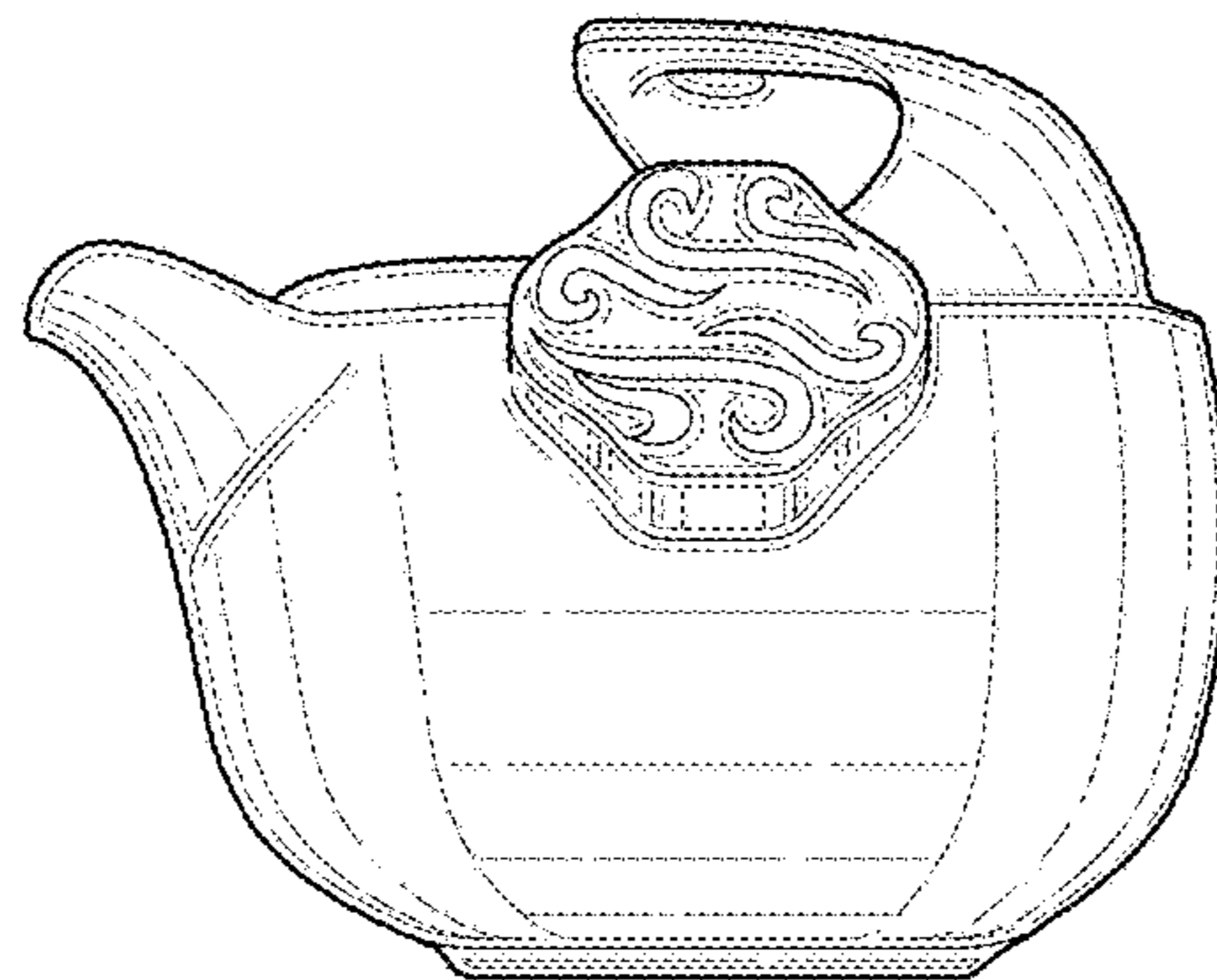


FIG. 6

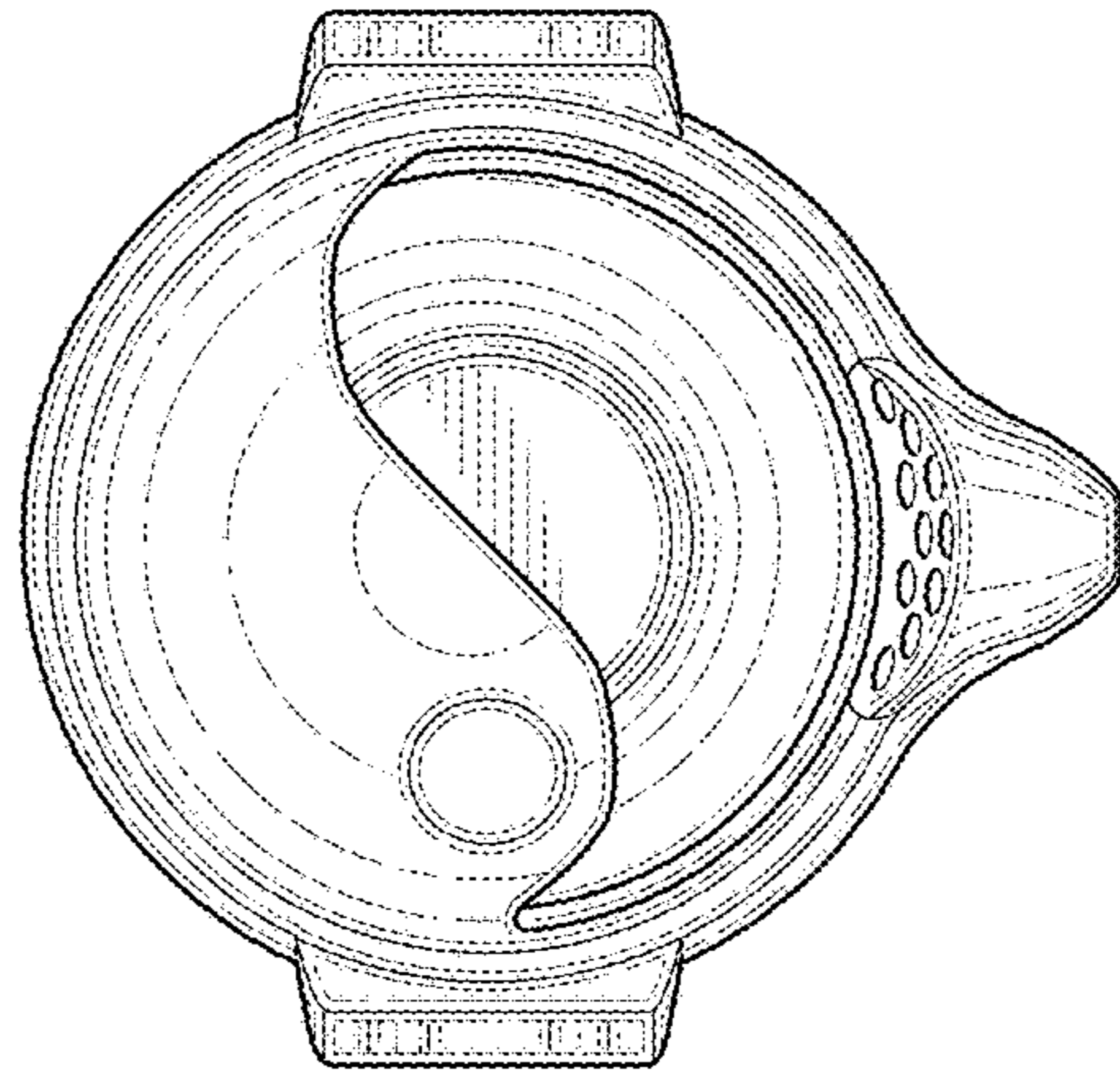


FIG. 7

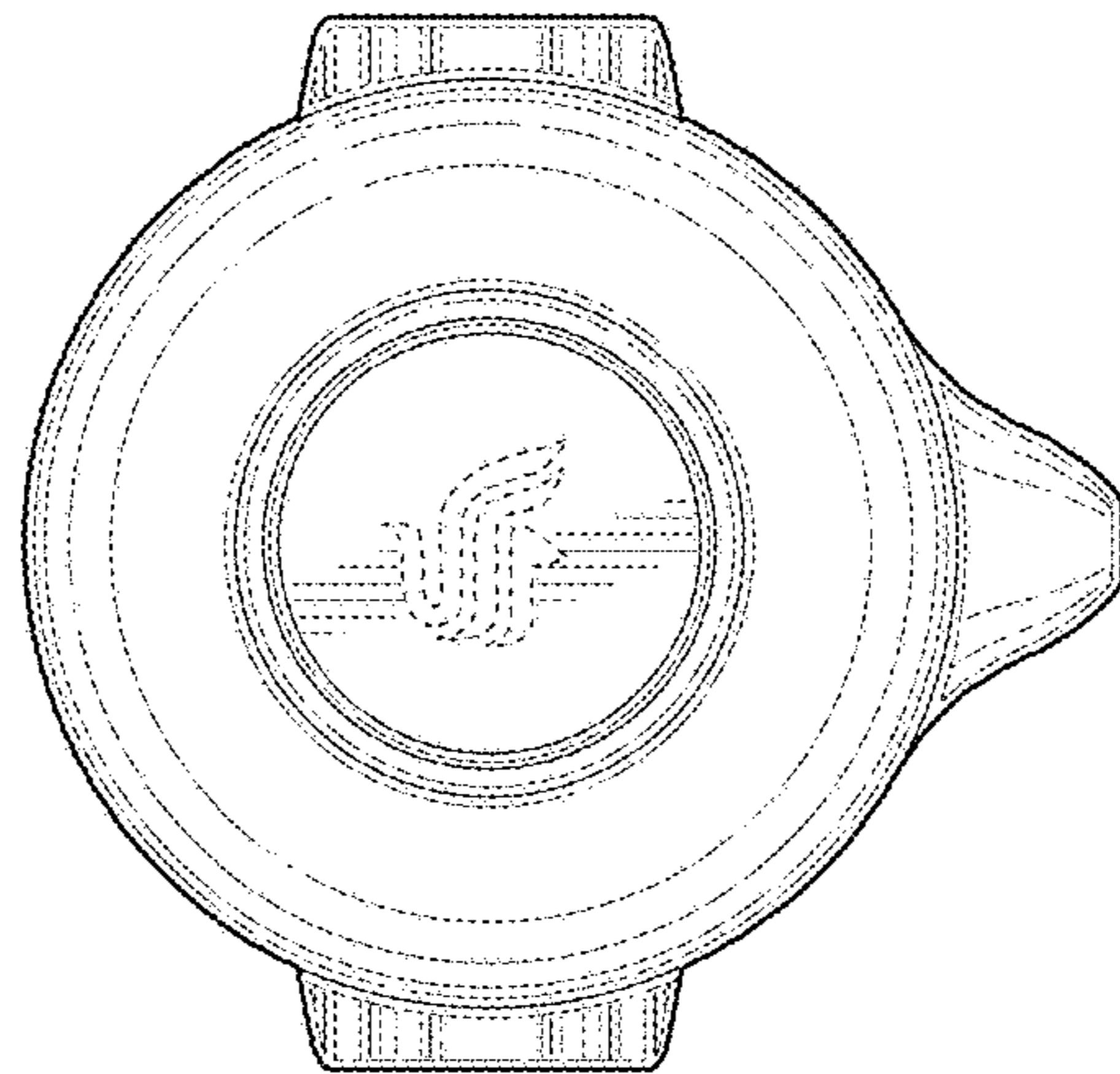


FIG. 8

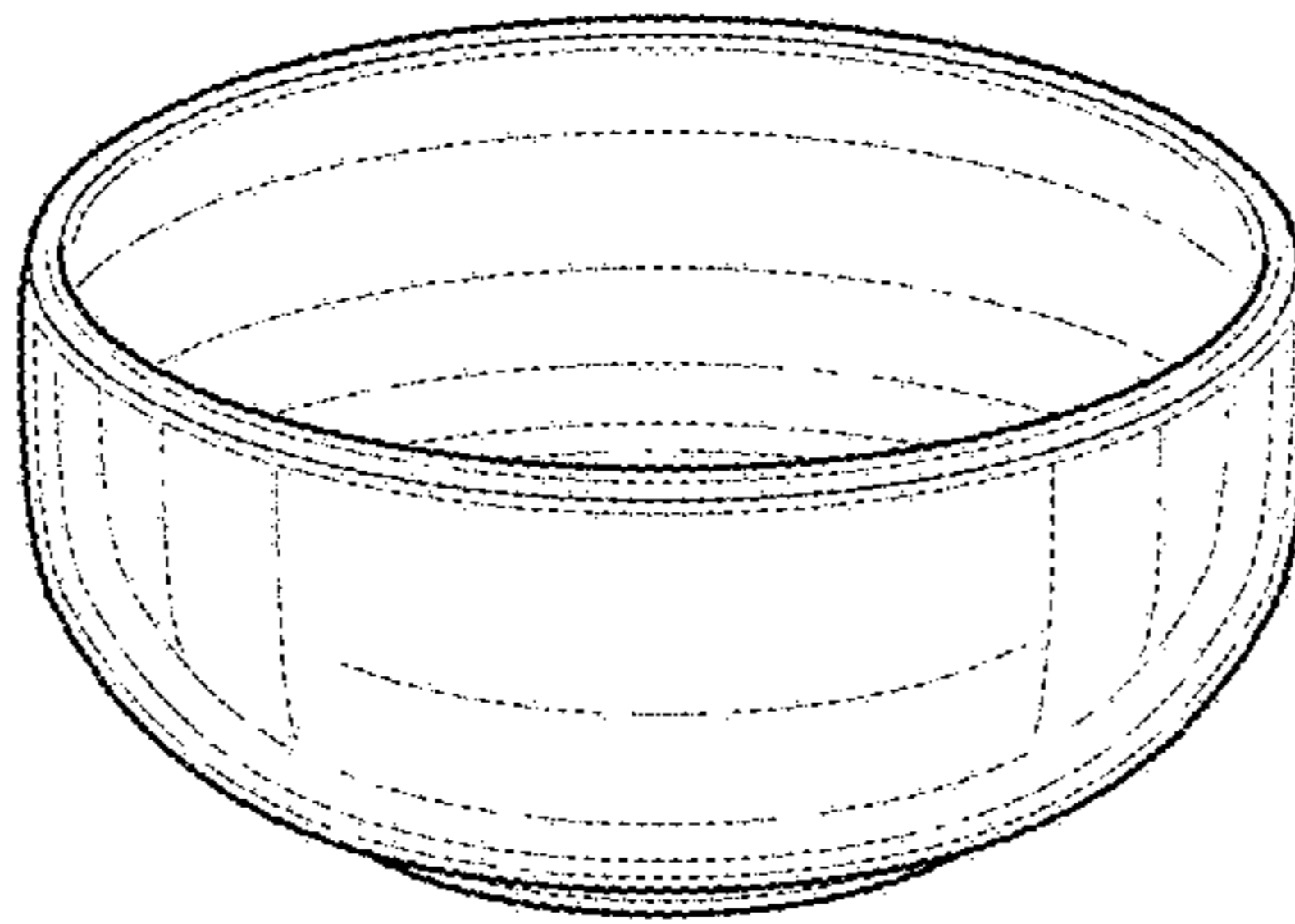


FIG. 9

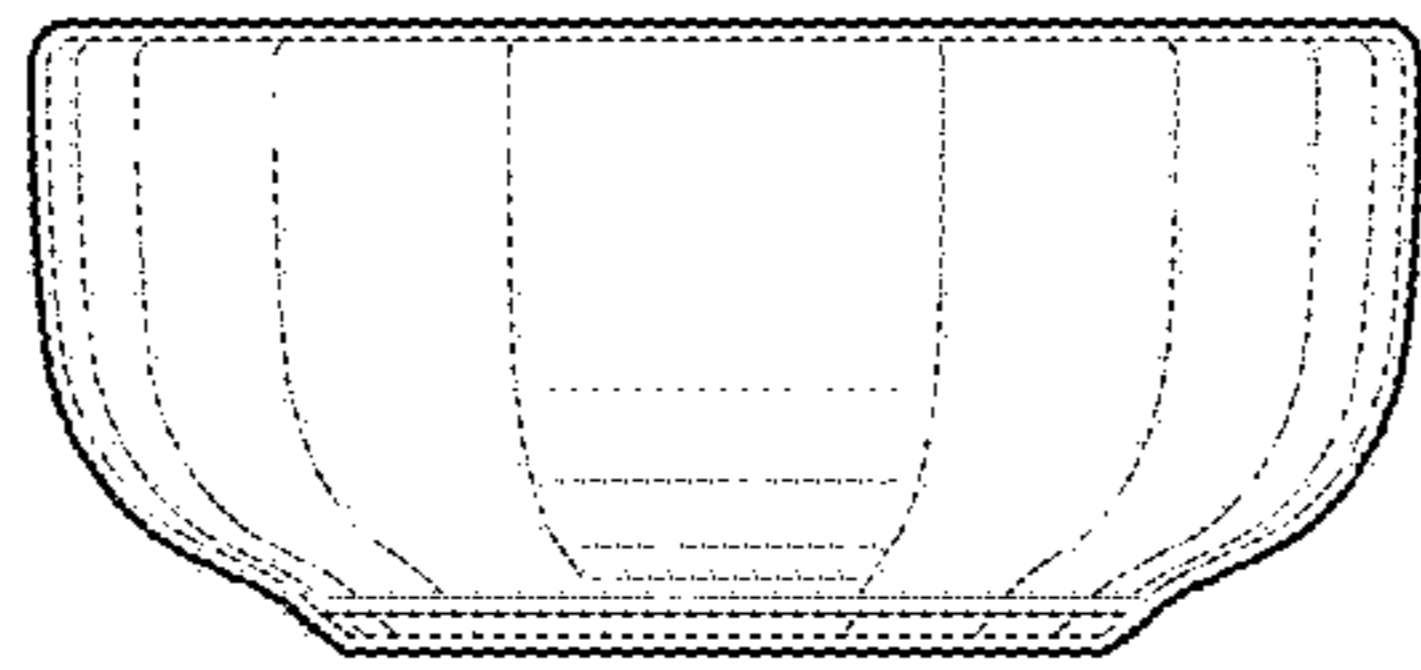


FIG. 10

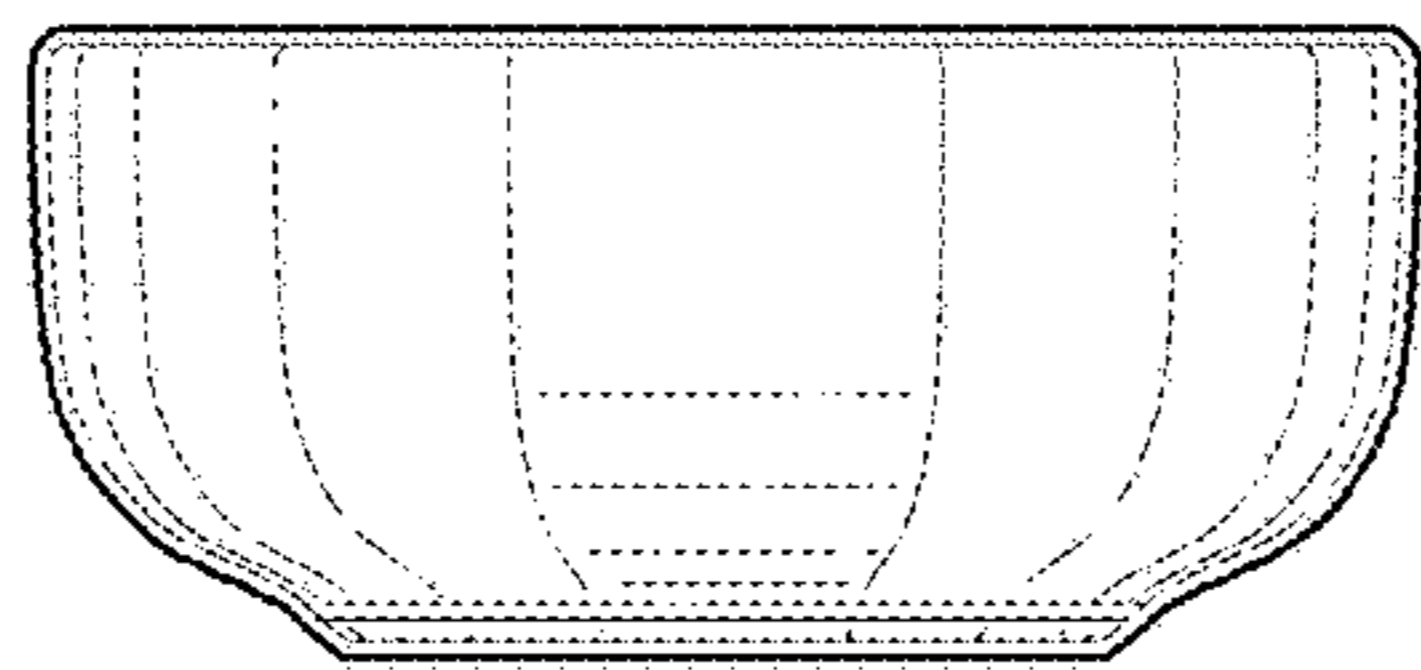


FIG. 11

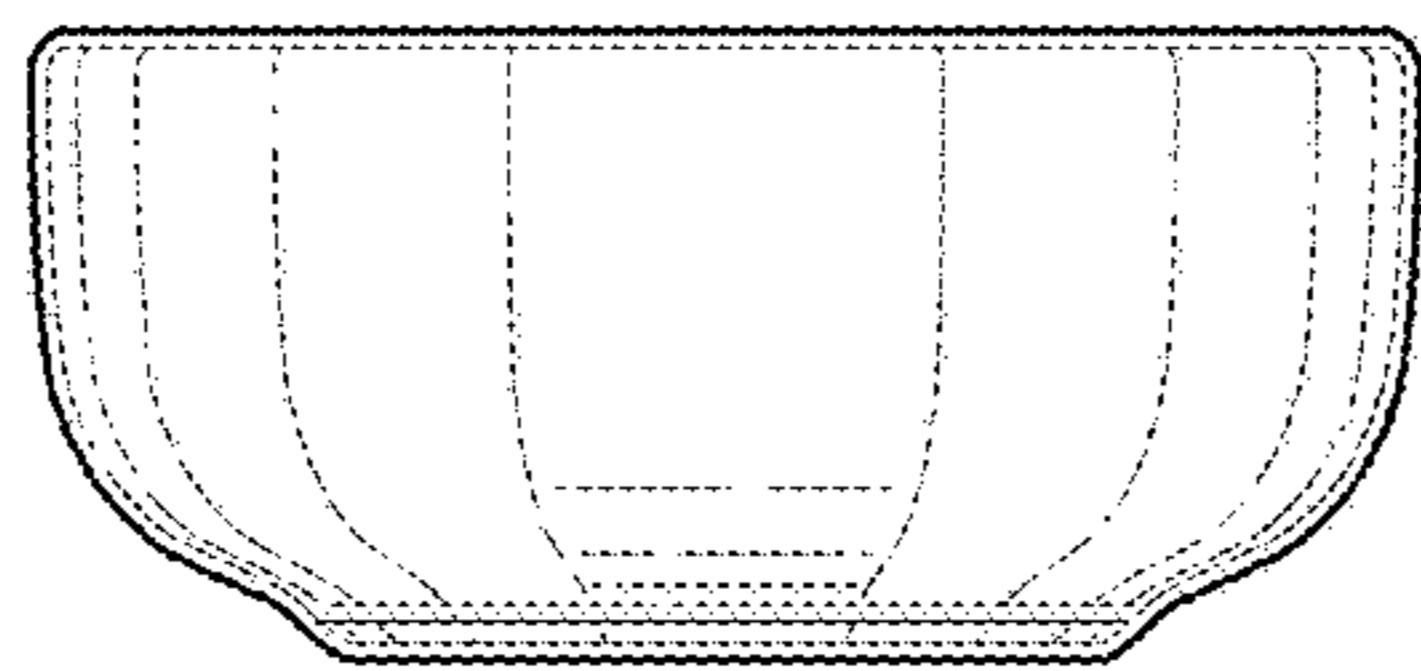


FIG. 12

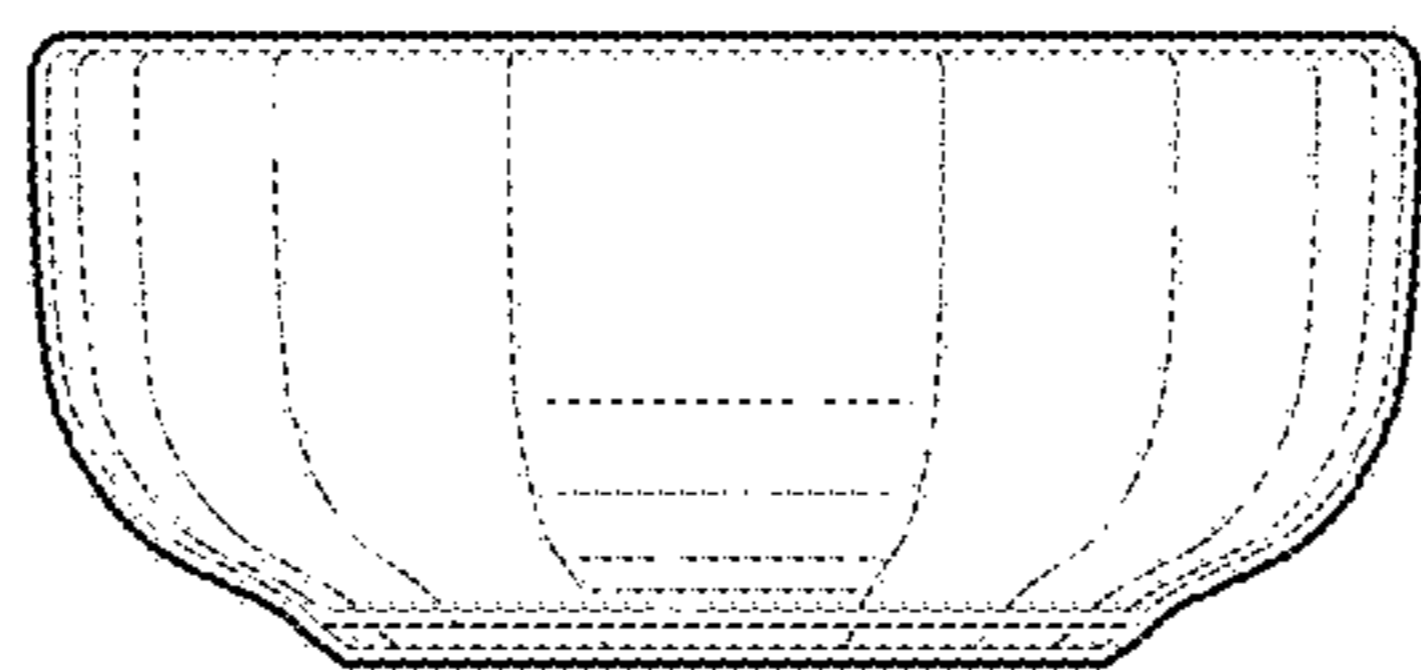


FIG. 13

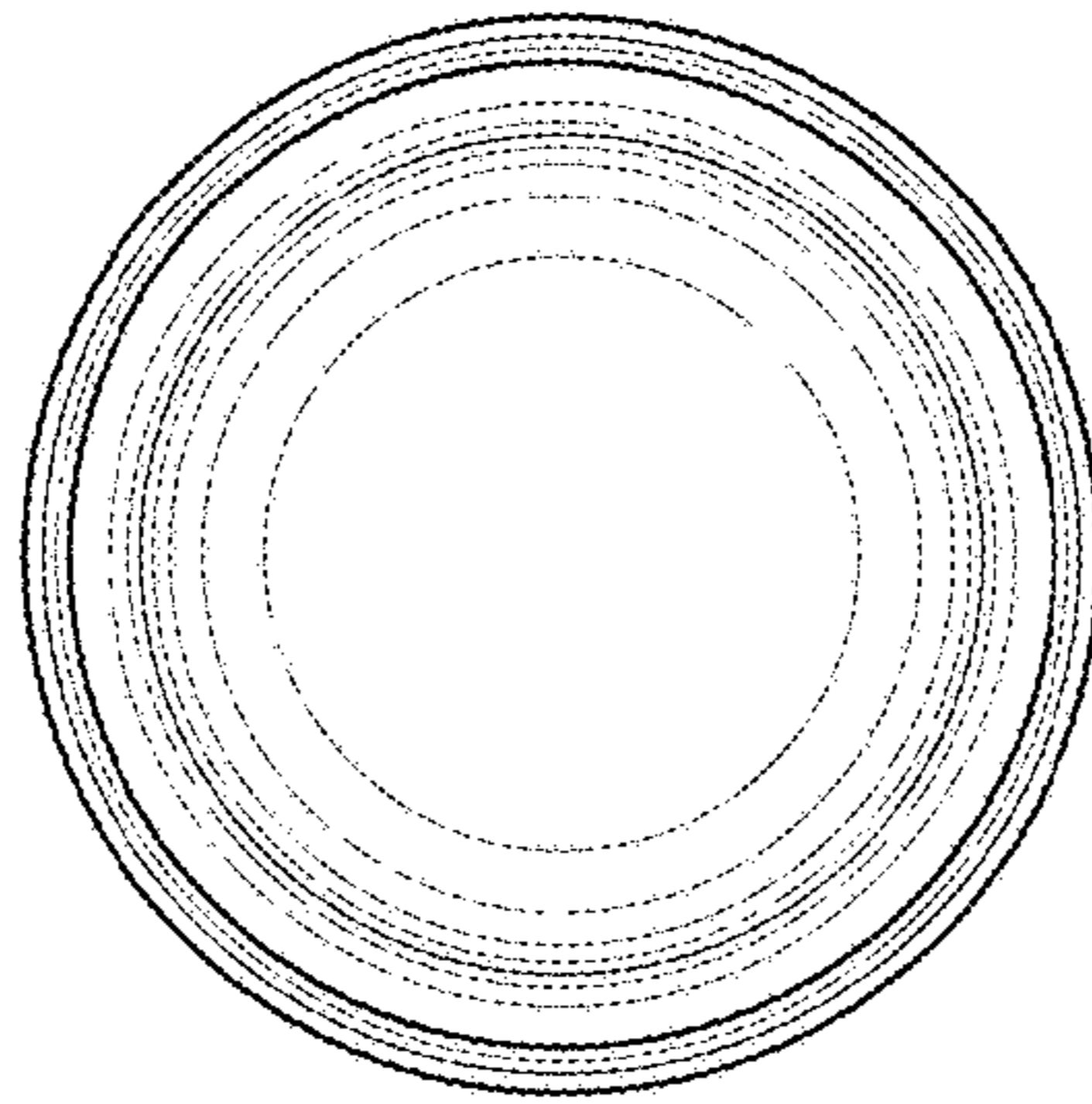


FIG. 14

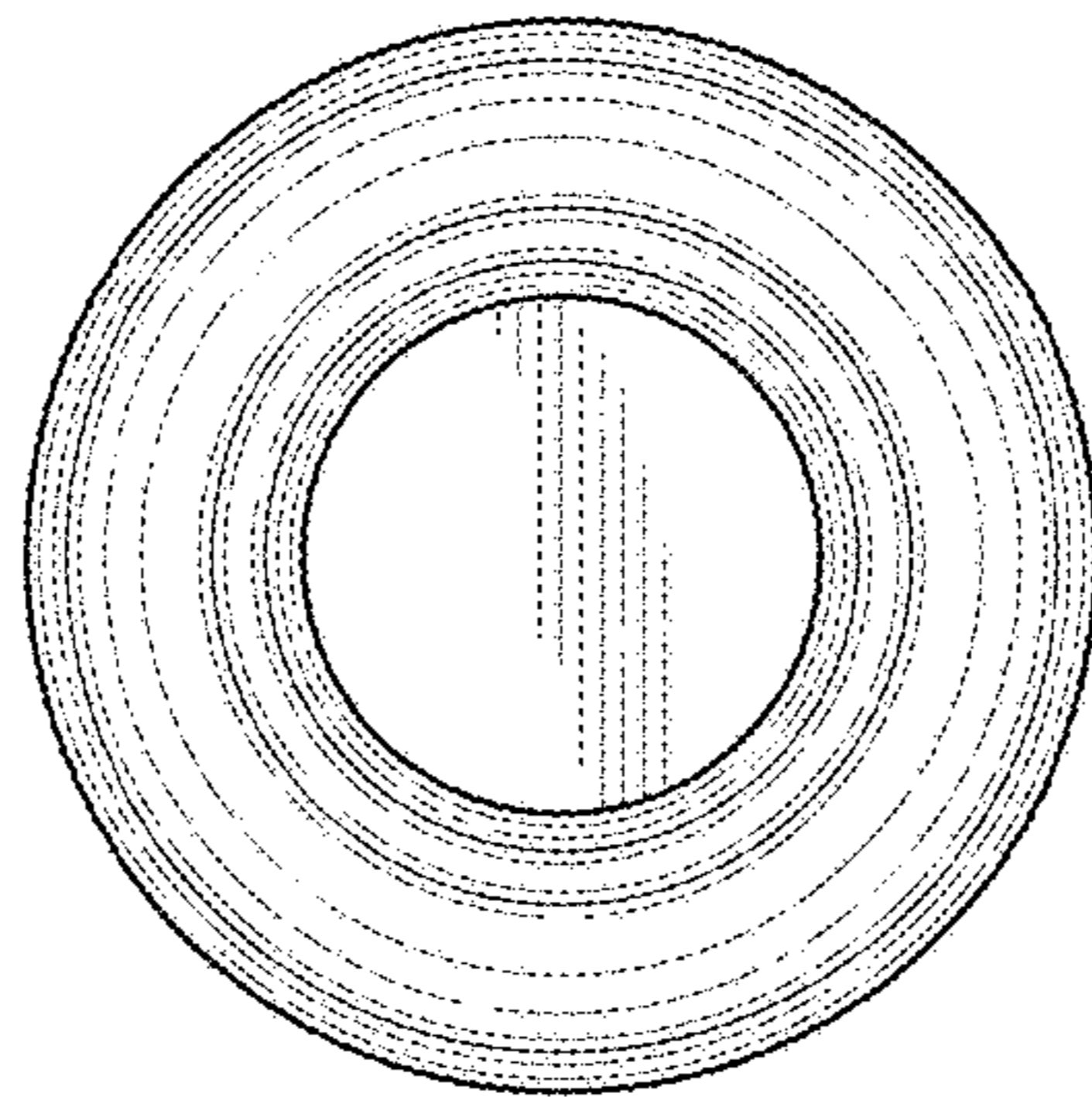


FIG. 15