



US00D862964S

(12) **United States Design Patent**  
**Tokoi**

(10) **Patent No.:** **US D862,964 S**

(45) **Date of Patent:** **\*\* Oct. 15, 2019**

(54) **ELECTRIC KETTLE**

D752,911 S \* 4/2016 Bazzicalupo ..... D7/317  
D827,355 S \* 9/2018 Powell ..... D7/318  
D829,034 S \* 9/2018 Barquin ..... D7/318

(71) Applicant: **IRIS OHYAMA INC.**, Sendai-shi,  
Miyagi (JP)

(72) Inventor: **Shohei Tokoi**, Kakuda (JP)

(73) Assignee: **IRIS OHYAMA INC.**, Sendai-shi (JP)

(\*\*) Term: **15 Years**

(21) Appl. No.: **29/643,203**

(22) Filed: **Apr. 5, 2018**

(30) **Foreign Application Priority Data**

Oct. 27, 2017 (JP) ..... 2017-023994

(51) **LOC (12) Cl.** ..... **07-01**

(52) **U.S. Cl.**  
USPC ..... **D7/318**

(58) **Field of Classification Search**

USPC ..... D7/300, 305, 306, 312, 316-319, 322,  
D7/598, 600; D9/544, 545

CPC ..... A47J 127/21; A47J 127/21008; A47J  
127/21041; A47G 19/12; A47G 19/14

See application file for complete search history.

(56) **References Cited**

**U.S. PATENT DOCUMENTS**

D307,695 S \* 5/1990 Cesaroni ..... D7/321  
D494,803 S \* 8/2004 Bodum ..... D7/317  
D620,303 S \* 7/2010 Mondragon ..... D7/317  
D633,324 S \* 3/2011 Mondragon ..... D7/317  
D709,724 S \* 7/2014 Mander ..... D7/317  
D747,130 S \* 1/2016 Kunz ..... D7/317

**OTHER PUBLICATIONS**

Electric Kettle ricopa | posted at Amazon.com, posted on Jun. 12, 2018, © 1996-2018 Amazon.com, [online], [site visited Feb. 8, 2019]. Available from Internet, <URL: <https://www.amazon.com/IRIS-OHYAMA-Electric-IKE-R800-C-Products%E3%80%91%E3%80%90Ships/dp/B079SB4B39>> (Year: 2018).\*

\* cited by examiner

*Primary Examiner* — Derrick E Holland

*Assistant Examiner* — Andrew Kerr

(74) *Attorney, Agent, or Firm* — Studebaker & Brackett  
PC

(57) **CLAIM**

The ornamental design for an electric kettle, as shown and described.

**DESCRIPTION**

FIG. 1 is a front, top and right-side perspective view of an electric kettle showing my new design;  
FIG. 2 is a front view thereof;  
FIG. 3 is a rear view thereof;  
FIG. 4 is a top view thereof;  
FIG. 5 is a bottom view thereof;  
FIG. 6 is a right-side view thereof;  
FIG. 7 is a left-side view thereof; and,  
FIG. 8 is a rear, top and left-side perspective view thereof. The broken lines depict portions of an electric kettle in which the design is embodied and form no part of the claimed design.

**1 Claim, 8 Drawing Sheets**

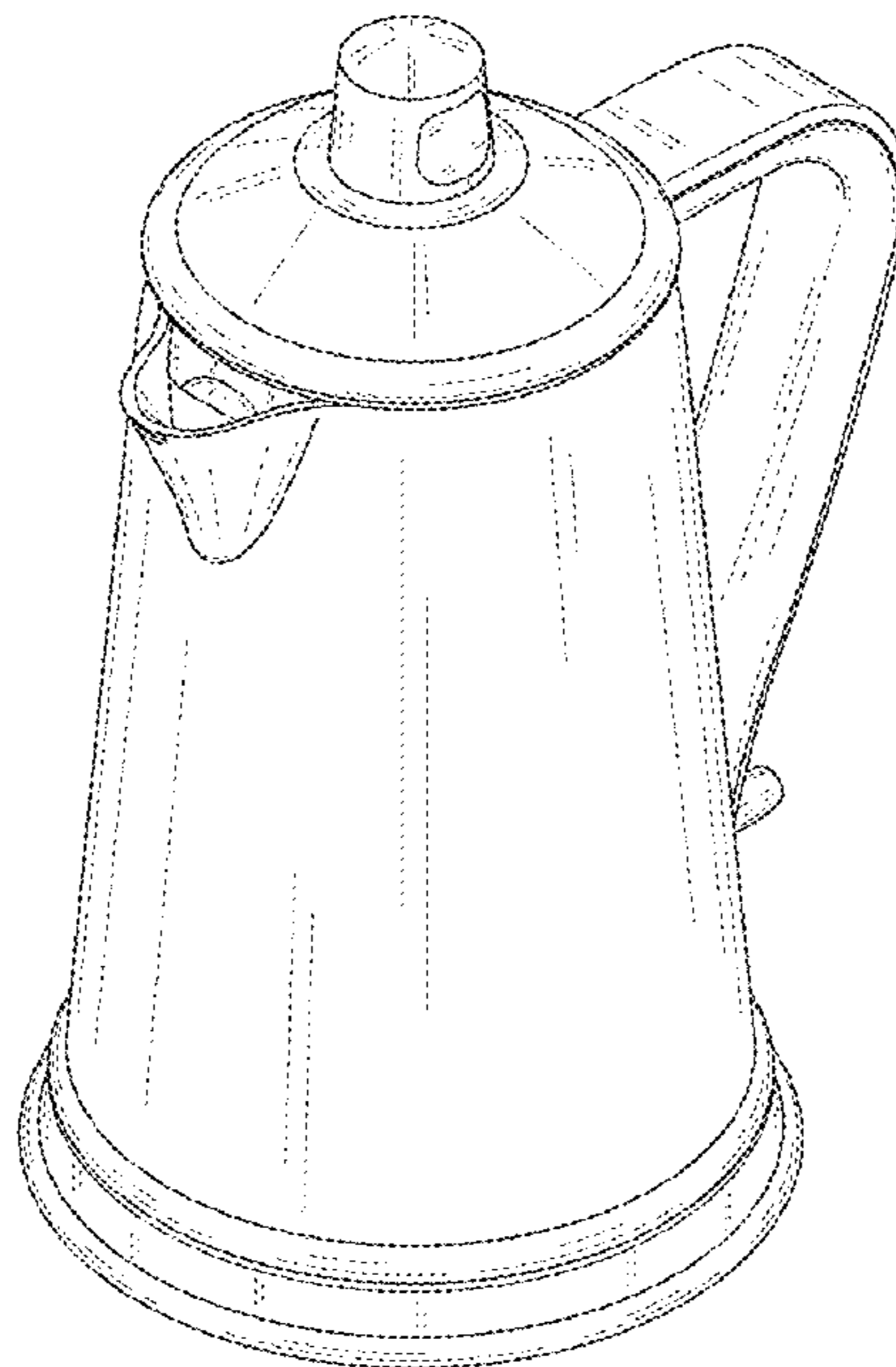


FIG. 1

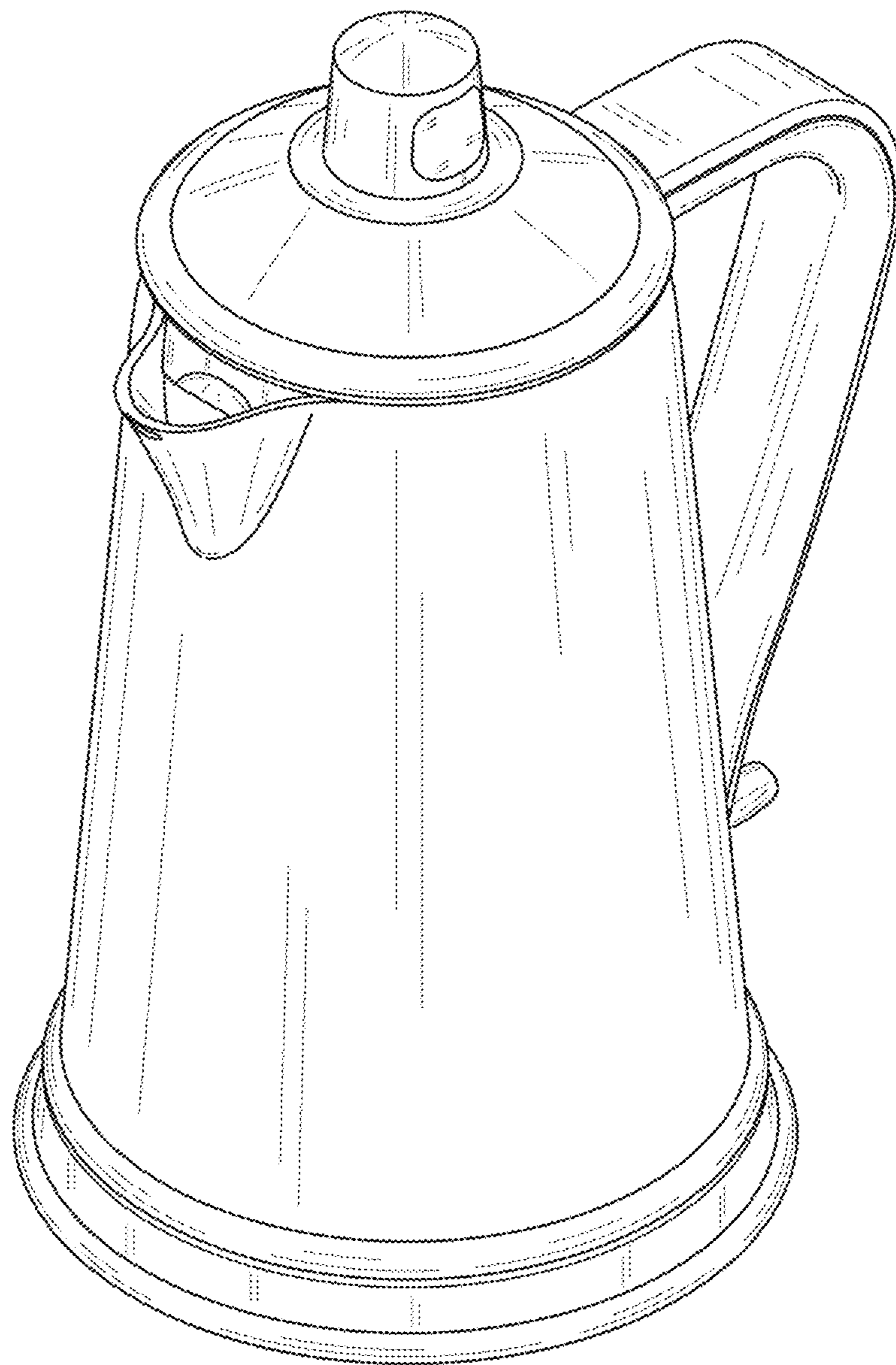


FIG. 2

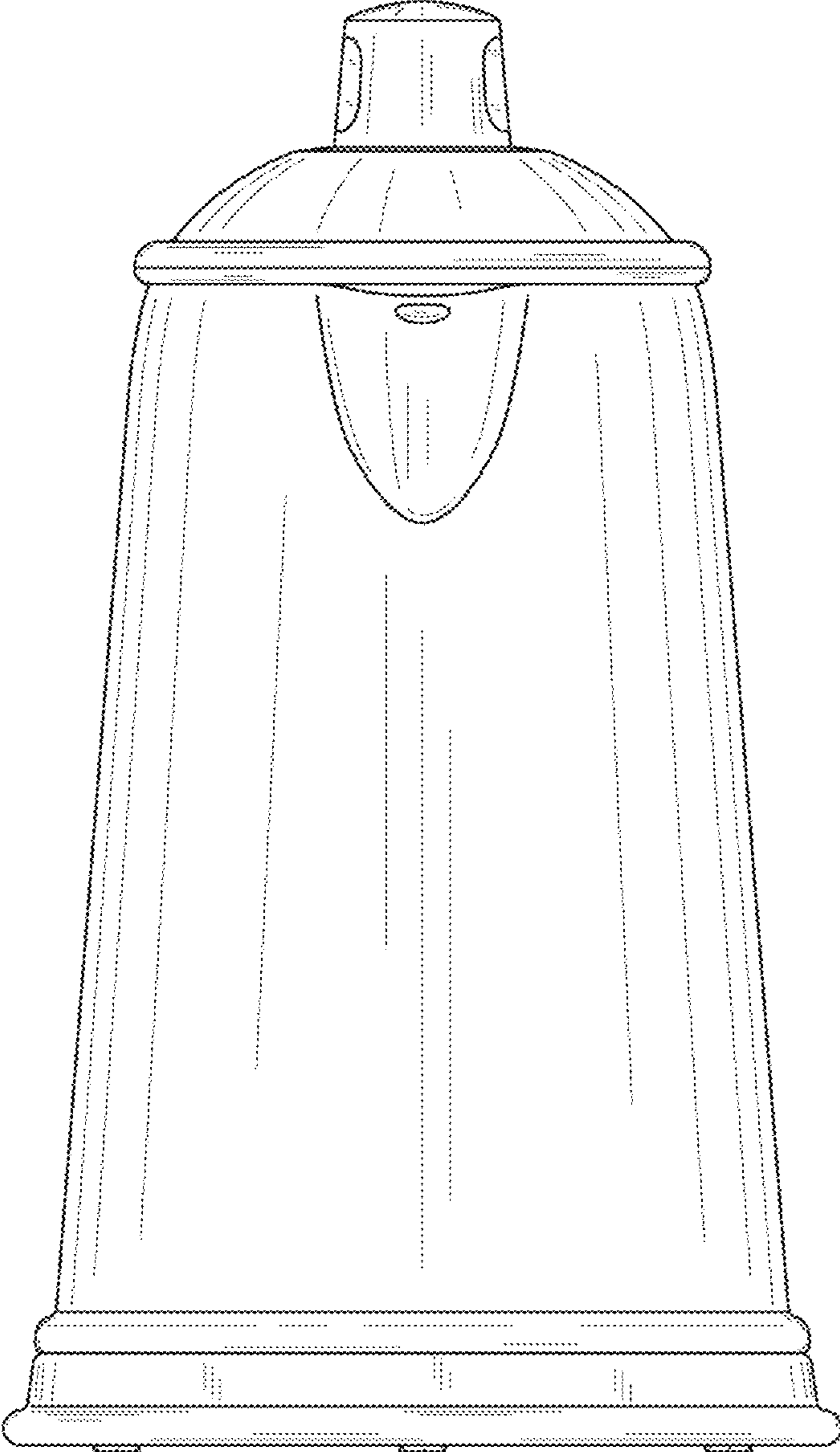


FIG. 3

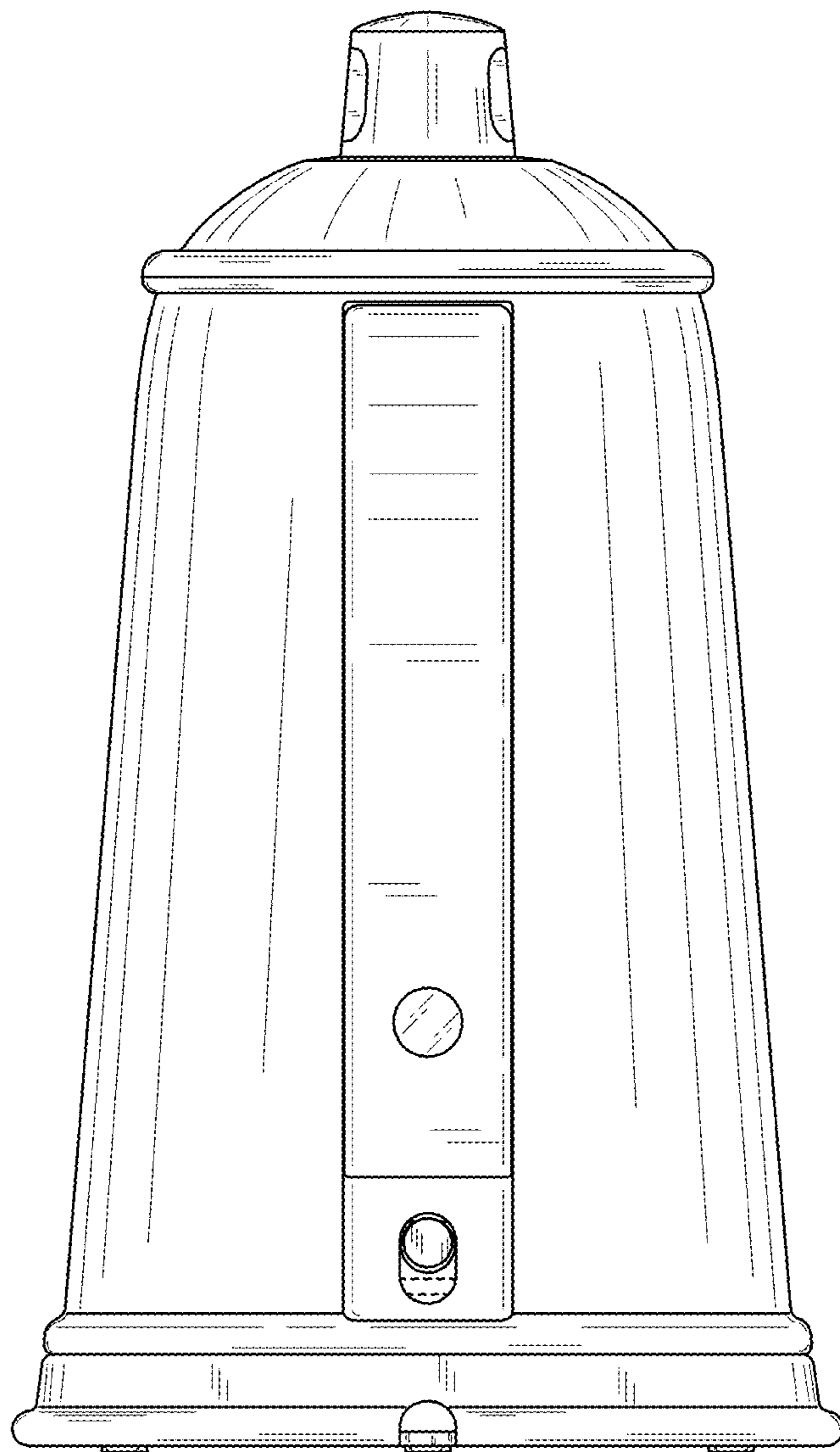


FIG. 4

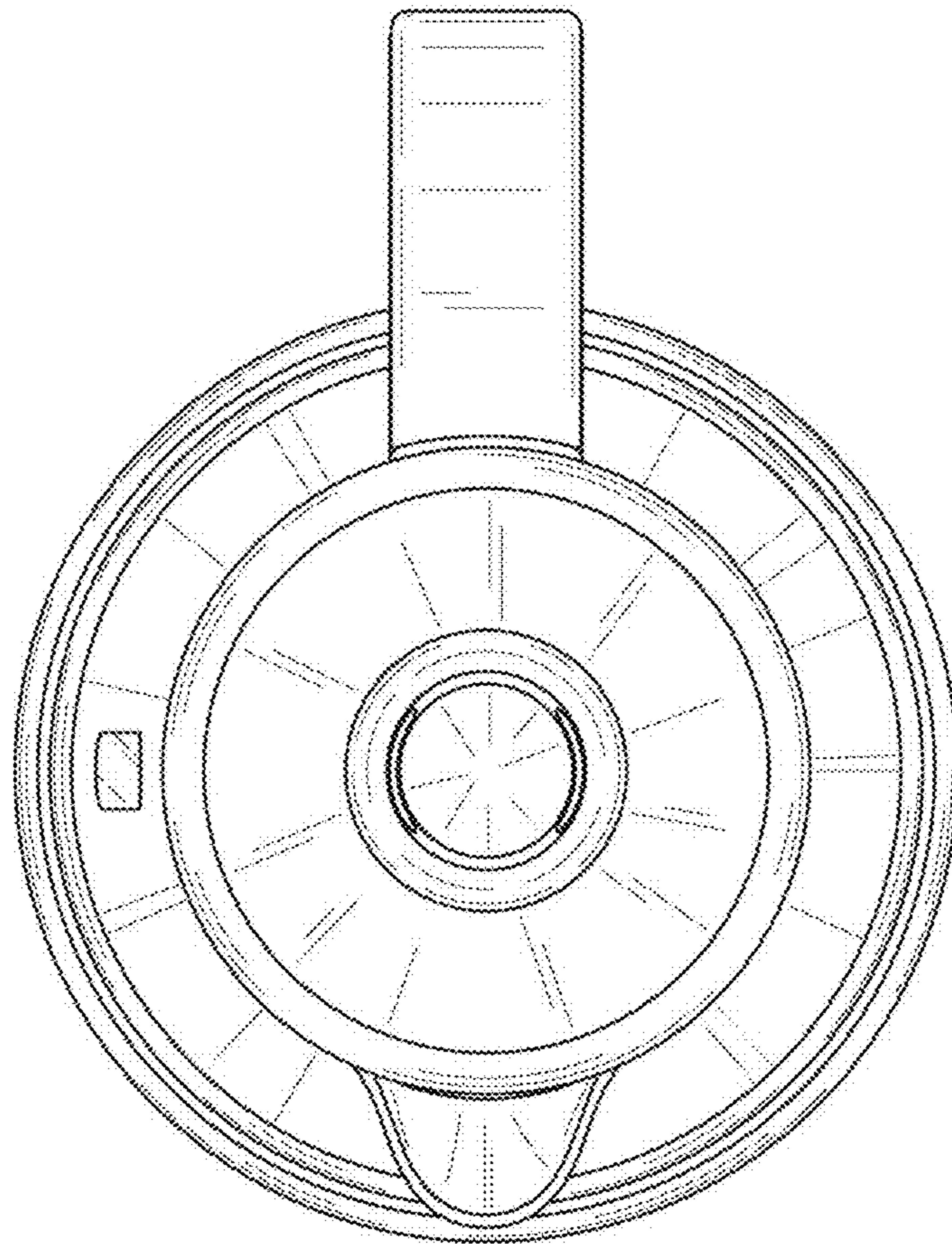


FIG. 5

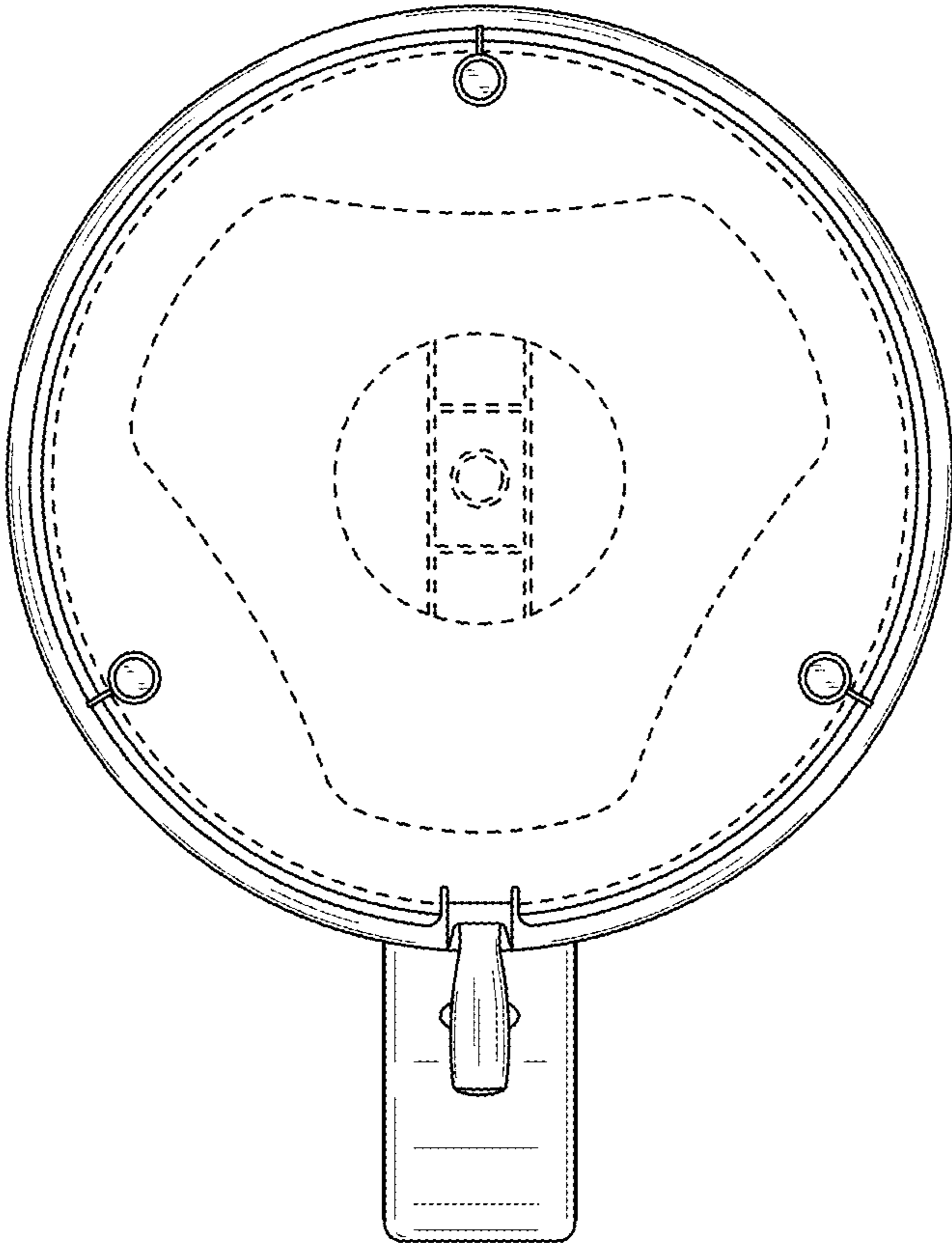


FIG. 6



FIG. 7





FIG. 8

