



US00D862963S

(12) **United States Design Patent** (10) **Patent No.:** **US D862,963 S**
Lee et al. (45) **Date of Patent:** **** Oct. 15, 2019**

(54) **COFFEE MAKER AND CARAFE**

(56) **References Cited**

(71) Applicants: **Edward Lee**, Brooklyn, NY (US);
Christopher Diskin, New York, NY (US)

(72) Inventors: **Edward Lee**, Brooklyn, NY (US);
Christopher Diskin, New York, NY (US)

(73) Assignee: **HELEN OF TROY LIMITED**, St. Michael (BB)

(**) Term: **15 Years**

(21) Appl. No.: **29/635,867**

(22) Filed: **Feb. 3, 2018**

(51) **LOC (12) Cl.** **07-01**

(52) **U.S. Cl.**
USPC **D7/310; D7/309; D7/311**

(58) **Field of Classification Search**
USPC D7/300, 306-308, 309-311, 305, 397, D7/355, 362, 365, 367, 399; 222/146.6, 222/185.1, 135; 99/295, 273, 304, 288, 99/279, 307, 283
CPC A47J 31/02; A47J 31/407; A47J 31/50; A47J 31/18; A47J 31/061; A47J 27/04; A47J 31/0573; A47J 31/52; B67D 1/0036
See application file for complete search history.

U.S. PATENT DOCUMENTS

D454,023 S *	3/2002	Wang	D7/309
D489,217 S *	5/2004	Seum	D7/309
D511,066 S *	11/2005	Garner	D7/309
D541,097 S *	4/2007	Leverrier	D7/300
D575,571 S *	8/2008	Hammad	D7/300
D628,007 S *	11/2010	Di Bitonto	D7/309
D669,154 S *	10/2012	Choi	D23/207
D788,510 S *	6/2017	Steiner	D7/306
D791,533 S *	7/2017	Bond	D7/309
2018/0215603 A1 *	8/2018	Hecht	1/36

* cited by examiner

Primary Examiner — Marianne N Pandozzi

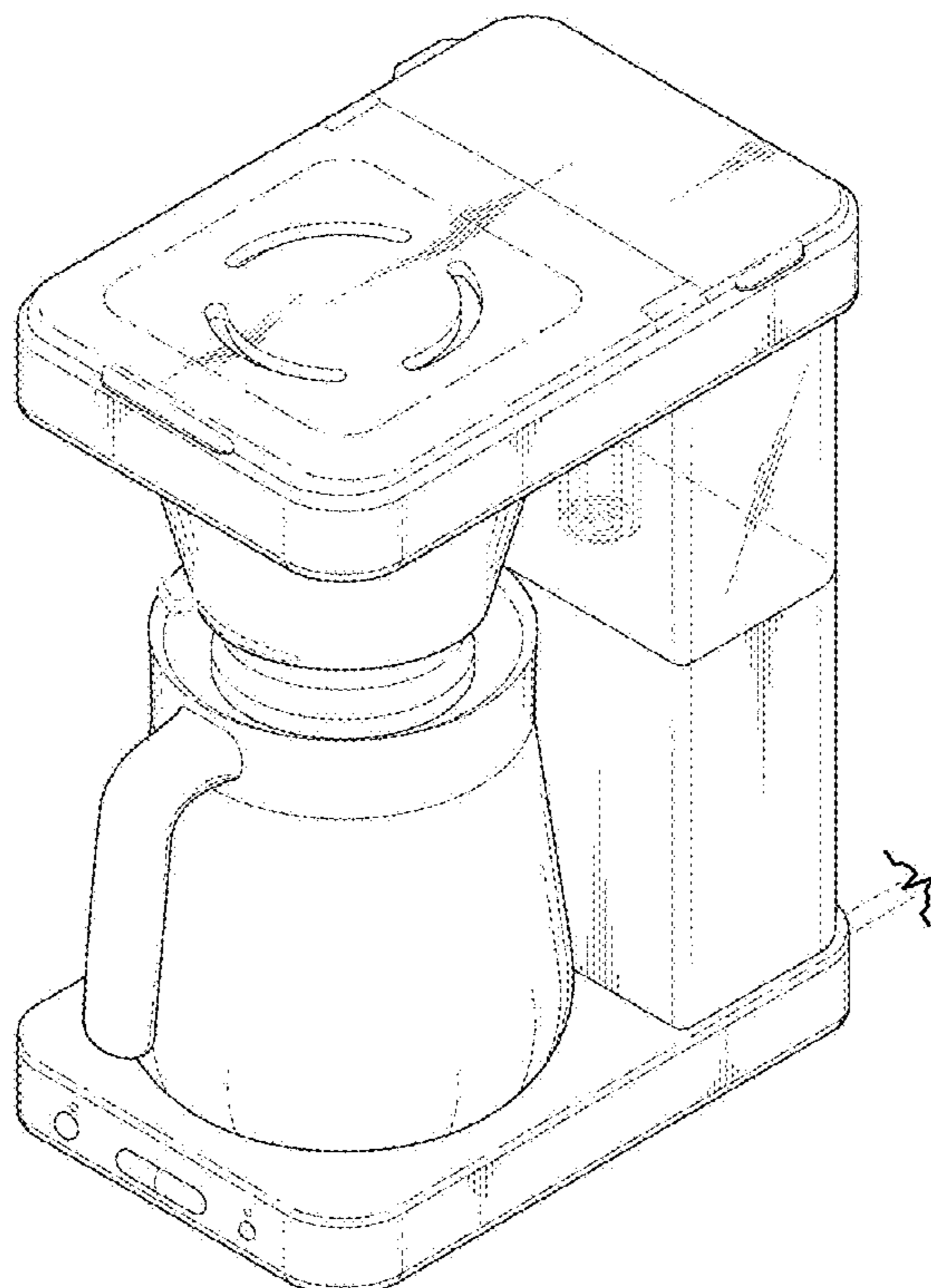
(57) **CLAIM**

The ornamental design for a coffee maker and carafe, as shown, and described.

DESCRIPTION

FIG. 1 is a perspective view of the coffee maker and carafe; FIG. 2 is a front elevation view thereof; FIG. 3 is a rear elevation view thereof; FIG. 4 is a right side elevation view thereof; FIG. 5 is a left side elevation view thereof; FIG. 6 is a top view thereof; and, FIG. 7 is a bottom view thereof. The broken lines depicting a power cord in FIGS. 1, 3, 4, 5, 6 and 7 and environment in FIGS. 1-7 represent unclaimed matter and form no part of the claimed design.

1 Claim, 7 Drawing Sheets



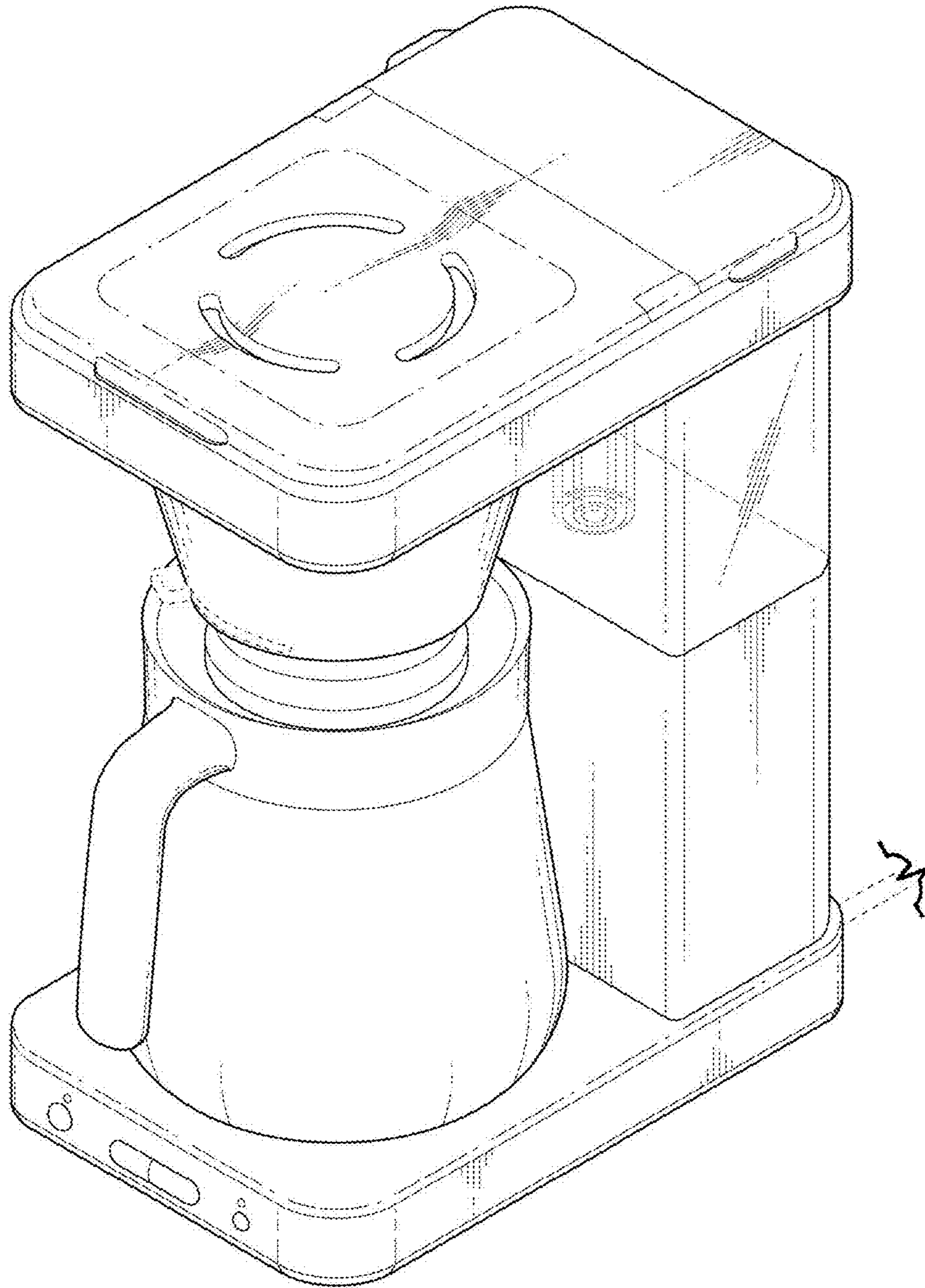


FIG. 1

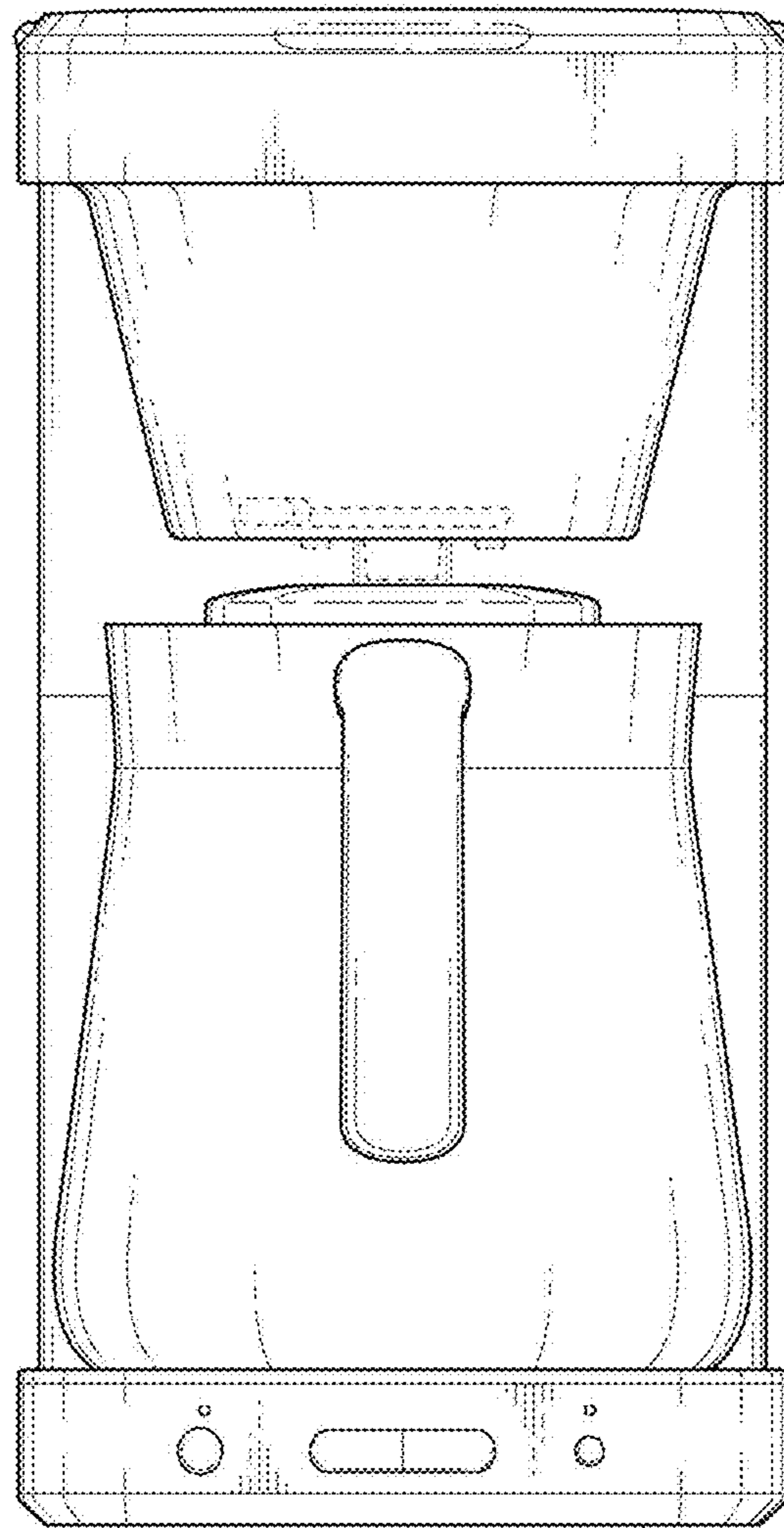


FIG. 2

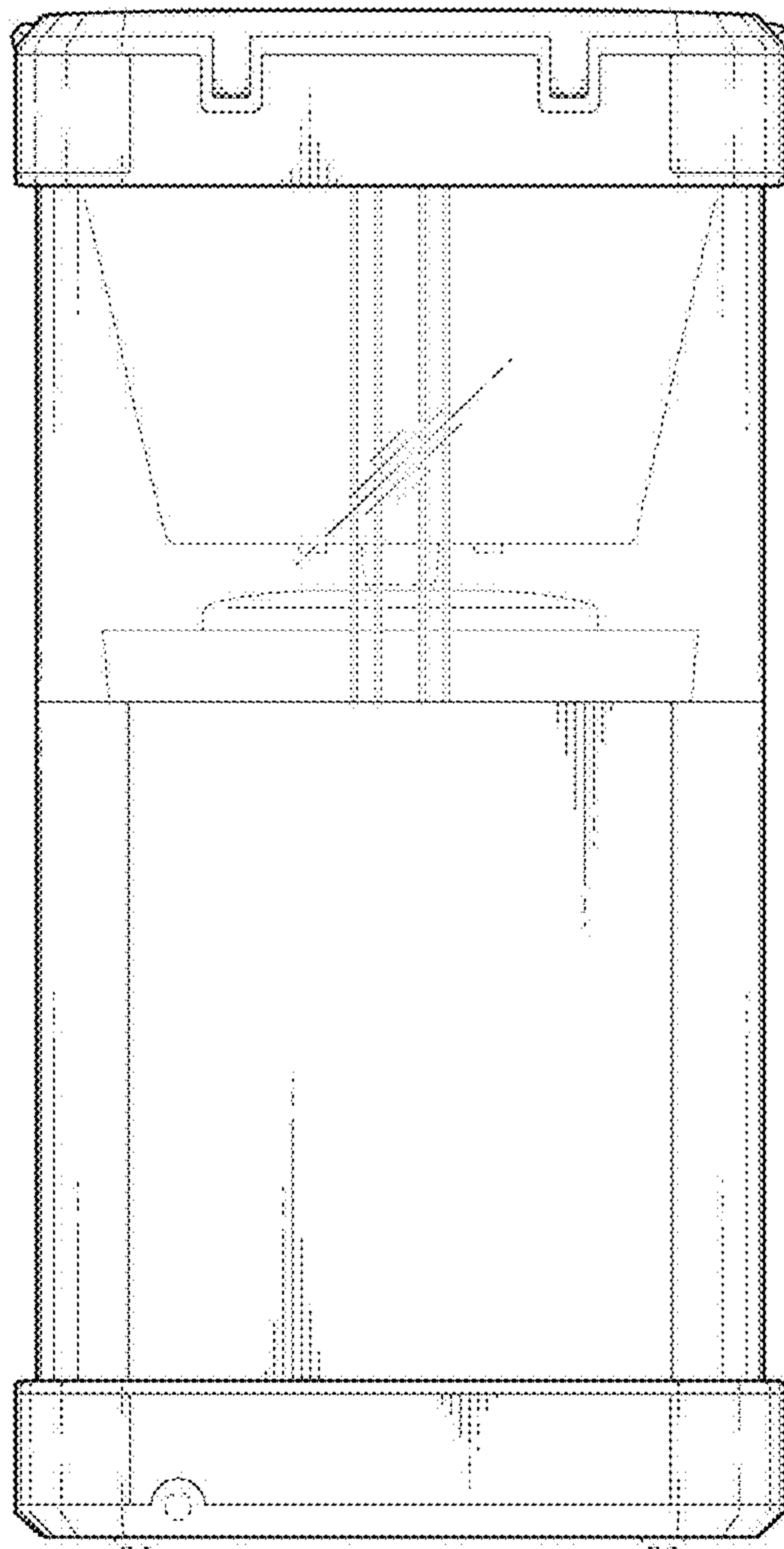


FIG. 3

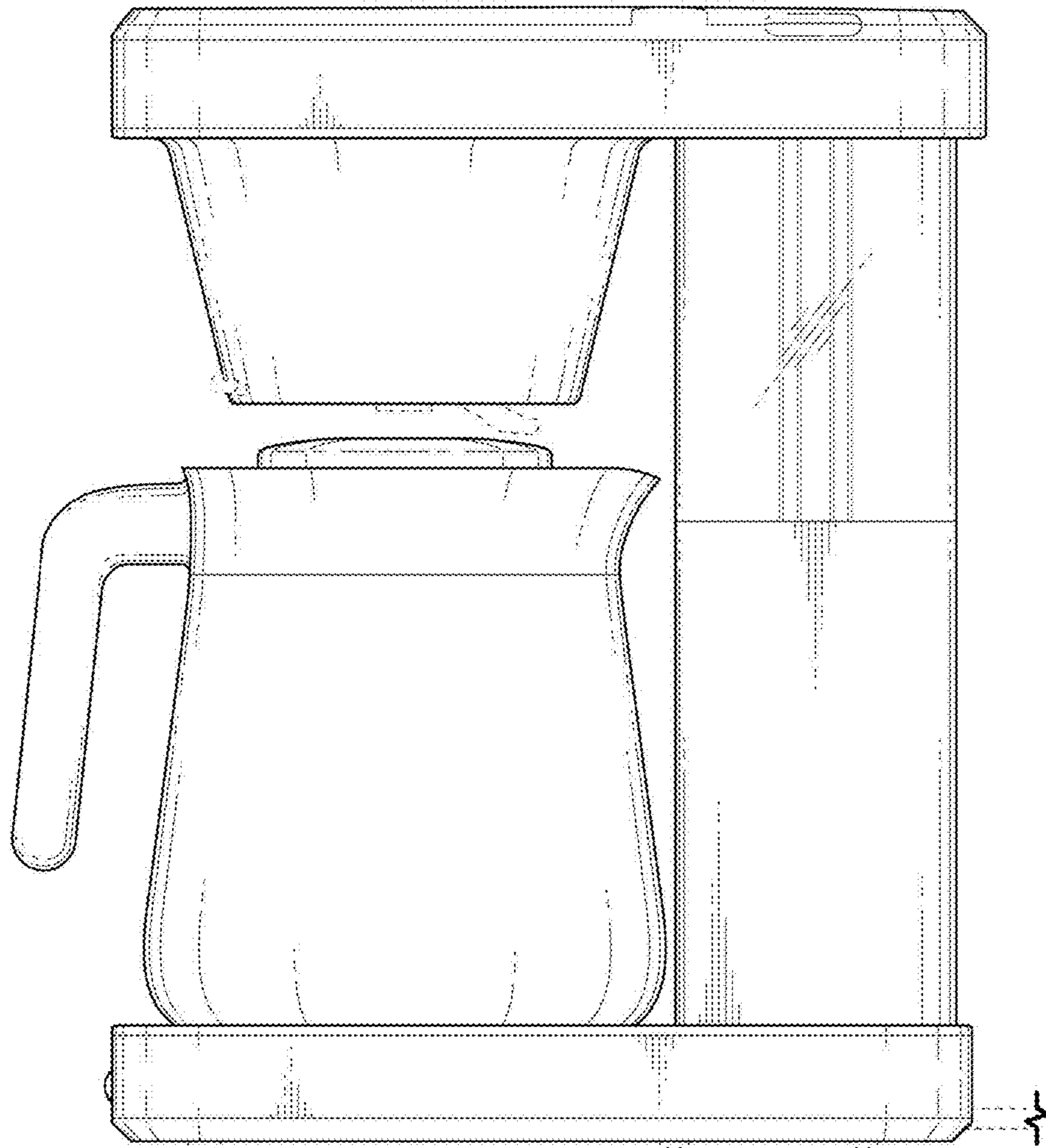


FIG. 4

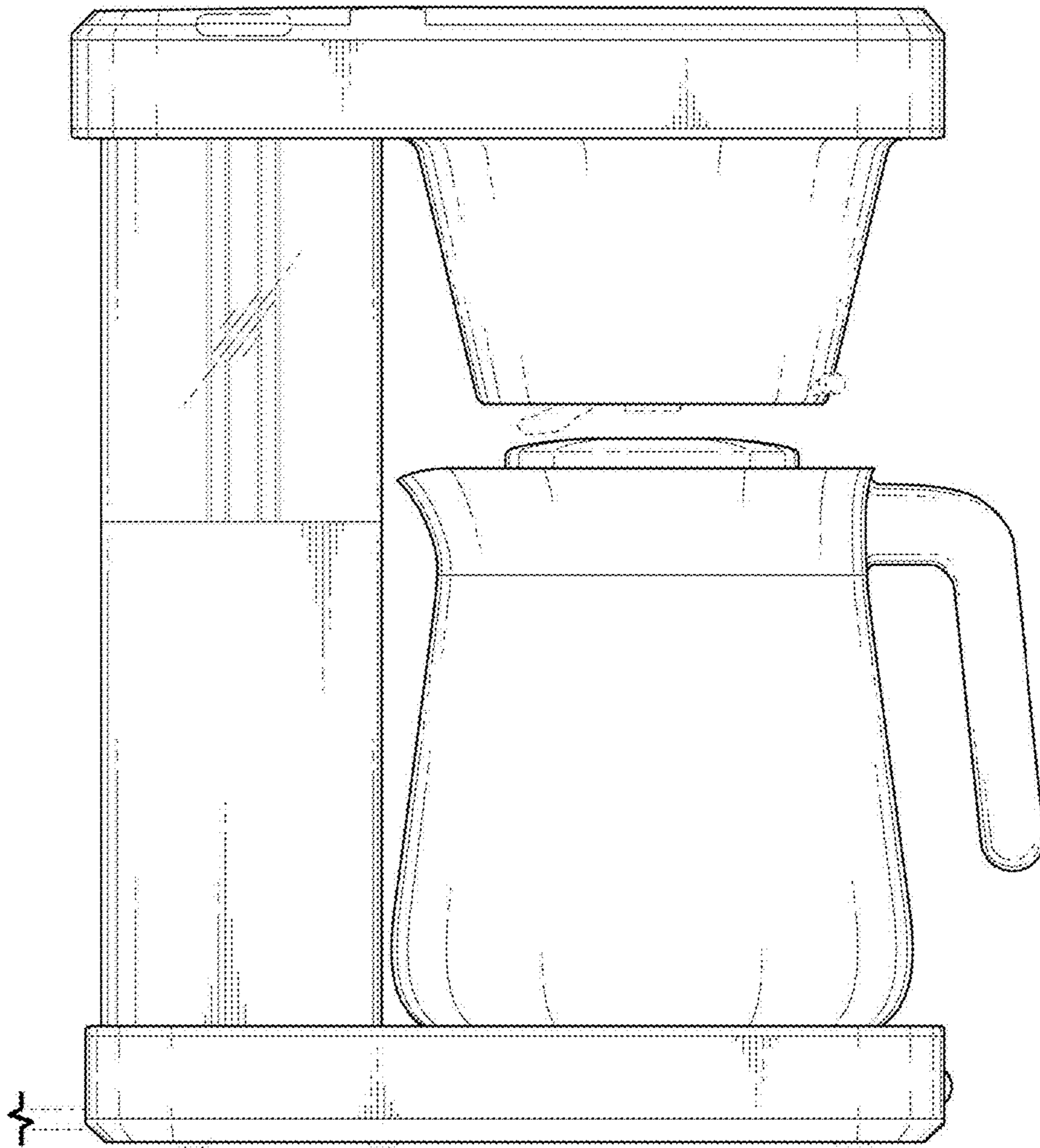


FIG. 5

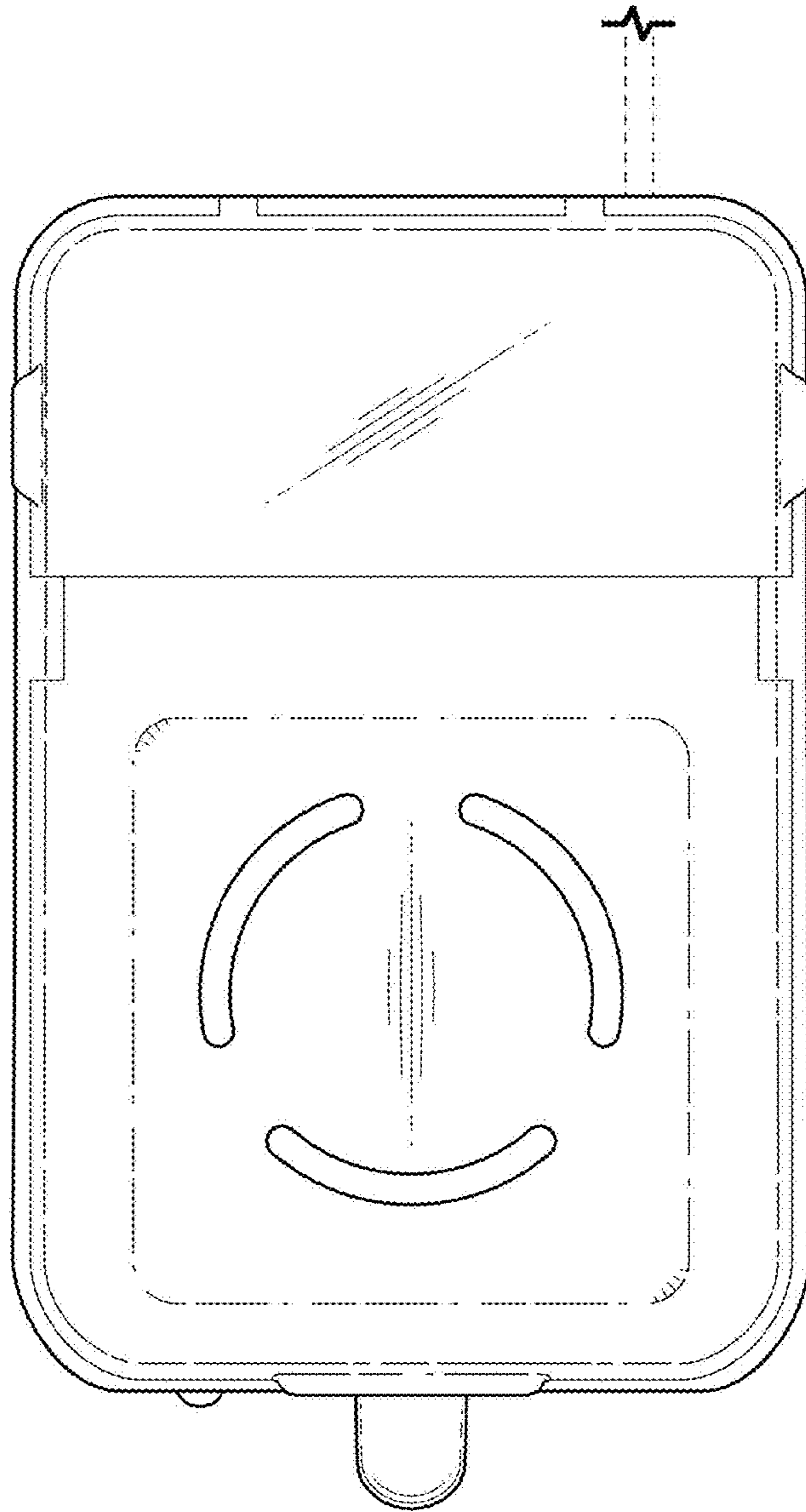


FIG. 6

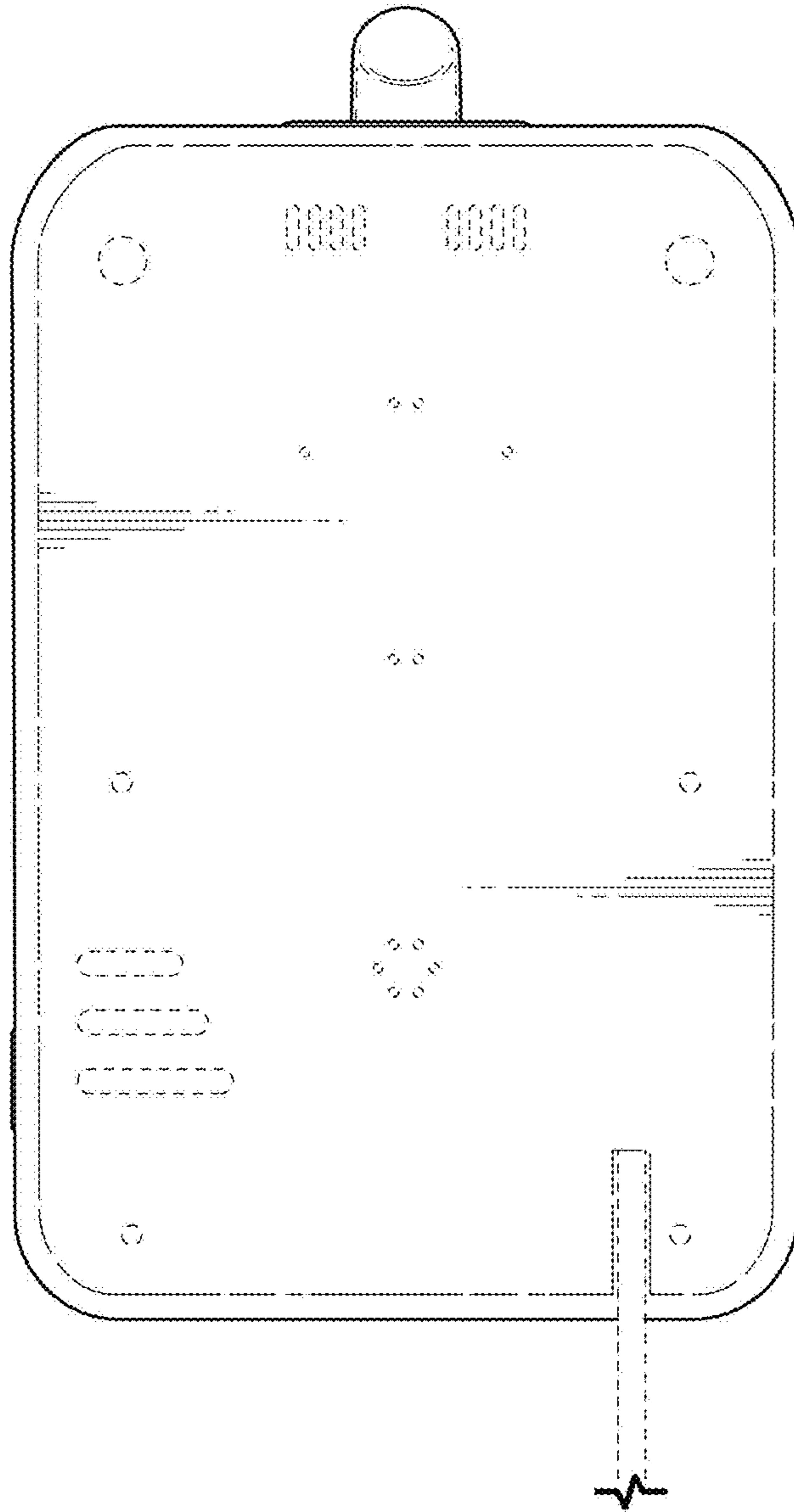


FIG. 7