



US00D862961S

(12) **United States Design Patent**
Gollnick

(10) **Patent No.:** **US D862,961 S**

(45) **Date of Patent:** **** Oct. 15, 2019**

- (54) **COFFEE MAKER**
- (71) Applicant: **K-FEE SYSTEM GMBH**, Bergisch Gladbach (DE)
- (72) Inventor: **Carsten Gollnick**, Potsdam (DE)
- (73) Assignee: **K-FEE SYSTEM GMBH**, Bergisch Gladbach (DE)
- (**) Term: **15 Years**
- (21) Appl. No.: **29/630,592**
- (22) Filed: **Dec. 21, 2017**

4,572,060	A	*	2/1986	Yung-Kuan	A47J 31/057
						99/280
D318,973	S	*	8/1991	Hasslacher	D7/308
5,503,060	A	*	4/1996	Morecroft	A47J 31/0573
						99/295
D562,051	S	*	2/2008	Hulett	D7/306
D689,321	S	*	9/2013	Nett	D7/309
D720,567	S	*	1/2015	Cauwood	D7/306
D731,911	S	*	6/2015	Huang	D10/101
D739,169	S	*	9/2015	Shao	D7/309
D763,613	S	*	8/2016	Han	D7/306
D763,614	S	*	8/2016	Han	D7/306
D765,454	S	*	9/2016	Romandy	D7/309
D778,098	S	*	2/2017	Horimoto	D7/306
D815,871	S	*	4/2018	Gollnick	D7/309
D819,384	S	*	6/2018	Gollnick	D7/309

Related U.S. Application Data

- (62) Division of application No. 29/556,071, filed on Feb. 26, 2016, now Pat. No. Des. 819,384.
- (51) **LOC (12) Cl.** **07-01**
- (52) **U.S. Cl.**
USPC **D7/309**; D7/311; D7/310
- (58) **Field of Classification Search**
USPC D7/305-311, 313; D15/82; 222/129.1, 222/146.6; 99/295
CPC A47J 31/44; A47J 31/4403; A47J 31/46; A47J 31/4482; A47J 31/369; A47J 31/407; A47J 31/10; A47J 31/467; A47J 31/0615; A47J 31/32; B67D 1/36; B67D 2210/0065; B67D 1/0864; B67D 3/0061
See application file for complete search history.

* cited by examiner

Primary Examiner — Marianne N Pandozzi
(74) *Attorney, Agent, or Firm* — The Dobrusin Law Firm, P.C.

(56) **References Cited**

U.S. PATENT DOCUMENTS

D267,032	S	*	11/1982	Lafontaine	D23/207
4,386,556	A	*	6/1983	Romey, Sr.	A47J 31/0576
						222/209

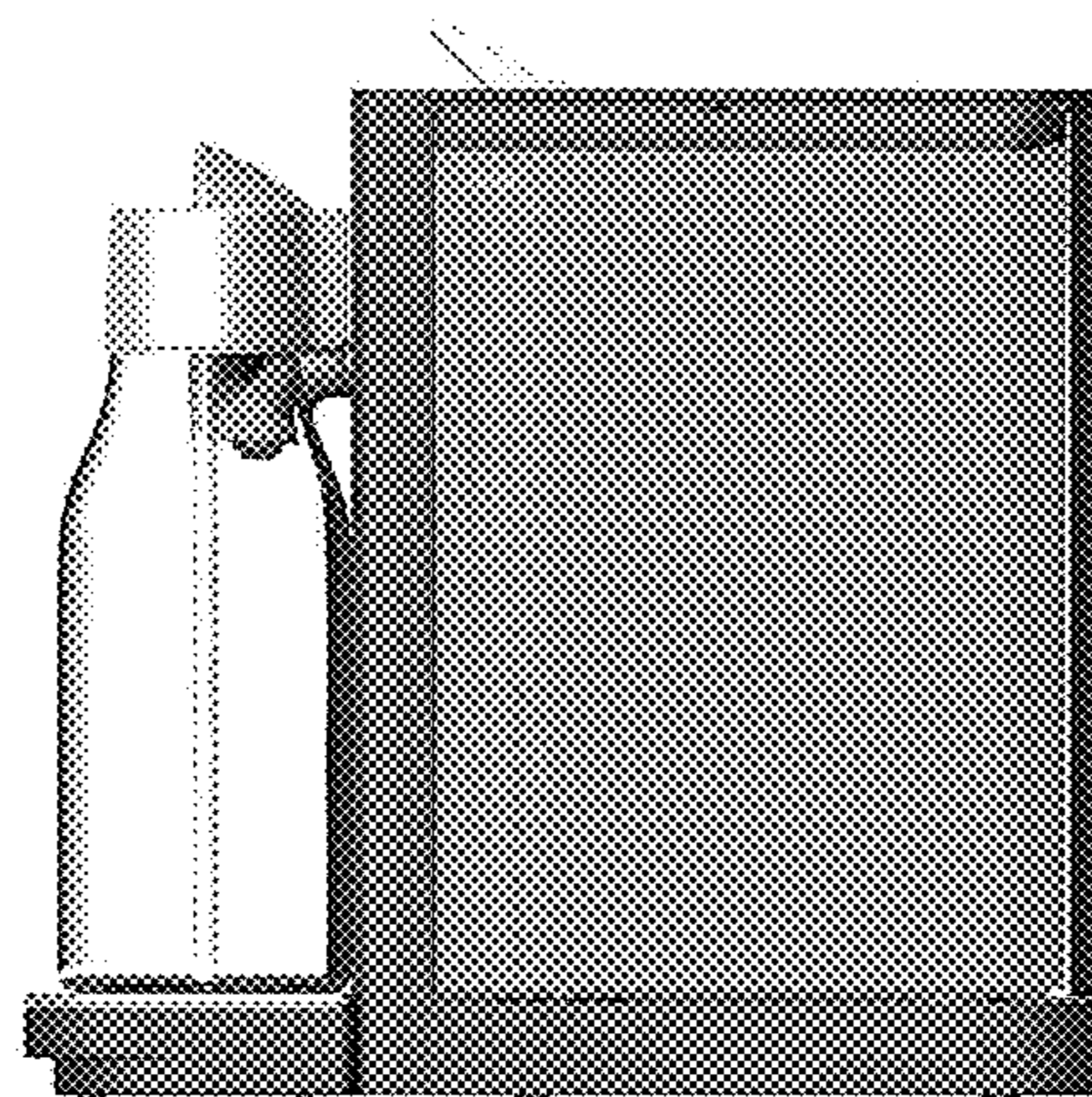
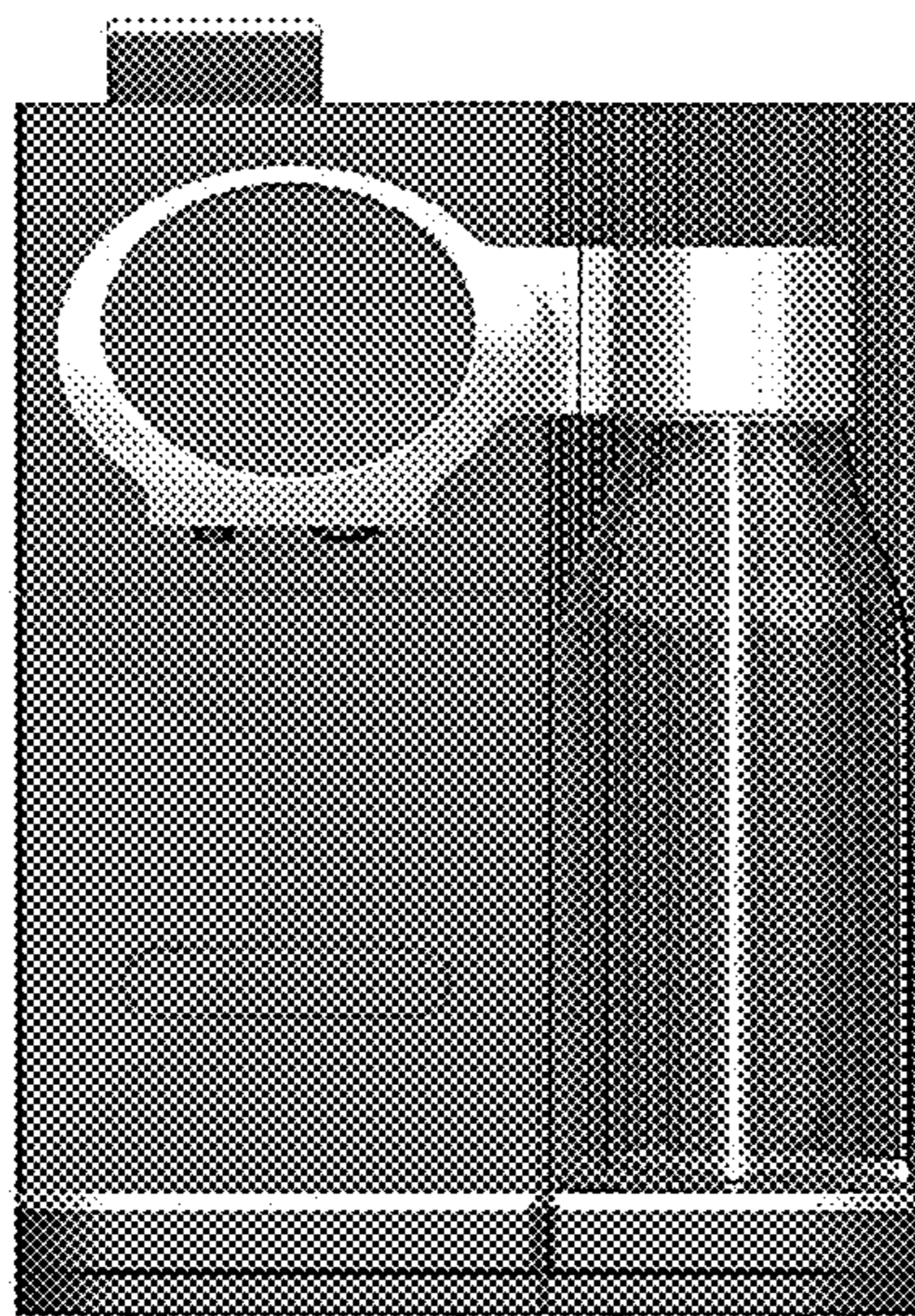
(57) **CLAIM**

The ornamental design for a coffee maker, as shown and described.

DESCRIPTION

FIG. 1 is a front view of a coffee maker showing my new design;
FIG. 2 is a right side view of the coffee maker;
FIG. 3 is a left side view of the coffee maker;
FIG. 4 is a top plan view of the coffee maker of FIG. 1; and,
FIG. 5 is a rear view of the coffee maker of FIG. 1.

1 Claim, 5 Drawing Sheets



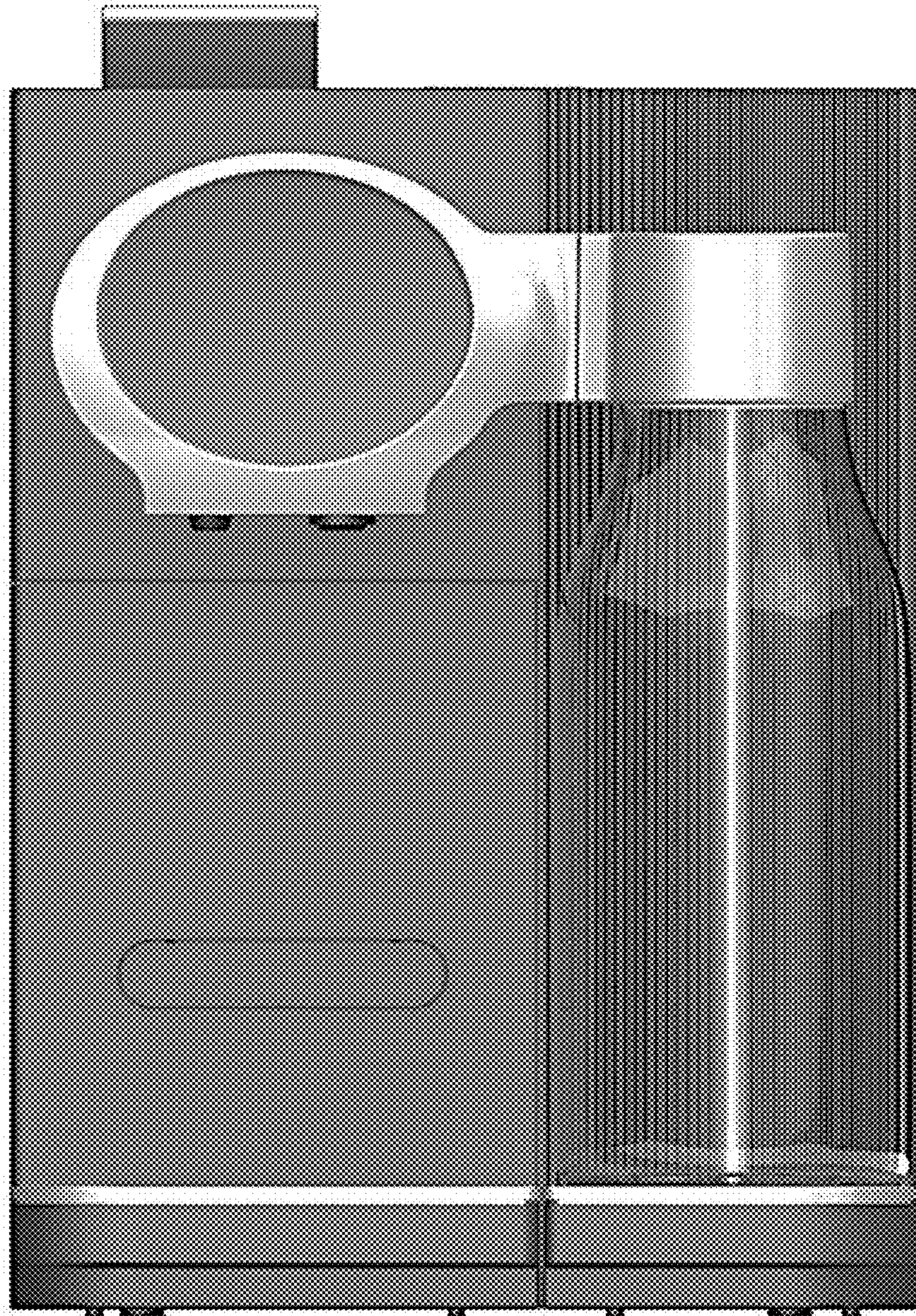


Fig. 1



Fig. 2

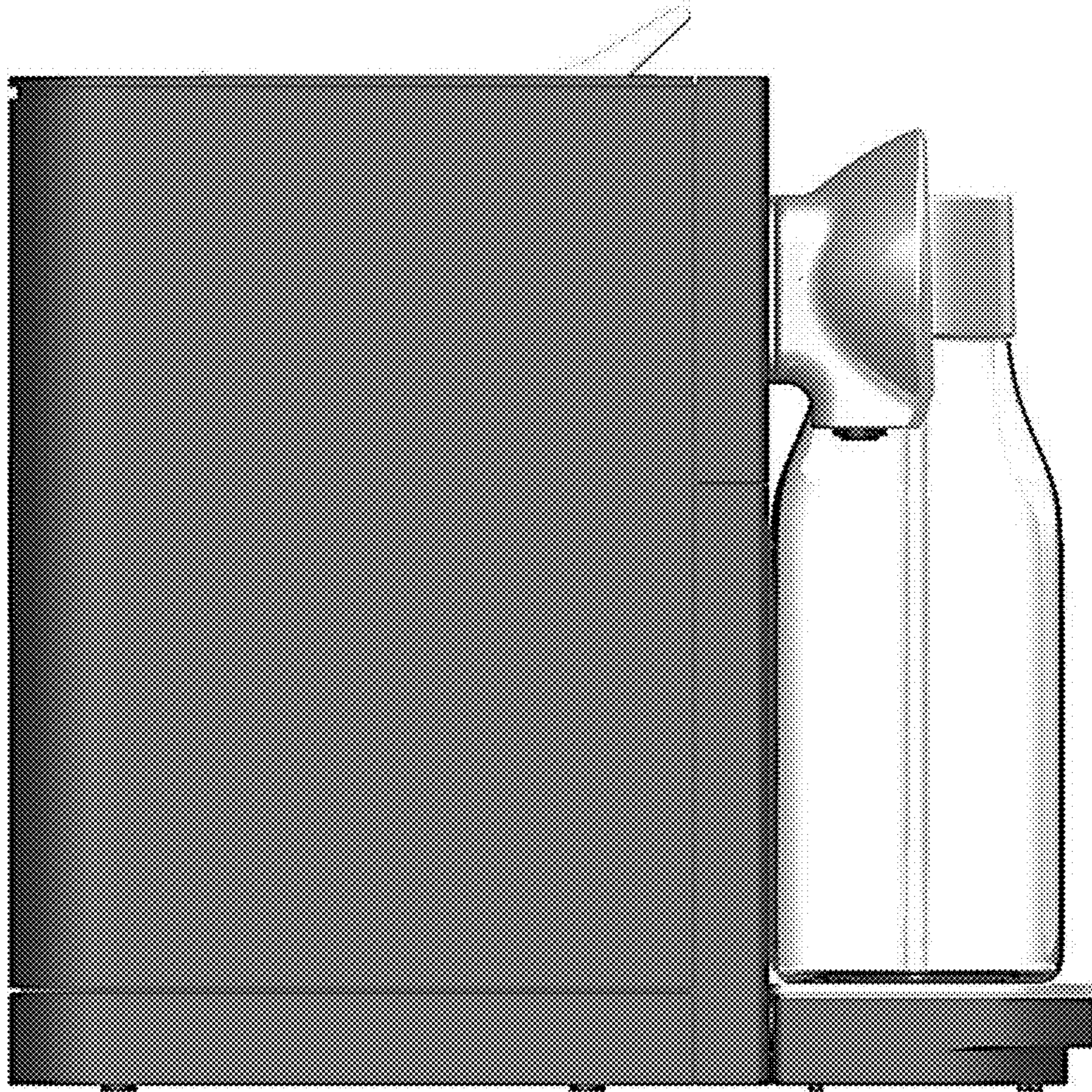


Fig. 3

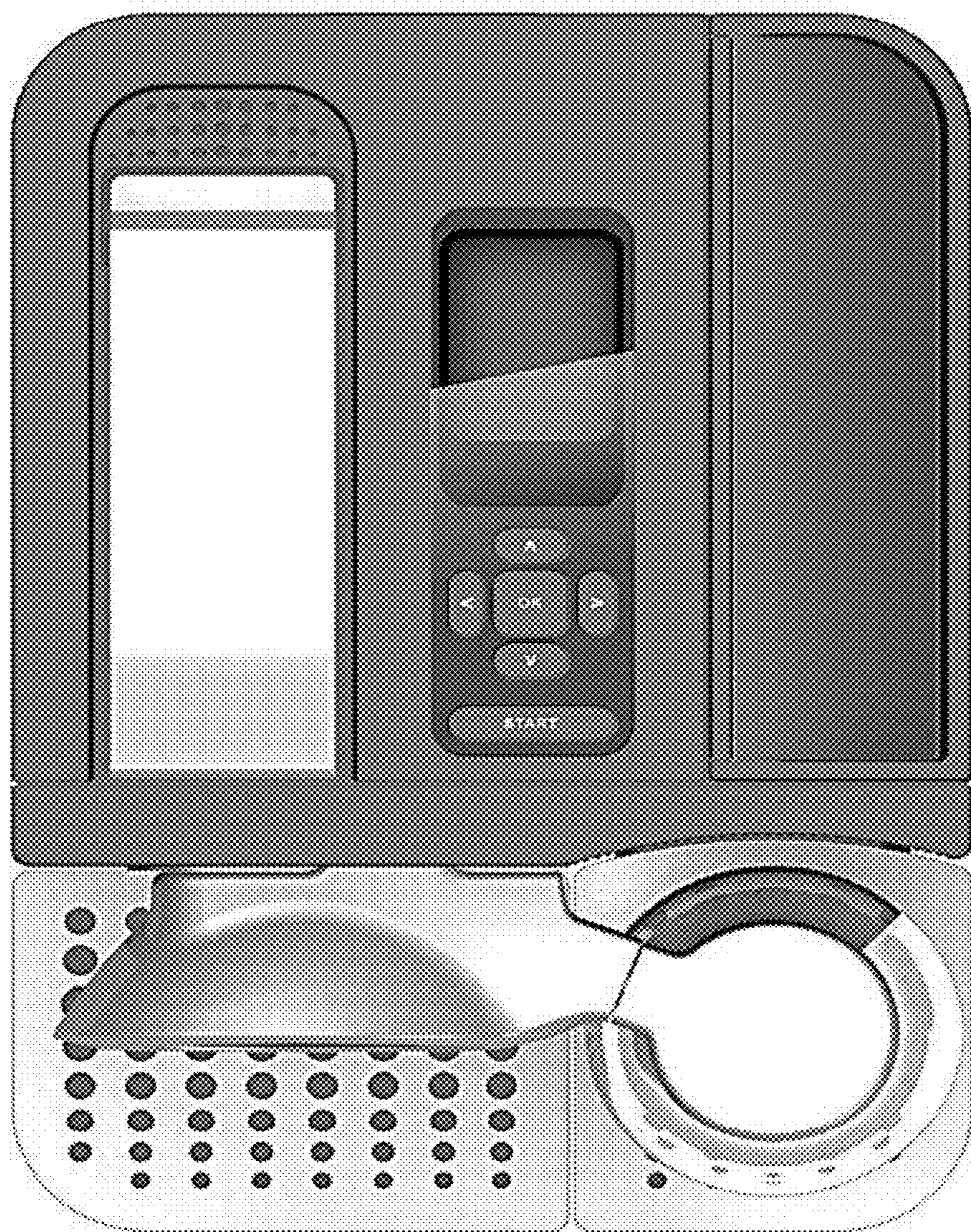


Fig. 4



Fig. 5