

US00D862959S

(12) **United States Design Patent**
Kay et al.

(10) **Patent No.:** **US D862,959 S**

(45) **Date of Patent:** **** Oct. 15, 2019**

(54) **BEVERAGE STIRRER WITH NEAR FIELD COMMUNICATION DEVICE**

(56) **References Cited**

U.S. PATENT DOCUMENTS

(71) Applicant: **International Business Communications, Inc.**, Lake Success, NY (US)

D167,658 S * 9/1952 Roop 43/137
4,242,828 A * 1/1981 Schurger A01M 3/02
43/137

(72) Inventors: **Norman Kay**, Lake Success, NY (US);
Rachel Samaroo, Lake Success, NY (US);
Tanushree Sengupta, Lake Success, NY (US)

D281,269 S * 11/1985 Snyder D22/124
4,653,222 A * 3/1987 Viscosi A01M 3/022
43/137

6,471,391 B1 * 10/2002 Opitz A47J 43/27
366/129

(73) Assignee: **International Business Communications, Inc.**, Lake Success, NY (US)

D753,953 S * 4/2016 Meadows D20/22
D807,469 S * 1/2018 Amash D22/124

* cited by examiner

(**) Term: **15 Years**

Primary Examiner — Karen S Acker

Assistant Examiner — Steven B Reinholdt, Jr.

(74) *Attorney, Agent, or Firm* — Collard & Roe, P.C.

(21) Appl. No.: **29/666,131**

(57) **CLAIM**

The ornamental design for a beverage stirrer with near field communication device, as shown and described.

(22) Filed: **Oct. 10, 2018**

DESCRIPTION

(51) **LOC (12) Cl.** **07-06**

(52) **U.S. Cl.**
USPC **D7/300.2; D7/300.1**

(58) **Field of Classification Search**
USPC D7/300.2, 397, 505, 507, 635, 643, 683,
D7/387, 213, 400, 664, 653, 648, 300;
D20/22, 28; D9/499, 434; D23/209,
D23/210; D27/101

FIG. 1 shows a perspective view of our design for a beverage stirrer with near field communication device.

FIG. 2 shows a front view thereof;

FIG. 3 shows a rear view thereof;

FIG. 4 shows a right side view thereof;

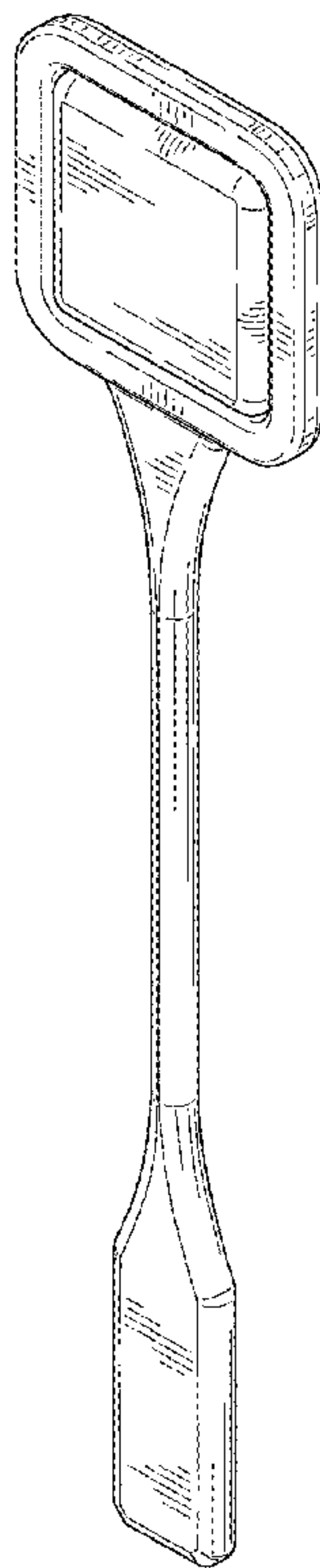
FIG. 5 shows a left side view thereof;

FIG. 6 shows a top view thereof; and,

FIG. 7 shows a bottom view thereof.

CPC A47G 21/181; A47G 21/18; A01M 3/022
See application file for complete search history.

1 Claim, 3 Drawing Sheets



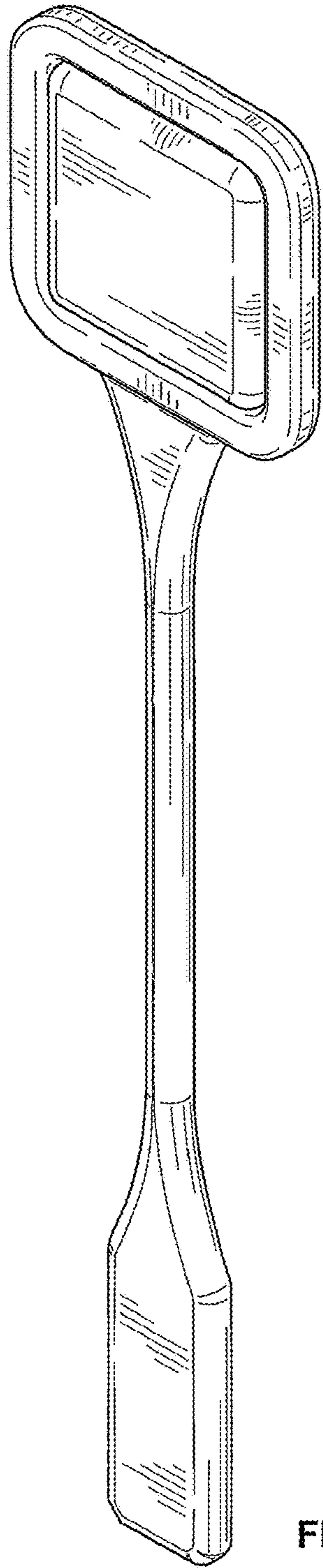


FIG. 1

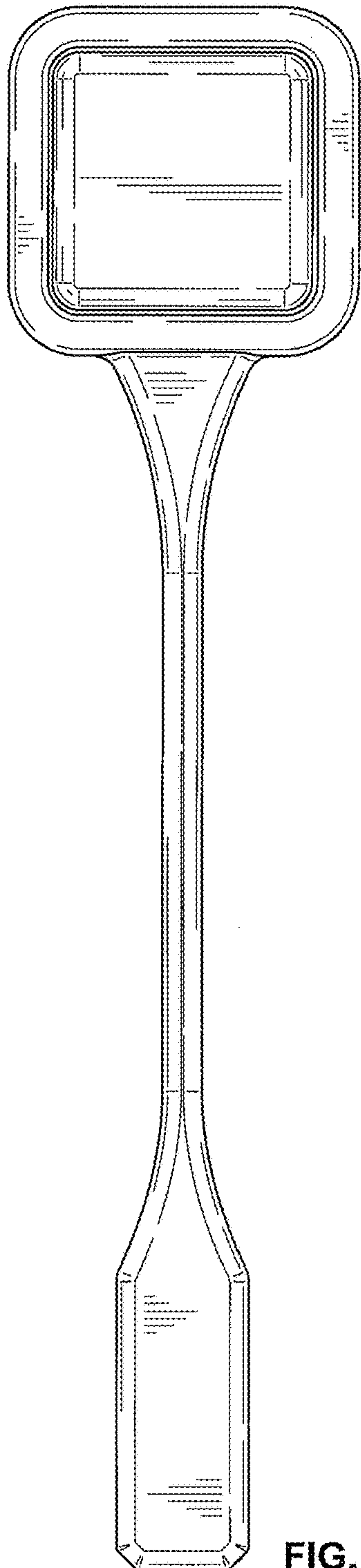


FIG. 2

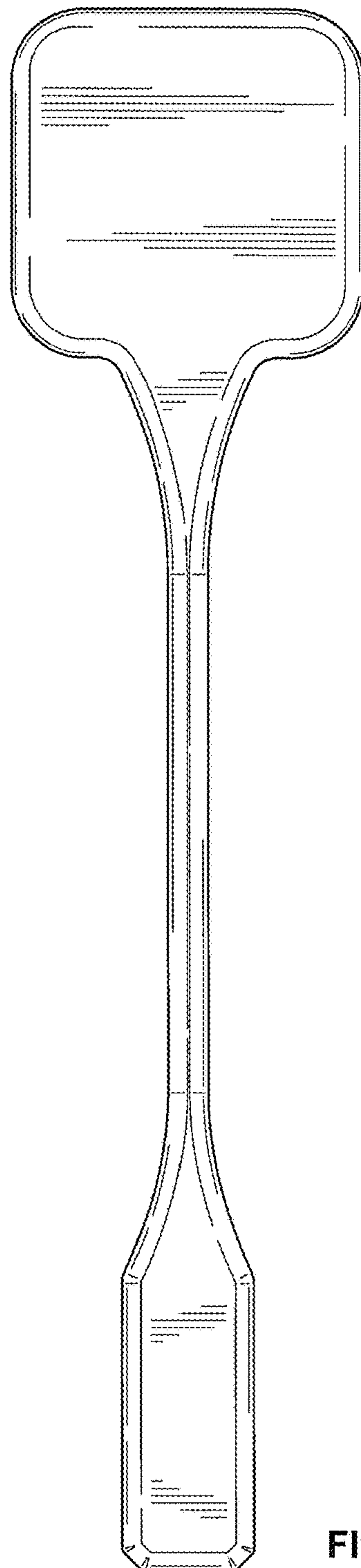


FIG. 3

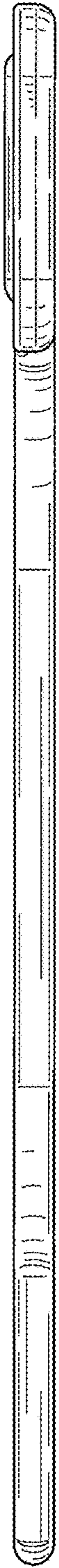


FIG. 4

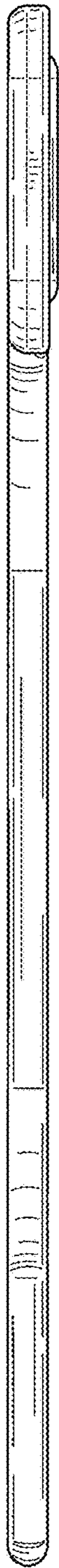


FIG. 5

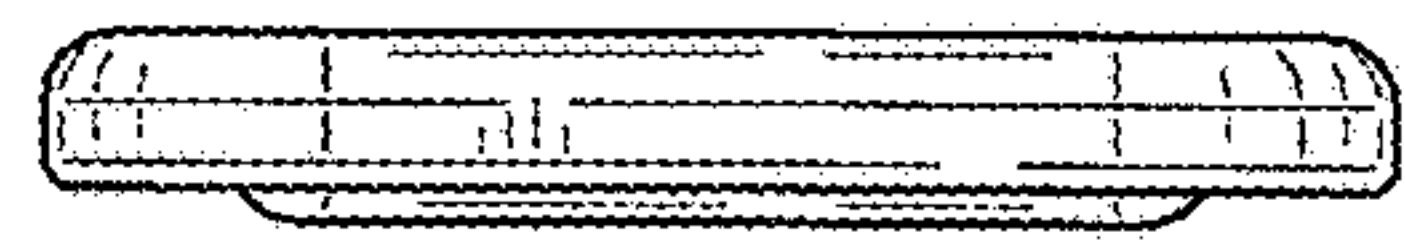


FIG. 6

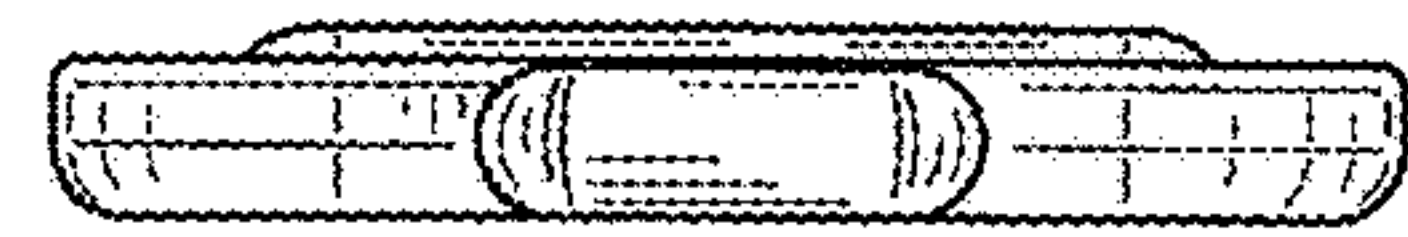


FIG. 7