



US00D862956S

(12) **United States Design Patent** (10) **Patent No.:** **US D862,956 S**
Corner (45) **Date of Patent:** **** Oct. 15, 2019**

(54) **BENCH**
(71) Applicant: **SANTA & COLE NEOSERIES S.L.**,
La Roca del Valles (ES)
(72) Inventor: **James Corner**, New York, NY (US)
(73) Assignee: **SANTA & COLE NEOSERIES S.L.**,
La Roca del Vallès (ES)
(**) Term: **15 Years**
(21) Appl. No.: **35/504,769**
(22) Filed: **Mar. 14, 2018**

D408,660 S * 4/1999 Donnelly D6/717
D419,341 S * 1/2000 Chipman D6/381
D467,101 S * 12/2002 Hughes D6/717
D525,809 S * 8/2006 Hughes D6/717
D526,805 S * 8/2006 Skalka D6/381
D528,831 S * 9/2006 Rizzi D6/717
D578,808 S * 10/2008 Pappas D6/716
D585,210 S * 1/2009 Rizzi D6/381
D590,610 S * 4/2009 Pappas D6/355
D629,233 S * 12/2010 Slear D6/717
D658,551 S * 5/2012 Skalka D12/115
D689,316 S * 9/2013 Lee D6/366
D711,174 S * 8/2014 Skalka D6/717
D726,473 S * 4/2015 Skalka D6/717
D759,989 S * 6/2016 Lade D6/379
D789,724 S * 6/2017 Gerard D6/717

* cited by examiner

(80) **Hague Agreement Data**
Int. Filing Date: **Mar. 14, 2018**
Int. Reg. No.: **DM/100512**
Int. Reg. Date: **Mar. 14, 2018**
Int. Reg. Pub. Date: **Apr. 20, 2018**

Primary Examiner — Mary Ann Calabrese
Assistant Examiner — Jennifer L Rempfer
(74) *Attorney, Agent, or Firm* — Staas & Halsey LLP

(51) **LOC (12) Cl.** **06-06**
(52) **U.S. Cl.**
USPC **D6/717**

(57) **CLAIM**

The ornamental design for bench, as shown and described.

(58) **Field of Classification Search**
USPC D6/334–336, 347, 348, 361, 363,
D6/368–370, 716–176.6
CPC A47C 4/12; A47C 4/14; A47C 4/20; A47C
4/28; A47C 4/30; A47C 4/42; A47C 7/50;
A47C 7/54; A47C 7/506; A47C 1/143;
A47C 1/043; A47C 4/06
See application file for complete search history.

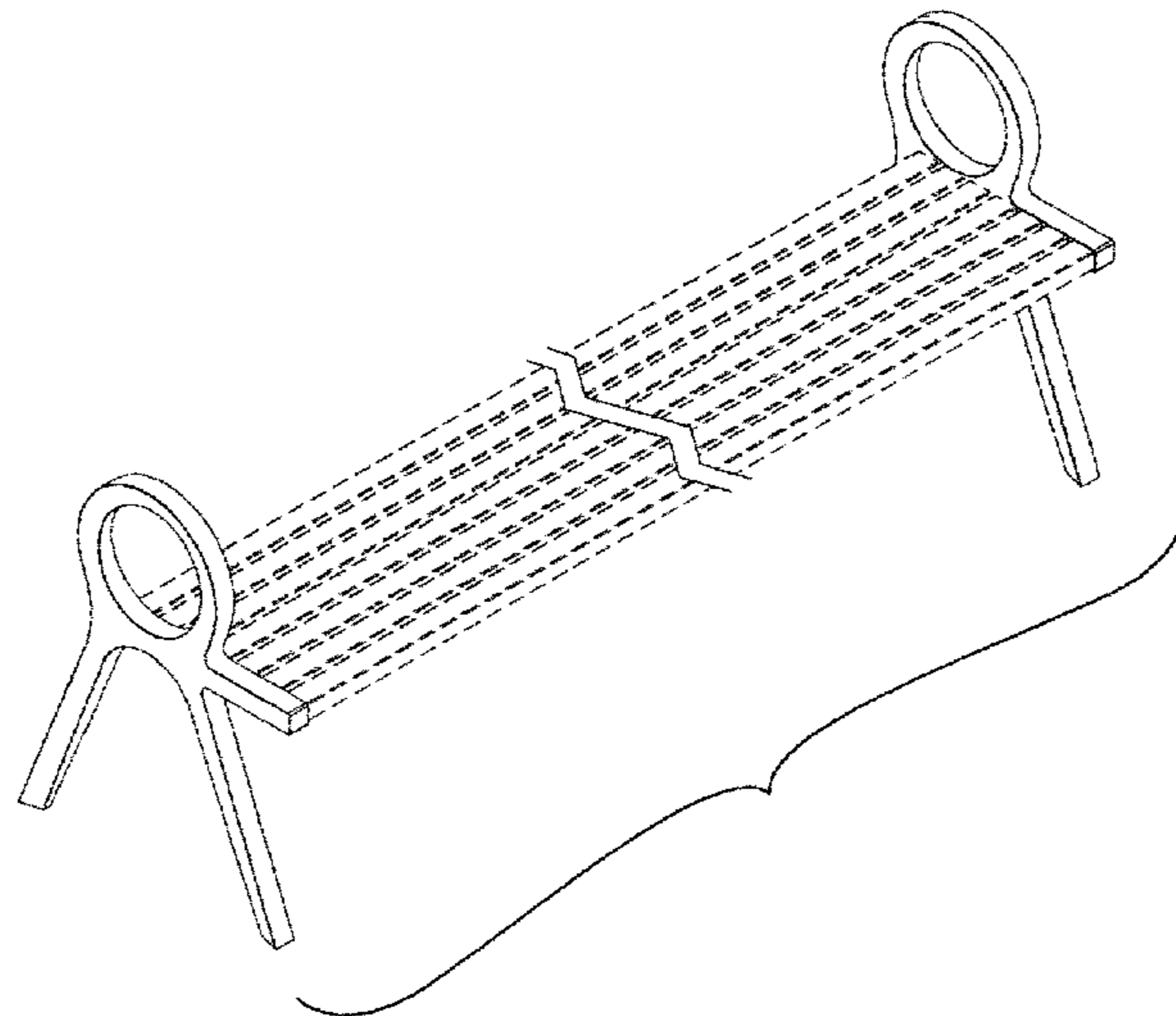
DESCRIPTION

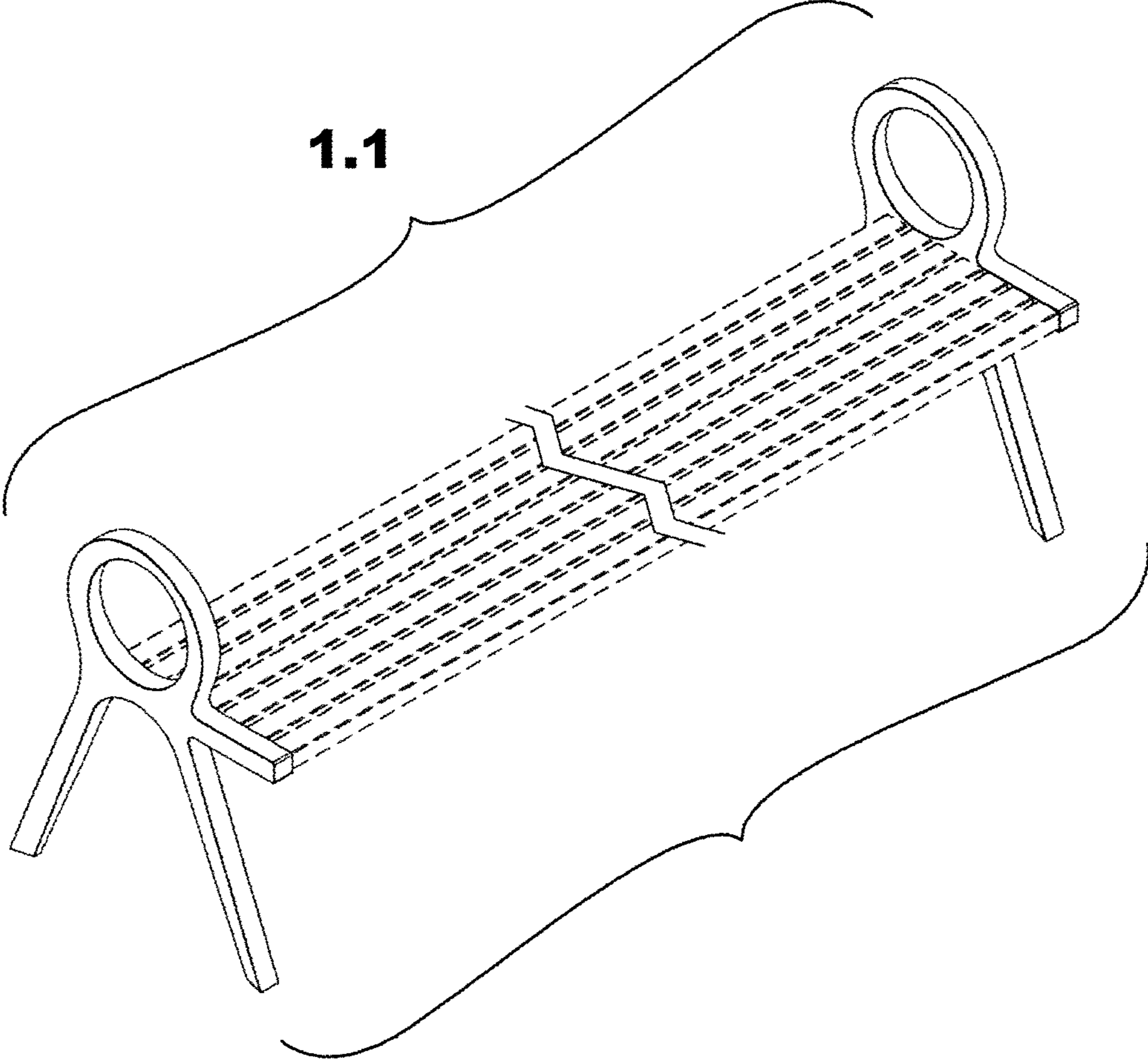
- 1. Bench
- 1.1 : Perspective
- 1.2 : Front
- 1.3 : Left
- 1.4 : Top
- 1.5 : Right
- 1.6 : Bottom
- 1.7 : Back

The parts shown by means of broken lines in the reproductions are not part of the claimed design.
The bench is shown with a symbolic break in its width. The appearance of any portion of the article between the break lines forms no part of the design.

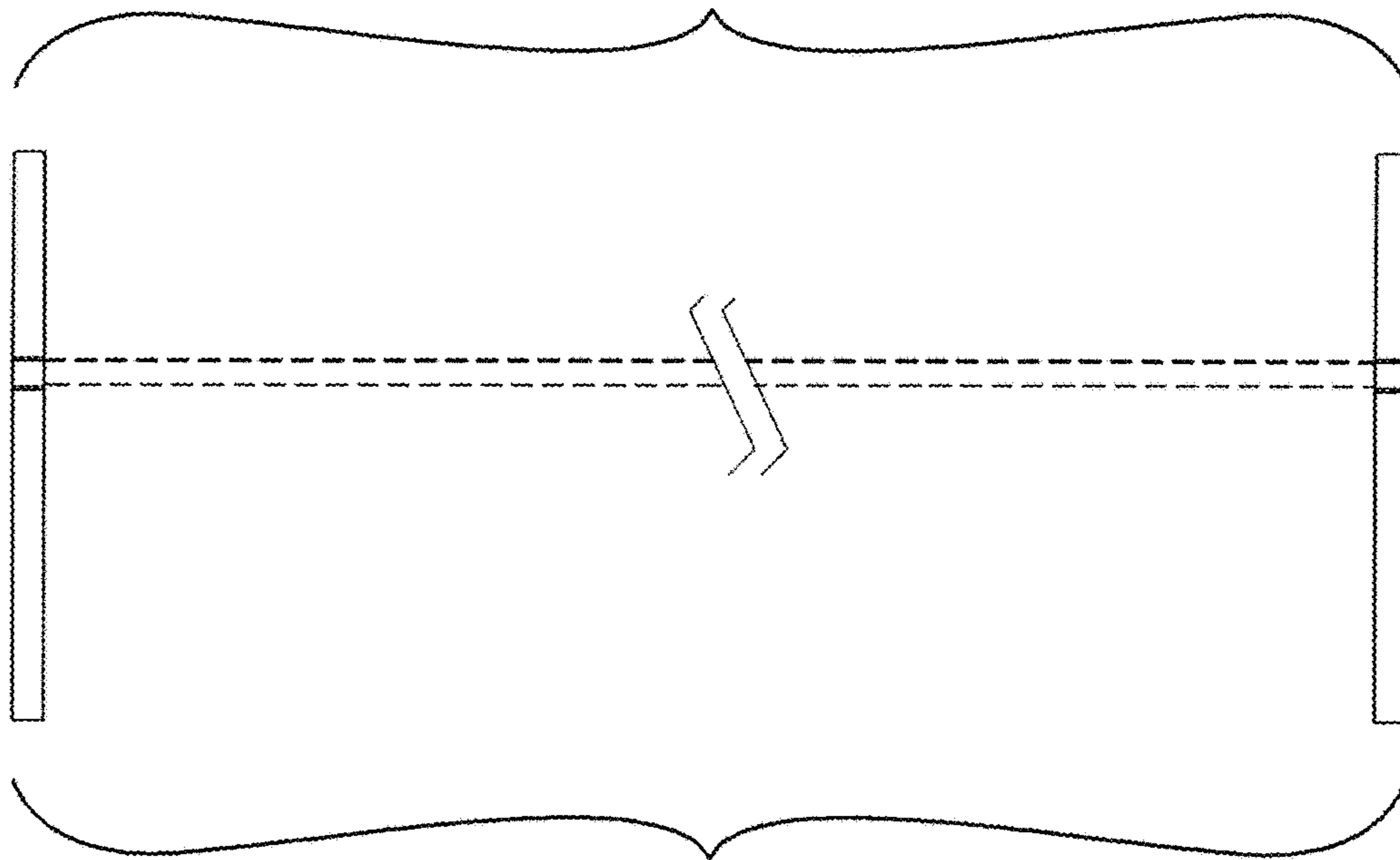
(56) **References Cited**
U.S. PATENT DOCUMENTS
D269,146 S * 5/1983 Bowman D6/717
D366,773 S * 2/1996 Yurk D6/369
D376,271 S * 12/1996 Skalka D6/370

1 Claim, 7 Drawing Sheets

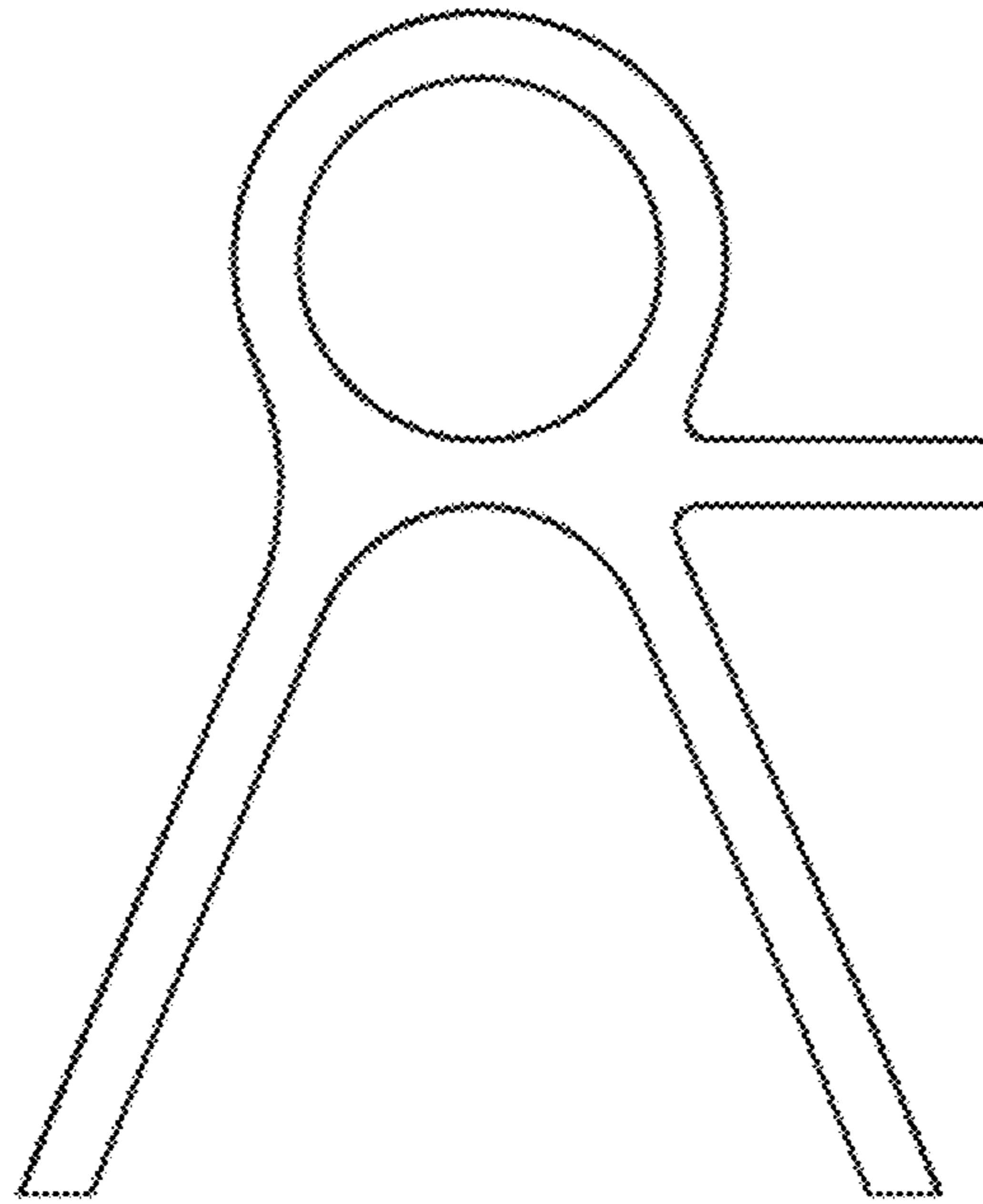




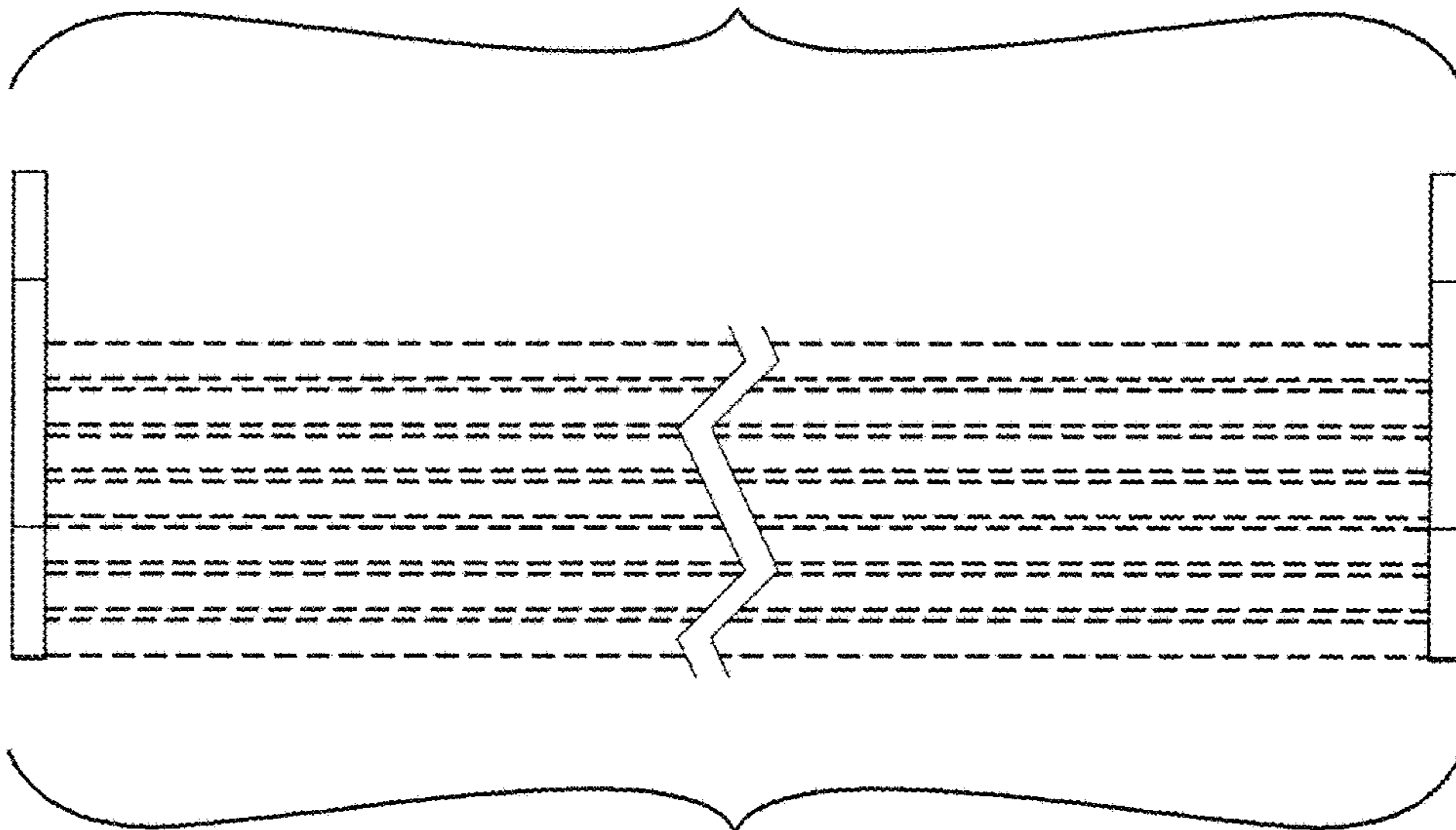
1.2



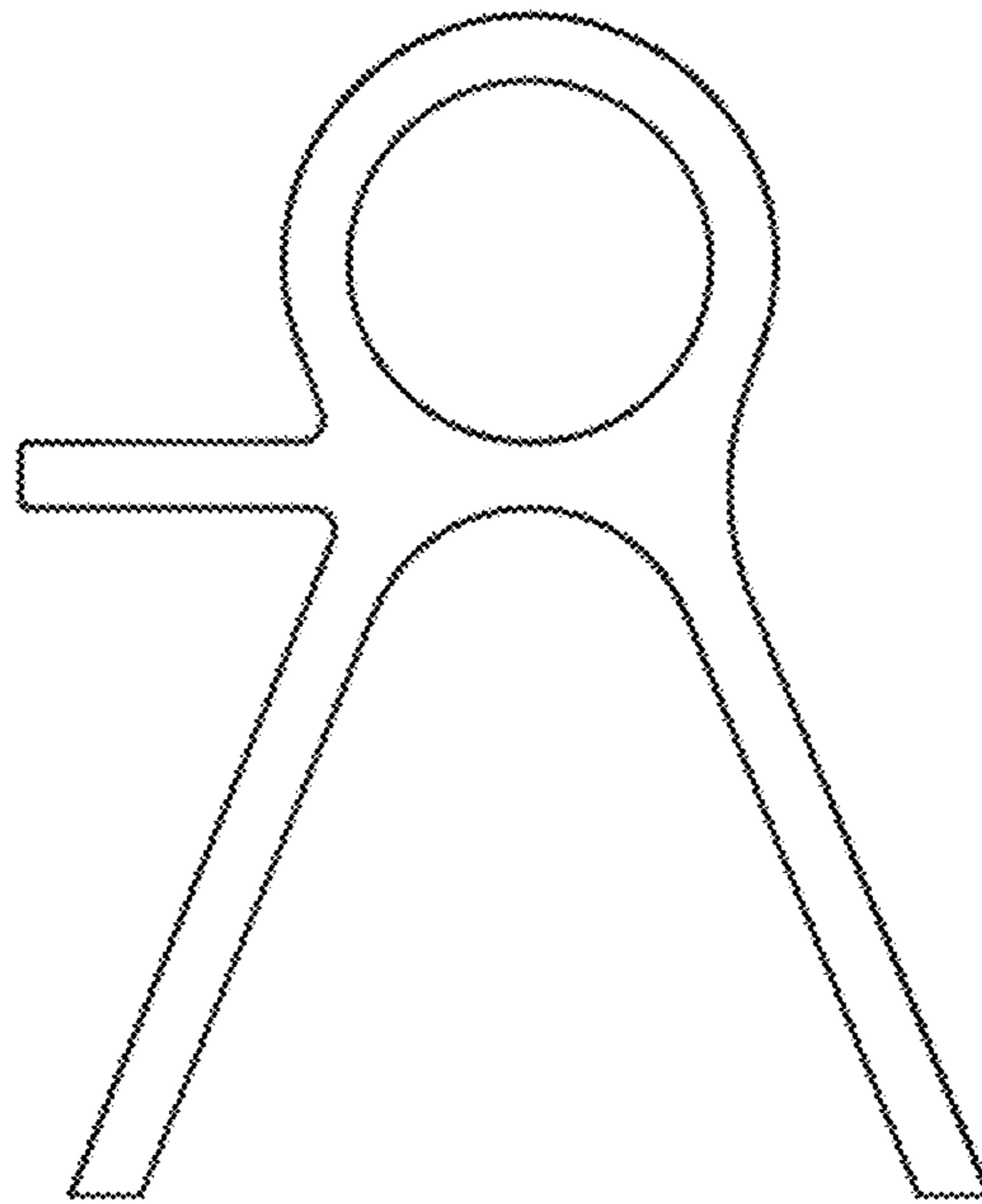
1.3



1.4



1.5



1.6

