



US00D862952S

(12) **United States Design Patent** (10) **Patent No.:** **US D862,952 S**
Davis et al. (45) **Date of Patent:** **** Oct. 15, 2019**

(54) **TABLE**
(71) Applicant: **WALKER EDISON FURNITURE COMPANY, LLC**, Salt Lake City, UT (US)
(72) Inventors: **Matthew Davis**, Murray, UT (US); **Brad Bonham**, Draper, UT (US); **Richard Packer**, Kaysville, UT (US)
(73) Assignee: **WALKER EDISON FURNITURE COMPANY LLC**, Salt Lake City, UT (US)

D194,573 S 2/1963 Owendale
D220,443 S * 4/1971 Beavers D6/691
D234,735 S 4/1975 Podell
D261,712 S 11/1981 Ferdinand
D281,555 S * 12/1985 Levy D6/406.6
D288,880 S 3/1987 Favaretto
(Continued)

(**) Term: **15 Years**

(21) Appl. No.: **29/634,908**

(22) Filed: **Jan. 25, 2018**

(51) **LOC (12) Cl.** **06-03**

(52) **U.S. Cl.**
USPC **D6/691**

(58) **Field of Classification Search**
USPC D6/641, 657, 685, 686, 689, 690, 691, D6/691.1, 691.2, 691.3, 691.4, 691.5, D6/691.6, 691.7, 691.8, 691.9, 699, D6/699.1, 699.2, 699.3, 699.4, 699.5, D6/702, 707, 707.15, 708, 709, 709.17, D6/709.2, 709.21, 709.22, 711
CPC .. A47B 37/00; A47B 3/00; A47B 1/00; A47B 3/06; A47B 3/08; A47B 7/00; A47B 21/00; A47B 23/00; A47B 25/00; A47B 13/08; A47B 3/083; A47B 3/14; A47B 41/00; A47B 17/00; A47B 3/0809; A47B 3/0812; A47B 2013/026; A47B 2200/03; A47B 2200/00; A47B 2003/0821; A47C 3/045

See application file for complete search history.

(56) **References Cited**

U.S. PATENT DOCUMENTS

606,845 A 7/1898 Simmons
D96,633 S * 8/1935 Swanson D6/691.7

FOREIGN PATENT DOCUMENTS

CA 179417 1/2018

OTHER PUBLICATIONS

Madelyn Urban Blend Wood Dining Table, posted at Allmodern.com, posted on Apr. 29, 2017, site visited Mar. 8, 2019. online, available from internet: <https://www.allmodern.com/furniture/pdp/madelyn-urban-blend-wood-dining-table-lrfy7130.html?piid=20742762#2izwgxw61p-7> (Year: 2017).*

(Continued)

Primary Examiner — Mary Ann Calabrese
Assistant Examiner — Catherine Ho
(74) *Attorney, Agent, or Firm* — Workman Nydegger

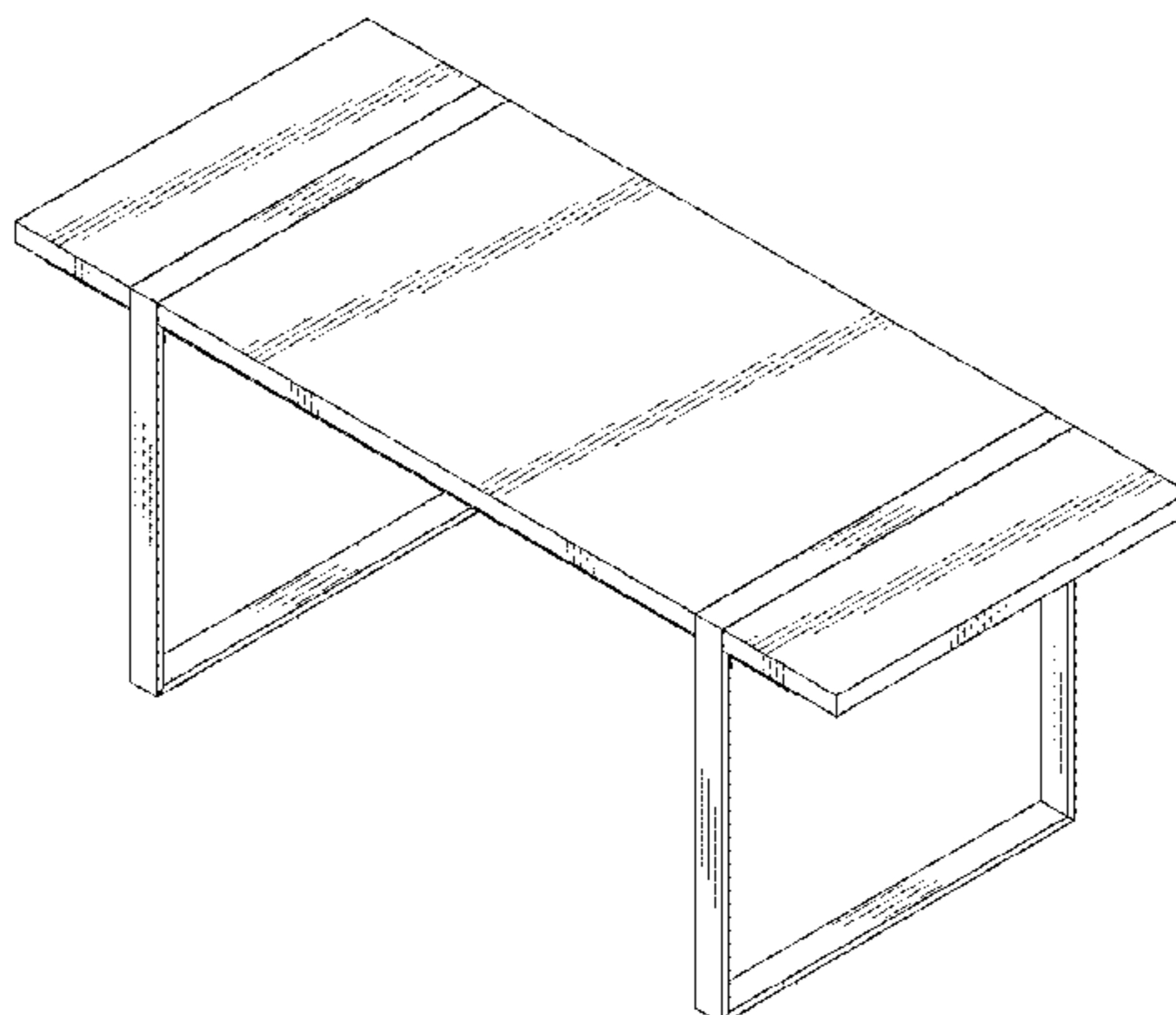
(57) **CLAIM**

The ornamental design for a table, as shown and described.

DESCRIPTION

FIG. 1 is a front perspective view of a table showing the new design;
FIG. 2 is a front elevation view thereof;
FIG. 3 is a back elevation view thereof;
FIG. 4 is a top plan view thereof;
FIG. 5 is a bottom plan view thereof;
FIG. 6 is a right elevation view thereof; and,
FIG. 7 is a left elevation view thereof.
The broken lines in the drawings illustrate portions of the table that form no part of the claimed design.

1 Claim, 4 Drawing Sheets



(56)

References Cited

U.S. PATENT DOCUMENTS

D293,181 S 12/1987 Solaro
 D334,856 S 4/1993 Sielaff
 D336,394 S 6/1993 Ball
 D343,311 S 1/1994 Ball
 5,483,901 A 1/1996 Tisbo
 D367,379 S 2/1996 Nicholson
 D443,440 S 6/2001 Deimen
 D506,091 S 6/2005 Cioncada
 D510,492 S * 10/2005 Sakurai D6/709
 D530,548 S * 10/2006 McCurry D6/708
 D552,885 S 10/2007 Saotome
 D588,380 S * 3/2009 Bucholz D6/691.5
 D608,568 S * 1/2010 Manz D6/691.5
 7,640,869 B2 1/2010 Leng
 D614,889 S * 5/2010 Van Duysen D6/691.5
 D618,936 S 7/2010 Xu
 D626,767 S 11/2010 Lucci
 D640,075 S 6/2011 Petrick
 D655,951 S * 3/2012 McCurry D6/708
 D669,709 S 10/2012 Nakamura
 D671,339 S 11/2012 Nakamura

D676,689 S 2/2013 Matsushita
 D688,075 S 8/2013 Lucci
 D695,557 S 12/2013 Carretta
 D703,465 S * 4/2014 Weatherly D6/656.16
 D775,877 S 1/2017 Lin
 D782,855 S 4/2017 Scagnellato
 D785,384 S * 5/2017 Bettin D6/691.7
 D808,207 S 1/2018 Davis
 D829,013 S * 9/2018 Velez D6/349
 2010/0186640 A1 7/2010 Leng

OTHER PUBLICATIONS

BonVIVO Designer Coffee Table, posted at Amazon.com, posted on Feb. 15, 2017, site visited Mar. 8, 2019. online, available from internet: <https://www.amazon.com/bonVIVO-Designer-Coffee-Donatella-Natural/dp/B06VVXJ6BH> (Year: 2017).
 U.S. Appl. No. 29/634,915, filed Jan. 25, 2018, Davis.
 U.S. Appl. No. 29/656,481, filed Jul. 12, 2018, Davis.
 Metal Coffee Table; <https://www.overstock.com/Home-Garden/42-Metal-Coffee-Table-42-x-24-x-18h/15951452/product.html> ; Retrieved on Nov. 13, 2018.

* cited by examiner

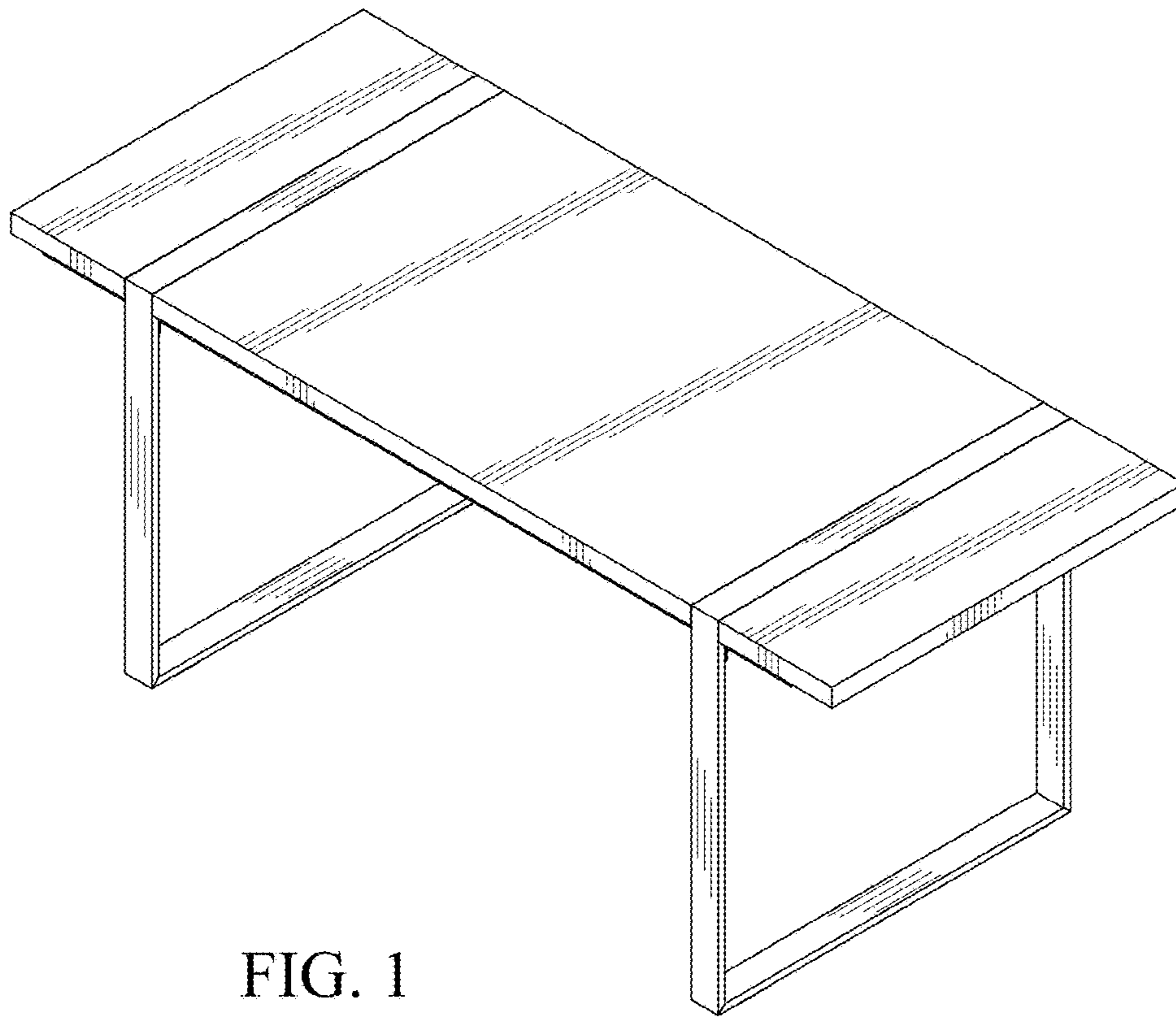


FIG. 1

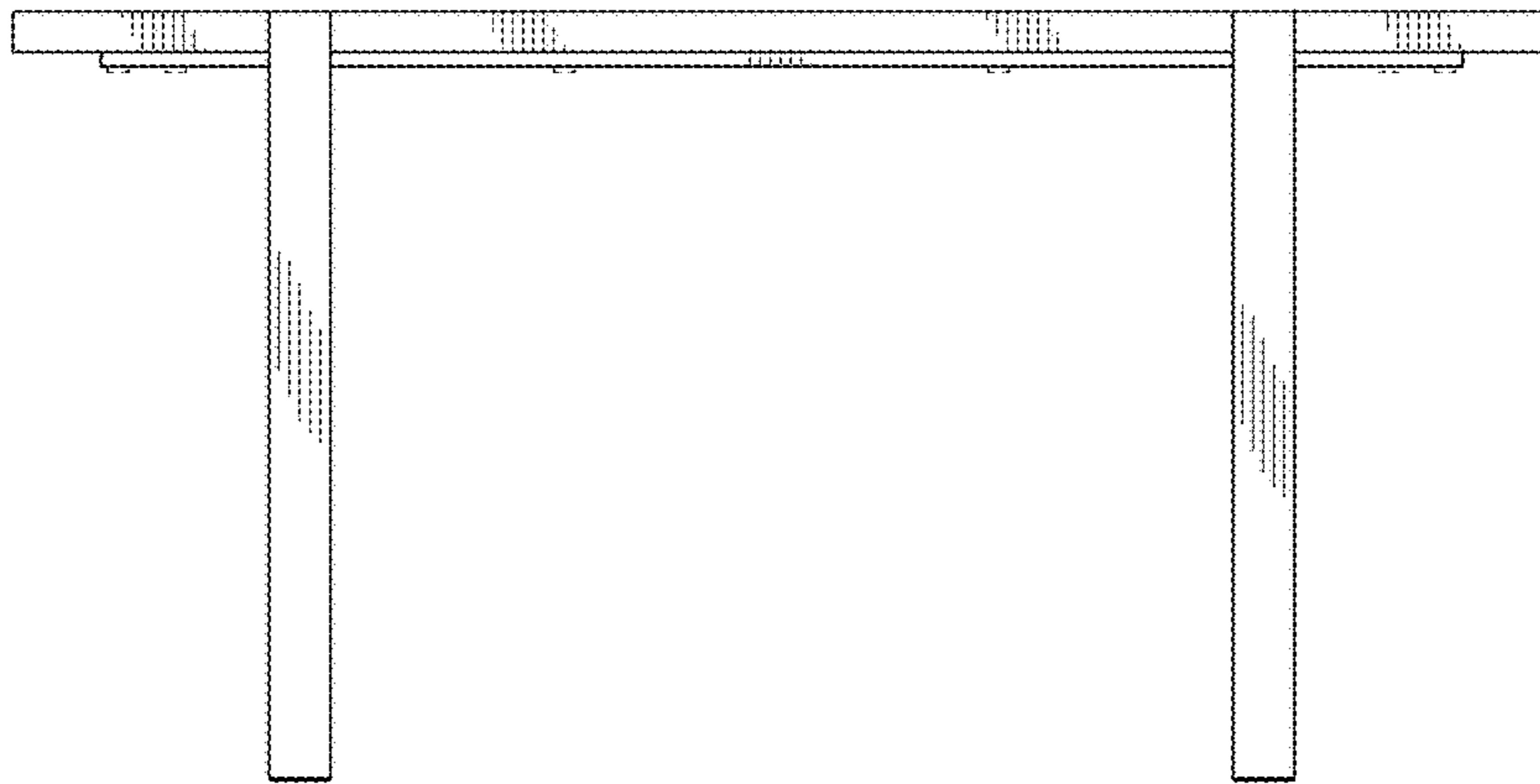


FIG. 2

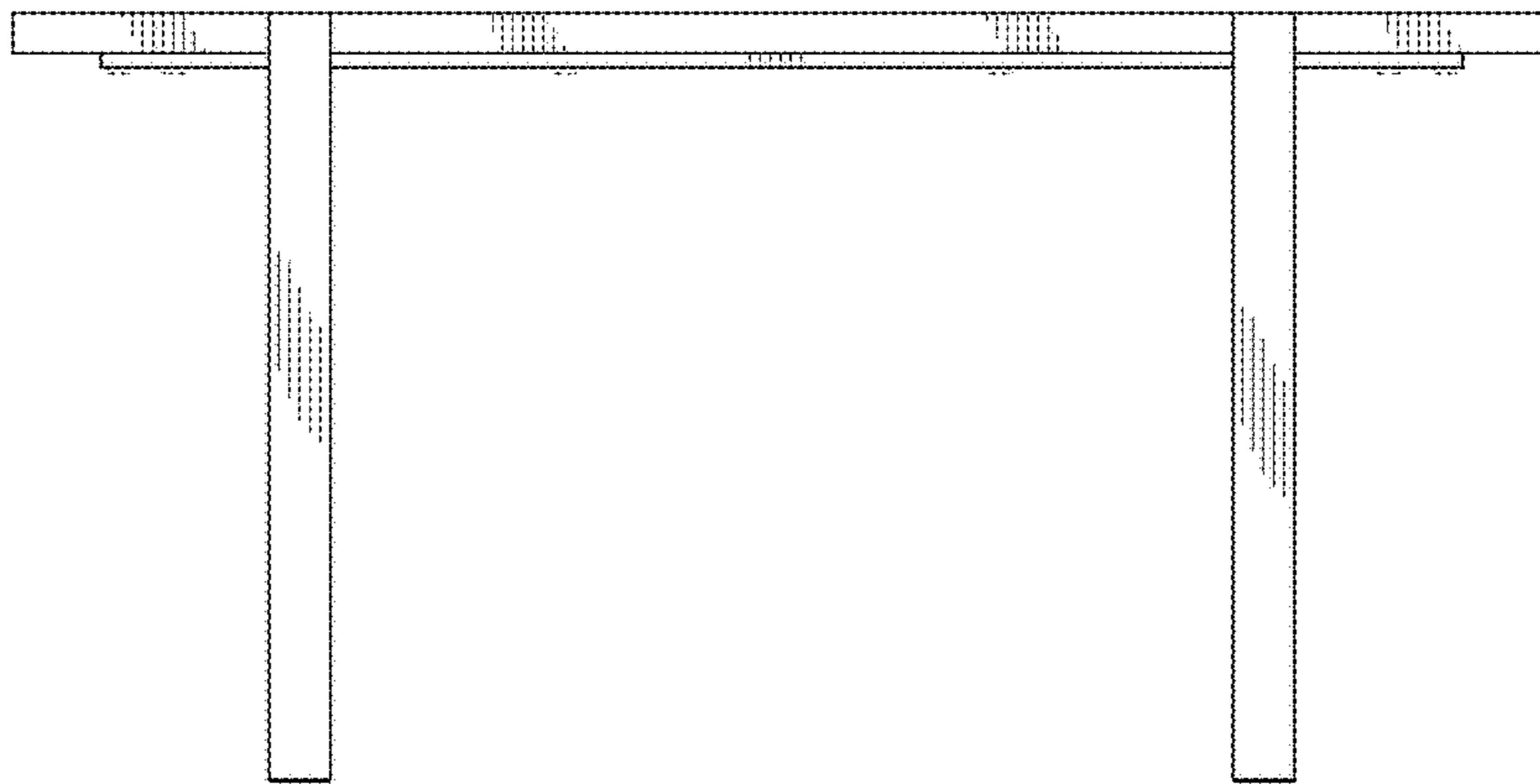


FIG. 3

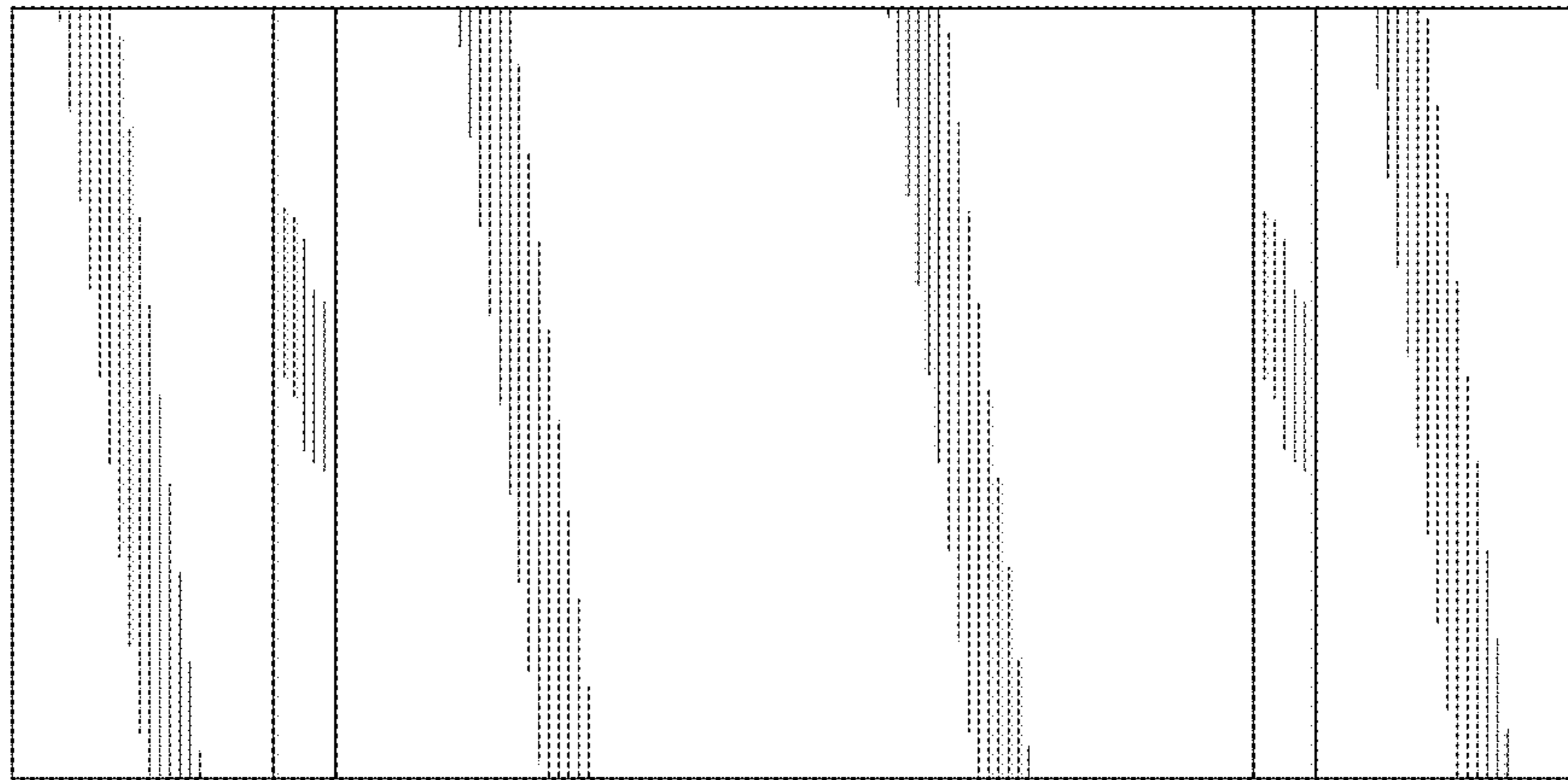


FIG. 4

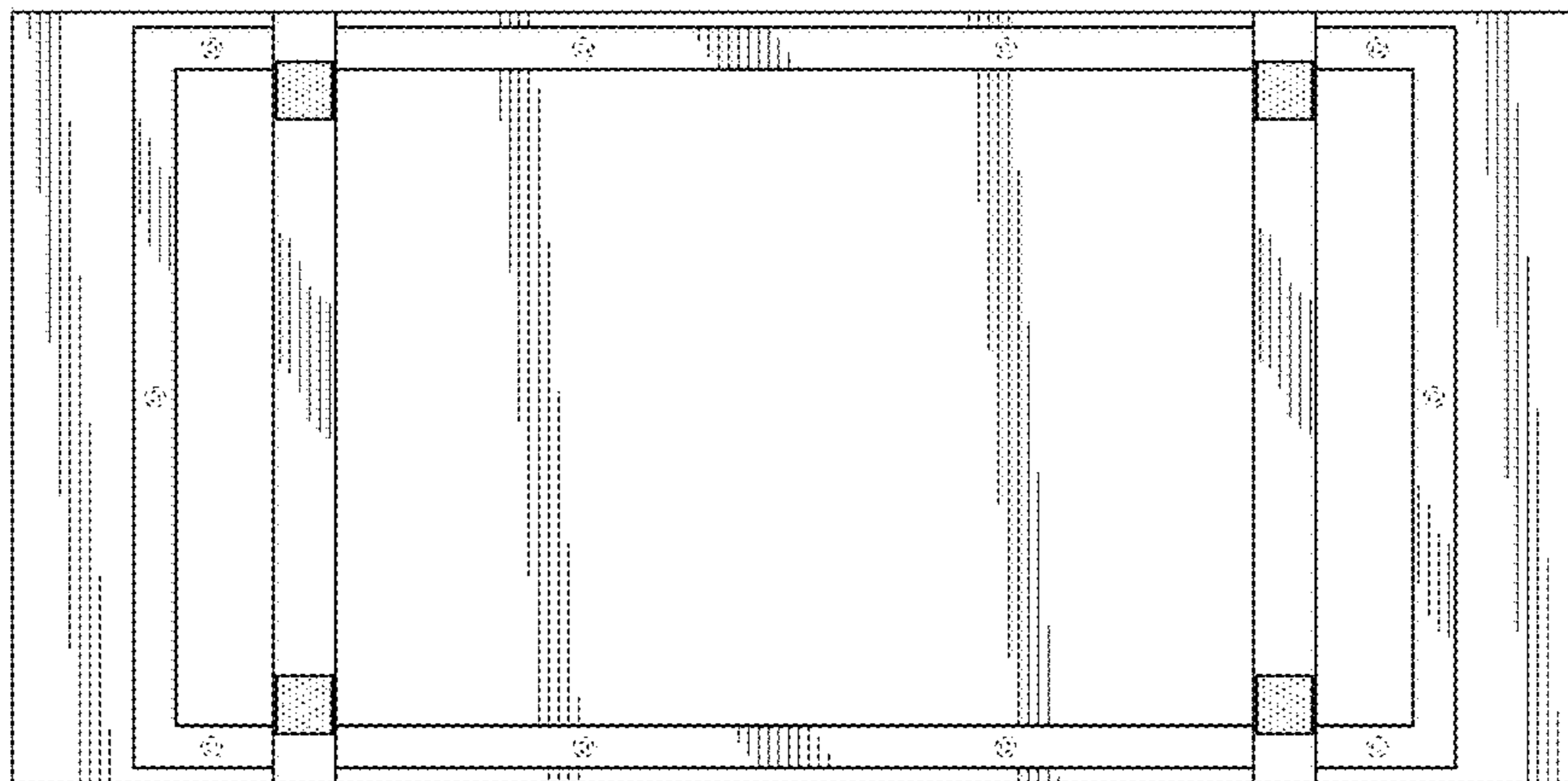


FIG. 5

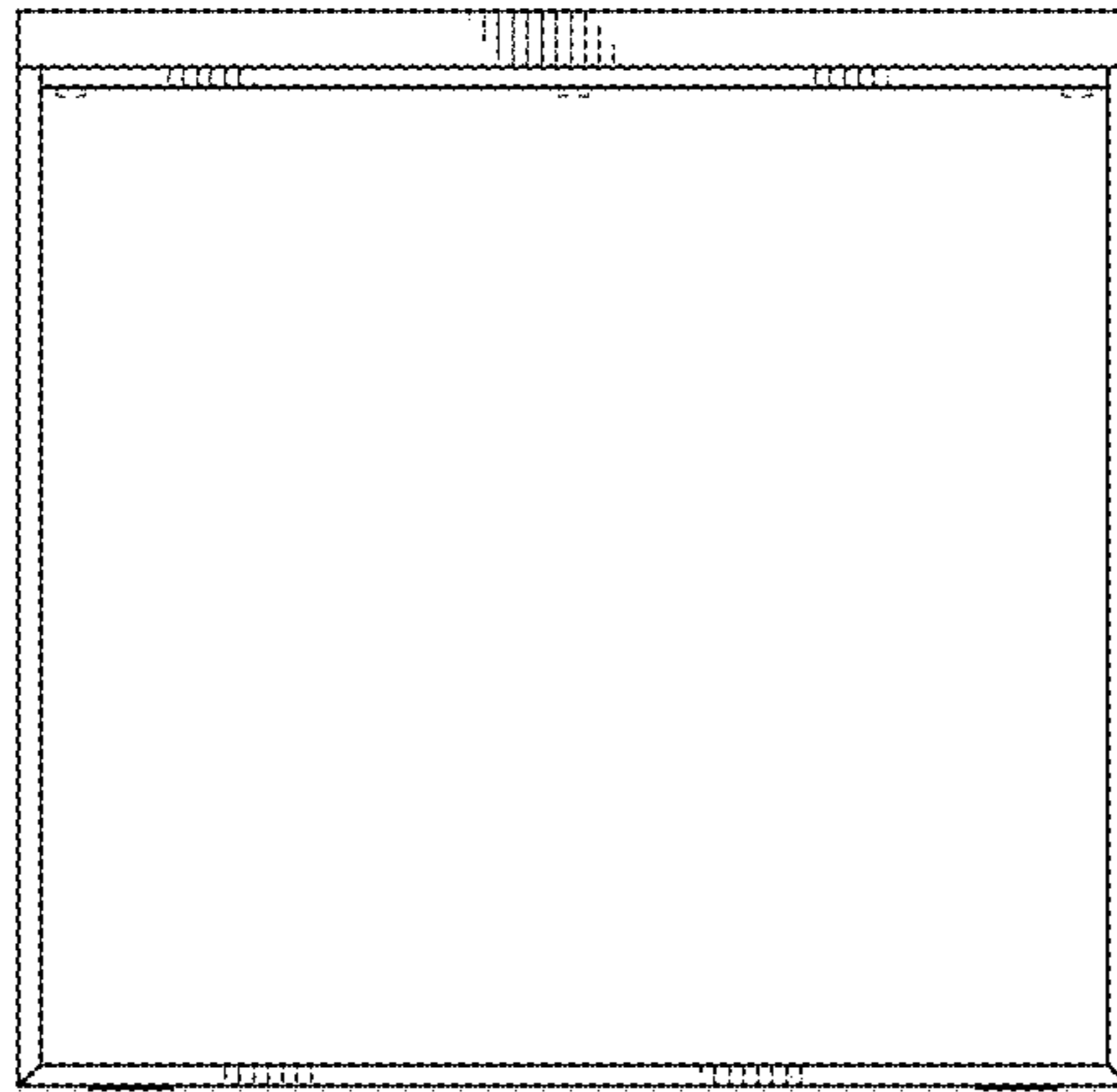


FIG. 6

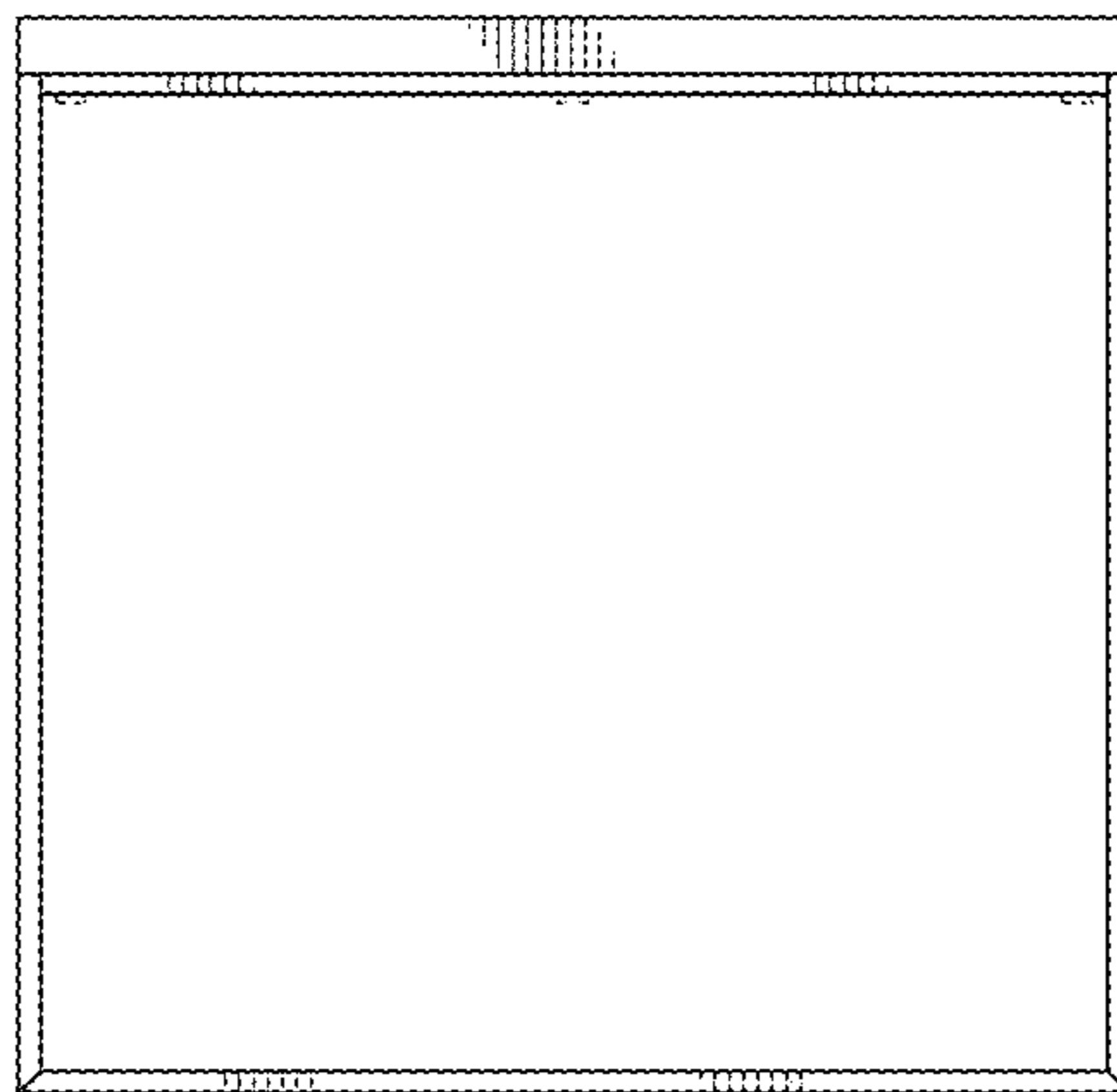


FIG. 7