



US00D862951S

(12) **United States Design Patent** (10) **Patent No.:** **US D862,951 S**
Angel (45) **Date of Patent:** **** *Oct. 15, 2019**

(54) **FOLDING TABLE**

(71) Applicant: **Camco Manufacturing, Inc.**,
Greensboro, NC (US)

(72) Inventor: **Bruce Andrew Angel**, Stokesdale, NC
(US)

(73) Assignee: **CAMCO Manufacturing, Inc.**,
Greensboro, NC (US)

(*) Notice: This patent is subject to a terminal disclaimer.

(**) Term: **14 Years**

(21) Appl. No.: **29/474,897**

(22) Filed: **Mar. 12, 2015**

(51) **LOC (12) Cl.** **06-03**

(52) **U.S. Cl.**
USPC **D6/691; D6/691.1**

(58) **Field of Classification Search**
USPC D6/691.1, 691, 691.3, 691.5, 691.8,
D6/691.9, 707.18, 349; 248/164;
108/119

CPC . F16B 7/105; A47B 7/00; A47B 13/00; A47B
13/02; A47B 13/06; A47B 13/04; A47B
13/08; A47B 13/088; A47B 2200/11;
A47B 2200/001; A47B 91/00; A47B
91/005

See application file for complete search history.

(56) **References Cited**

U.S. PATENT DOCUMENTS

- 3,646,895 A * 3/1972 Campbell A47B 3/02
108/118
- 5,542,359 A * 8/1996 Polries A47B 37/00
108/119
- 5,647,285 A * 7/1997 Steward A47B 3/02
108/119
- D394,361 S * 5/1998 Adams D6/691.1

- D406,708 S * 3/1999 Hilton D6/349
- D441,554 S * 5/2001 Holm D6/349
- D458,474 S * 6/2002 Hecht D6/349
- D546,096 S * 7/2007 Kreiss D6/691
- D546,588 S * 7/2007 Massaud D6/691
- D556,473 S * 12/2007 Good D6/691.1
- D563,122 S * 3/2008 Kreiss D6/691
- D688,901 S * 9/2013 Colson D6/656
- D727,642 S * 4/2015 Mark D6/349
- D728,980 S * 5/2015 Asner D6/691.1
- D736,529 S * 8/2015 Cohen D6/349
- D749,345 S * 2/2016 Everson D6/691.1
- D749,863 S * 2/2016 Cohen D6/349
- 2002/0083870 A1* 7/2002 Chen A47B 3/02
108/119
- 2015/0108296 A1* 4/2015 Van Dyne F16B 7/105
248/164

* cited by examiner

Primary Examiner — Catherine R Oliver-Garcia

Assistant Examiner — J. Thorn, Sr.

(74) *Attorney, Agent, or Firm* — Tuggle Duggins P.A.;
Blake P. Hurt

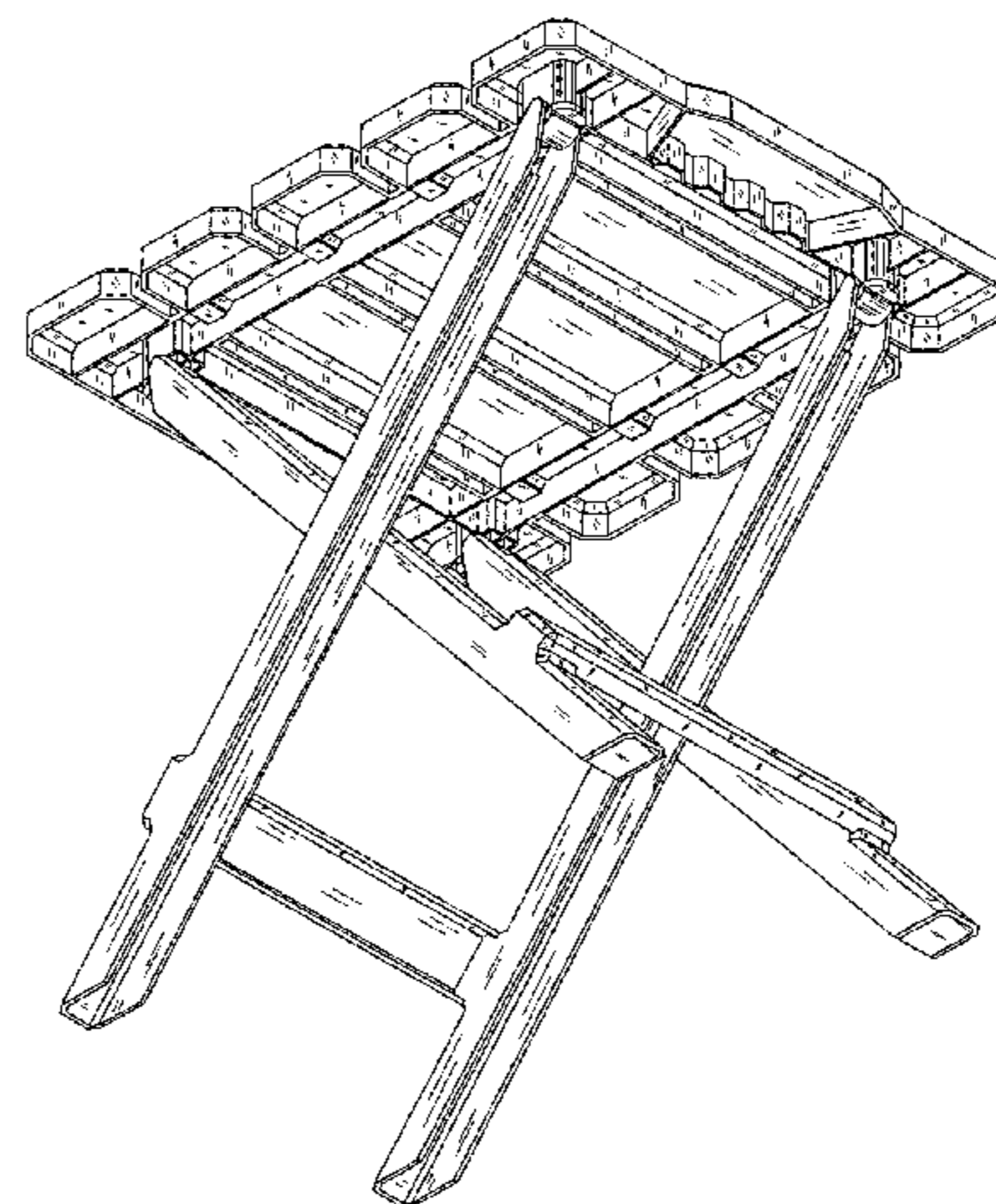
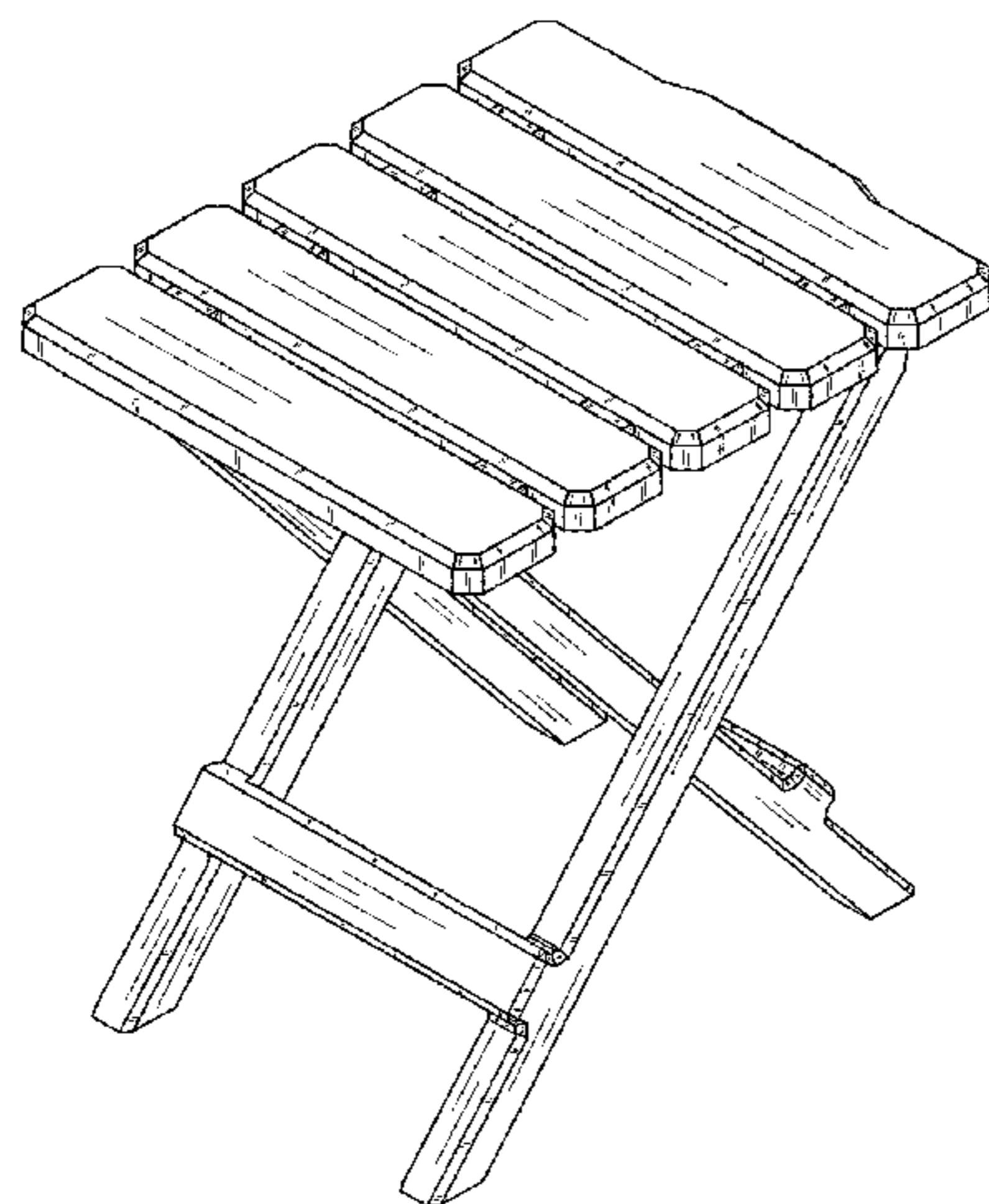
(57) **CLAIM**

The ornamental design for a folding table, as shown and described.

DESCRIPTION

FIG. 1 is a Front, Top, Right perspective view of a folding table shown in a collapsed position;
 FIG. 2 is a Front, Top, Right perspective view of a folding table shown in an expanded position;
 FIG. 3 is a Right Side Elevational view of FIG. 2;
 FIG. 4 is a Left Side Elevational view of FIG. 2;
 FIG. 5 is a Top plan view of FIG. 2;
 FIG. 6 is a Bottom plan view of FIG. 2;
 FIG. 7 is a Front Elevational view of FIG. 2;
 FIG. 8 is a Back Elevational view of FIG. 2; and,
 FIG. 9 is a Rear, Bottom, Right perspective view of FIG. 2, according to the invention.

1 Claim, 9 Drawing Sheets



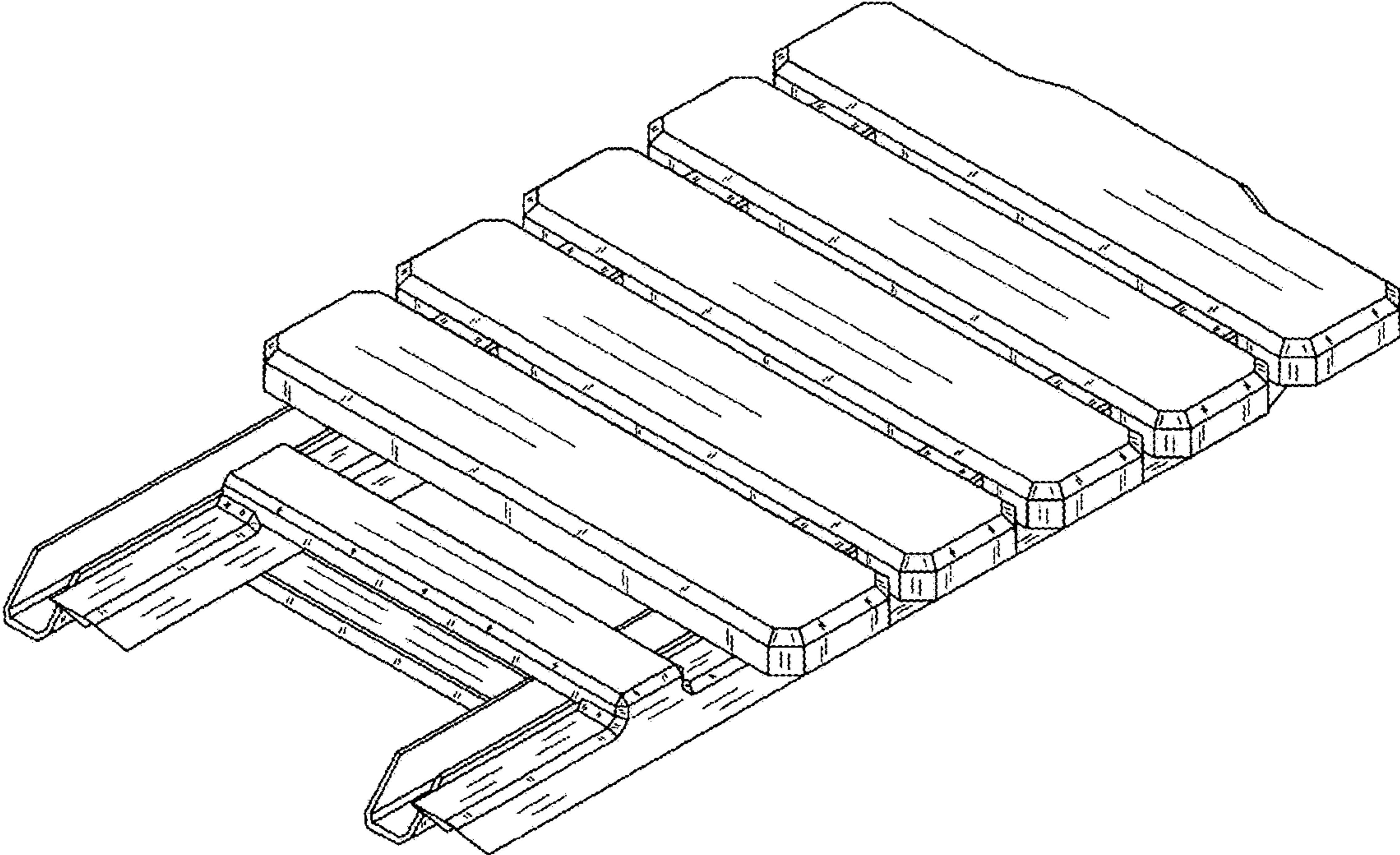


Fig. 1

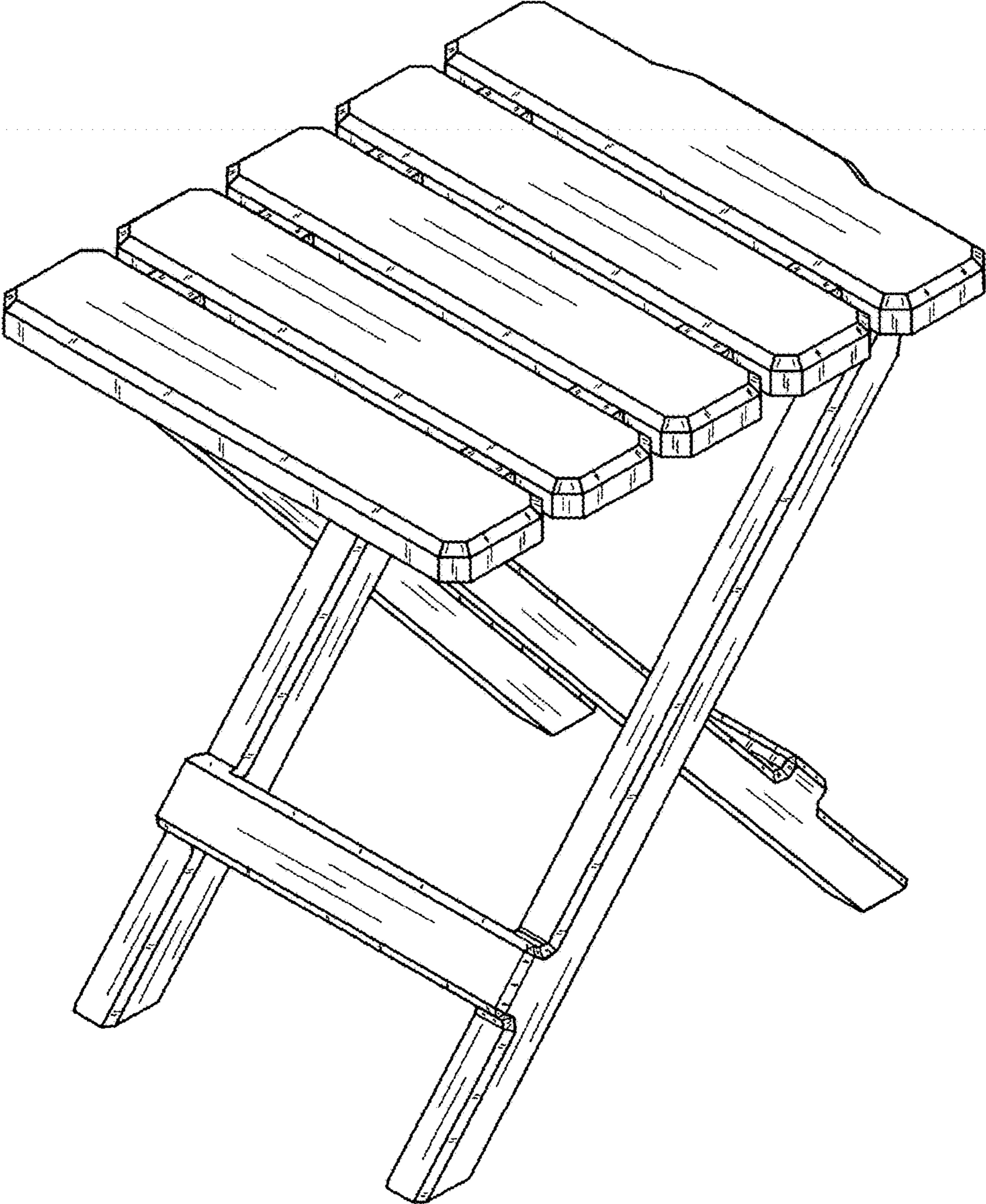


Fig. 2

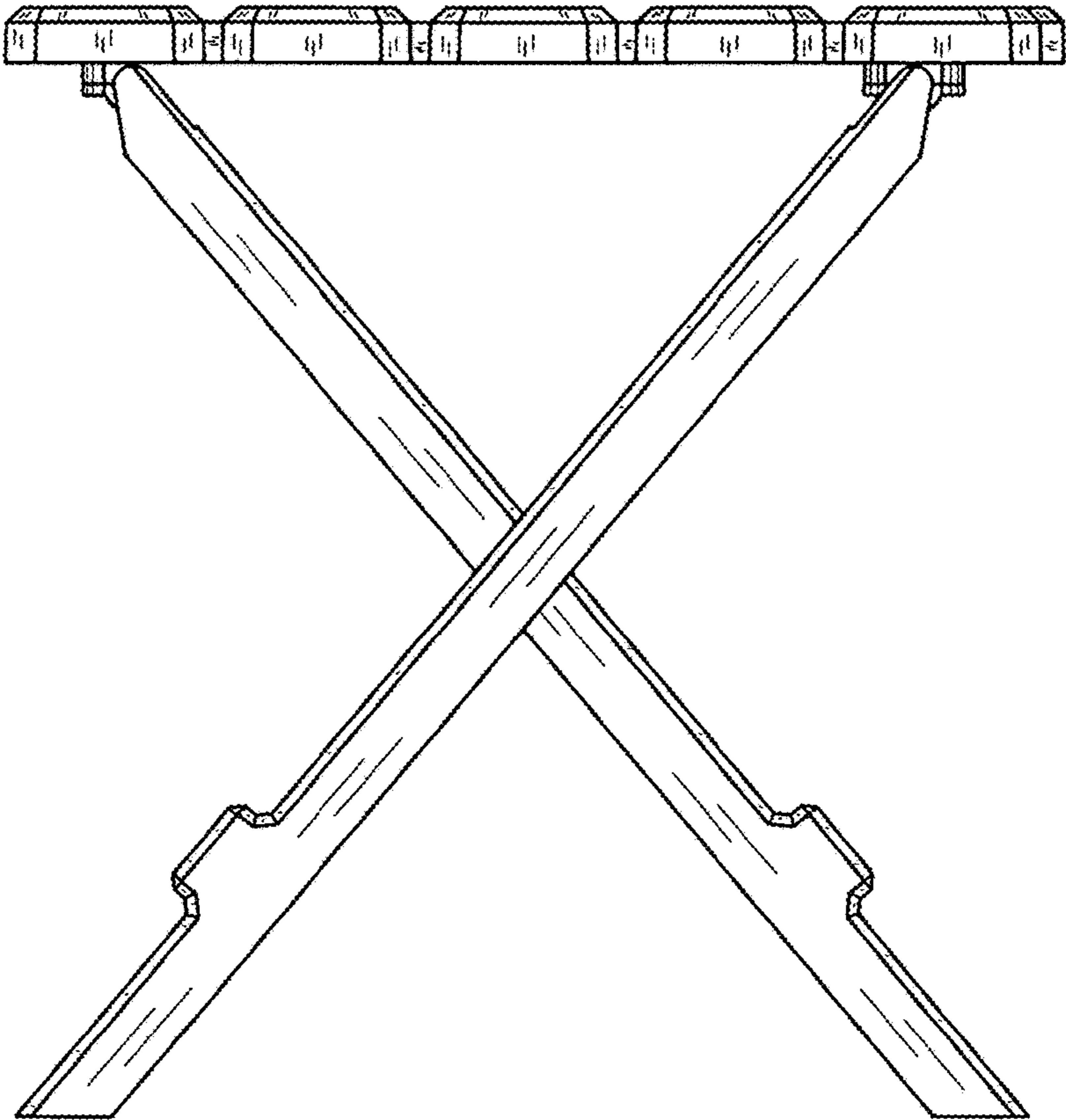


Fig. 3

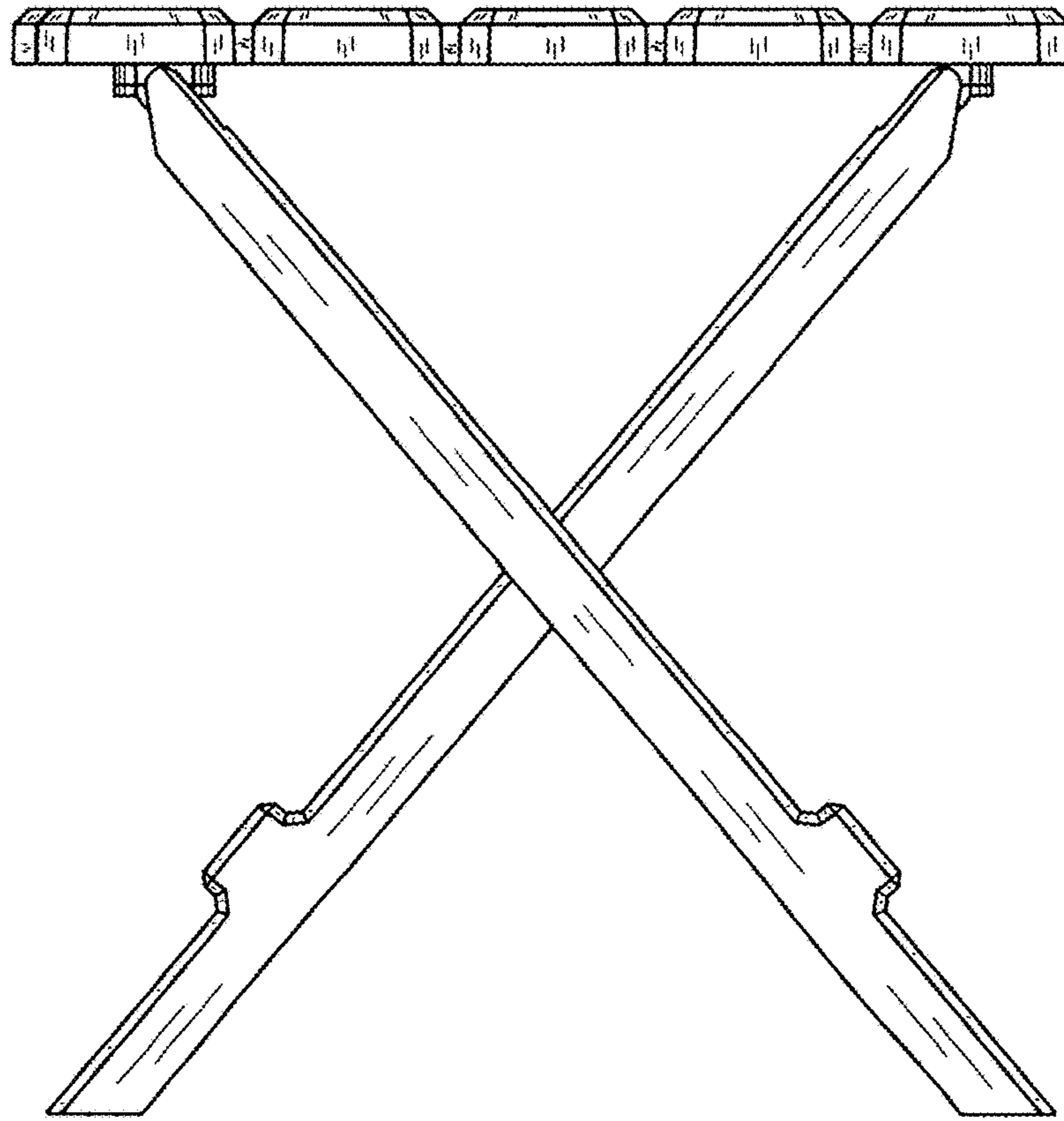


Fig. 4

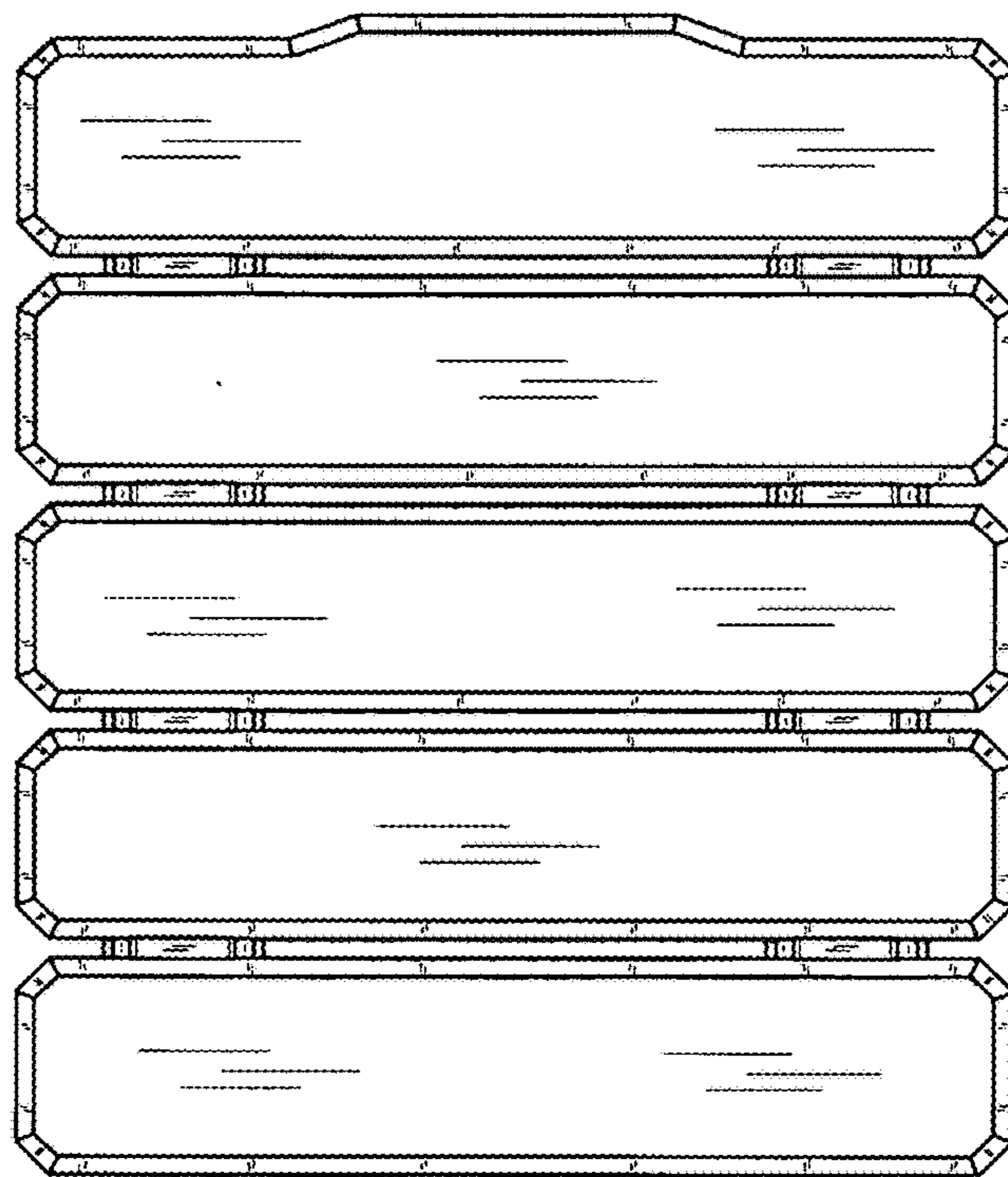


Fig. 5

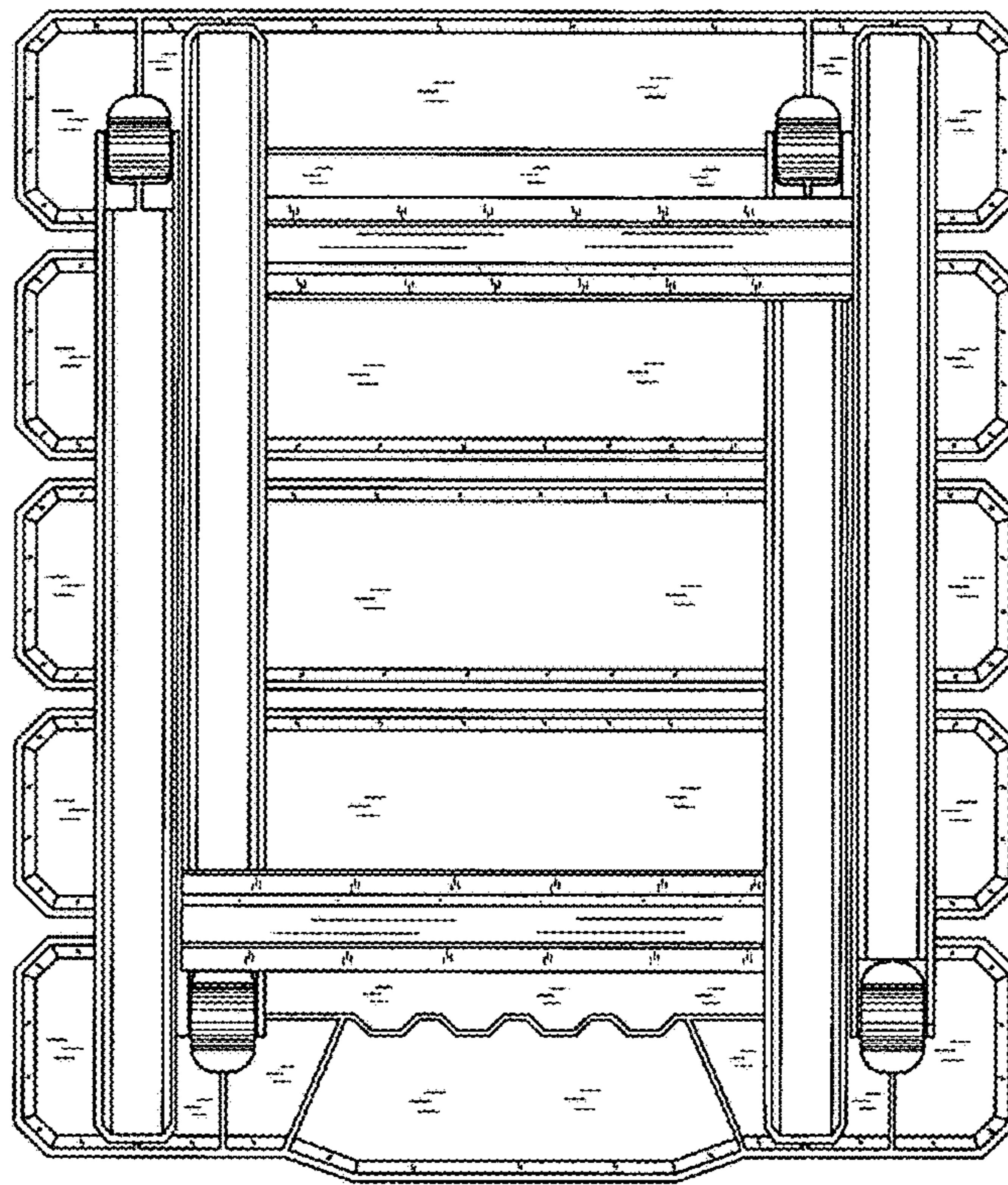


Fig. 6

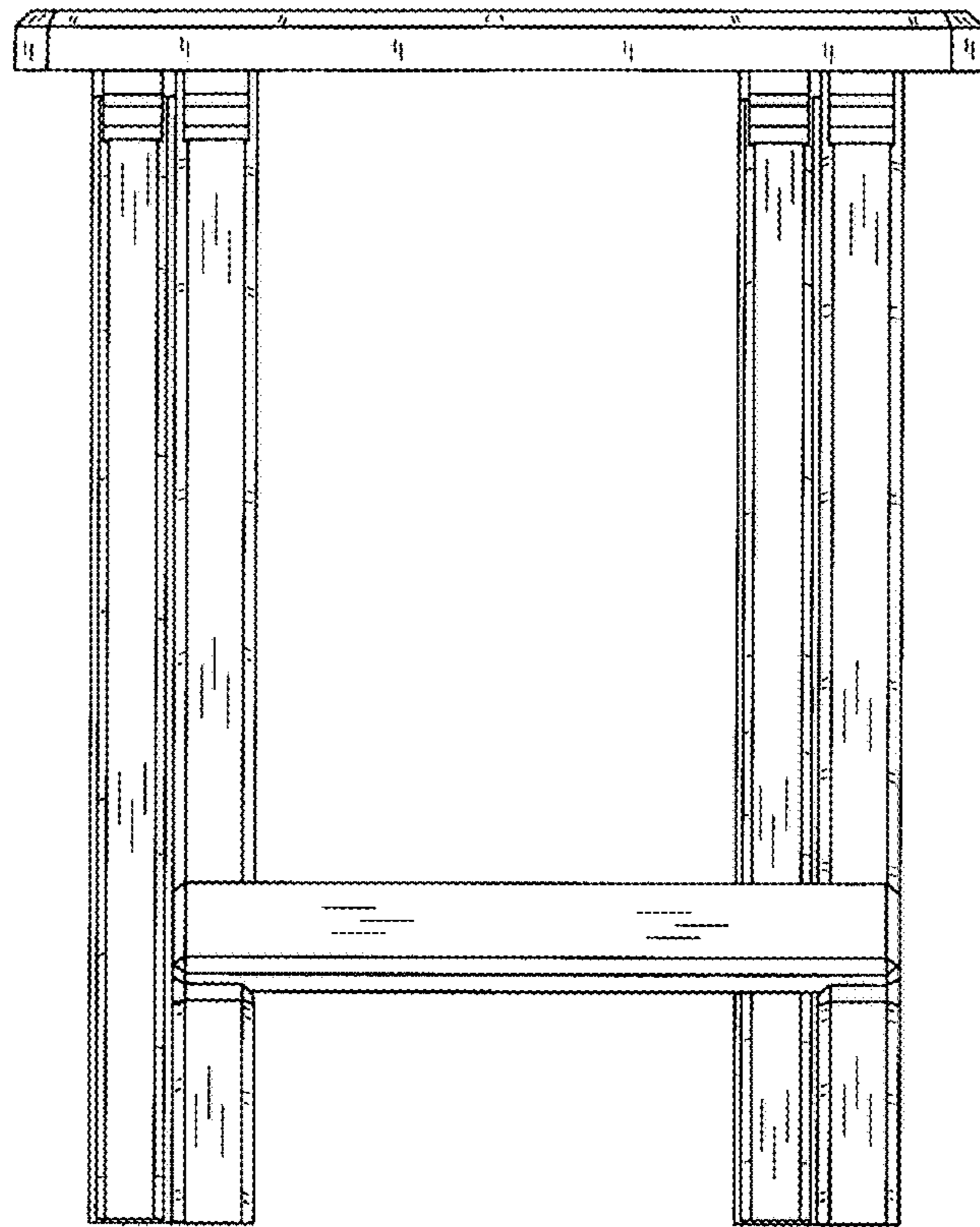


Fig. 7

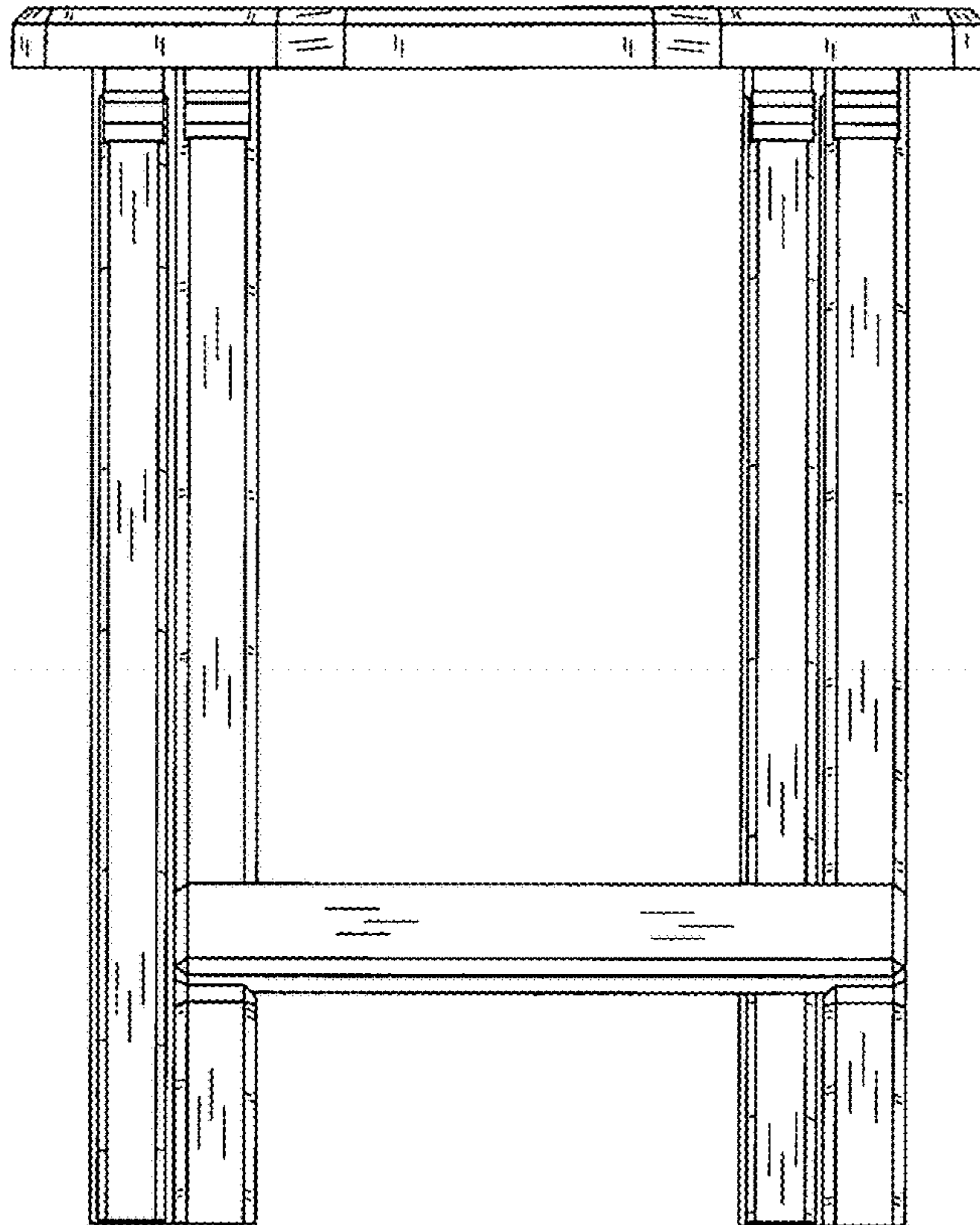


Fig. 8

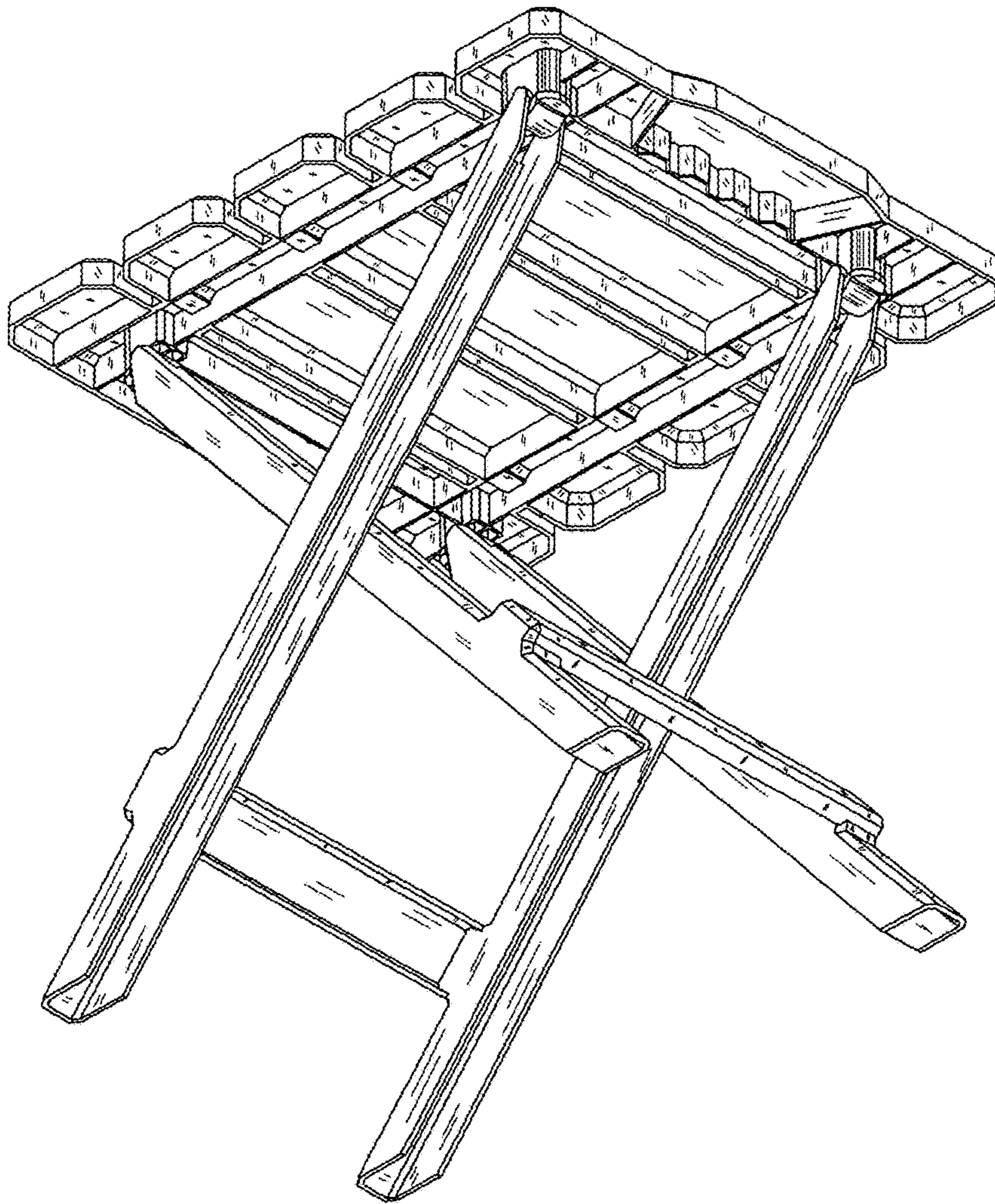


Fig. 9