

US00D862949S

(12) **United States Design Patent**
Ghiorghie

(10) **Patent No.:** **US D862,949 S**

(45) **Date of Patent:** **** Oct. 15, 2019**

- (54) **SHELF**
- (71) Applicant: **InterDesign, Inc.**, Solon, OH (US)
- (72) Inventor: **Radu Alexandru Ghiorghie**, Copley, OH (US)
- (73) Assignee: **InterDesign, Inc.**, Solon, OH (US)
- (**) Term: **15 Years**
- (21) Appl. No.: **29/673,653**
- (22) Filed: **Dec. 17, 2018**

D369,483 S *	5/1996	Kandel	D6/566
D455,030 S *	4/2002	Harwanko	D6/675.1
D463,697 S *	10/2002	Klein	D6/514
D493,660 S *	8/2004	Goodman	D6/566
D530,948 S *	10/2006	Snell	D6/525
D542,058 S *	5/2007	Clucas	D6/675.2
D588,840 S *	3/2009	Dretzka	D6/525
8,522,987 B2 *	9/2013	Lim	A47B 47/00 211/134
D699,478 S *	2/2014	Snider	D6/566
D752,906 S *	4/2016	Gunderson	D6/675.1
D760,515 S *	7/2016	Snider	D6/675.2
D769,074 S *	10/2016	Tsai	D28/61
D815,470 S *	4/2018	Kraemer	D6/675.2
D839,641 S *	2/2019	Cao	D6/675.2

(Continued)

Related U.S. Application Data

- (63) Continuation of application No. 29/595,931, filed on Mar. 3, 2017, now Pat. No. Des. 838,508.
- (51) **LOC (12) Cl.** **06-06**
- (52) **U.S. Cl.**
USPC **D6/675.2**
- (58) **Field of Classification Search**
USPC D6/675.2, 675, 675.1; D34/12, 27;
D3/304, 306, 307, 308, 314; 211/13.1,
211/74, 71.01, 86.01, 75, 88.01, 90.01,
211/90.03, 106, 119, 126.1, 133.5, 181.1,
211/134; 248/153, 235, 243;
108/147.11, 147.13, 109
CPC . A47B 63/00; A47B 2210/04; A47B 2210/05;
A47F 5/0018; A47F 5/01
See application file for complete search history.

Primary Examiner — David G Muller

Assistant Examiner — Nathan M Johnston

(74) *Attorney, Agent, or Firm* — Calfee, Halter & Griswold, LLP

(57) **CLAIM**

The ornamental design for a shelf, as shown and described.

DESCRIPTION

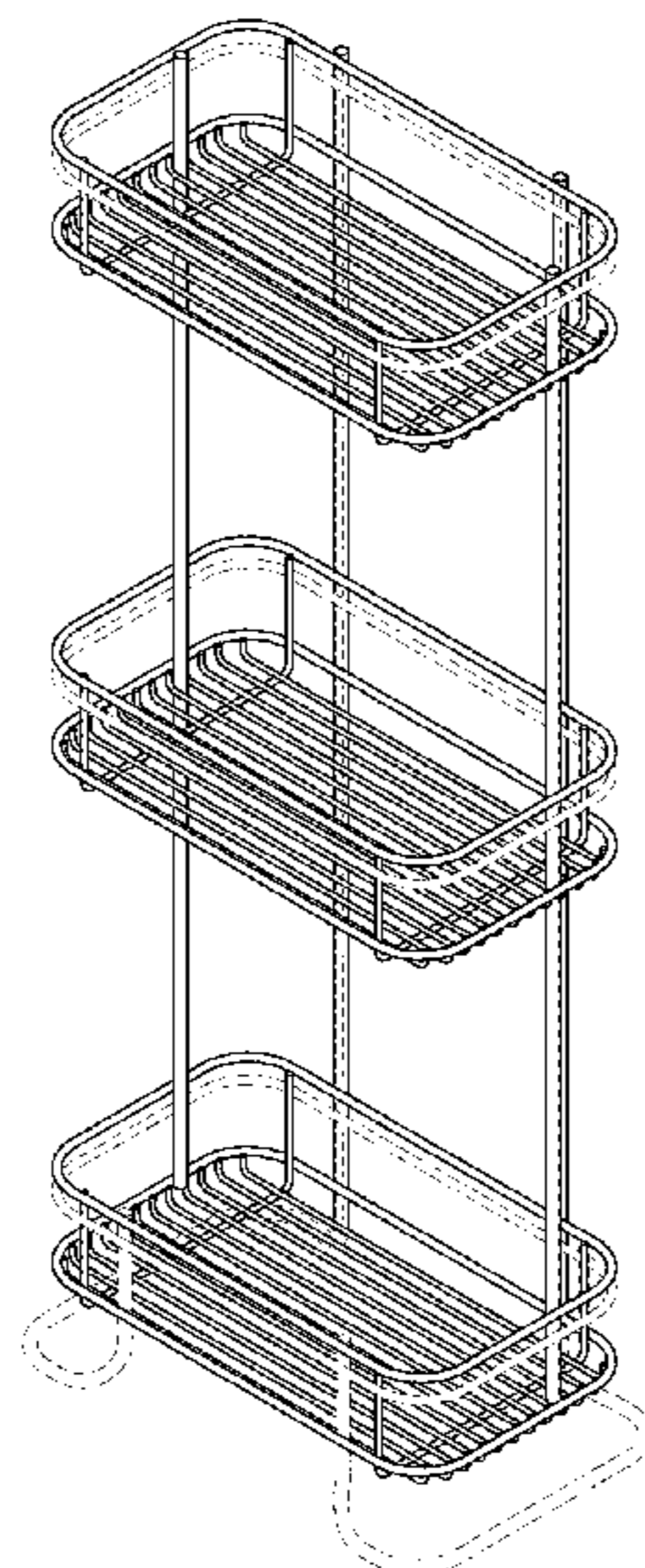
FIG. 1 is a front/right/top perspective view of a shelf showing my new design; a front/left/top perspective view would be a mirror image thereof;
 FIG. 2 is a back/right/bottom perspective view thereof; a back/left/bottom perspective view would be a mirror image thereof;
 FIG. 3 is a top plan view thereof;
 FIG. 4 is a left elevational view; a right elevational view would be a mirror image thereof;
 FIG. 5 is a front elevational view;
 FIG. 6 is a rear elevational view; and,
 FIG. 7 is a bottom plan view thereof.
 The broken lines depict portions that form no part of the claimed design.

(56) **References Cited**

U.S. PATENT DOCUMENTS

2,913,128 A *	11/1959	Milner	A47B 55/02 108/181
D292,764 S *	11/1987	Kester	D6/675.2
4,978,013 A *	12/1990	Hogg	A47F 5/13 211/132.1

1 Claim, 4 Drawing Sheets



(56)

References Cited

U.S. PATENT DOCUMENTS

2006/0032829 A1* 2/2006 Hutzler A47B 13/02
211/187
2007/0029273 A1* 2/2007 Dean A47B 96/02
211/183
2010/0243591 A1* 9/2010 Kessell A47B 57/26
211/134
2010/0288717 A1* 11/2010 Morandi A47B 43/00
211/187
2011/0042336 A1* 2/2011 Cheng A47B 57/40
211/153
2011/0240571 A1* 10/2011 Ho A47B 47/021
211/13.1
2011/0253659 A1* 10/2011 Jarvis A47B 47/045
211/153
2013/0200027 A1* 8/2013 Neumann A47B 45/00
211/153
2015/0069000 A1* 3/2015 Rosen A47B 47/0083
211/186

* cited by examiner

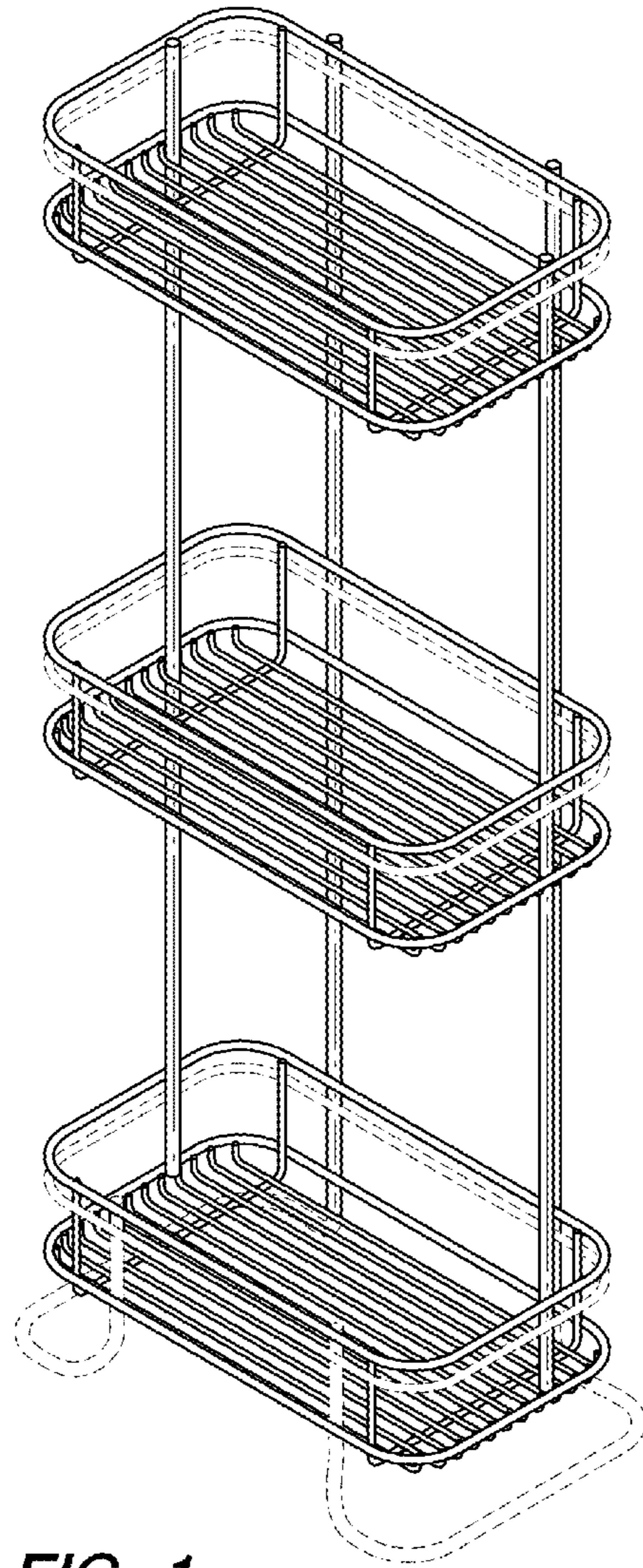


FIG. 1

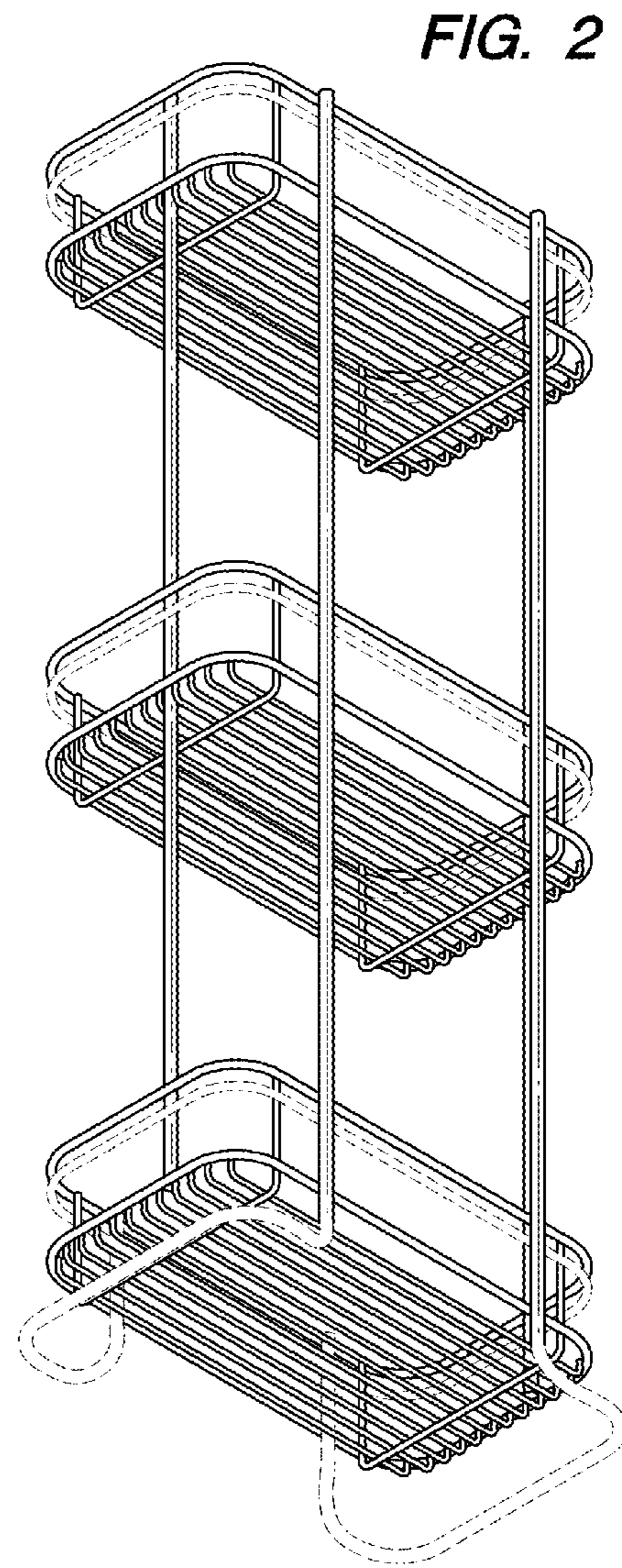


FIG. 2

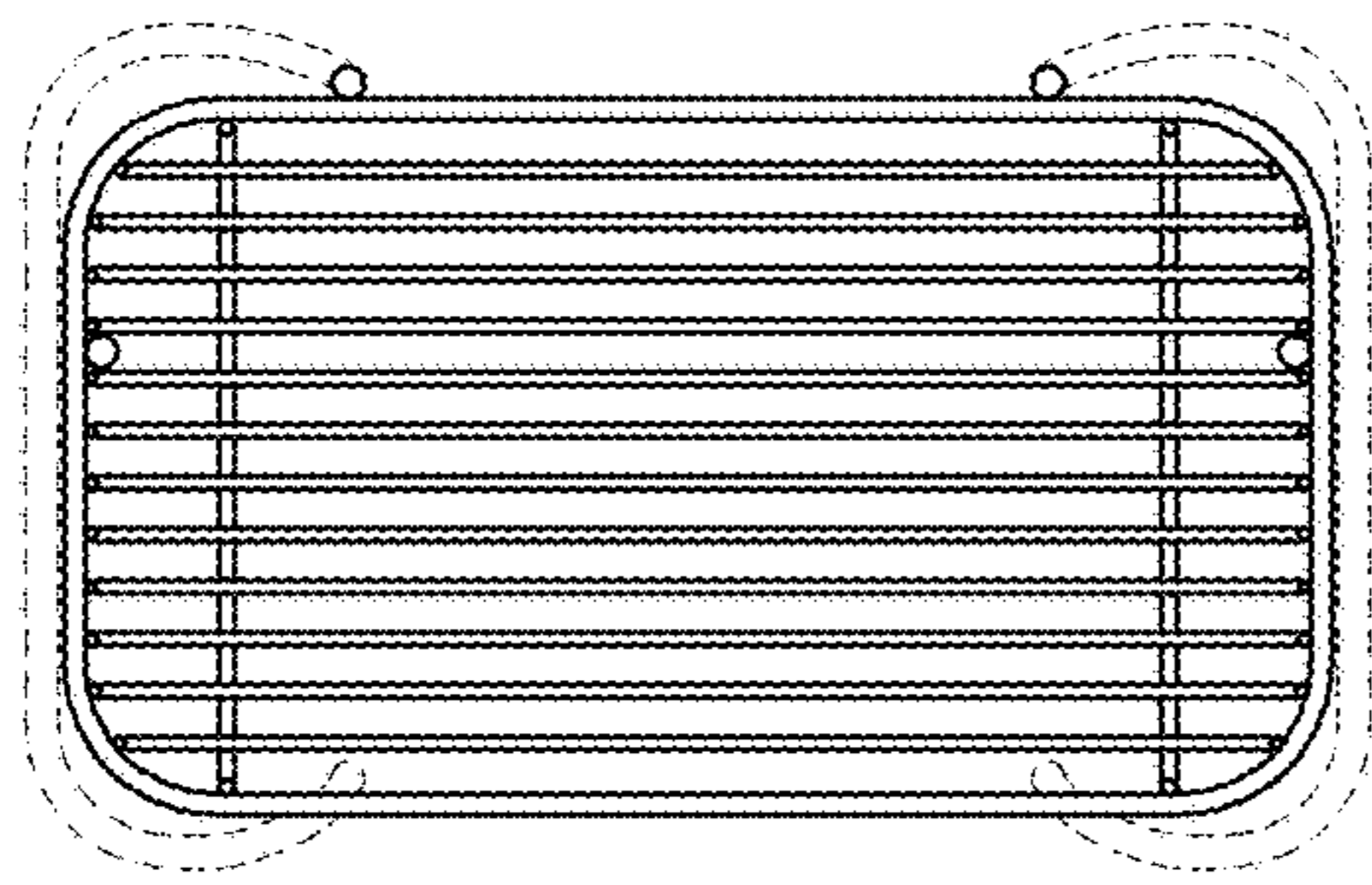


FIG. 3

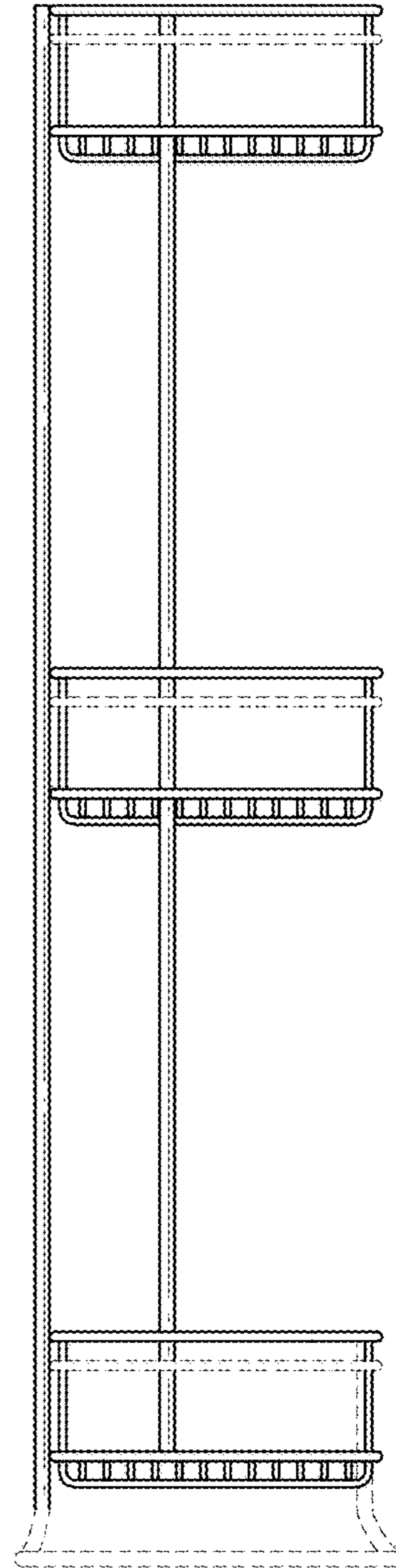


FIG. 4

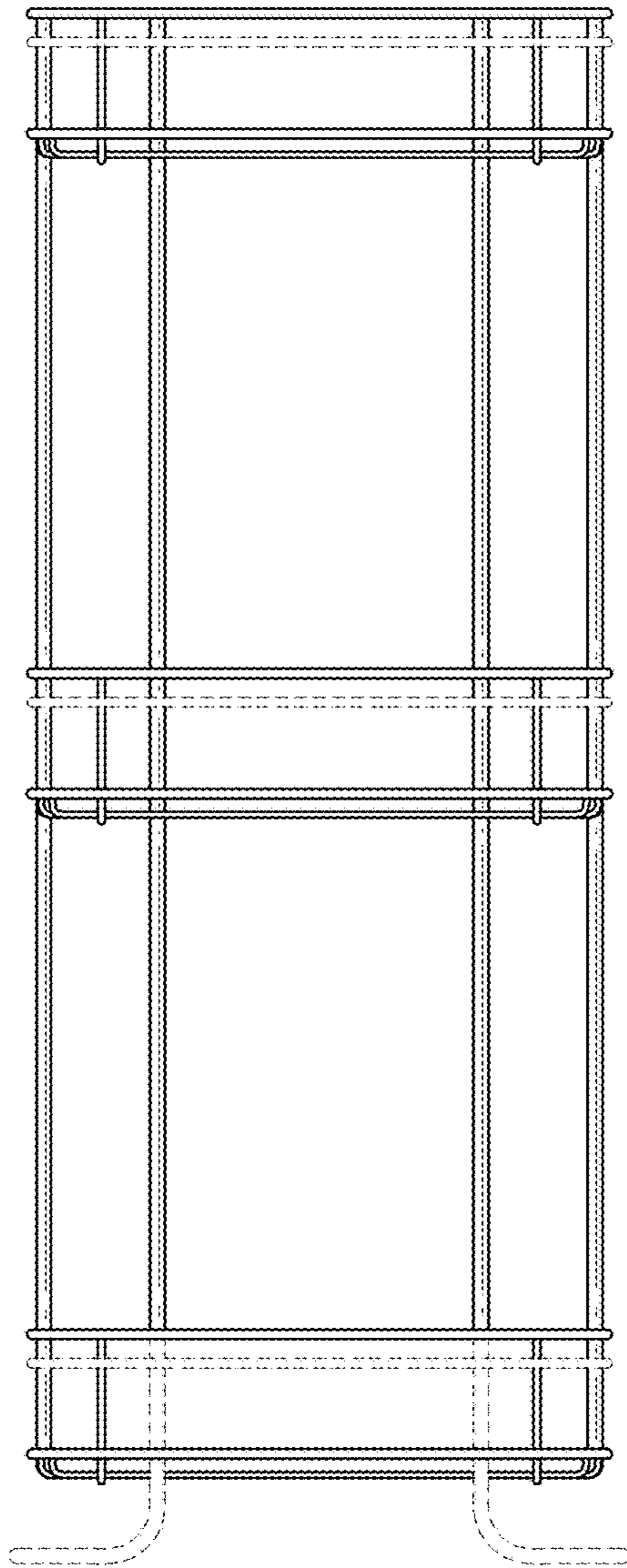


FIG. 5

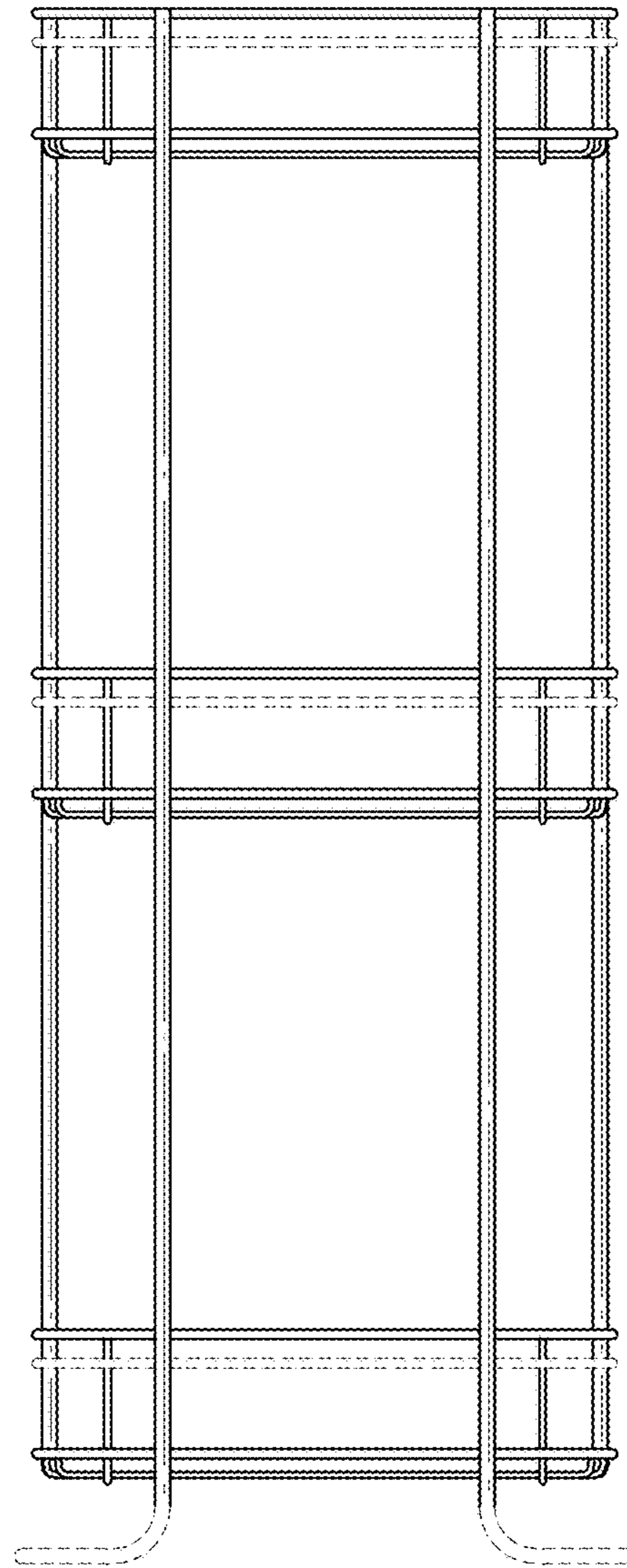


FIG. 6

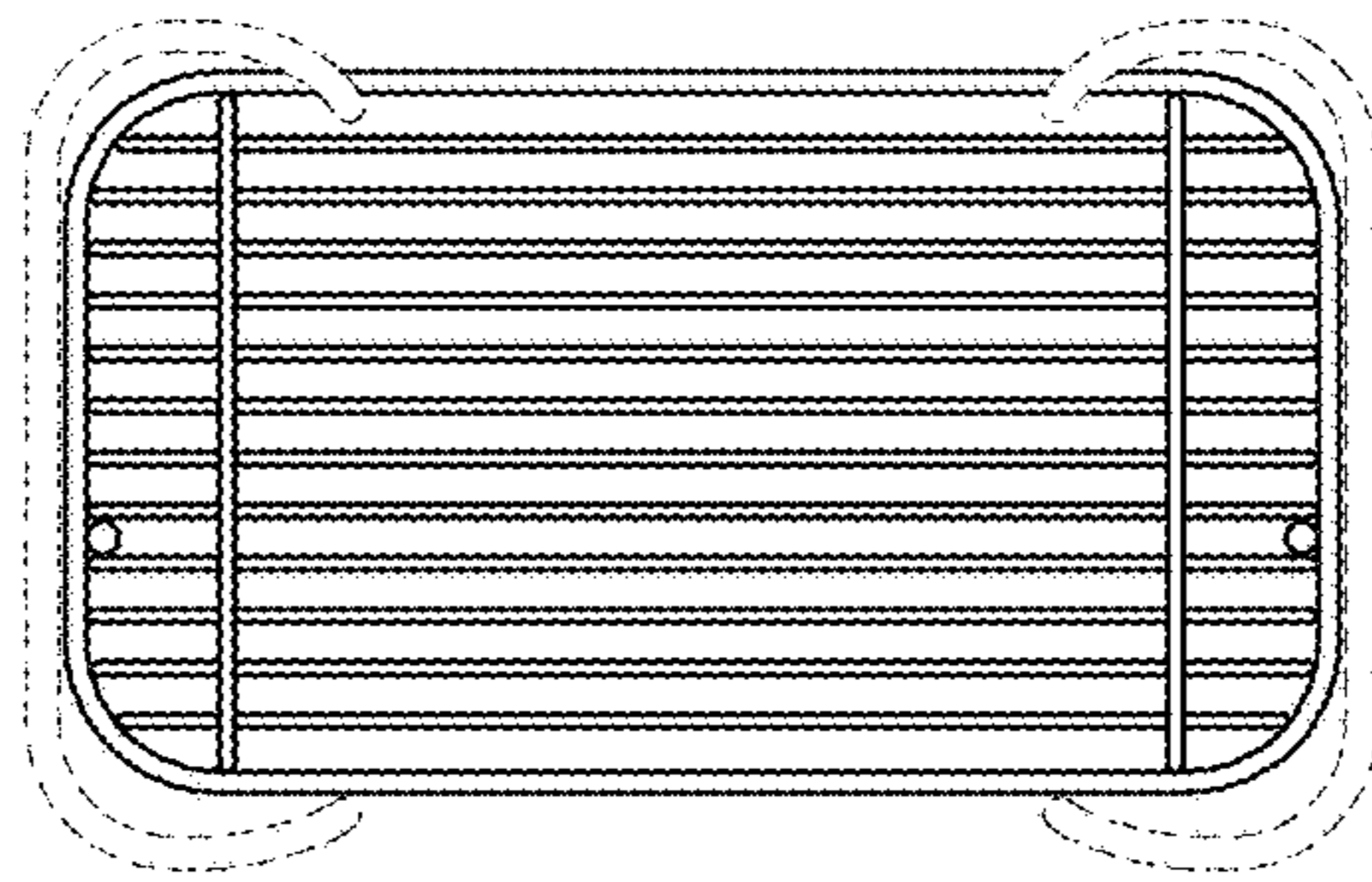


FIG. 7