

US00D862943S

(12) **United States Design Patent**  
**Nakamura et al.**

(10) **Patent No.:** **US D862,943 S**

(45) **Date of Patent:** **\*\* Oct. 15, 2019**

(54) **NIGHTSTAND**

(71) Applicant: **Williams-Sonoma, Inc.**, San Francisco, CA (US)

(72) Inventors: **Evan Nakamura**, Walnut Creek, CA (US); **Kasey Hovencamp**, Sausalito, CA (US); **Allison Spampinato**, Fairfax, CA (US)

(73) Assignee: **Williams-Sonoma, Inc.**, San Francisco, CA (US)

(\*\*) Term: **15 Years**

(21) Appl. No.: **29/660,906**

(22) Filed: **Aug. 23, 2018**

(51) **LOC (12) Cl.** ..... **06-04**

(52) **U.S. Cl.**  
USPC ..... **D6/671.1**

(58) **Field of Classification Search**  
USPC ..... D6/657, 662, 663, 669, 671, 671.1, 672, D6/675, 675.1  
CPC ..... A47B 46/00; A47B 47/00; A47B 47/022; A47B 47/02; A47B 47/04; A47B 55/00; A47B 67/00; A47B 67/02; A47B 67/04  
See application file for complete search history.

(56) **References Cited**

**U.S. PATENT DOCUMENTS**

D116,245 S \* 8/1939 Shurcliff ..... D6/671.1  
D182,838 S \* 5/1958 Lubberts et al. .... D6/671.1

D235,717 S \* 7/1975 Donner ..... D6/671  
D235,718 S \* 7/1975 Donner ..... D6/671.1  
D286,959 S \* 12/1986 Doezema ..... D6/671  
D301,417 S \* 6/1989 Wistehuff ..... D6/671.1  
D455,290 S \* 4/2002 O'Hare ..... D6/671.1  
D455,291 S \* 4/2002 Jeup ..... D6/671.1  
D813,573 S \* 3/2018 Hannoosh ..... D6/671  
D815,466 S \* 4/2018 Hannoosh ..... D6/671.1  
D816,376 S \* 5/2018 Burden ..... D6/671  
D818,744 S \* 5/2018 Burden ..... D6/663

\* cited by examiner

*Primary Examiner* — R. Johnson

(74) *Attorney, Agent, or Firm* — Cook Alex Ltd.; R. Blake Johnston

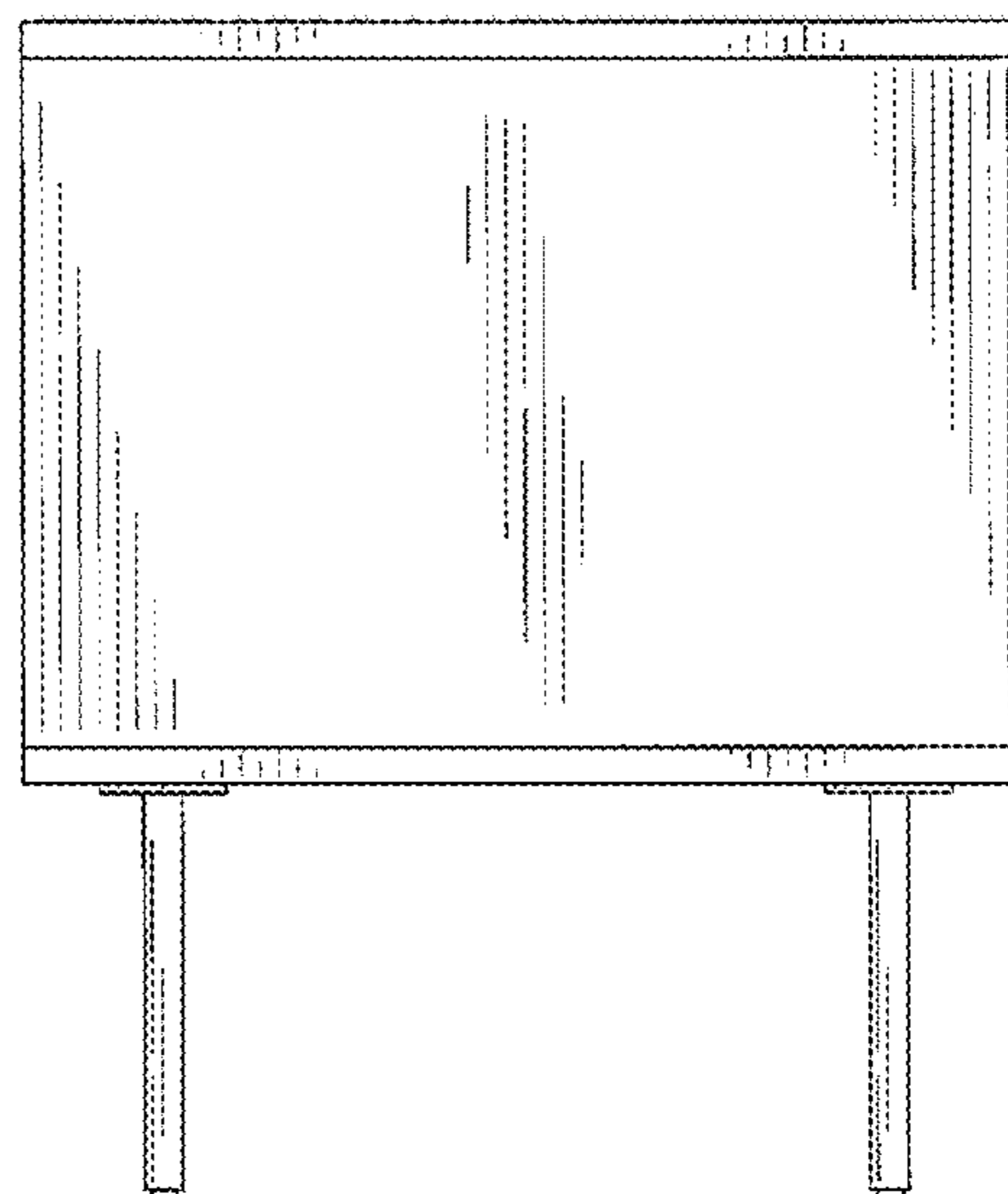
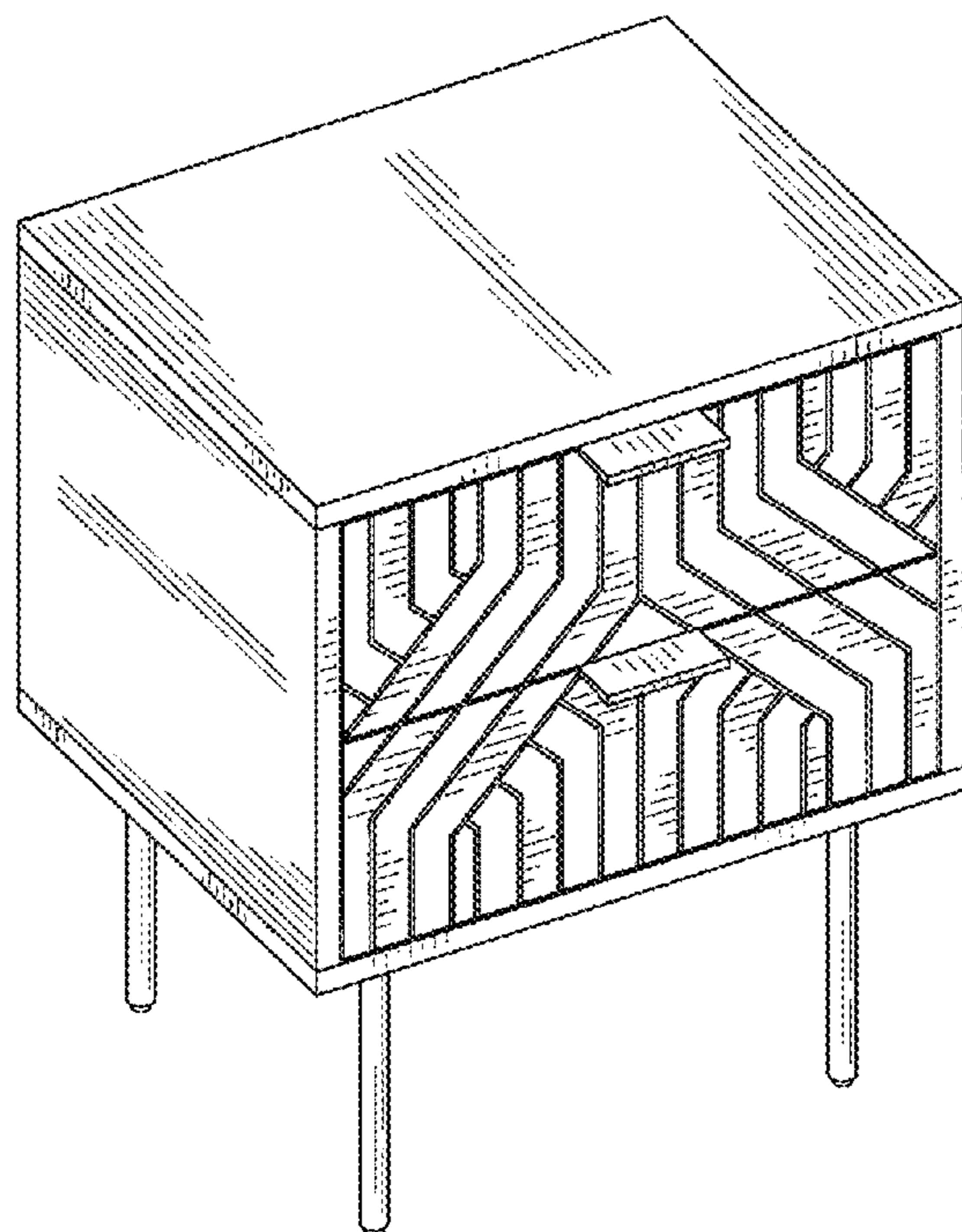
(57) **CLAIM**

The ornamental design for a nightstand, as shown and described.

**DESCRIPTION**

FIG. 1 is a perspective view of the nightstand;  
FIG. 2 is a front elevational view of the nightstand;  
FIG. 3 is a rear elevational view of the nightstand;  
FIG. 4 is a left side elevational view of the nightstand;  
FIG. 5 is a right side elevational view of the nightstand;  
FIG. 6 is a top plan view of the nightstand; and,  
FIG. 7 is a bottom plan view of the nightstand.

**1 Claim, 4 Drawing Sheets**



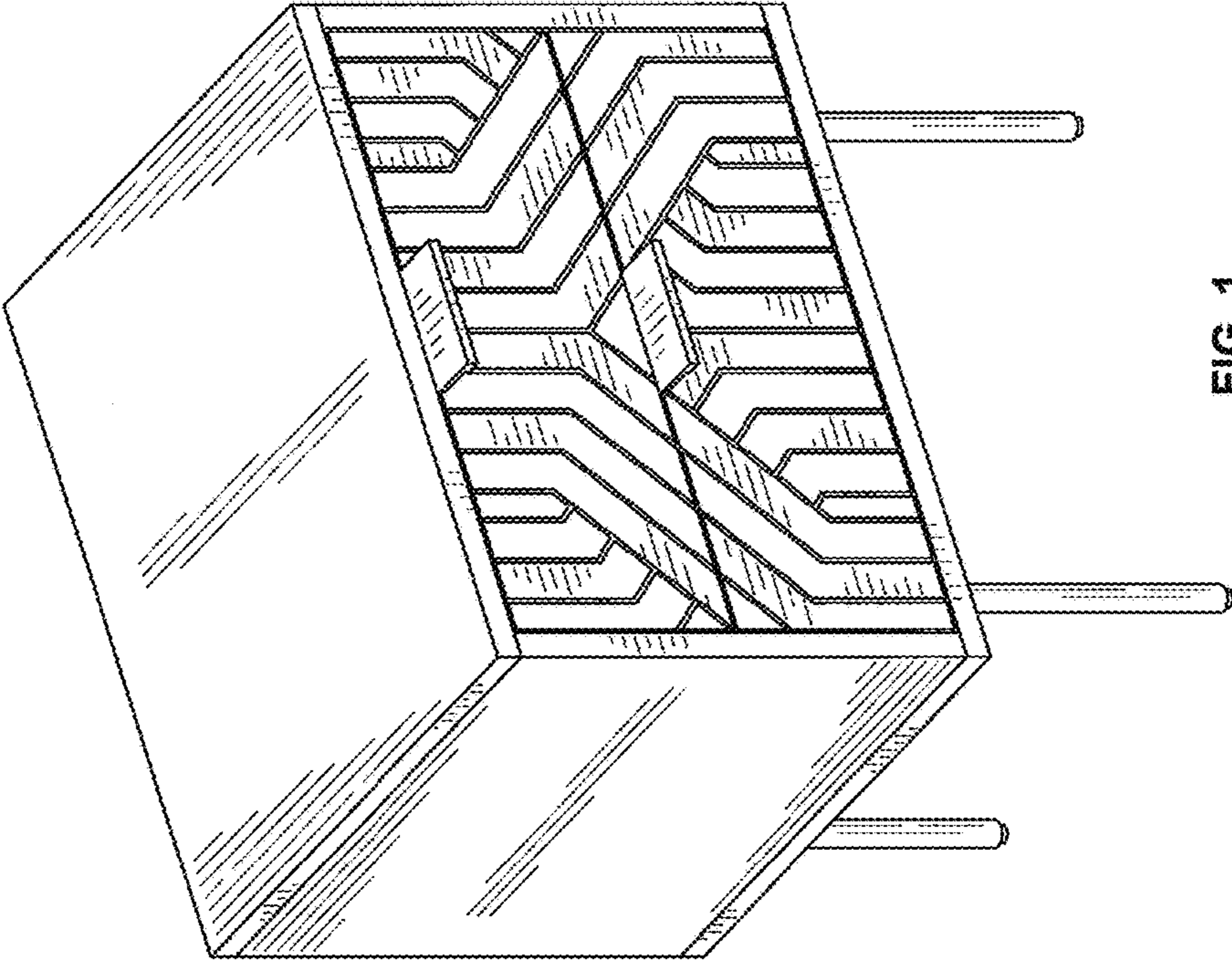


FIG. 1

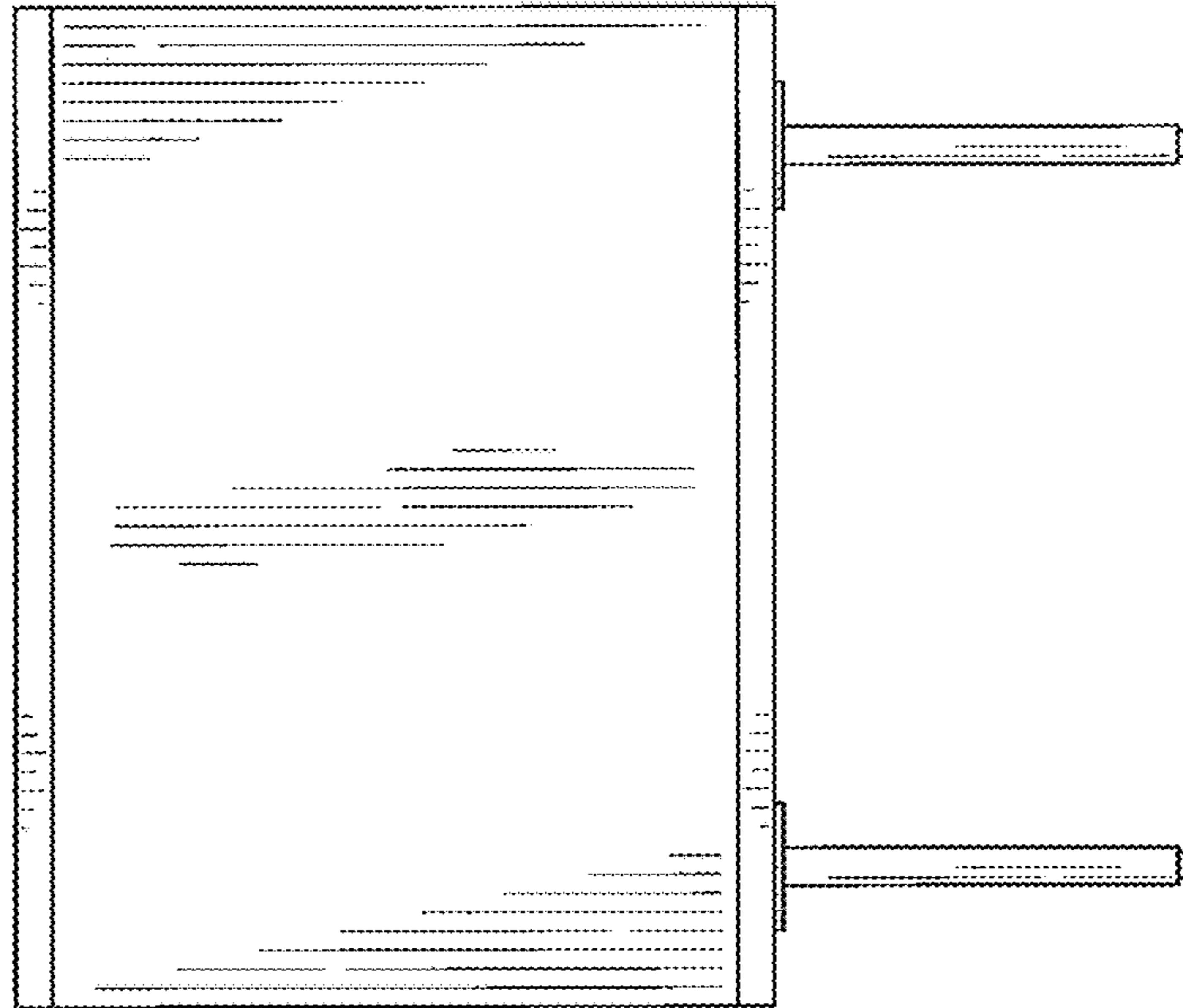


FIG. 3

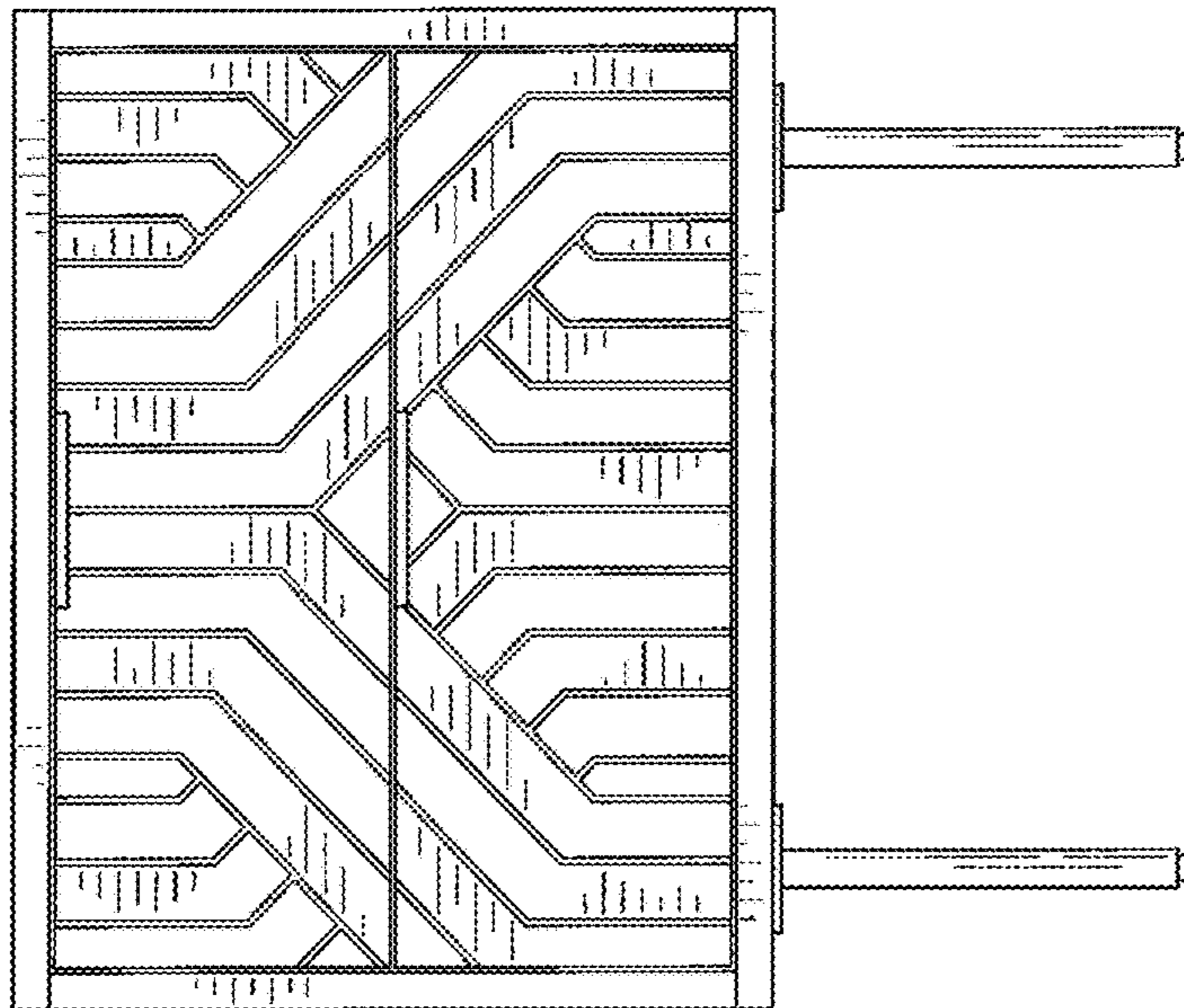


FIG. 2

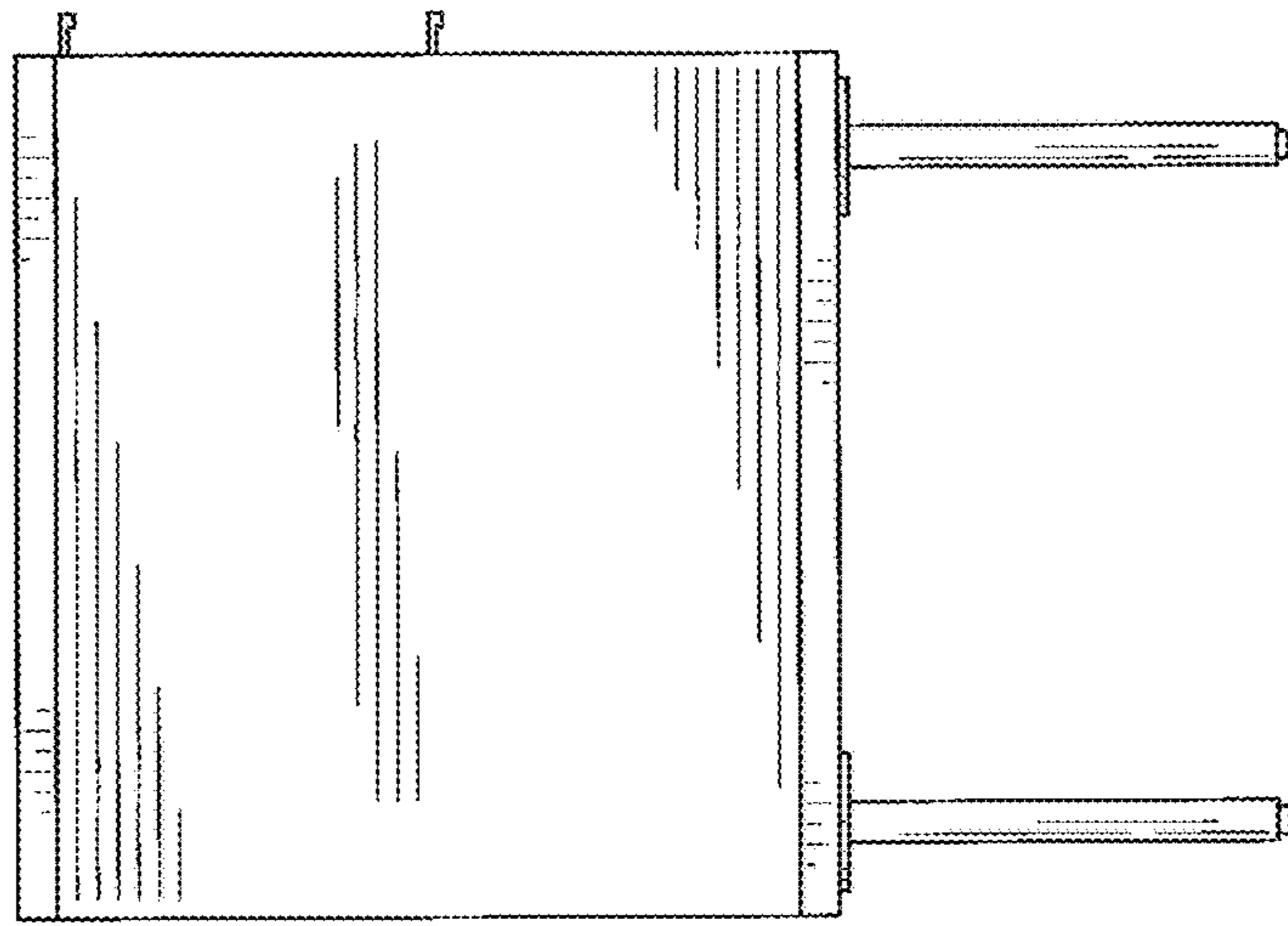


FIG. 5

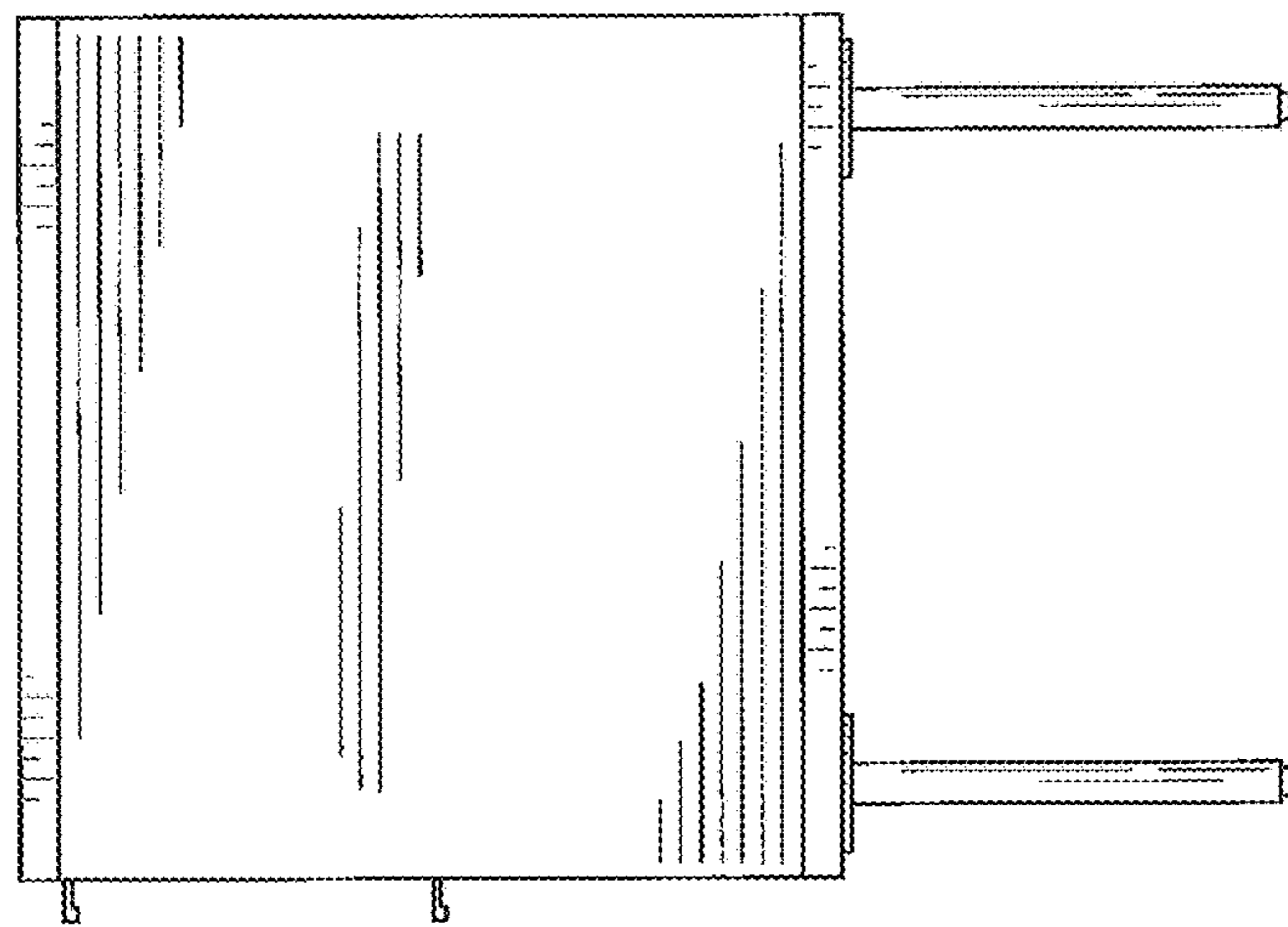


FIG. 4

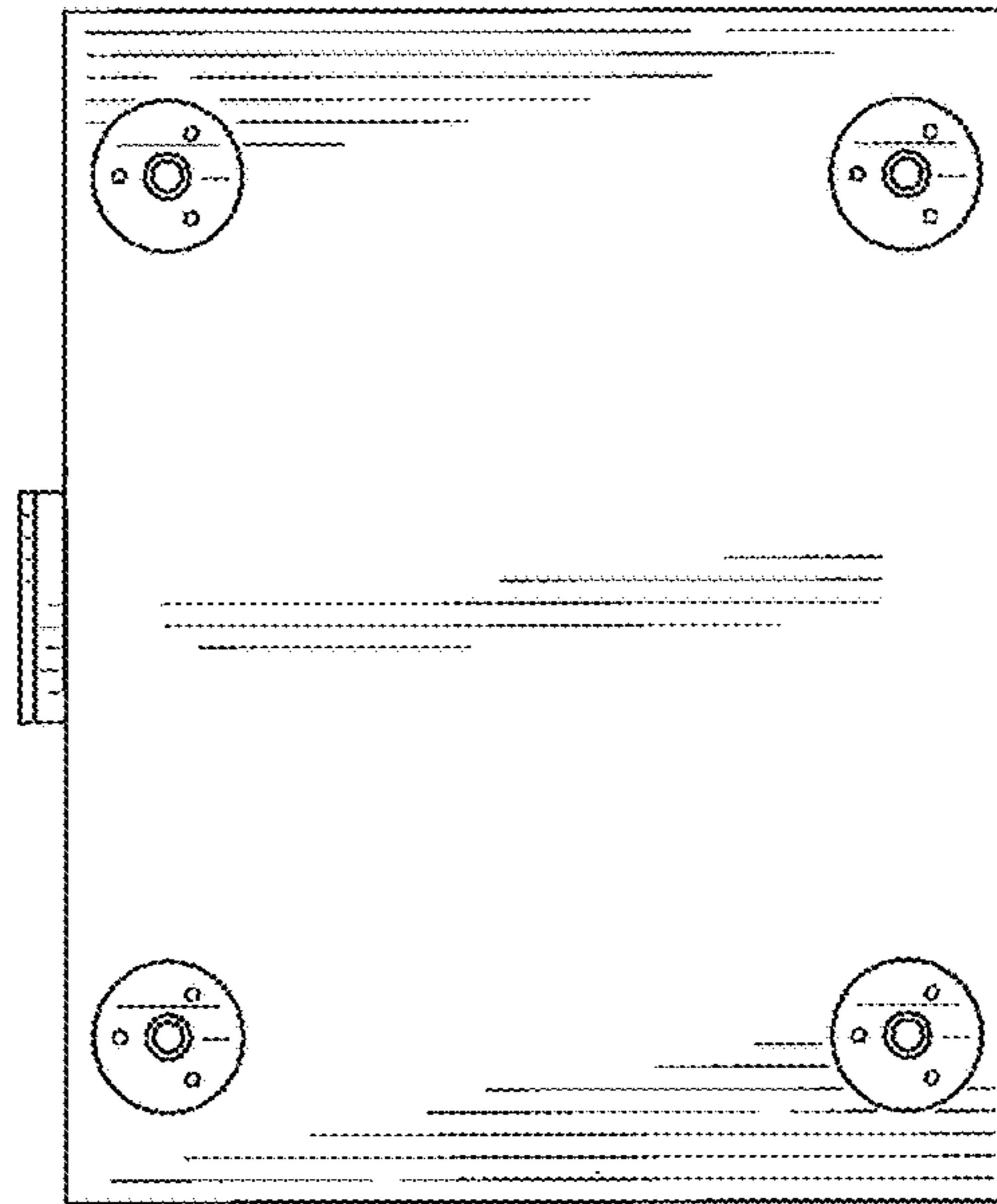


FIG. 7

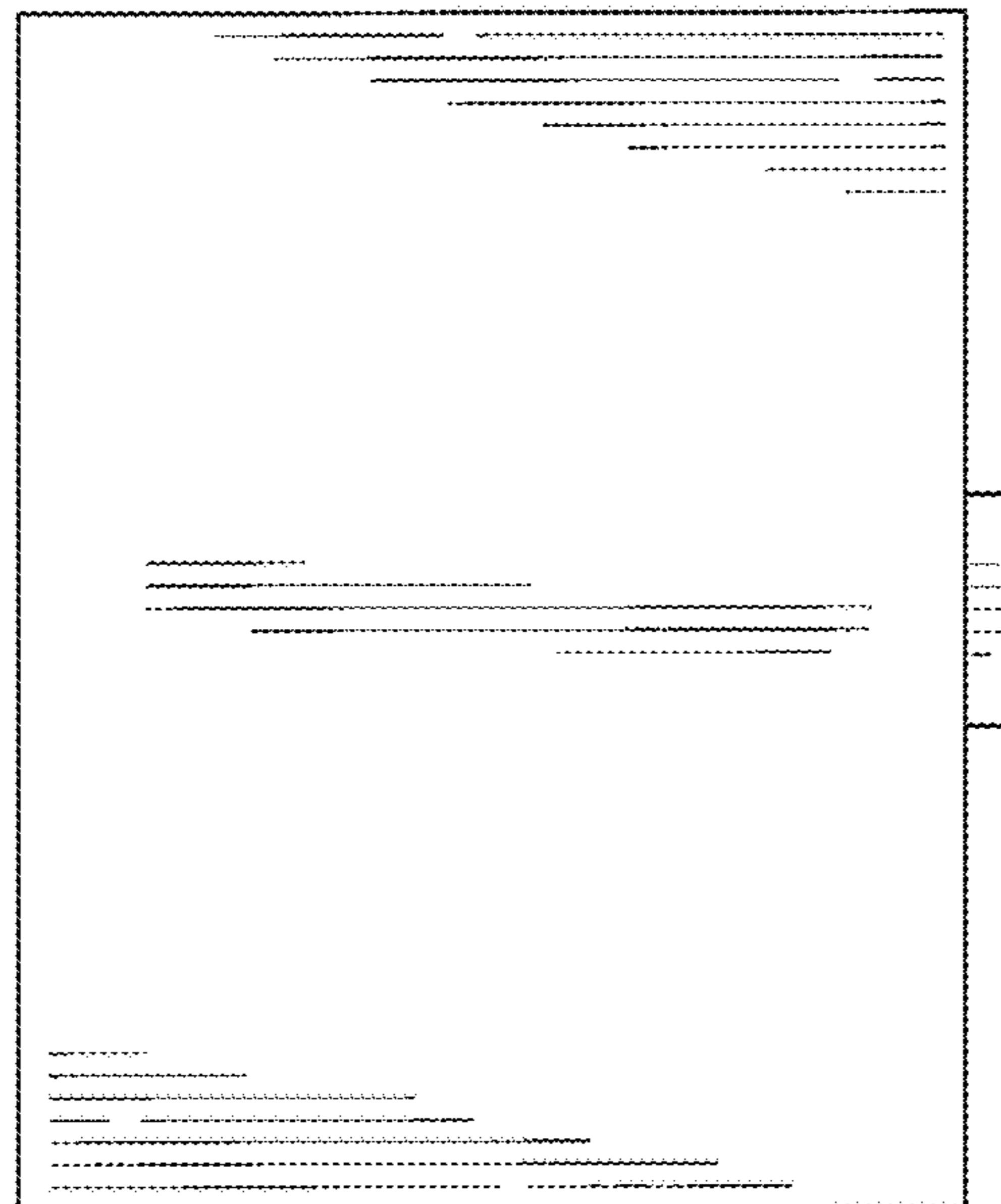


FIG. 6