

US00D862942S

(12) **United States Design Patent**  
**Vandenham et al.**

(10) **Patent No.:** **US D862,942 S**  
(45) **Date of Patent:** **\*\* Oct. 15, 2019**

(54) **MODULAR CABINET SYSTEM**

(71) Applicant: **NewAge Products, Inc.**, Vaughan (CA)

(72) Inventors: **Robert Vandenham**, North York (CA);  
**Parag Shah**, Toronto (CA); **Frank Spano**, Toronto (CA)

(73) Assignee: **NEWAGE PRODUCTS, INC.**,  
Vaughan, Ontario (CA)

(\*\*) Term: **15 Years**

(21) Appl. No.: **29/623,672**

(22) Filed: **Oct. 26, 2017**

**Related U.S. Application Data**

(62) Division of application No. 29/551,920, filed on Jan. 19, 2016, now Pat. No. Des. 807,085.

(51) **LOC (12) Cl.** ..... **06-04**

(52) **U.S. Cl.**  
USPC ..... **D6/671.1**

(58) **Field of Classification Search**  
USPC ..... D3/279, 283–284, 286, 297, 318–319,  
D3/905; D6/653.1, 662, 663, 664.1, 668,  
(Continued)

(56) **References Cited**

**U.S. PATENT DOCUMENTS**

D102,998 S 2/1937 Tashijan  
3,023,068 A 2/1962 Haag  
(Continued)

**FOREIGN PATENT DOCUMENTS**

CN 200977653 Y 11/2007  
CN 102848369 A 1/2013  
(Continued)

**OTHER PUBLICATIONS**

English language abstract of CN 204700864U extracted from espacenet.com database on Jun. 23, 2016, 1 page; and English language translation of CN 204700864U, 17 pages.

(Continued)

*Primary Examiner* — Ricky Pham  
(74) *Attorney, Agent, or Firm* — Howard & Howard Attorneys PLLC

(57) **CLAIM**

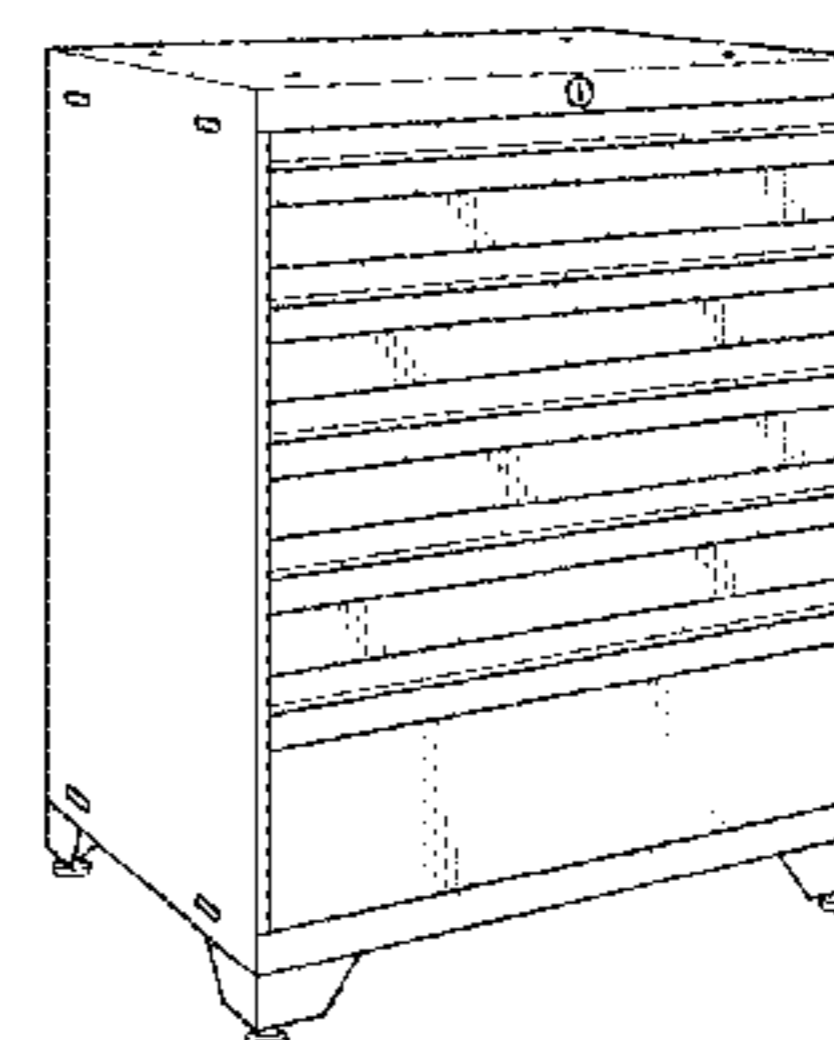
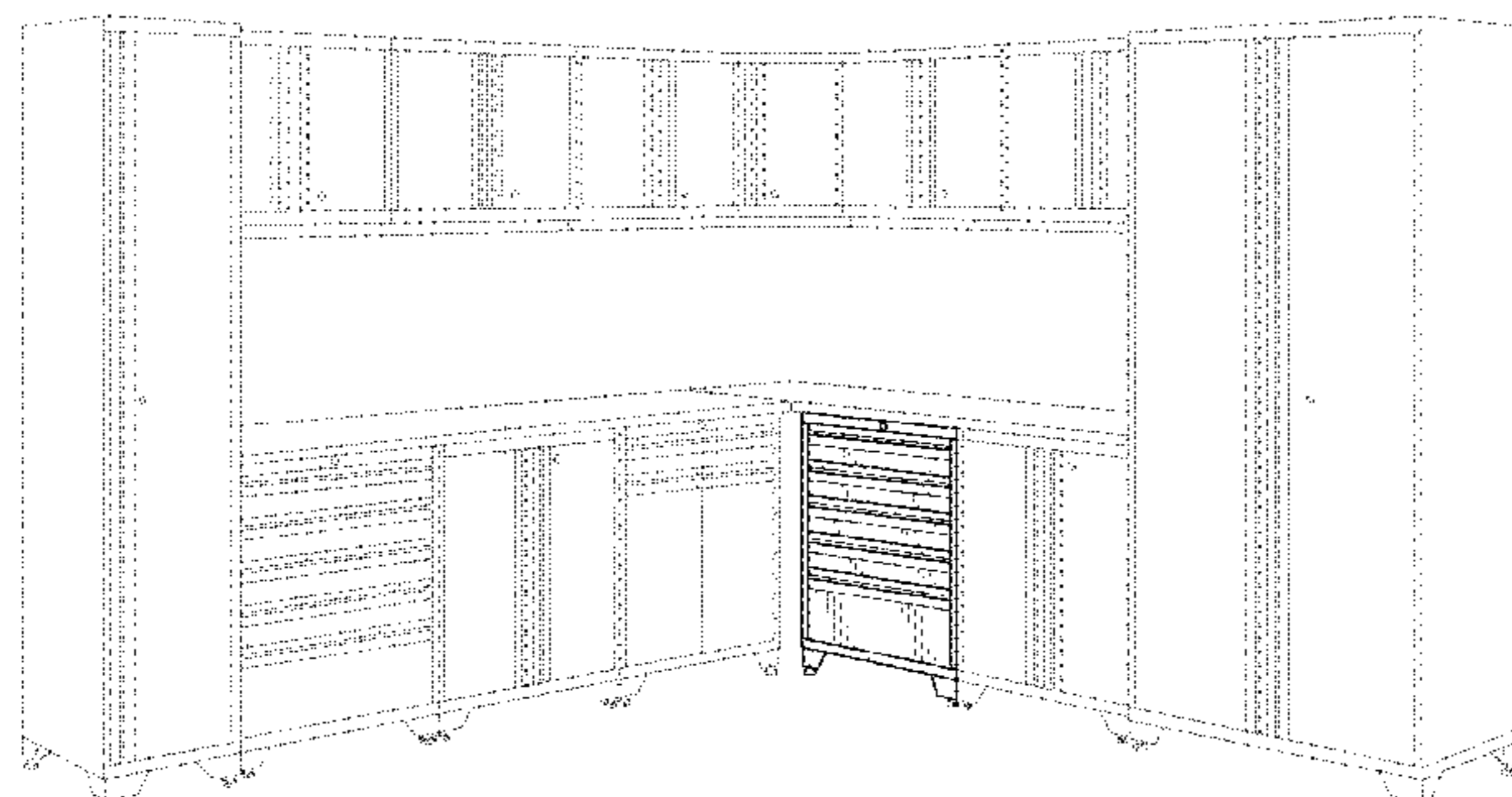
The ornamental design for a modular cabinet system, as shown and described.

**DESCRIPTION**

FIG. 1 is a perspective view of a modular cabinet system; FIG. 2 is a perspective view of an embodiment of a drawer cabinet of the modular cabinet of FIG. 1; FIG. 3 is a front elevational view of the drawer cabinet of FIG. 2; FIG. 4 is a rear elevational view of the drawer cabinet of FIG. 2; FIG. 5 is a left side elevational view of the drawer cabinet of FIG. 2; FIG. 6 is a right side elevational view of the drawer cabinet of FIG. 2; FIG. 7 is a top plan view of the drawer cabinet of FIG. 2; FIG. 8 is a bottom plan view of the drawer cabinet of FIG. 2; FIG. 9 is a perspective view of another embodiment of a drawer cabinet; FIG. 10 is a front elevational view of the drawer cabinet of FIG. 9; FIG. 11 is a rear elevational view of the drawer cabinet of FIG. 9; FIG. 12 is a left side elevational view of the drawer cabinet of FIG. 9; FIG. 13 is a right side elevational view of the drawer cabinet of FIG. 9; FIG. 14 is a top plan view of the drawer cabinet of FIG. 9; and, FIG. 15 is a bottom plan view of the drawer cabinet of FIG. 9.

The broken lines shown in the drawings are for illustrative purposes only and form no part of the claimed design.

**1 Claim, 7 Drawing Sheets**



(58) **Field of Classification Search**

USPC ..... D6/668.1, 668.2, 669, 671, 671.1, 671.2,  
D6/671.3, 671.4, 705, 705.5; D34/19, 20,  
D34/21  
CPC ..... A47B 37/00; A47B 49/00; A47B 49/002;  
A47B 67/00; A47B 67/04; A47B 87/02;  
A47B 88/04; A47B 88/0411; A47B  
88/20; A47B 2210/00; A47B 2210/004;  
A47B 2210/0078; A47B 2210/0008;  
A47F 3/00; B62B 3/00; B25H 1/02;  
B25H 3/00; B25H 3/003; B25H 3/006;  
B25H 3/02; B25H 3/021; B25H 3/028  
See application file for complete search history.

(56) **References Cited**

U.S. PATENT DOCUMENTS

3,247,312 A 4/1966 Alessi  
3,356,434 A \* 12/1967 Theodores ..... A47B 37/00  
16/34  
D224,492 S \* 8/1972 Inhelder ..... D6/671.1  
3,892,452 A 7/1975 Williams et al.  
3,926,486 A 12/1975 Sasnett  
D284,243 S 6/1986 Barber  
4,728,161 A 3/1988 Murphy  
D356,703 S 3/1995 Dickinson  
D379,004 S 4/1997 Keijser et al.  
5,640,572 A 6/1997 Mondrik et al.  
D384,846 S 10/1997 Zaidman et al.  
D387,035 S 12/1997 Hartel et al.  
D390,835 S 2/1998 Mayfield, III  
D407,385 S 3/1999 Belanger et al.  
D423,817 S \* 5/2000 Holcomb ..... D34/21  
D427,454 S 7/2000 Munch et al.  
D431,733 S 10/2000 Zimmerman  
D459,614 S 7/2002 Grosfillex  
D499,276 S 12/2004 Grosfillex  
6,926,376 B2 \* 8/2005 Arent ..... B25H 1/02  
312/194  
D518,310 S 4/2006 Mehmen et al.  
D518,984 S 4/2006 Schmidt et al.  
D520,264 S \* 5/2006 Mehmen ..... D6/668.1  
D520,784 S \* 5/2006 Schmidt ..... D6/705.5  
7,048,347 B1 \* 5/2006 Liu ..... B25H 3/028  
312/332.1  
D543,741 S 6/2007 Gaska et al.  
D549,501 S 8/2007 Gaska et al.  
D550,004 S 9/2007 Gaska et al.  
D576,421 S \* 9/2008 Grabowski ..... D6/653.1  
D576,940 S 9/2008 Maynard  
D577,523 S 9/2008 Mehmen  
D580,195 S 11/2008 Daino et al.  
D609,936 S 2/2010 Haimoff  
D613,973 S 4/2010 Holcomb  
D643,165 S 8/2011 Song et al.  
D645,427 S 9/2011 Delakowitz  
D651,829 S 1/2012 Ma  
D658,217 S 4/2012 Wenning  
D663,134 S 7/2012 Wu  
D663,495 S 7/2012 Song et al.  
D666,034 S 8/2012 Gaska et al.  
D668,078 S 10/2012 Daino et al.  
D670,510 S 11/2012 Daino et al.  
D673,387 S 1/2013 Pazhoor  
D686,437 S 7/2013 Johnson et al.  
D711,169 S 8/2014 Anderson et al.

D711,673 S 8/2014 Lim  
D734,069 S 7/2015 Zhao  
D734,070 S 7/2015 Zhao  
D734,071 S 7/2015 Zhao  
D734,072 S 7/2015 Zhao  
D734,073 S 7/2015 Zhao  
D743,358 S 11/2015 Cagliani et al.  
D760,518 S 7/2016 Shah et al.  
D765,445 S \* 9/2016 Persson ..... D6/671.1  
9,630,036 B2 4/2017 Strum et al.  
D803,602 S 11/2017 Hightower et al.  
D807,084 S \* 1/2018 Waldner ..... D6/671.1  
D807,085 S \* 1/2018 Vandenhame ..... D6/671.1  
D821,118 S 6/2018 Chiao et al.  
D830,740 S \* 10/2018 Shah ..... D6/671.1  
D837,539 S 1/2019 Nicoll et al.  
D837,542 S 1/2019 Nicoll et al.  
2002/0153814 A1 10/2002 Robideau  
2003/0127956 A1 7/2003 Stoever  
2013/0063003 A1 3/2013 Liu  
2016/0128471 A1 \* 5/2016 Chang ..... B25H 3/028  
312/249.11

FOREIGN PATENT DOCUMENTS

CN 202784064 U 3/2013  
CN 302846152 S 6/2014  
CN 302846153 S 6/2014  
CN 302846154 S 6/2014  
CN 302869741 S 7/2014  
CN 302892641 S 7/2014  
CN 302892642 S 7/2014  
CN 302892643 S 7/2014  
CN 302892644 S 7/2014  
CN 302892645 S 7/2014  
CN 302892646 S 7/2014  
CN 302892647 S 7/2014  
CN 302892648 S 7/2014  
CN 302921462 S 8/2014  
CN 302921463 S 8/2014  
CN 104493796 A 4/2015  
CN 104493798 A 4/2015  
CN 104552196 A 4/2015  
CN 104626078 A 5/2015  
CN 104626079 A 5/2015  
CN 204354098 U 5/2015  
CN 204354099 U 5/2015  
CN 204354101 U 5/2015  
CN 204354102 U 5/2015  
CN 204354103 U 5/2015  
CN 204698125 U 10/2015  
CN 204700856 U 10/2015  
CN 204700864 U 10/2015

OTHER PUBLICATIONS

Newage Products Inc., "Pro Series Garage Storage Cabinets" downloaded from <http://newageproducts.com/ca/cabinets-landing/pro-bold-series-landing/pro-series-product/> on May 26, 2016, 8 pages.  
Newage Products Inc., "Bold Series Garage Cabinets for Storage" downloaded from <http://newageproducts.com/uk/bold-series-product/> on May 26, 2016, 13 pages.  
Design U.S. Appl. No. 29/623,670, filed Oct. 26, 2017, 57 pages.  
Design U.S. Appl. No. 29/623,673, filed Oct. 26, 2017, 57 pages.  
Design U.S. Appl. No. 29/623,674, filed Oct. 26, 2017, 57 pages.  
Design U.S. Appl. No. 29,623,677, filed Oct. 26, 2017, 57 pages.

\* cited by examiner



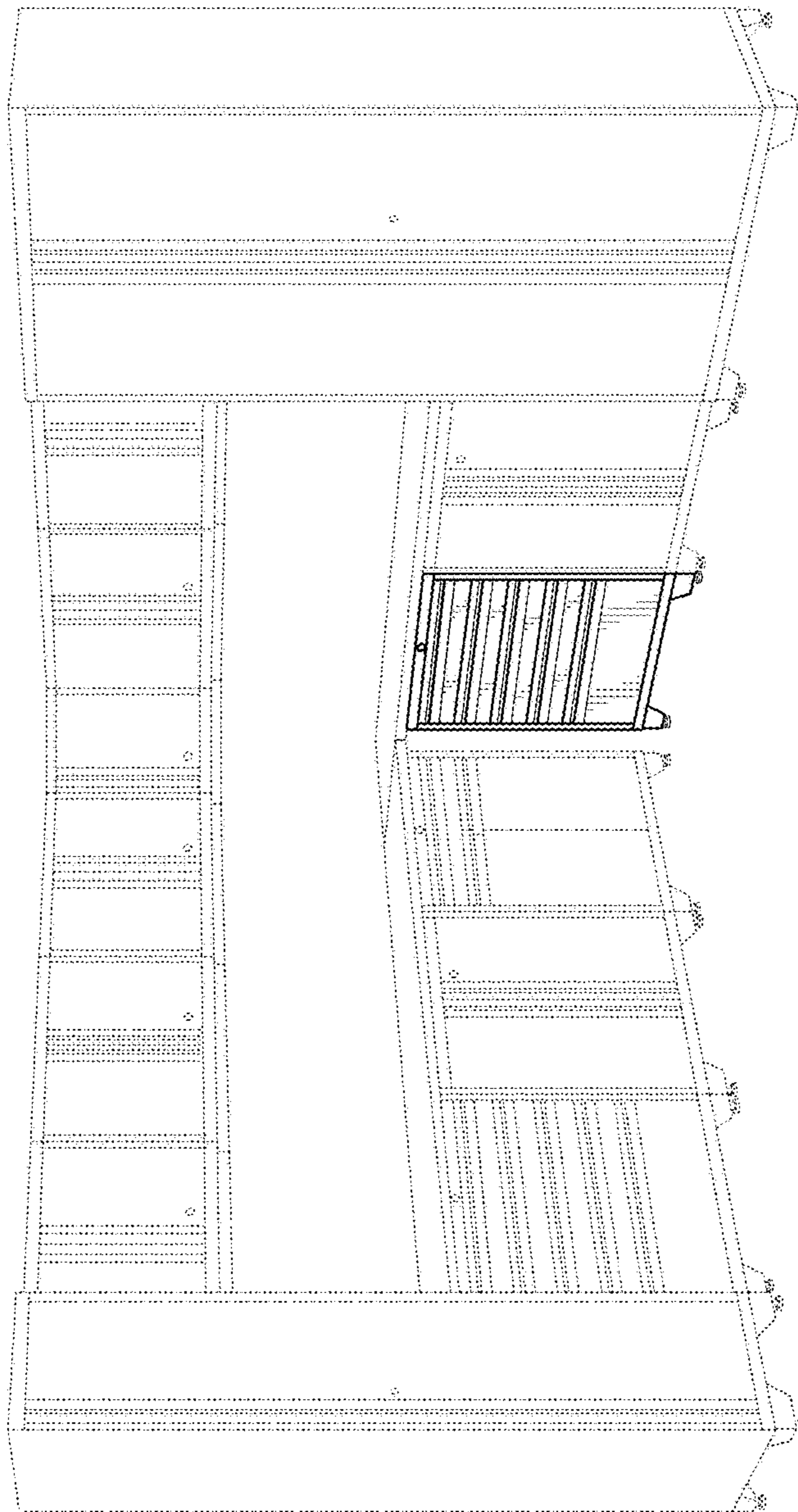


FIG. 1

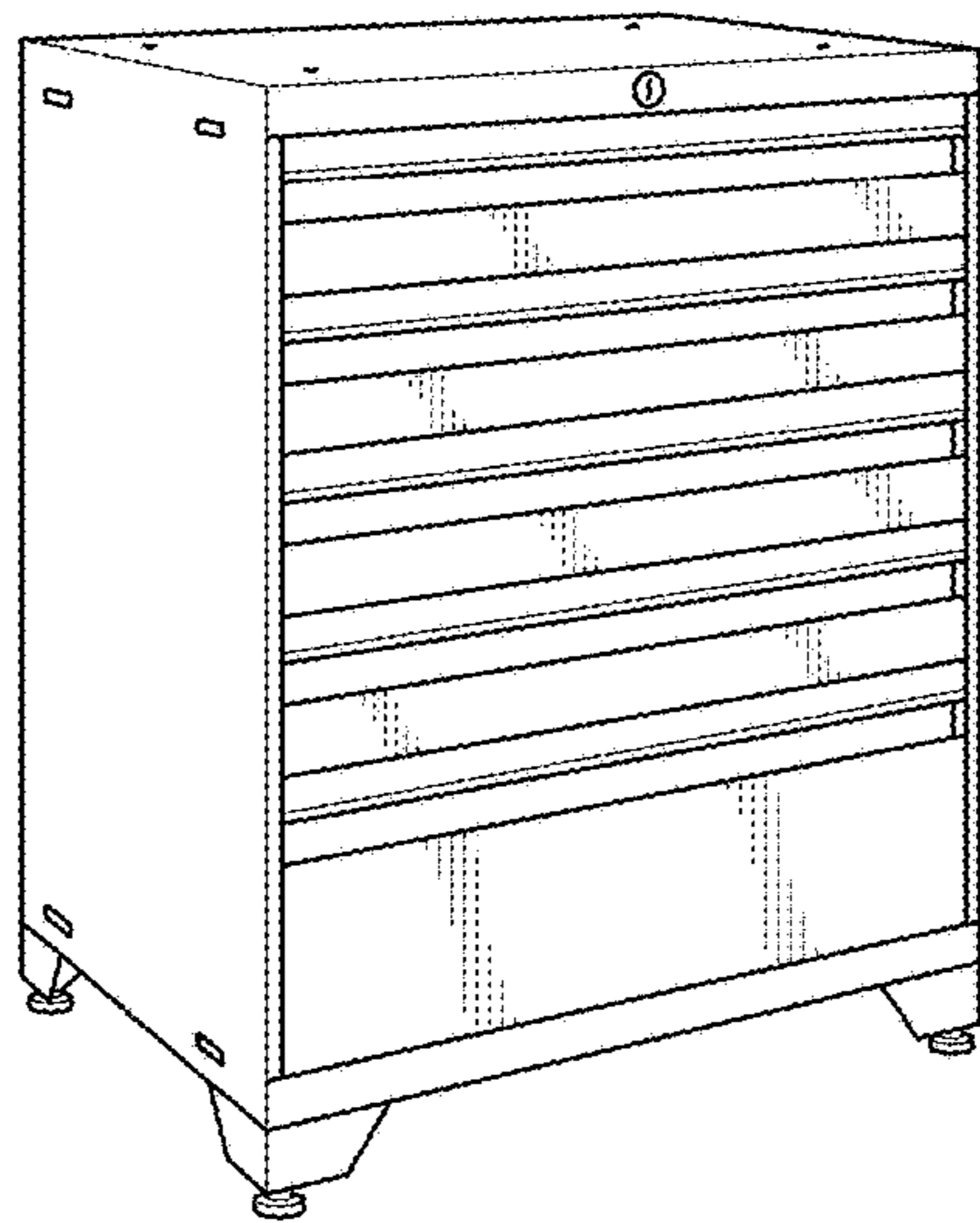


FIG. 2

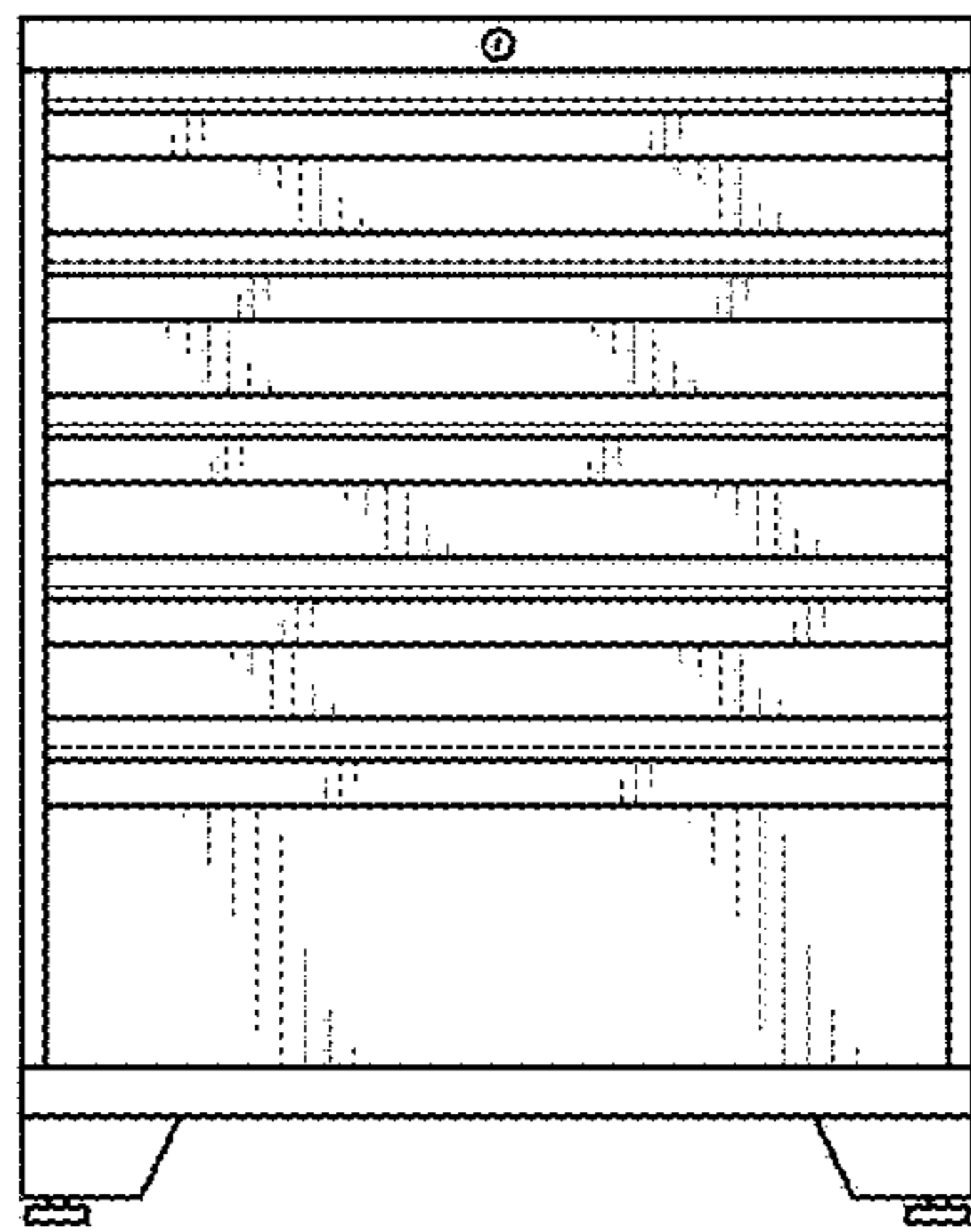


FIG. 3

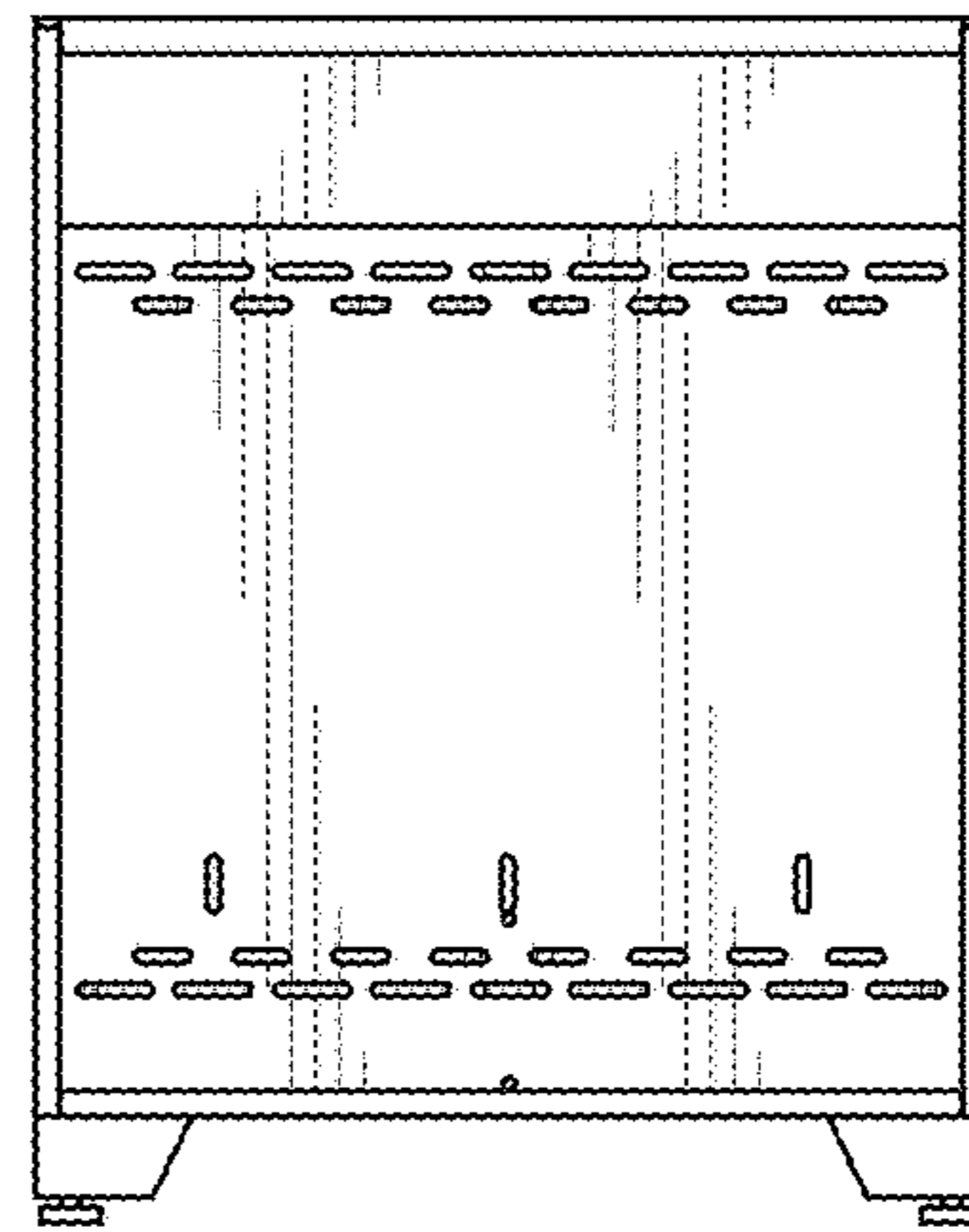


FIG. 4

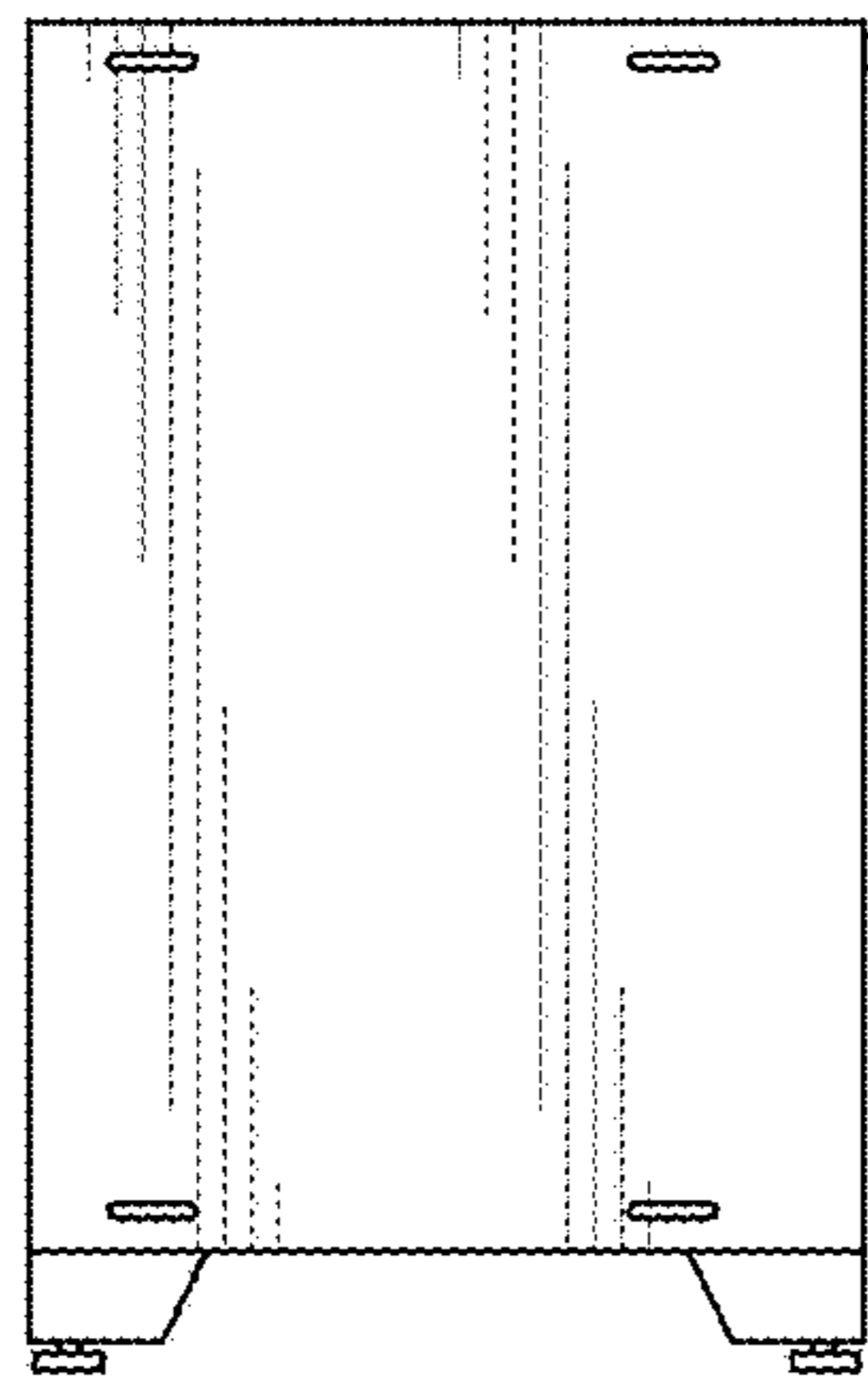


FIG. 5

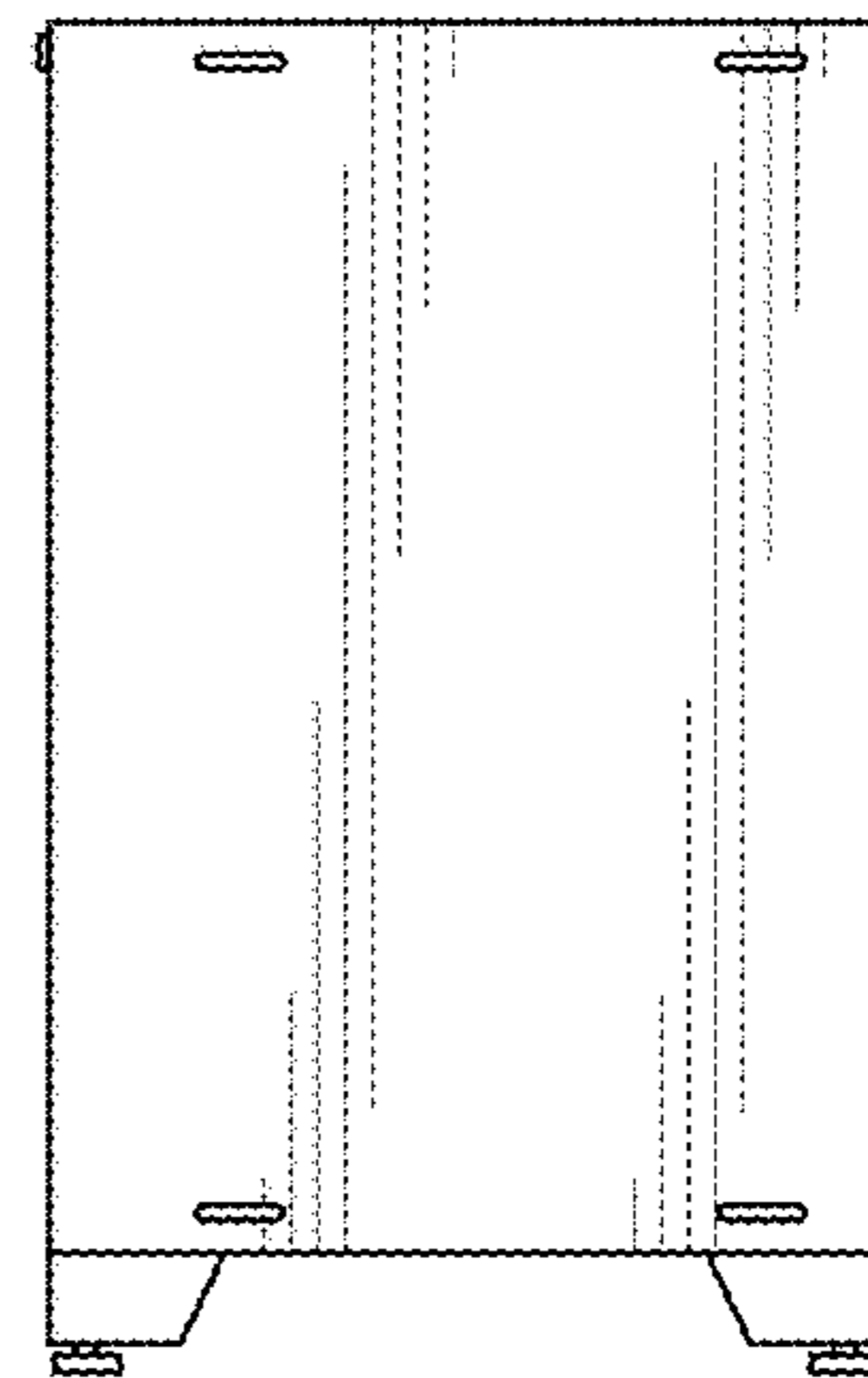
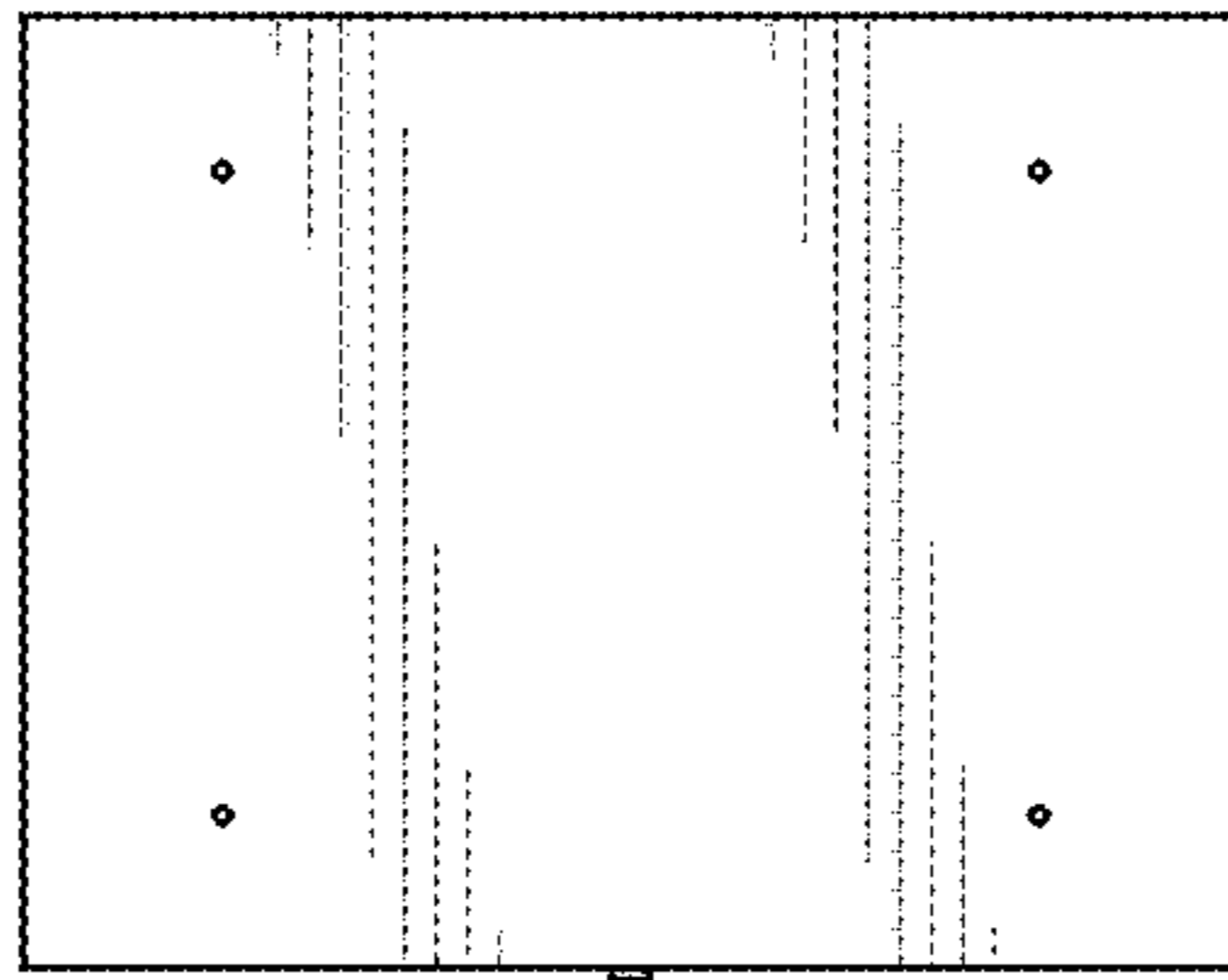
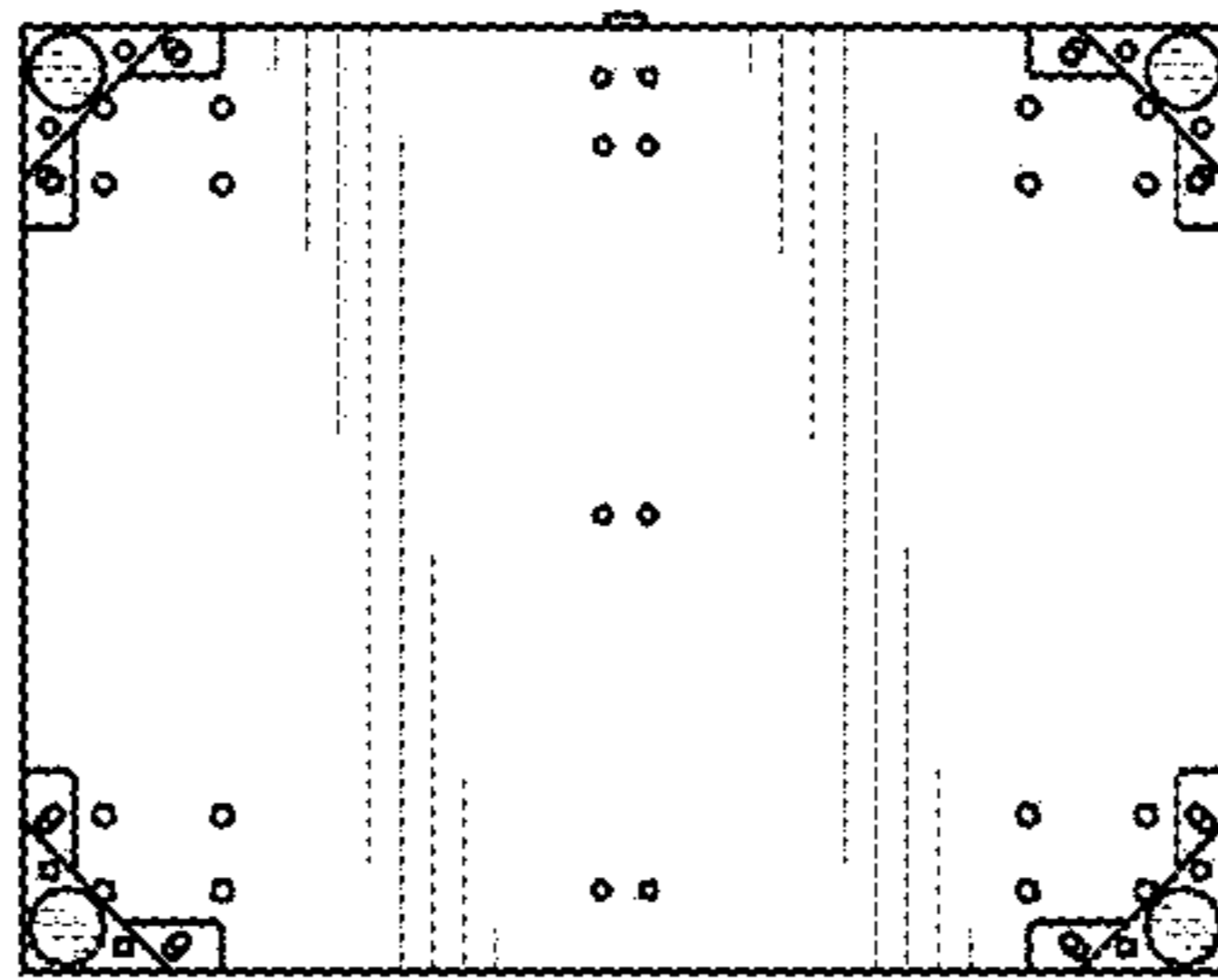


FIG. 6



**FIG. 7**



**FIG. 8**

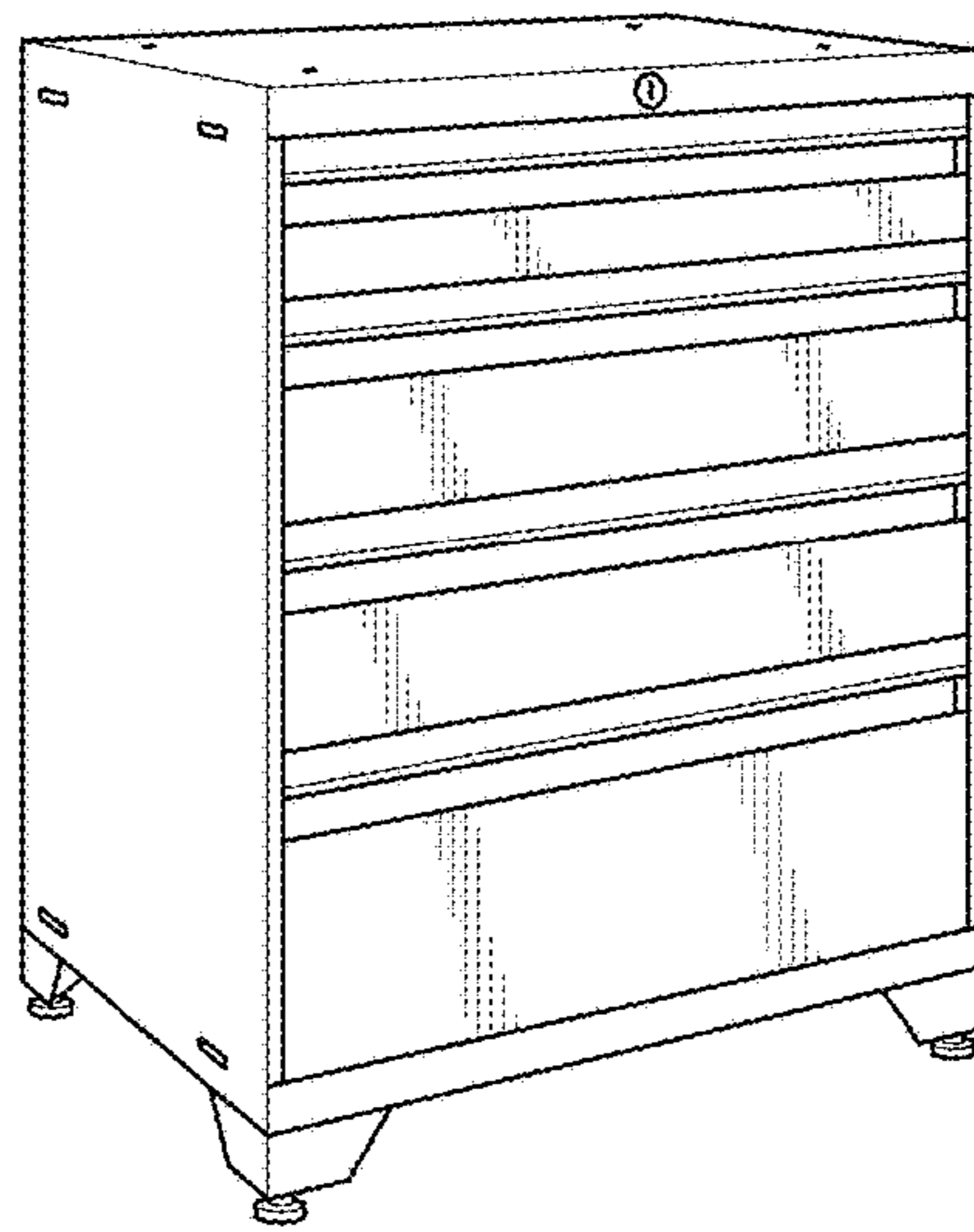


FIG. 9

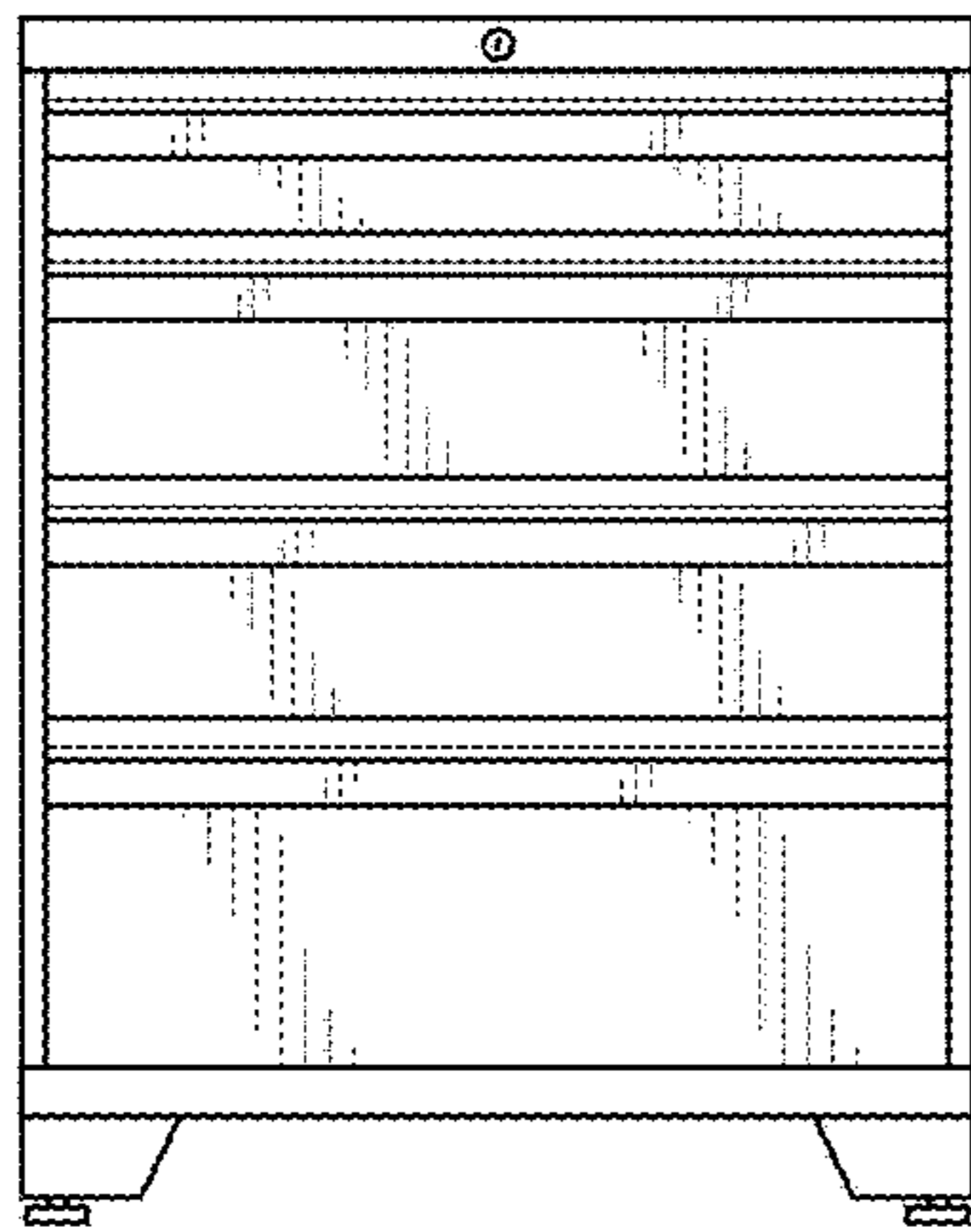


FIG. 10

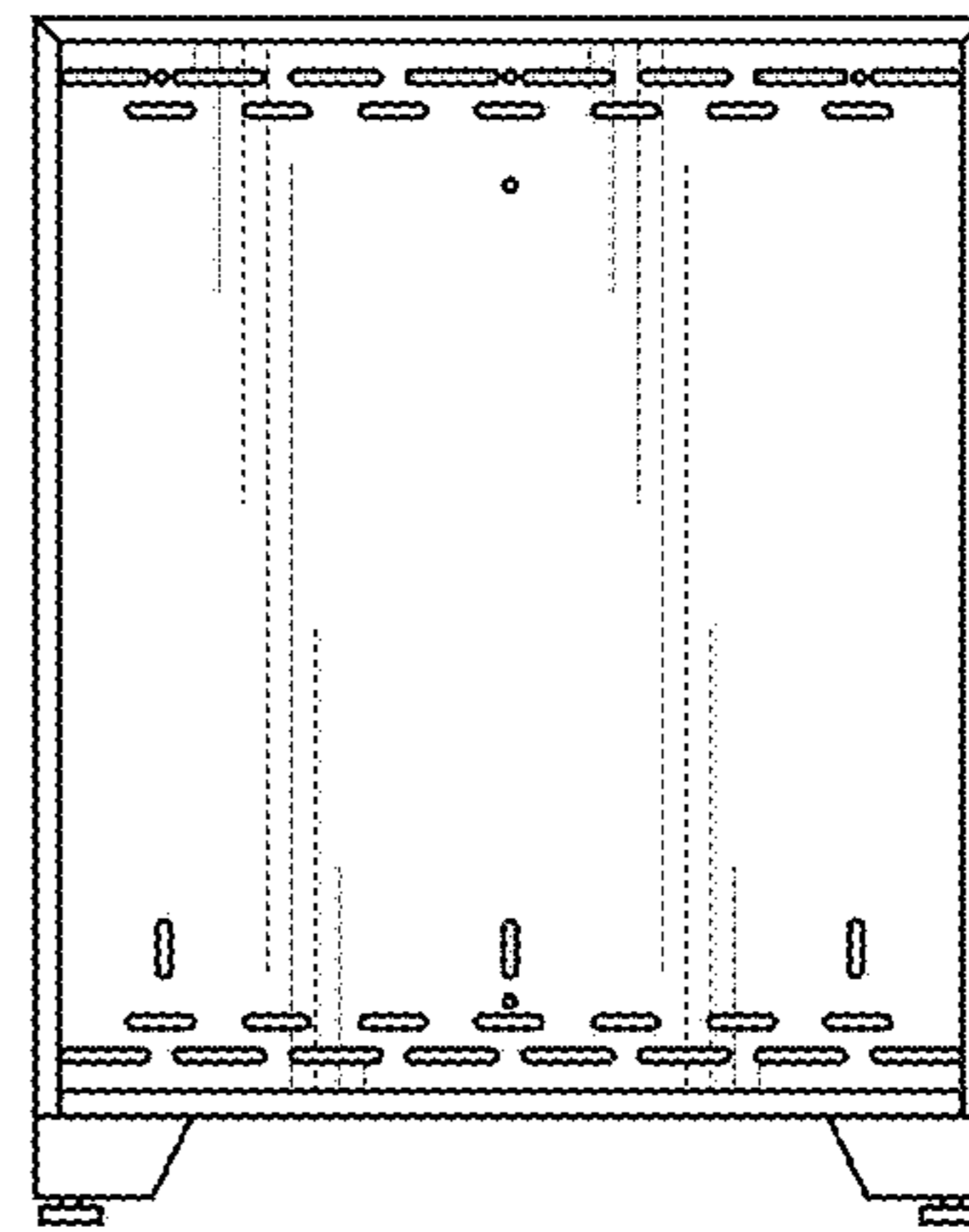


FIG. 11

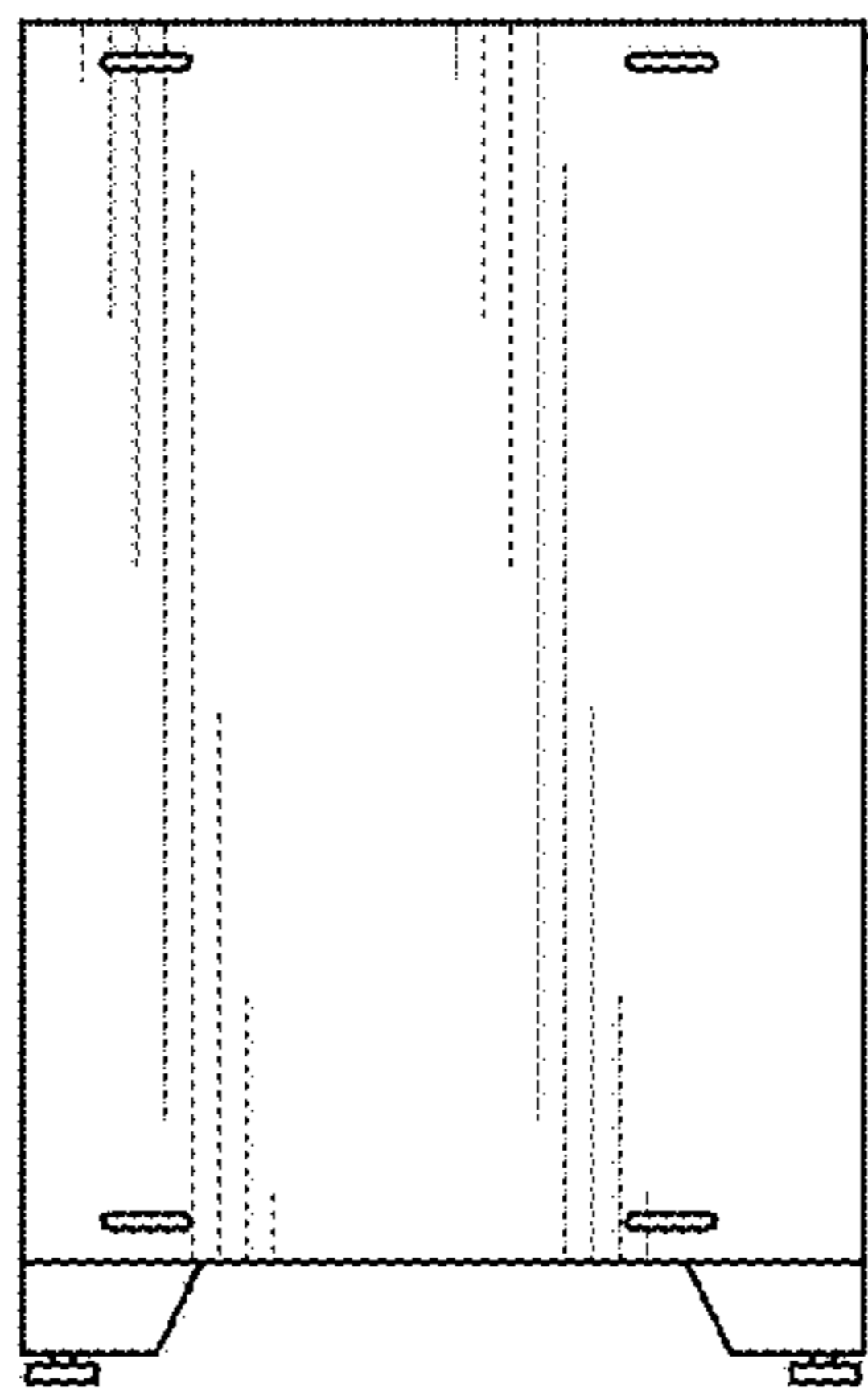


FIG. 12

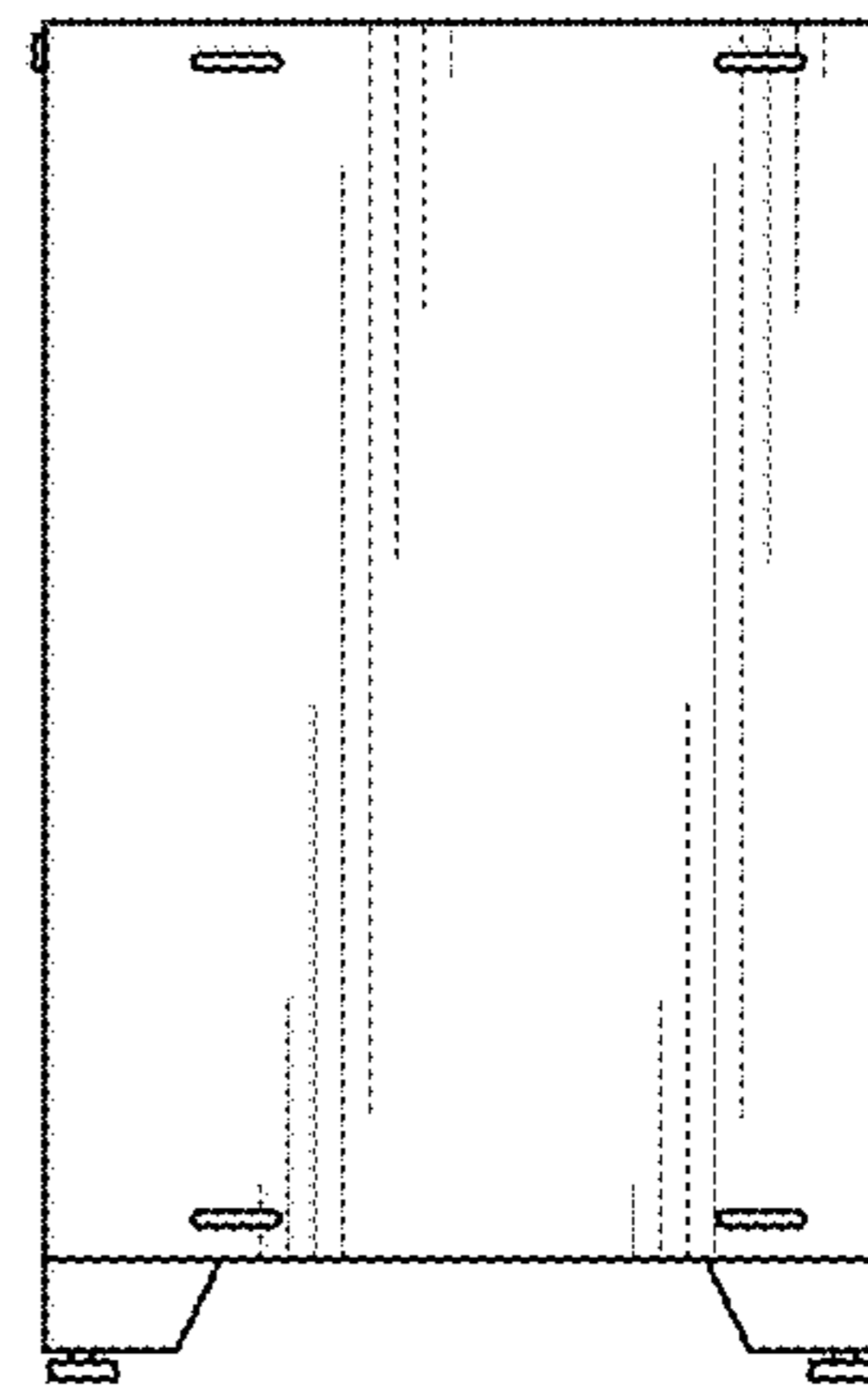
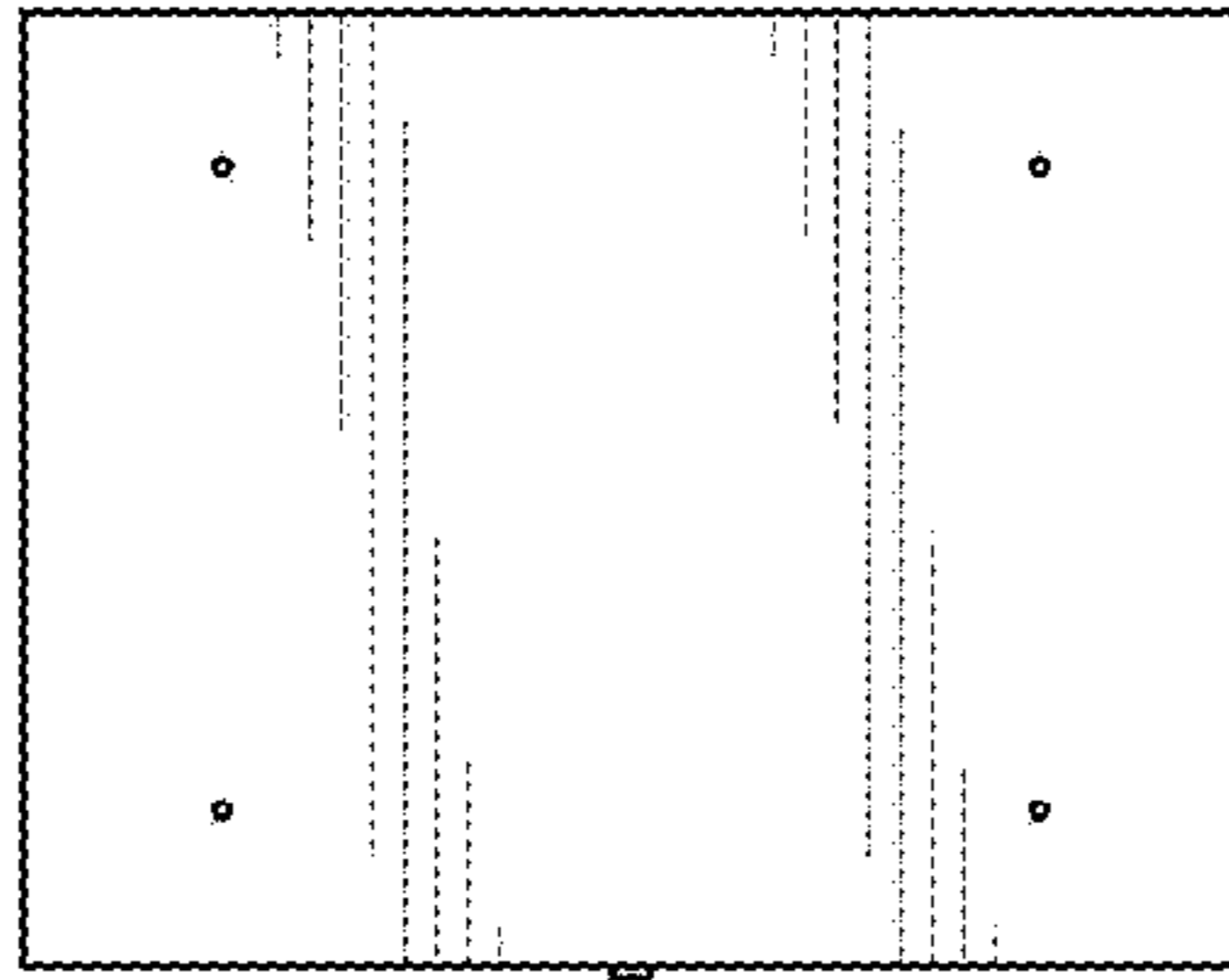
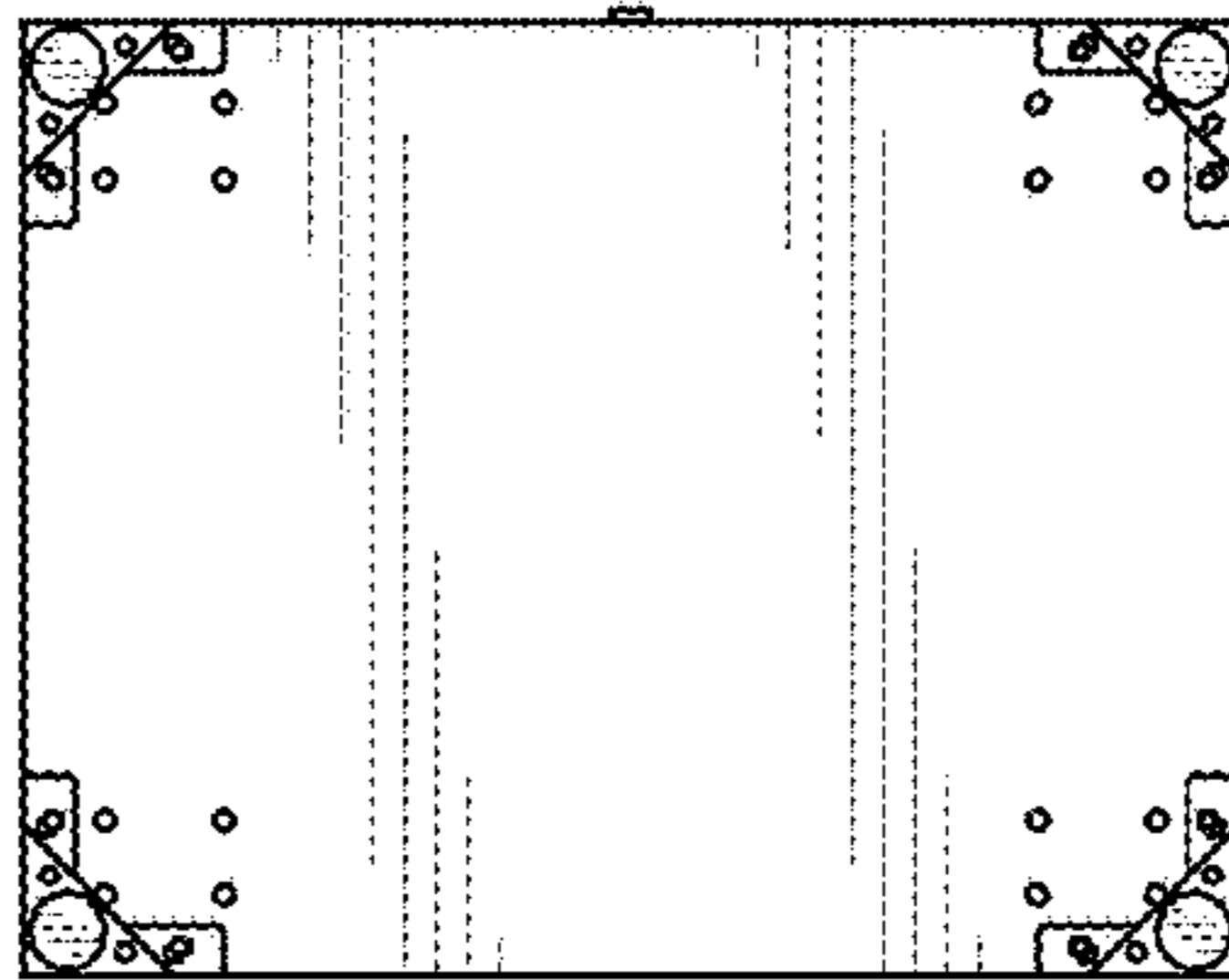


FIG. 13





**FIG. 14**



**FIG. 15**