

US00D862939S

(12) **United States Design Patent** (10) **Patent No.:** **US D862,939 S**
Bray (45) **Date of Patent:** **** Oct. 15, 2019**

(54) **NIGHTSTAND**

- (71) Applicant: **Blu Dot Design & Manufacturing, Inc.**, Minneapolis, MN (US)
- (72) Inventor: **B. Bradshaw Bray**, Minneapolis, MN (US)
- (73) Assignee: **Blu Dot Design & Manufacturing, Inc.**, Minneapolis, MN (US)
- (**) Term: **15 Years**
- (21) Appl. No.: **29/629,143**
- (22) Filed: **Dec. 12, 2017**
- (51) **LOC (12) Cl.** **06-04**
- (52) **U.S. Cl.**
USPC **D6/663**
- (58) **Field of Classification Search**
USPC D6/407, 657, 661, 663, 664, 664.1, D6/668.2, 671, 671.1, 671.4, 675, 675.1, D6/675.5, 683.1, 691.1, 691.8, 691.9, D6/702, 703; D14/168, 184; D15/85
CPC ... A47B 47/024; A47B 87/008; A47B 87/002; A47B 88/48; A47B 88/90; A47F 3/0413; A47F 5/116; A47F 5/0018; A47F 9/00; Y10T 428/24694; F25D 21/14; F25D 23/069; F25D 2400/10
See application file for complete search history.

(56) **References Cited**

U.S. PATENT DOCUMENTS

289,311 A	11/1883	Selby	
D97,309 S	10/1935	Stoltz	
D98,366 S	1/1936	Pumphrey	
D164,614 S	9/1951	Bendersky	
D165,241 S *	11/1951	Porter	D6/671.1
2,696,419 A	12/1954	Wallance et al.	
D184,935 S	4/1959	Herrmann	
D186,115 S *	9/1959	Church	D14/184
D188,197 S *	6/1960	Swarts	D6/671.1
D193,516 S *	9/1962	Deaton	D6/657
D193,717 S *	10/1962	Deaton	D6/671.1
3,700,300 A	10/1972	Davis et al.	

(Continued)

OTHER PUBLICATIONS

Blu Dot Catalog No. 16, Designed in Minneapolis, Minnesota, Copyright 2015, 44 pages.
(Continued)

Primary Examiner — Kevin K Rudzinski
Assistant Examiner — Paul D Bohannon
(74) *Attorney, Agent, or Firm* — Fredrikson & Byron, P.A.

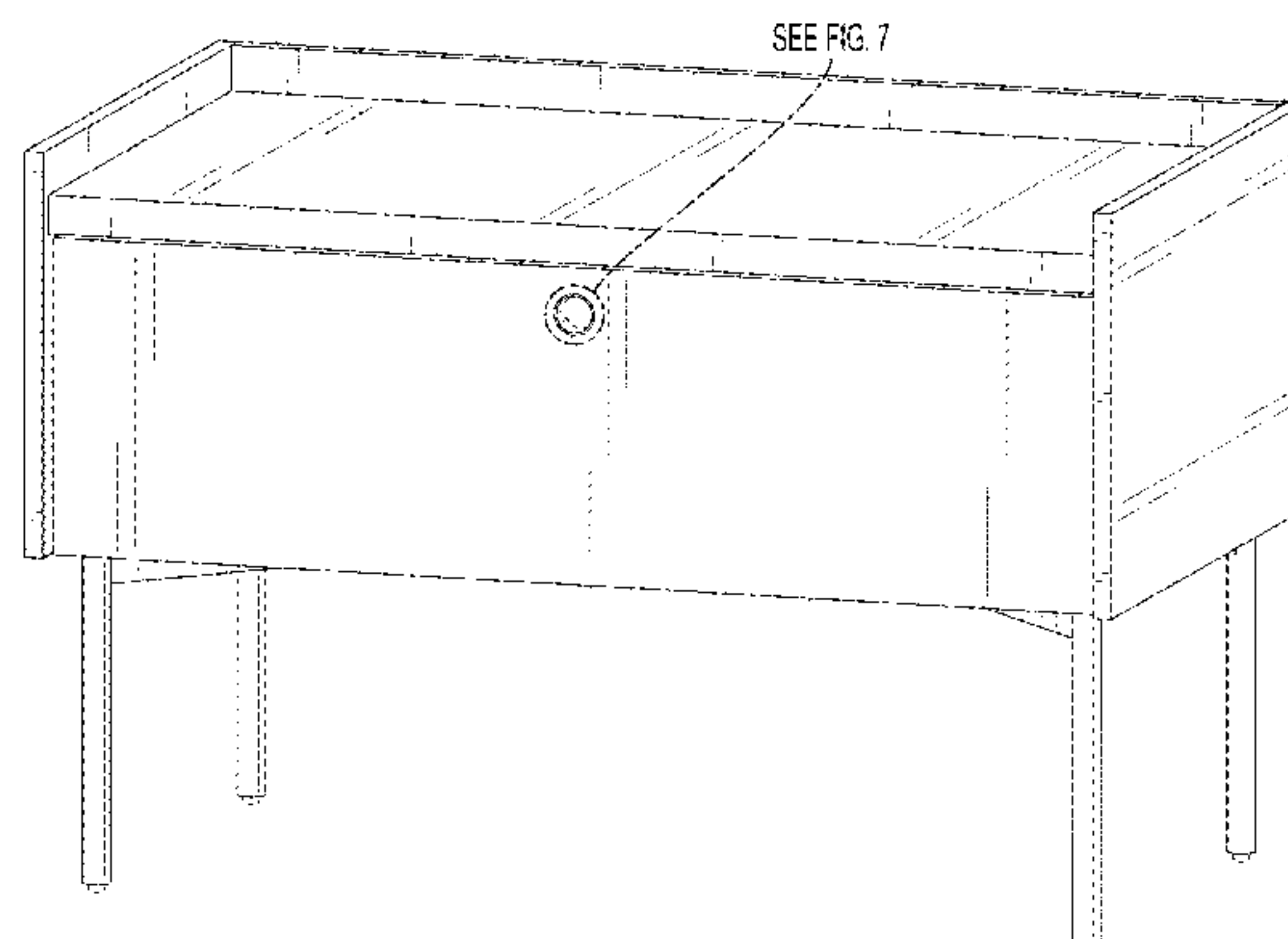
(57) **CLAIM**

I claim the ornamental design for a nightstand, as shown and described.

DESCRIPTION

FIG. 1 is a front perspective view of a nightstand of applicant's design;
FIG. 2 is a front elevational view thereof;
FIG. 3 is a rear elevational view thereof;
FIG. 4 is a first side elevational view thereof, the second side elevational view opposite the first side elevational view and being a mirror image thereof;
FIG. 5 is a top plan view thereof;
FIG. 6 is a bottom plan view thereof;
FIG. 7 is a an enlarged view of the portion identified in FIG. 1 showing an enlarged perspective view of a hole of the nightstand; and,
FIG. 8 is a sectional view taken along line 8-8 in FIG. 2, which runs through the hole of the nightstand, the hole being symmetric about the line 8-8 such that the cross-section of the hole opposite line 8-8 is a mirror image of the cross-section of the hole shown in FIG. 8.
Where included, broken lines showing environment or structure are for illustrative purposes only and form no part of the claimed design.

1 Claim, 7 Drawing Sheets



(56)

References Cited

U.S. PATENT DOCUMENTS

D234,386 S 2/1975 Hodges
 3,971,608 A 7/1976 Gans
 D241,213 S 8/1976 Fertleman
 D267,532 S 1/1983 Platner
 D293,521 S 1/1988 Handler et al.
 D304,980 S * 12/1989 Bush D6/705
 D336,392 S 6/1993 Whalen
 D394,171 S 5/1998 De Blaay
 D401,080 S 11/1998 Zaidman
 D401,443 S 11/1998 Zaidman
 D420,230 S 2/2000 Wanek et al.
 D427,453 S 7/2000 Lacroix et al.
 D427,806 S * 7/2000 Lacroix D6/671.1
 D439,076 S * 3/2001 Mathieu D6/671.1
 D440,430 S * 4/2001 Hutton D6/671.1
 D499,274 S * 12/2004 Juneau D6/657
 D519,750 S * 5/2006 Boudreau D6/671.4
 D526,142 S 8/2006 Schmitt
 D526,814 S 8/2006 Juneau et al.
 D532,624 S 11/2006 Juneau
 D533,732 S * 12/2006 Juneau D6/671.1
 D553,879 S 10/2007 Juneau
 D554,893 S * 11/2007 Boerner D6/671.2
 D609,496 S 2/2010 Kanthasamy
 D609,497 S 2/2010 Kanthasamy
 D663,136 S 7/2012 Thompson
 D667,653 S * 9/2012 Lenney D6/671.1
 D669,704 S * 10/2012 Zambelli D6/657

D784,736 S 4/2017 Chen
 D791,516 S 7/2017 Everson et al.
 D812,935 S * 3/2018 Hannoosh D6/671.1
 D815,467 S * 4/2018 Hannoosh D6/671.1
 D815,468 S * 4/2018 Hannoosh D6/671.1
 D818,745 S * 5/2018 Hannoosh D6/671.1
 D825,230 S * 8/2018 Massaud D6/675
 D825,231 S * 8/2018 Massaud D6/675.1
 2009/0277715 A1 11/2009 Scharer et al.
 2013/0126452 A1 5/2013 Lo
 2014/0231404 A1 8/2014 Struck

OTHER PUBLICATIONS

Blu Dot Catalog No. 17, Designed in Minneapolis, Minnesota, Copyright 2015, 52 pages.
 Blu Dot Catalog No. 18, Designed in Minneapolis, Minnesota, Copyright 2015, 51 pages.
 Blu Dot Catalog No. 19, Designed in Minneapolis, Minnesota, Copyright 2016, 54 pages.
 Houzz. <https://www.houzz.com/product/120934809-ingrid-mid-century-modern-dresser-with-6-drawers-white-midcentury-dressers>. "Ingrid Mid Century Modern Dresser With 6 Drawers, White.". Date unknown: Viewed Apr. 2019 (Year: 2019).
 Chairish. <https://www.chairish.com/product/1209920/edmond-spence-mid-century-modern-bedroom-dresser>. "Edmond Spence Mid Century Modern Bedroom Dresser". Date unknown: Viewed Apr. 2019 (Year: 2019).

* cited by examiner

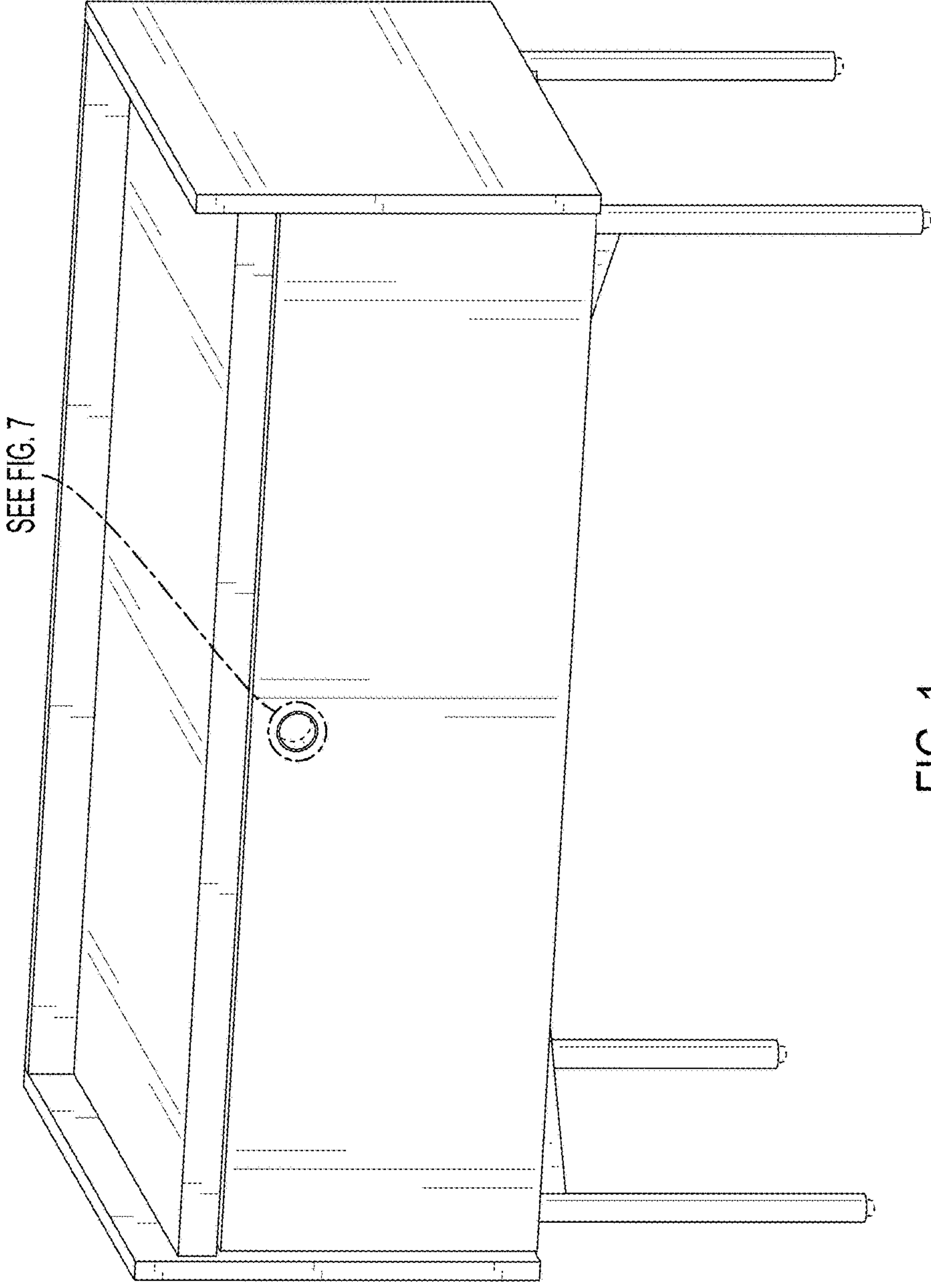


FIG. 1

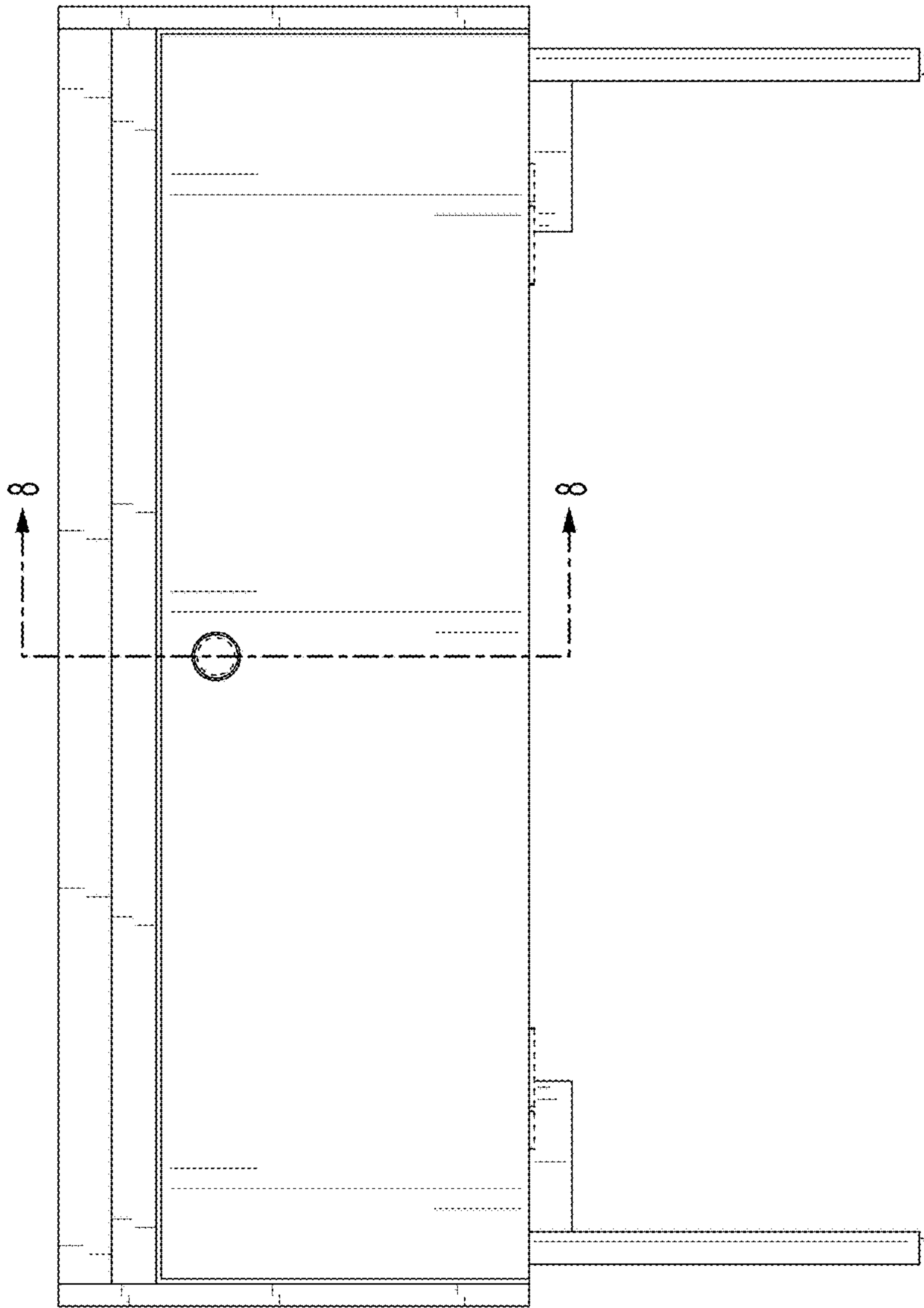


FIG. 2

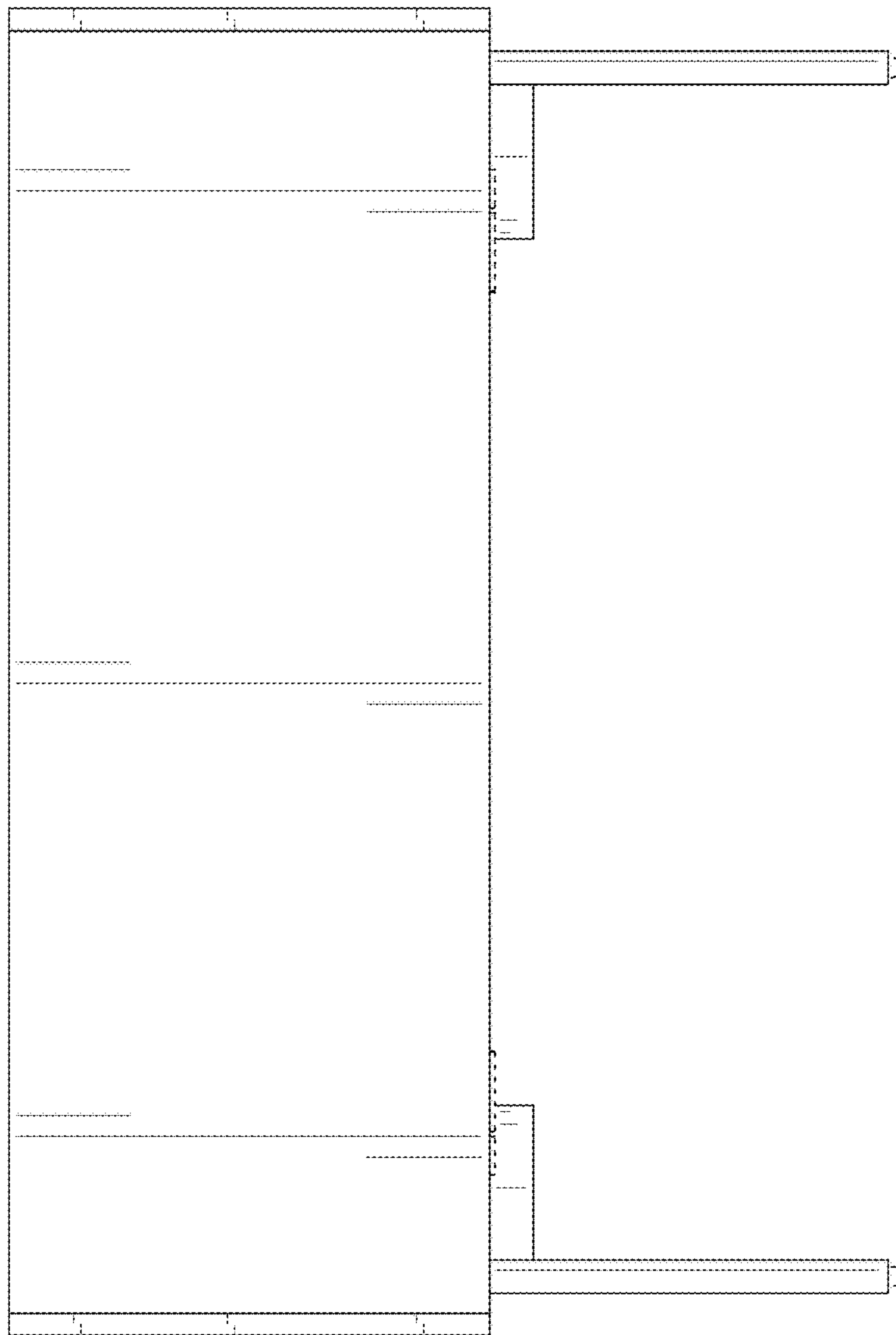


FIG. 3

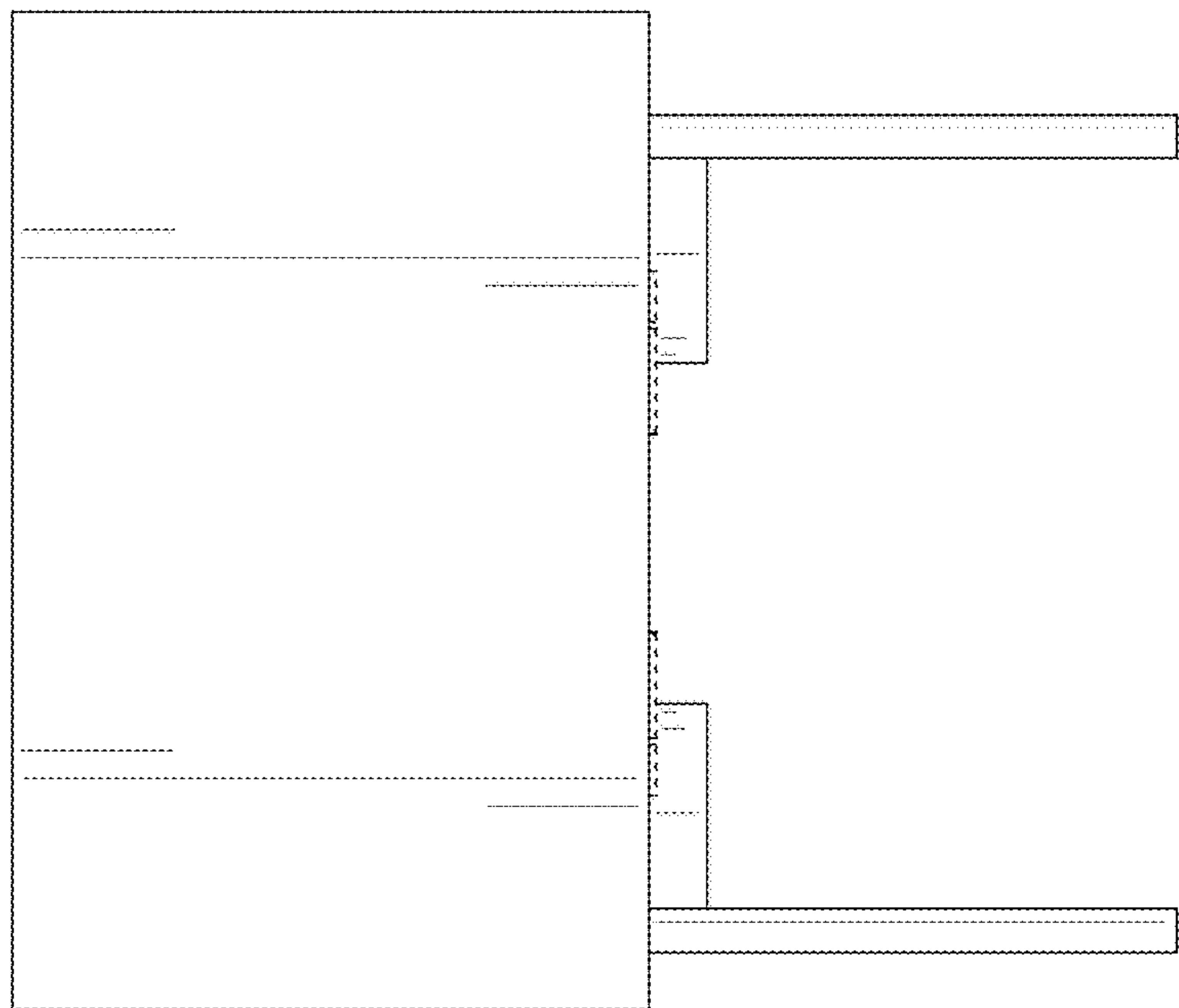


FIG. 4

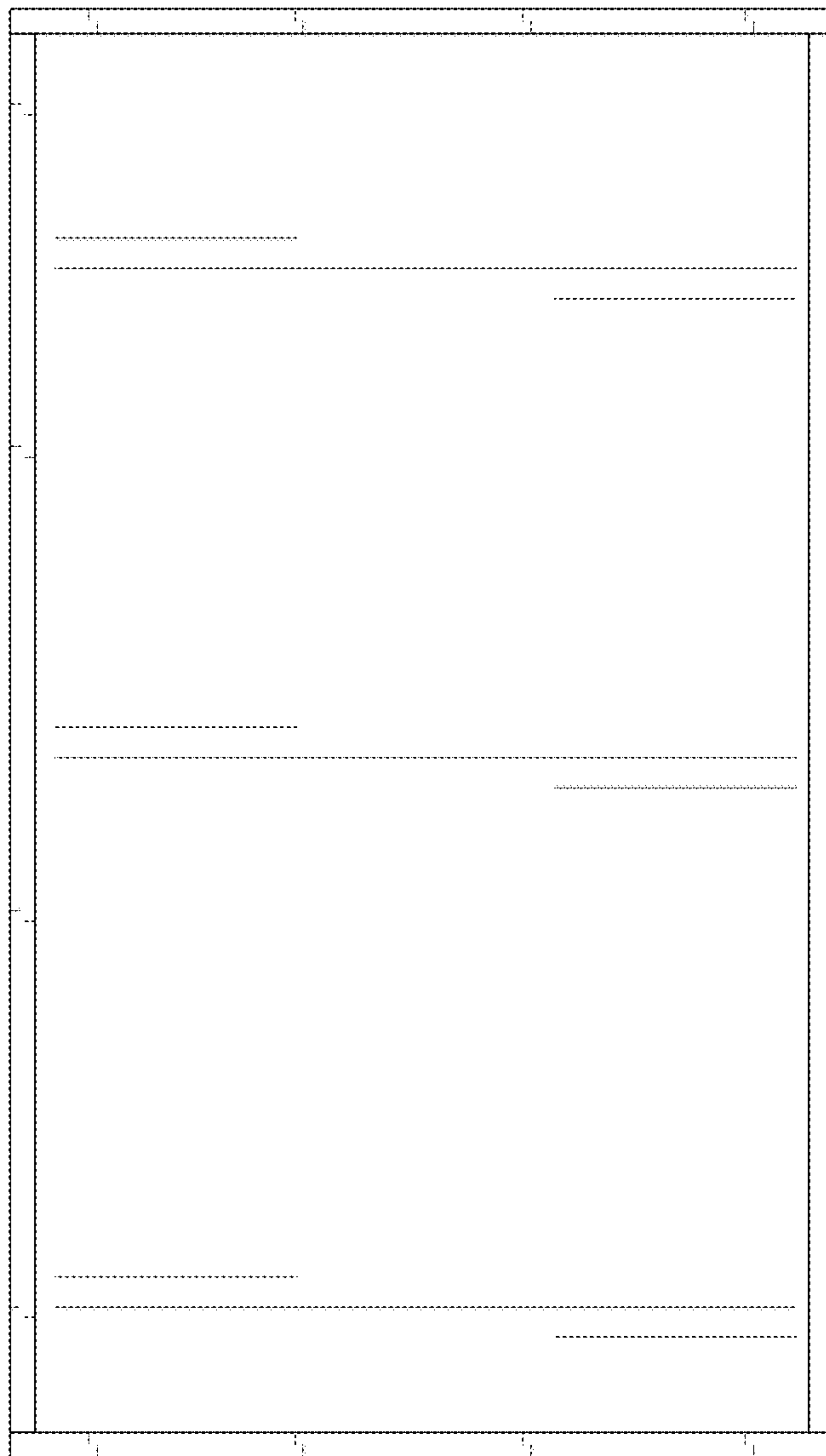


FIG. 5

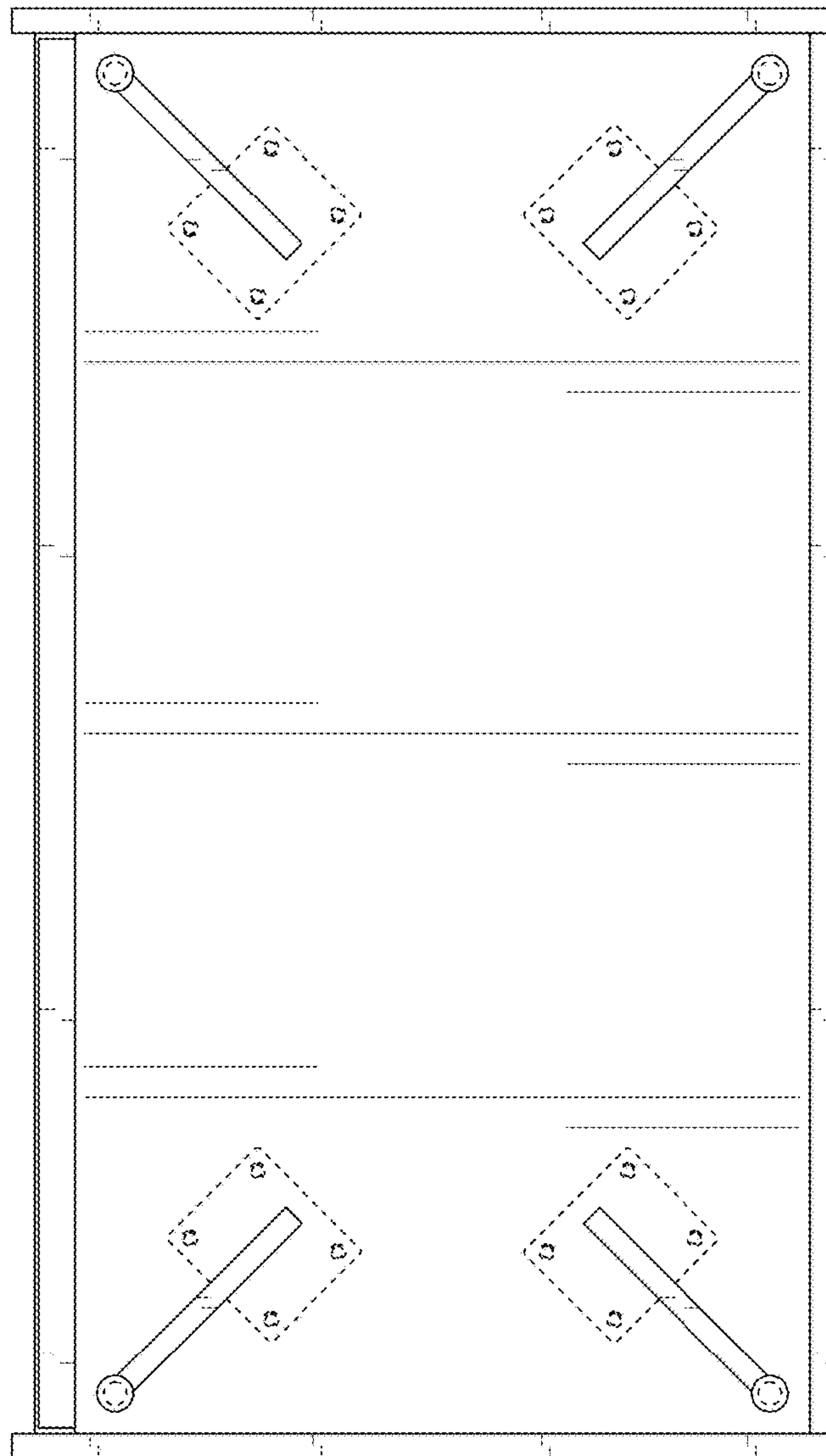


FIG. 6

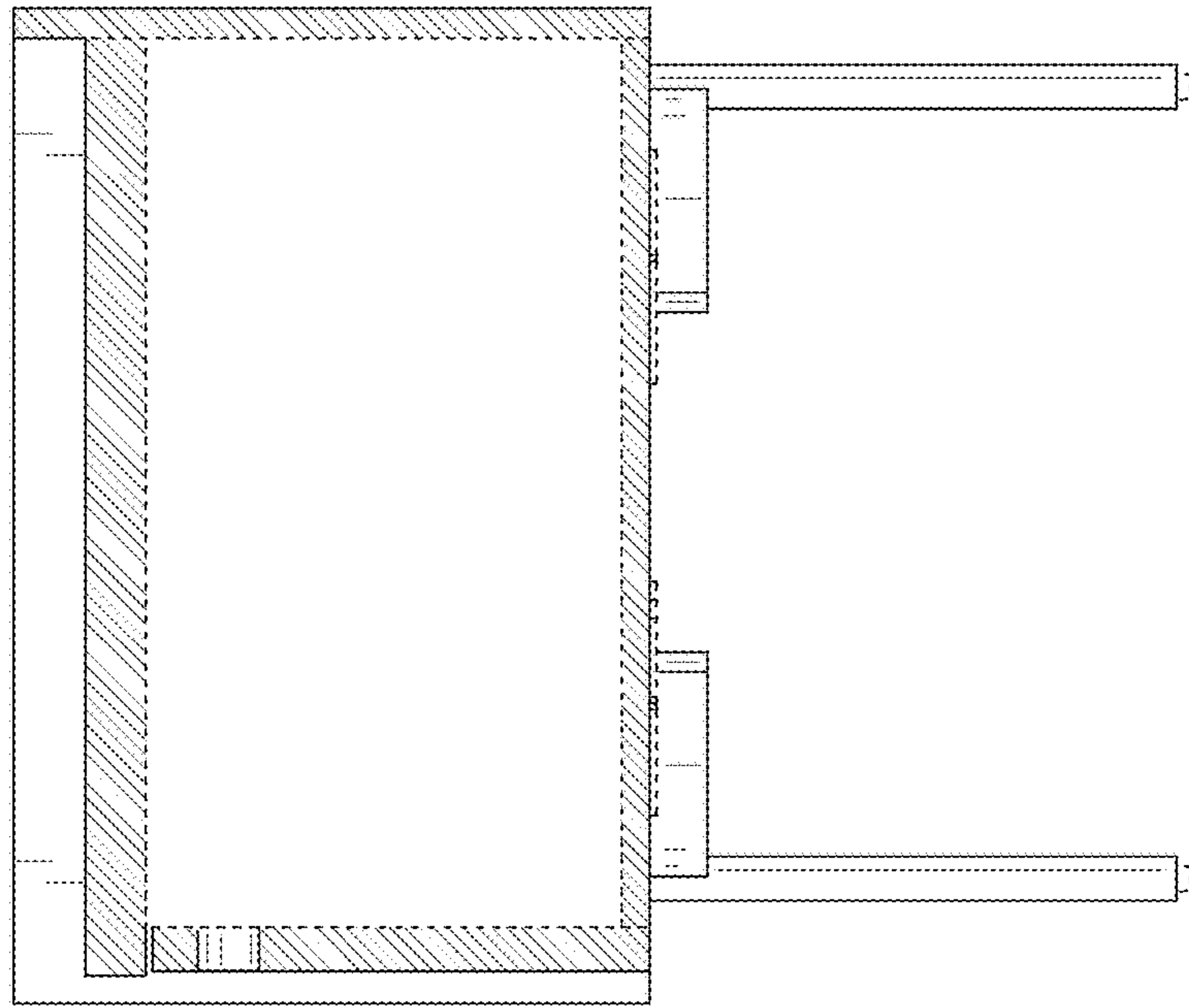


FIG. 8

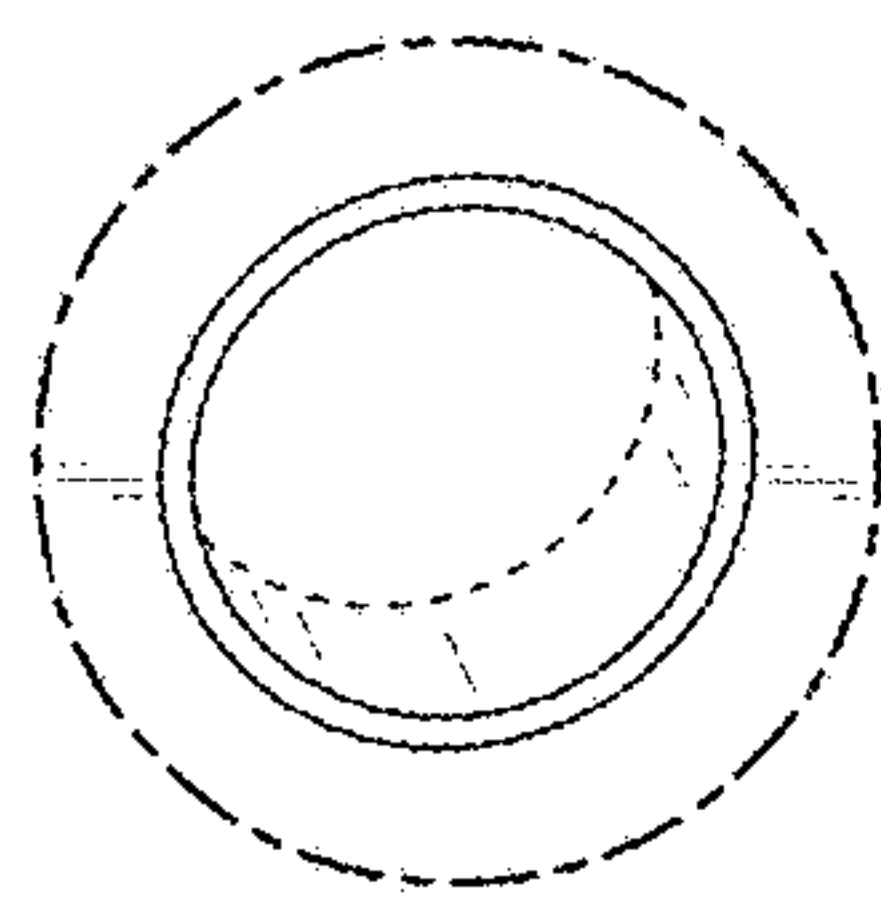


FIG. 7