



US00D862936S

(12) **United States Design Patent**
Laudadio et al.

(10) **Patent No.:** **US D862,936 S**

(45) **Date of Patent:** **** Oct. 15, 2019**

(54) **HEIGHT-ADJUSTABLE DESK**

(71) Applicant: **Versa Products Inc**, Los Angeles, CA (US)

(72) Inventors: **Christopher Laudadio**, Beverly Hills, CA (US); **Thomas Tanaka**, Marina del Rey, CA (US)

(**) Term: **15 Years**

(21) Appl. No.: **29/623,022**

(22) Filed: **Oct. 20, 2017**

(51) **LOC (12) Cl.** **06-03**

(52) **U.S. Cl.**

USPC **D6/656.15; D14/447**

(58) **Field of Classification Search**

USPC D6/652, 654, 654.1, 654.17, 655, 655.1, D6/655.11, 655.13, 655.14, 655.17, D6/655.18, 656, 656.12, 656.13, 656.15, D6/656.16, 656.17, 656.19, 675, 684, D6/686, 687, 688, 691, 698, 707.19, D6/708.21; D14/446, 447, 451, 452
CPC .. A47B 3/00; A47B 3/08; A47B 3/083; A47B 3/087; A47B 21/00; A47B 21/02; A47B 21/03; A47B 21/06; A47B 21/0073; A47B 21/0076; A47B 21/0314

See application file for complete search history.

(56) **References Cited**

U.S. PATENT DOCUMENTS

D649,552 S * 11/2011 Huang F16M 11/08 D14/452
D709,896 S * 7/2014 McKinstry D14/447
D769,881 S * 10/2016 Lazzi D14/452

D787,237 S * 5/2017 Bowman D6/656.15
D791,776 S * 7/2017 Monsalve D14/447
D812,066 S * 3/2018 Lazzi D14/447
9,993,071 B2 * 6/2018 Hung A47B 21/02
10,004,327 B2 * 6/2018 McRorie, III A47B 21/02
D829,023 S * 9/2018 Gu D6/656.15
D837,223 S * 1/2019 Wu D14/451
D841,014 S * 2/2019 Laudadio D14/447
2018/0228279 A1 * 8/2018 Guzman A47B 9/14

* cited by examiner

Primary Examiner — Mary Ann Calabrese

Assistant Examiner — Catherine Ho

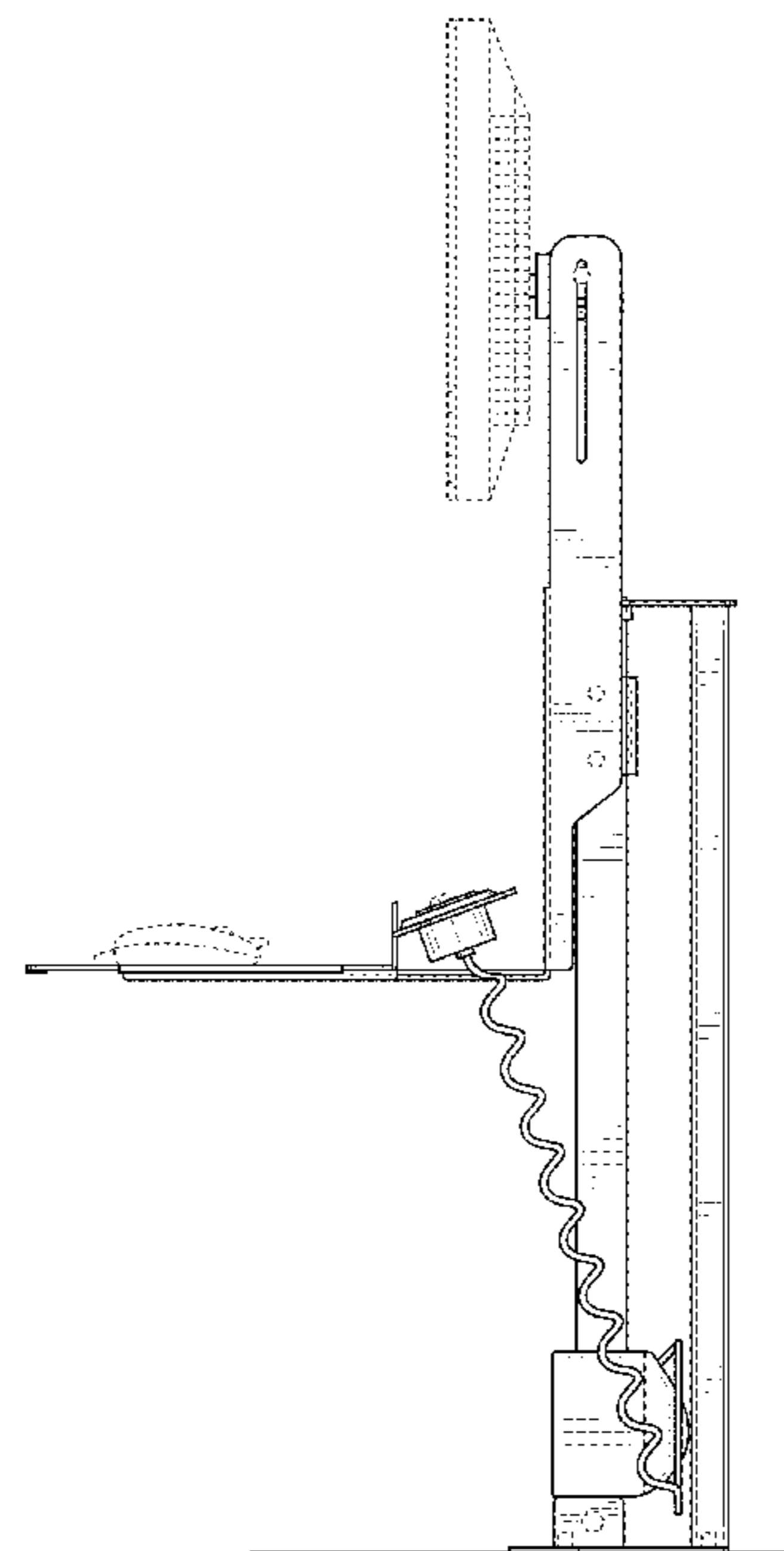
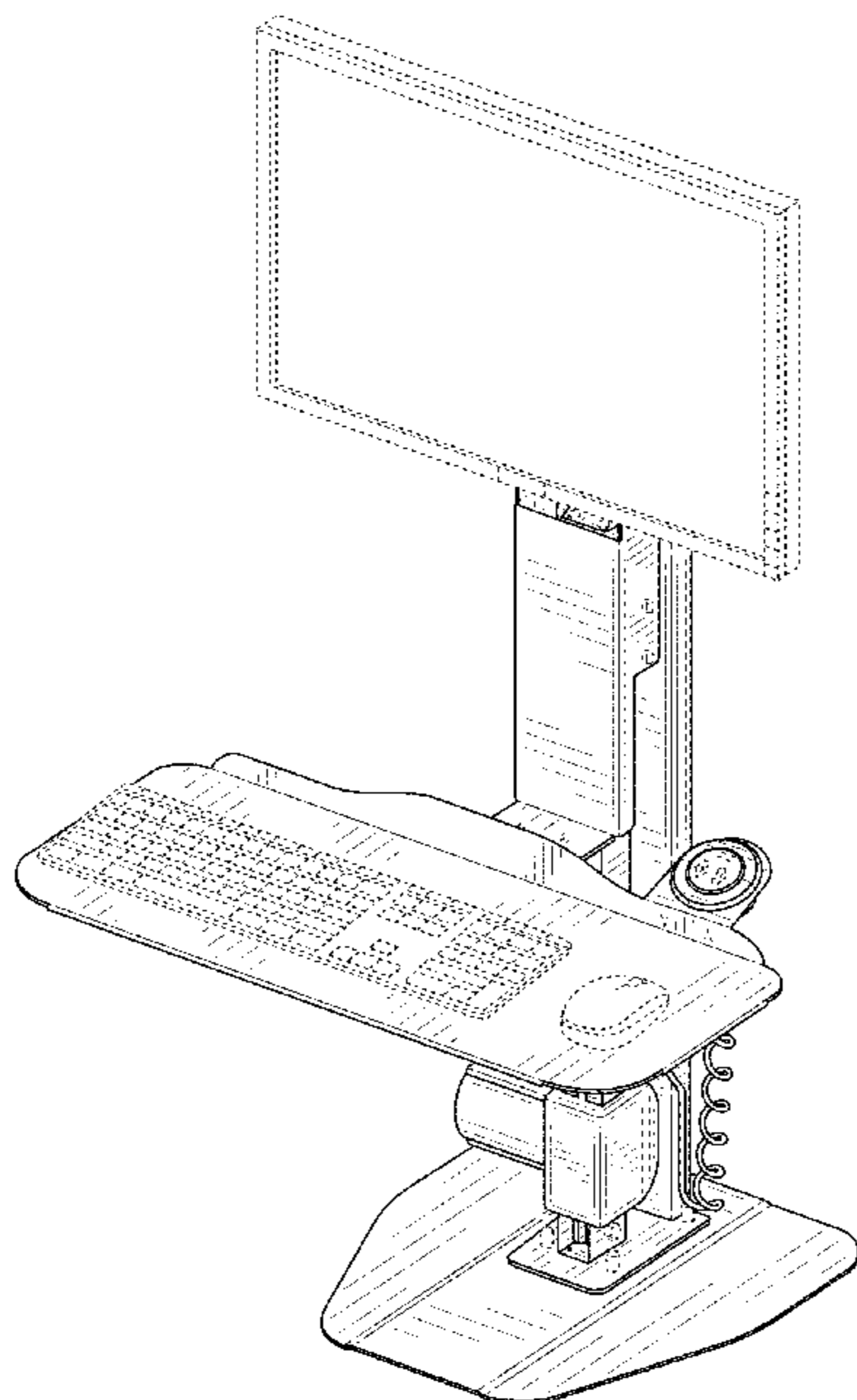
(57) **CLAIM**

I claim the ornamental design for a height-adjustable desk, as shown and described.

DESCRIPTION

FIG. 1 is a front perspective view of a height-adjustable desk showing our new design;
FIG. 2 is a front view thereof;
FIG. 3 is a rear view thereof;
FIG. 4 is a right view thereof;
FIG. 5 is a left view thereof;
FIG. 6 is a top plan view thereof;
FIG. 7 is a bottom plan view thereof;
FIG. 8 is a perspective view of a height-adjustable desk in an alternate position;
FIG. 9 is a perspective view of a height-adjustable desk in another alternate position; and,
FIG. 10 is a perspective view of a height-adjustable desk in another alternate position.
The broken line portion of the figure drawings is included to show portions of the article that form no part of the claimed design.

1 Claim, 10 Drawing Sheets



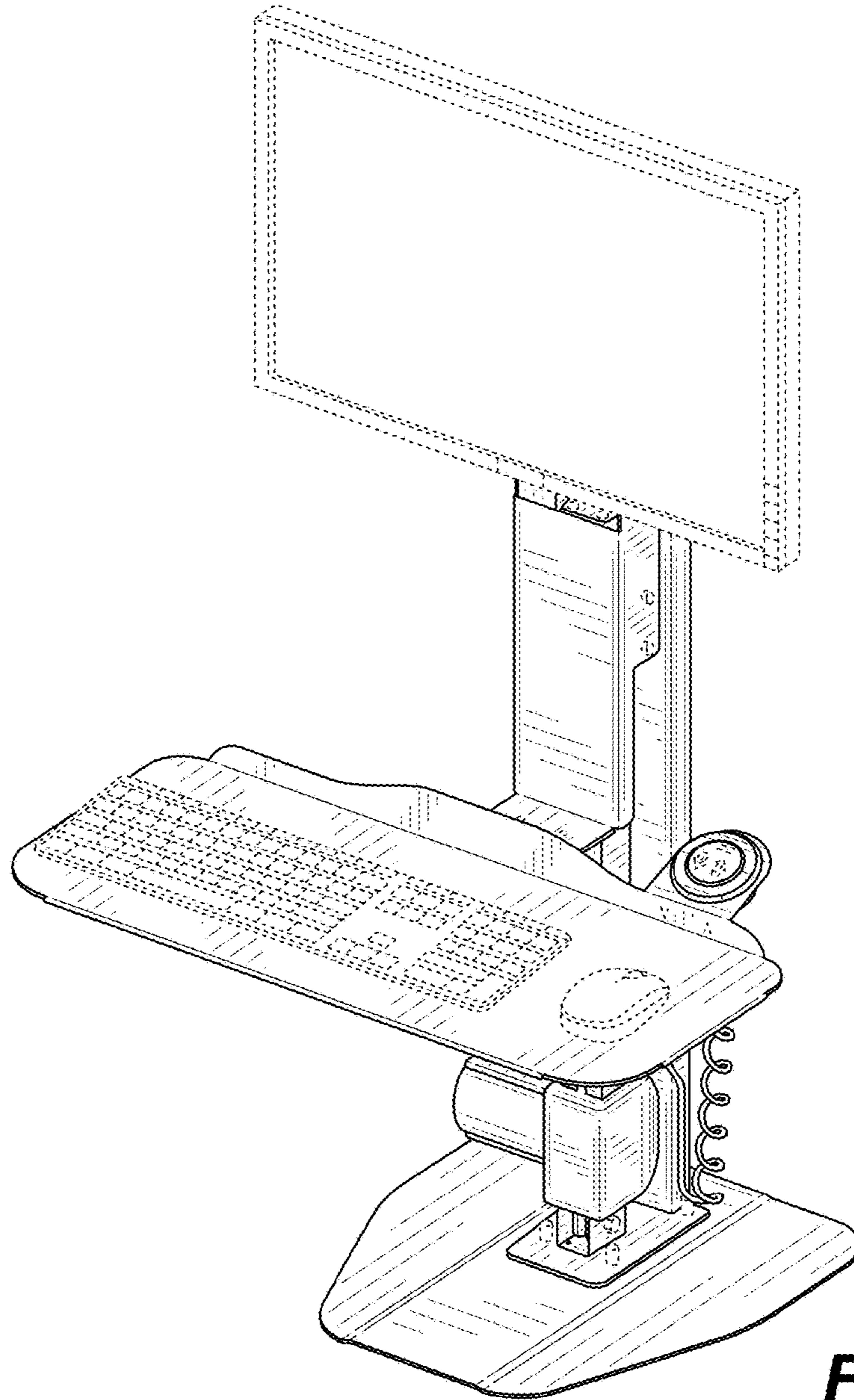


FIG. 1

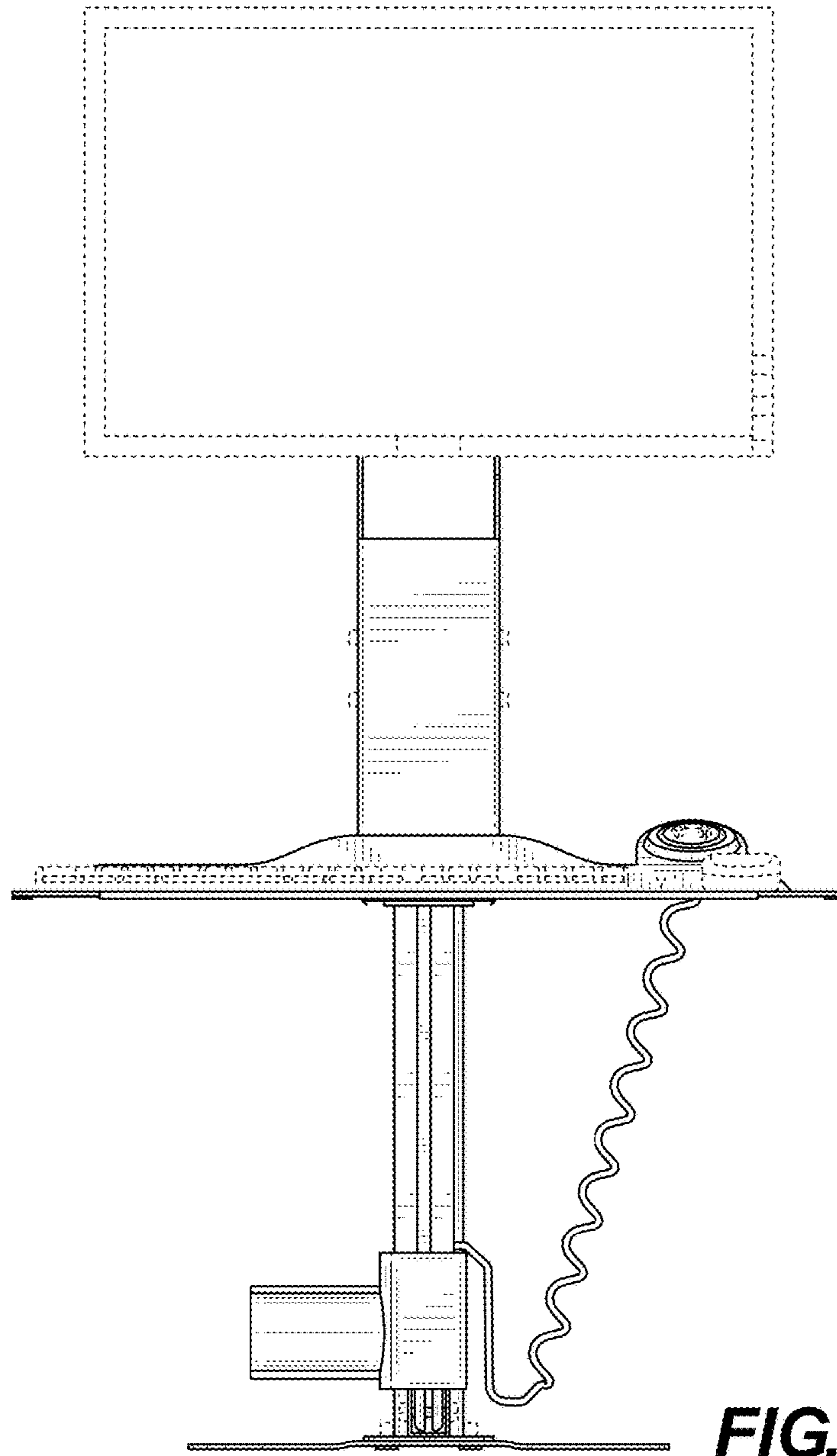


FIG. 2

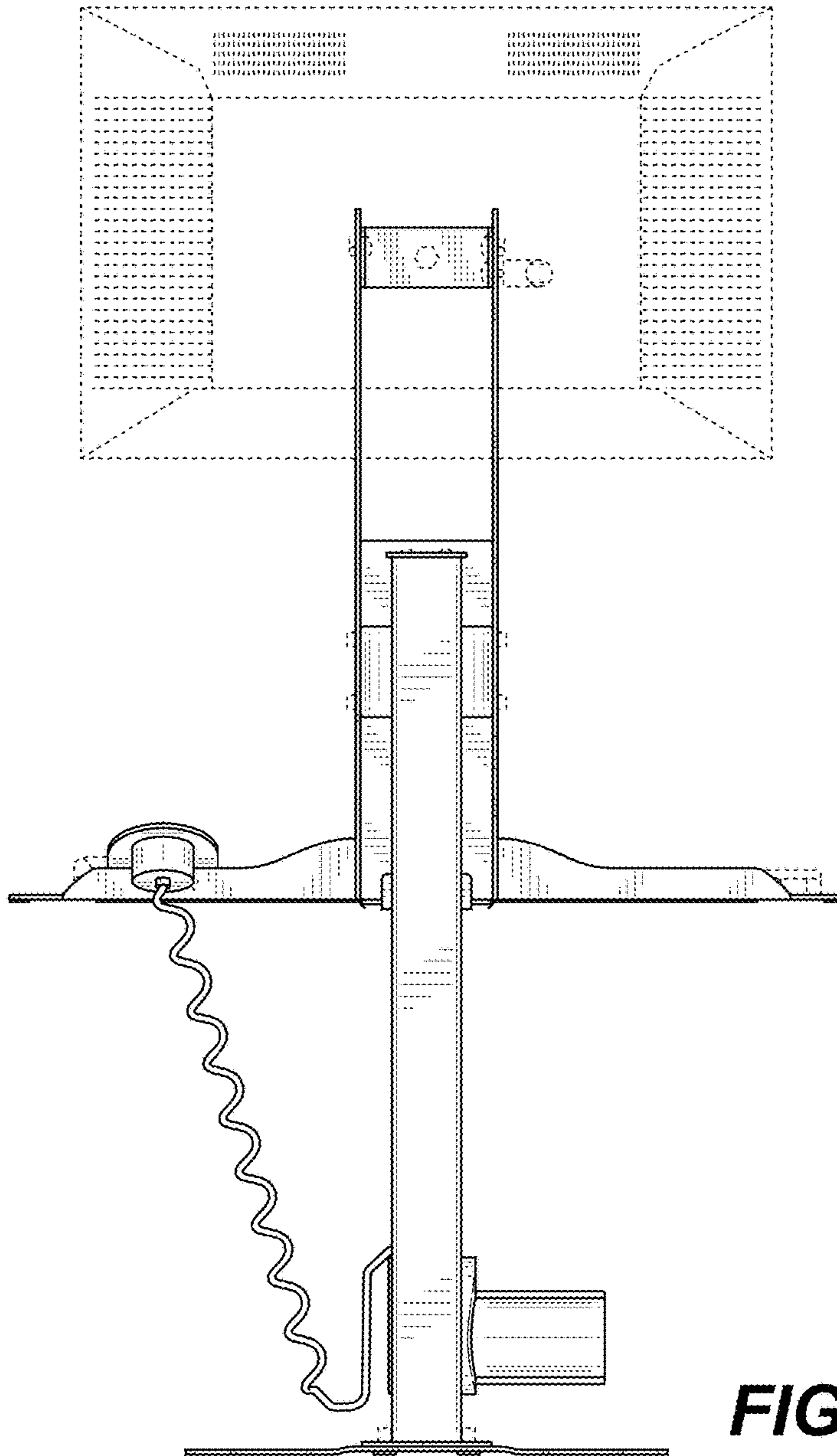


FIG. 3

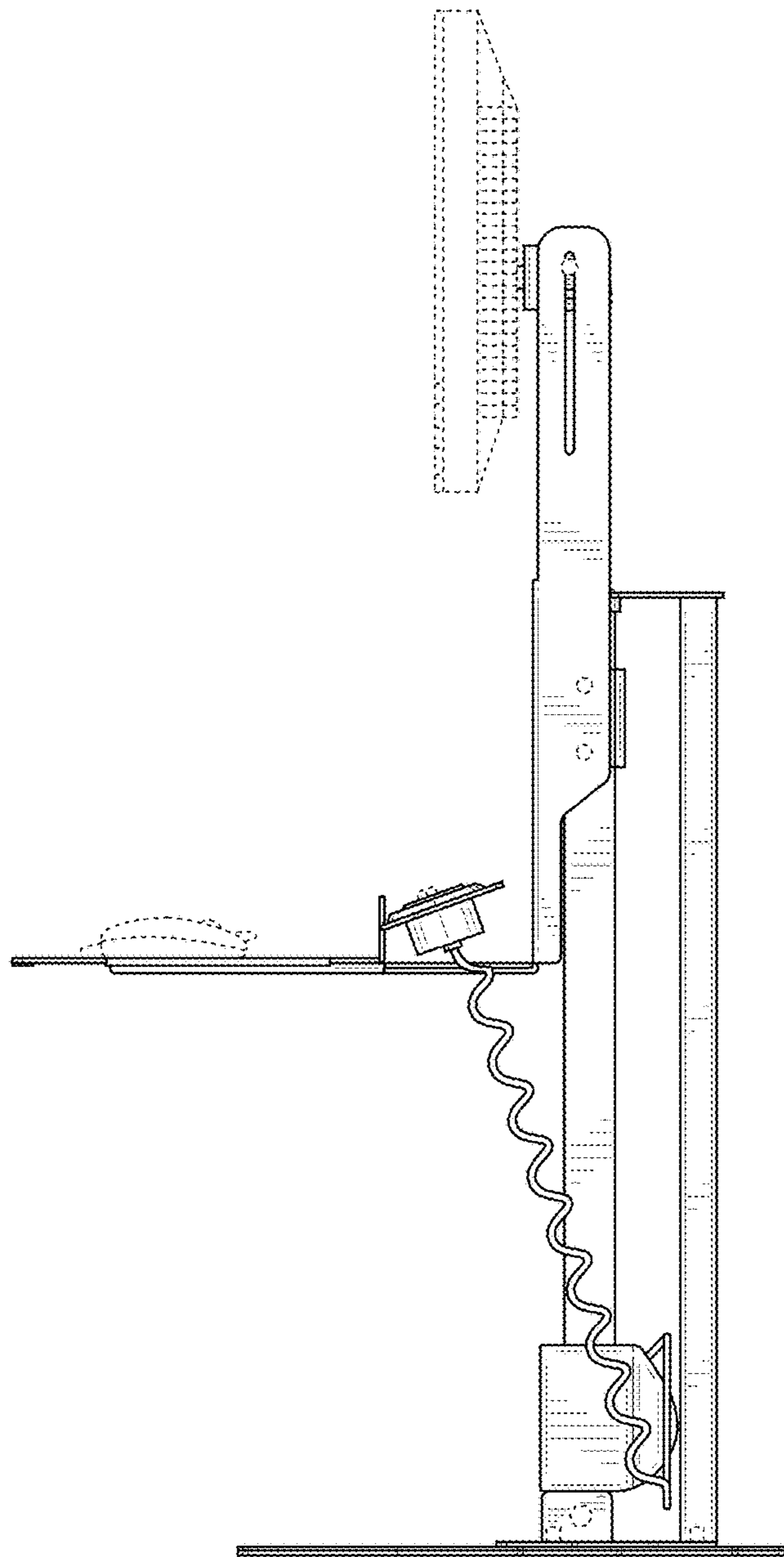
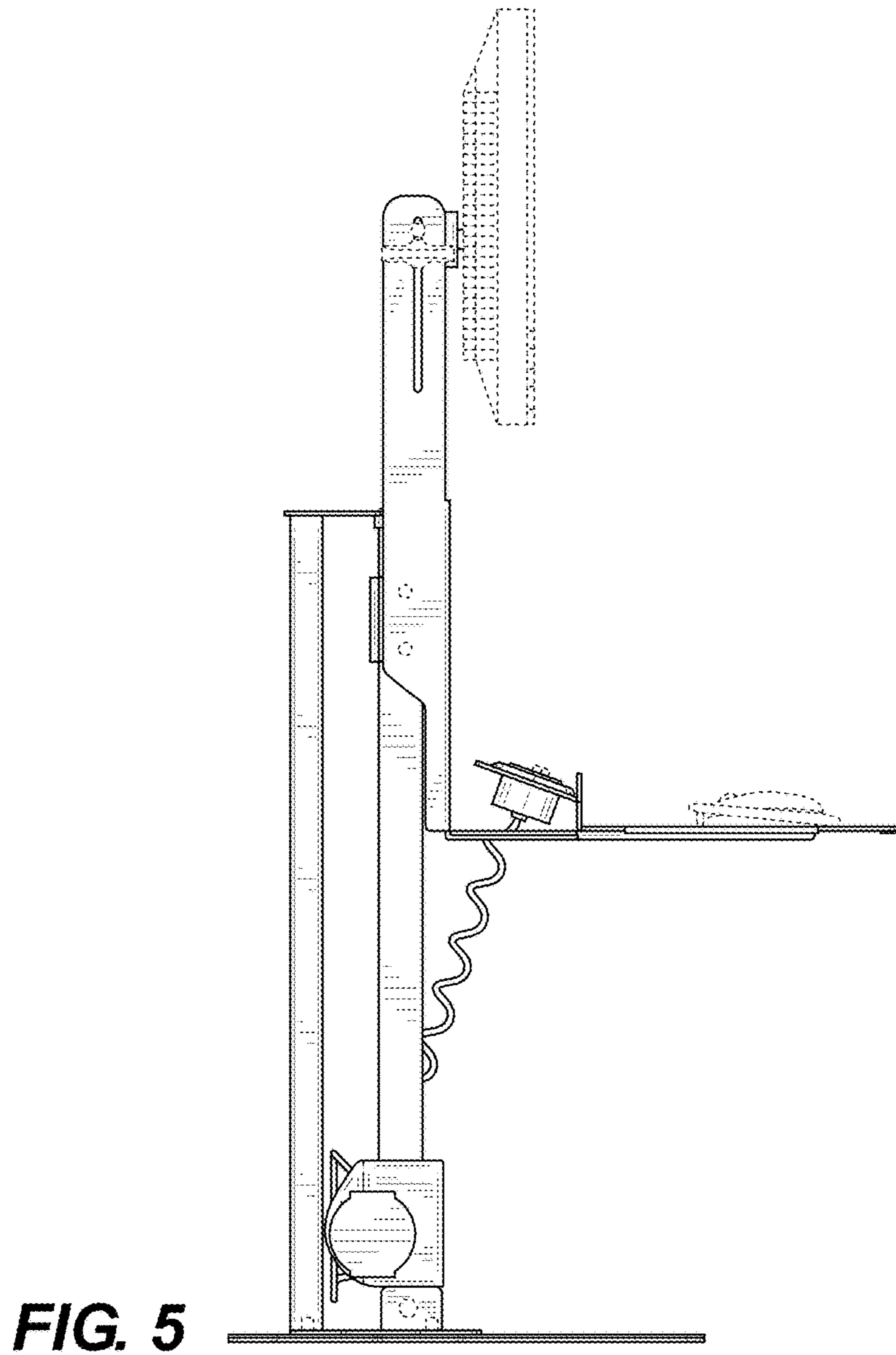


FIG. 4



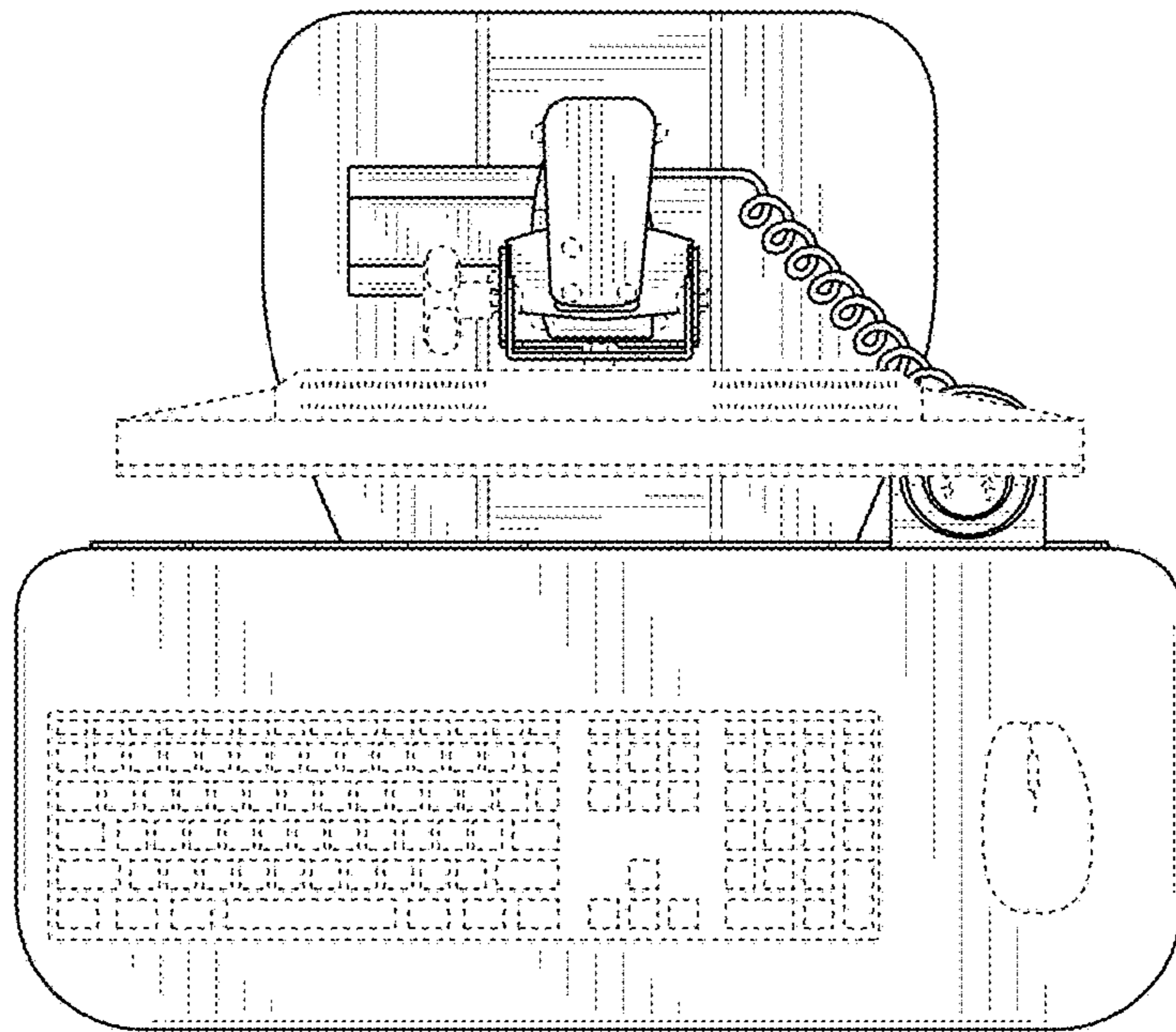


FIG. 6

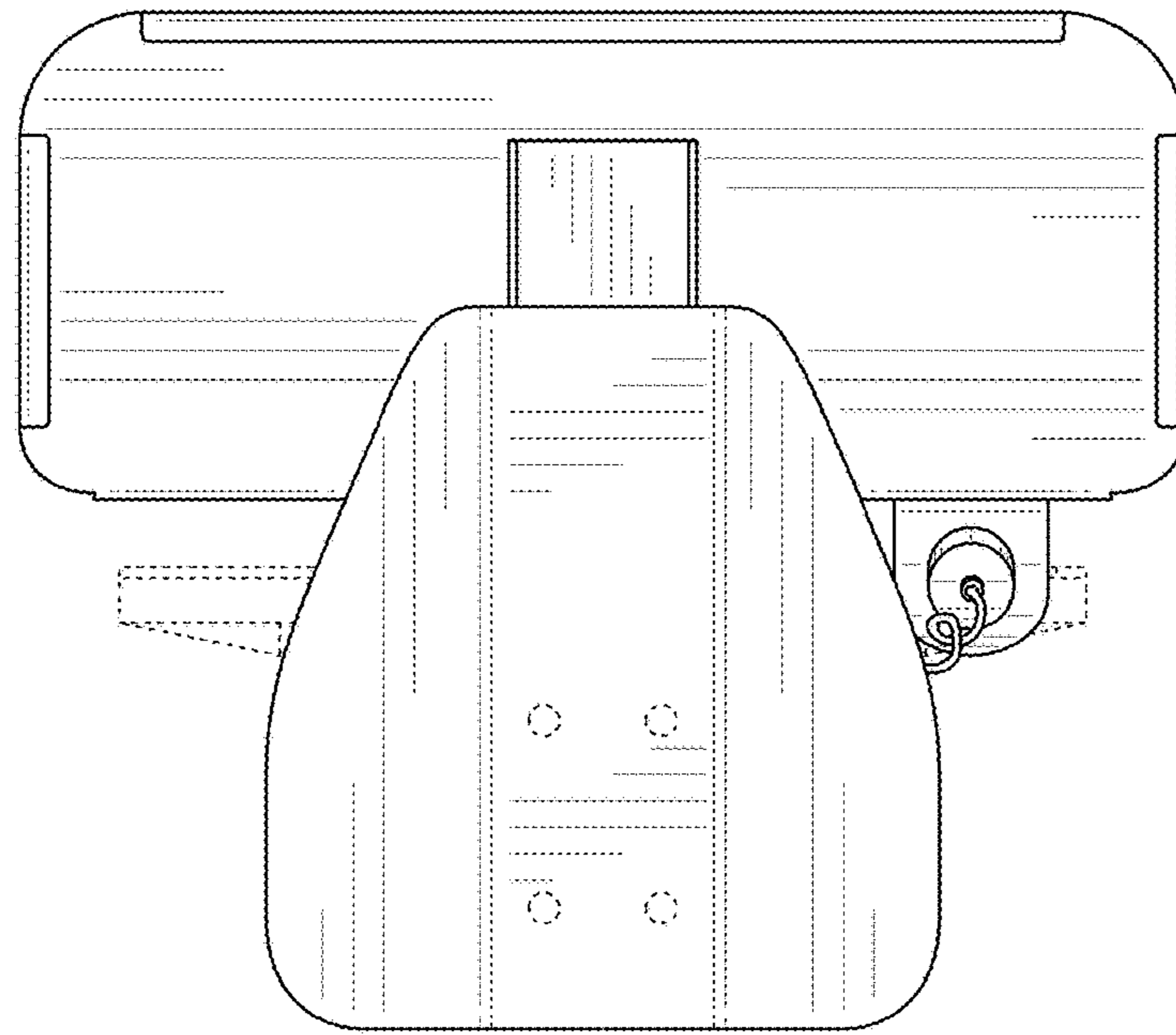


FIG. 7

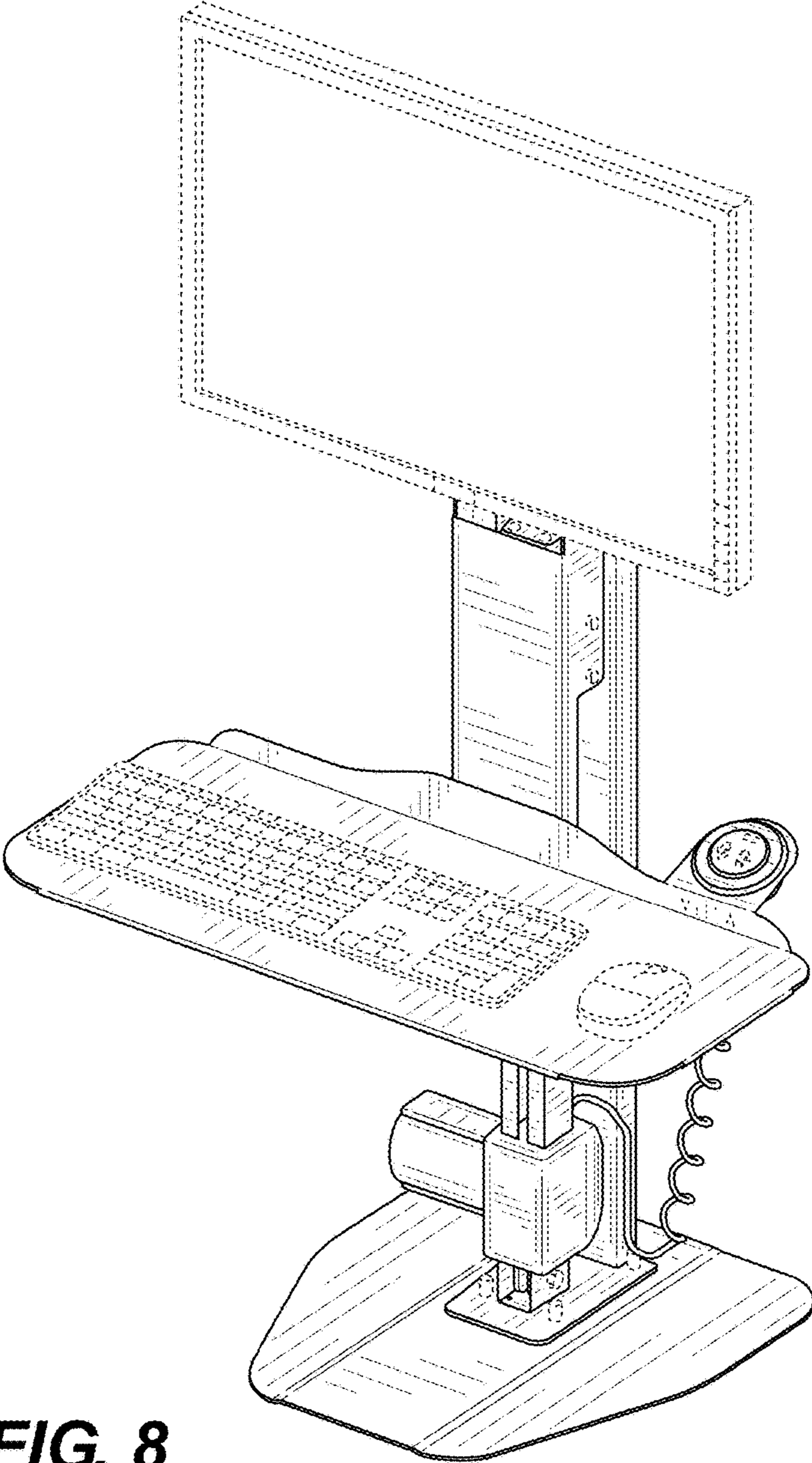


FIG. 8

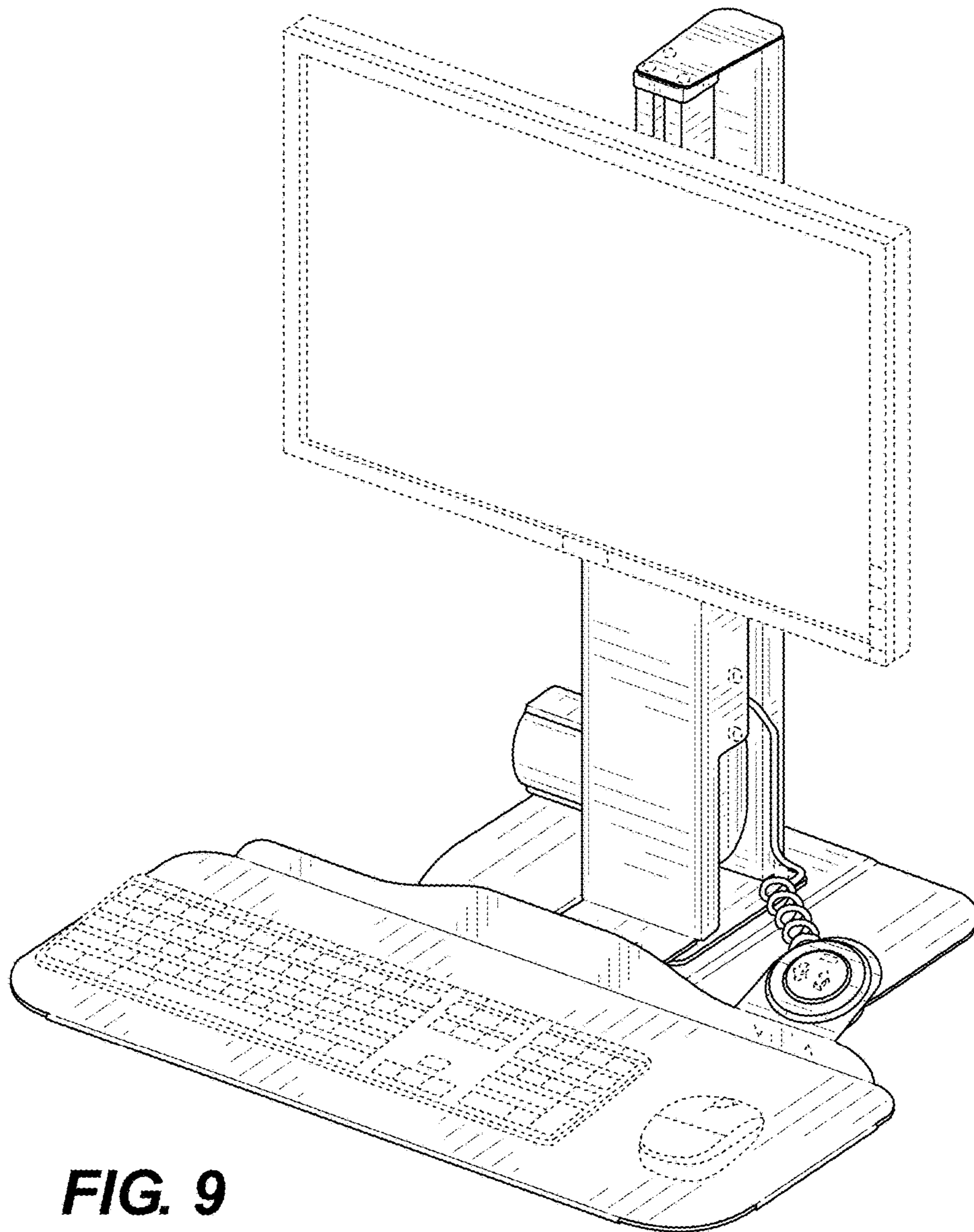


FIG. 9

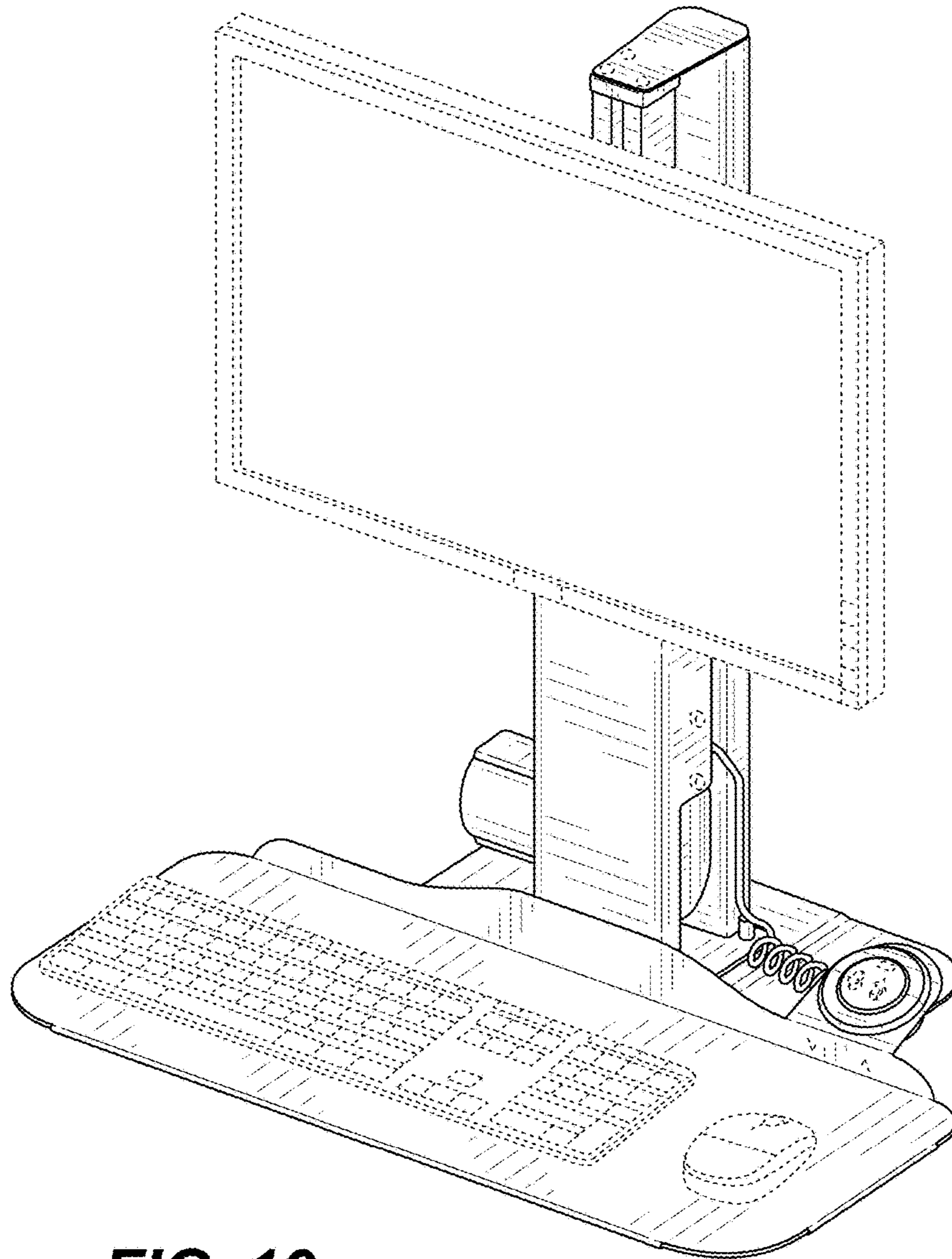


FIG. 10