



US00D862927S

(12) **United States Design Patent**
Levin

(10) **Patent No.:** **US D862,927 S**

(45) **Date of Patent:** **** Oct. 15, 2019**

(54) **MAT ASSEMBLY**

(71) Applicant: **John Levin**, Beverly Hills, CA (US)

(72) Inventor: **John Levin**, Beverly Hills, CA (US)

(**) Term: **15 Years**

(21) Appl. No.: **29/630,301**

(22) Filed: **Dec. 20, 2017**

(51) **LOC (12) Cl.** **06-11**

(52) **U.S. Cl.**
USPC **D6/588**; D6/592

(58) **Field of Classification Search**
USPC D6/331, 333, 582-588, 591, 592, 596,
D6/601, 608; D7/551.1; D19/10;
D21/334, 792; D24/212; D30/129, 161
CPC A47D 15/003; A47G 27/00; A47G 27/02;
A47G 27/0206; A47G 27/0212; A47G
27/0218; A47G 27/0225; A47G 27/0231;
A47G 27/0237; A47G 27/0275; A47G
27/0293; A47G 9/062; A47K 3/002;
A63B 6/00; A63H 33/006
See application file for complete search history.

(56) **References Cited**

U.S. PATENT DOCUMENTS

- 4,942,072 A * 7/1990 Chung A47G 27/0293
428/48
- 5,052,158 A * 10/1991 D'Luzansky A47G 27/0293
404/41
- D355,236 S * 2/1995 Szychowski D21/792
- D407,458 S * 3/1999 Soonlan D21/792
- D429,105 S * 8/2000 Dowd B32B 3/06
D21/792
- D448,596 S * 10/2001 Sublet D6/582
- 6,579,192 B2 * 6/2003 Sindelar A63B 67/02
273/DIG. 13
- 6,607,418 B2 * 8/2003 Henry A63H 33/32
434/126
- D480,252 S * 10/2003 Jacob D6/608

- D532,238 S * 11/2006 Thrush B32B 3/06
D6/582
- D552,909 S * 10/2007 McGrath B32B 3/02
D6/582
- D564,058 S * 3/2008 Stebbings D21/792
- D614,899 S * 5/2010 Lai D6/582

(Continued)

Primary Examiner — Kevin K Rudzinski

Assistant Examiner — Clare Ann Gannon

(74) *Attorney, Agent, or Firm* — Integrity Patent Group,
PLC; Charles E. Runyan

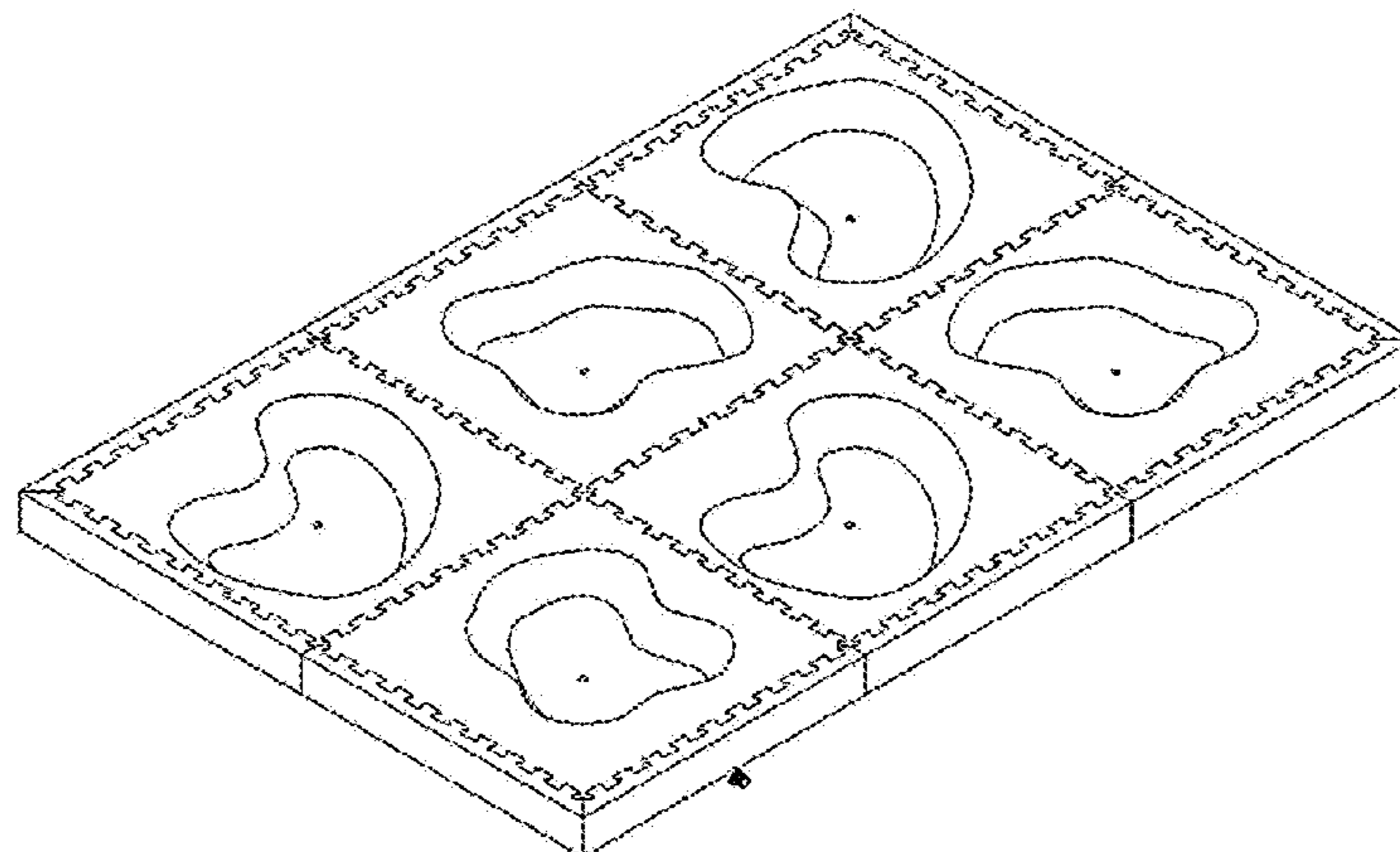
(57) **CLAIM**

The ornamental design for a mat assembly, as shown and described.

DESCRIPTION

FIG. 1 is a front top right isometric view of a mat assembly design showing my new design;
 FIG. 2 is a front top right isometric view of the mat assembly, in an exploded position;
 FIG. 3 is a front bottom left isometric view of the mat assembly;
 FIG. 4 is a front bottom right isometric view of the mat assembly;
 FIG. 5 is a front elevational view of the mat assembly;
 FIG. 6 is a top plan view of the mat assembly;
 FIG. 7 is a left elevational view of the mat assembly;
 FIG. 8 is a right elevational view of a mat assembly;
 FIG. 9 is a bottom plan view of the mat assembly;
 FIG. 10 is a rear elevational view of the mat assembly;
 FIG. 11 is a rear top left isometric view of the mat assembly;
 FIG. 12 is a rear top right isometric view of the mat assembly;
 FIG. 13 is a rear bottom right isometric view of the mat assembly; and,
 FIG. 14 is a rear bottom left isometric view of the mat assembly.

1 Claim, 14 Drawing Sheets



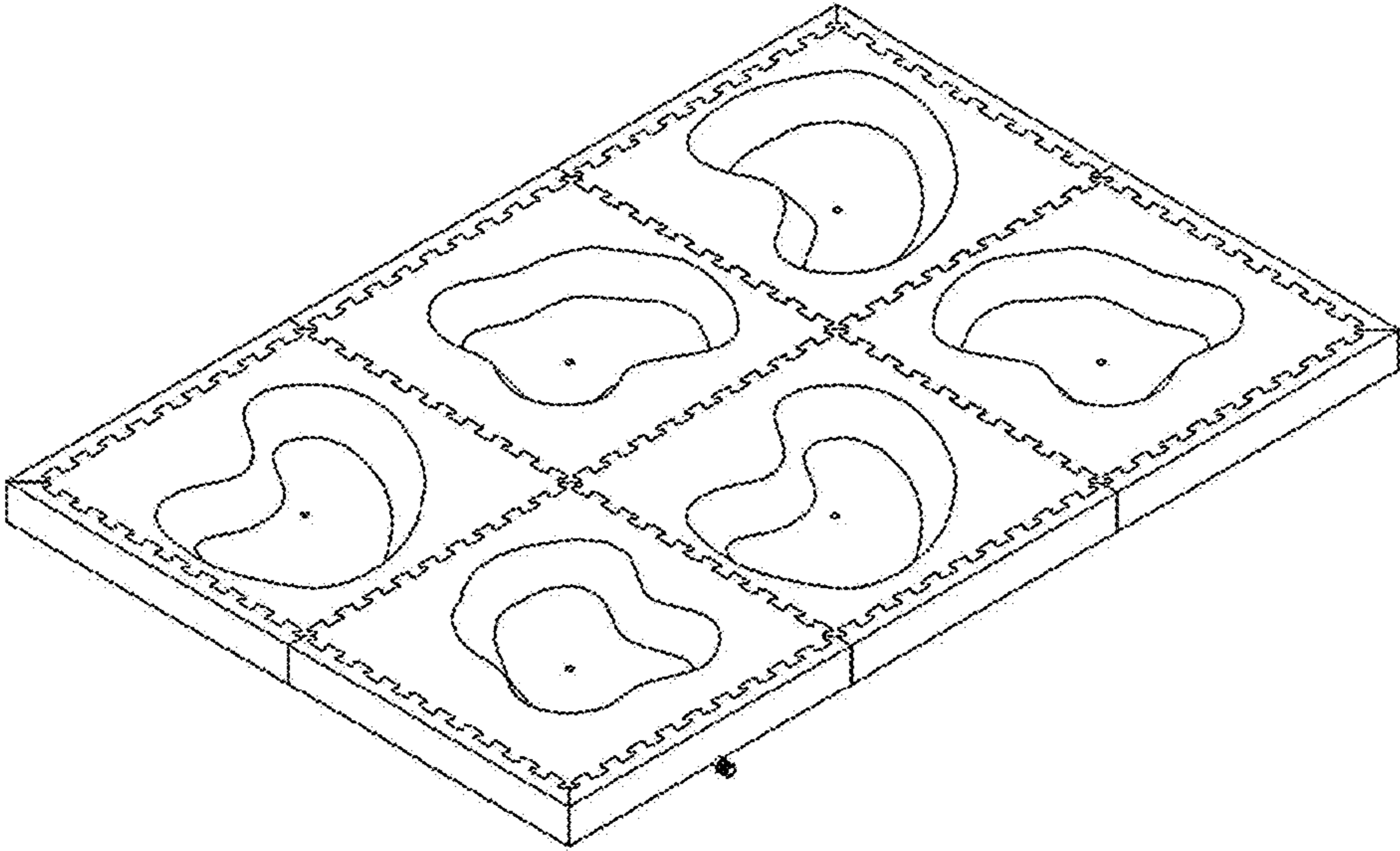


FIG. 1

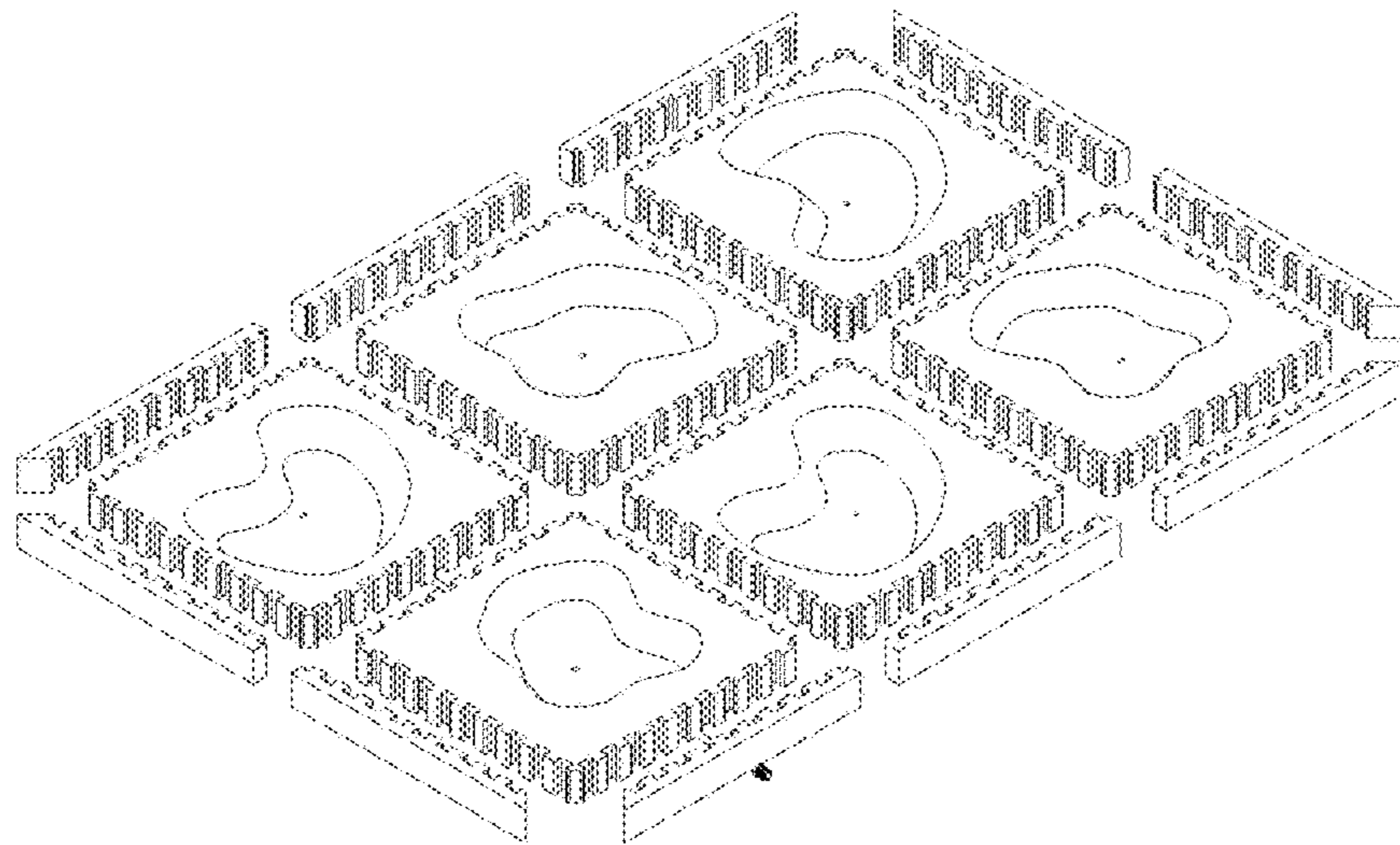


FIG. 2

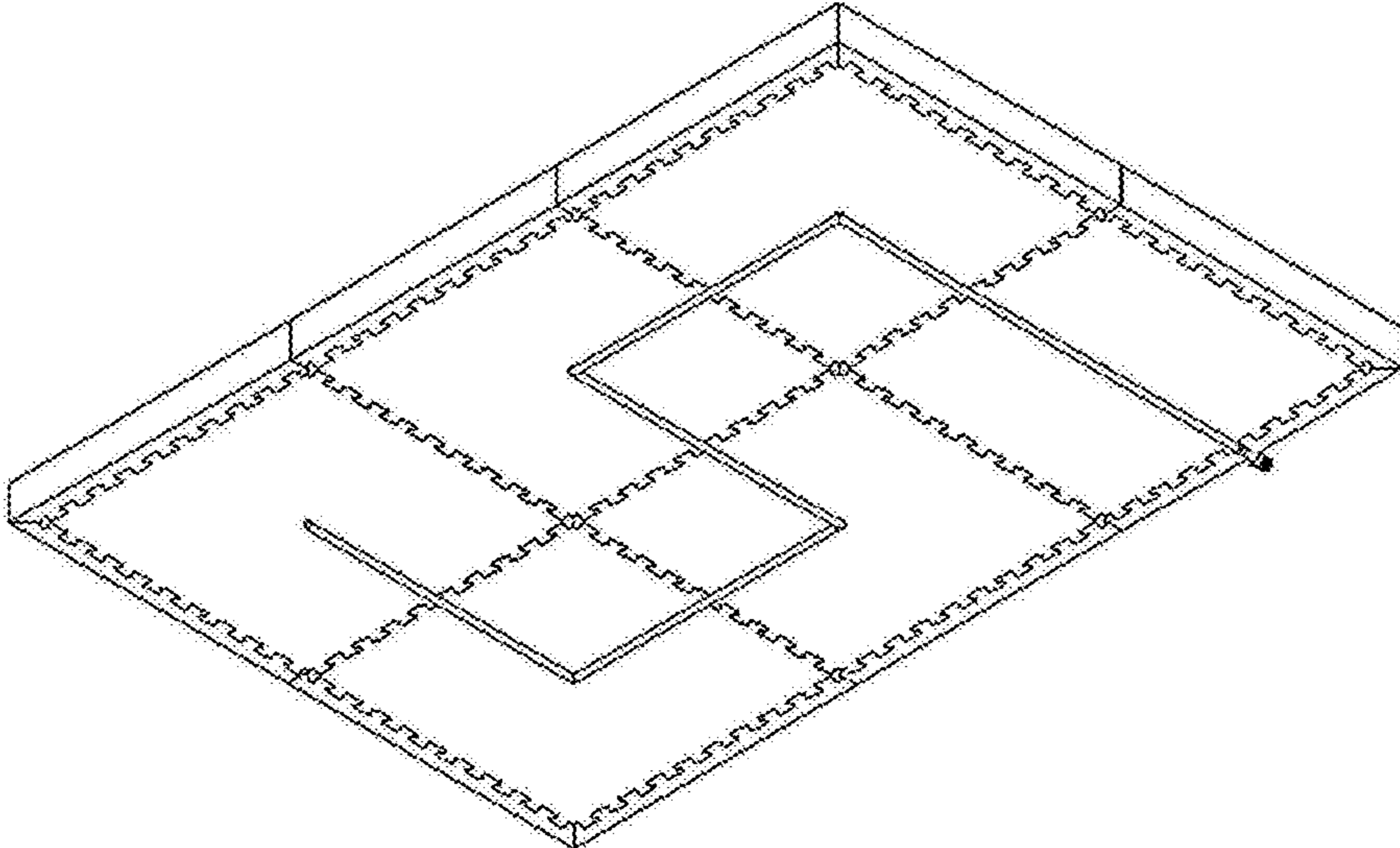


FIG. 3

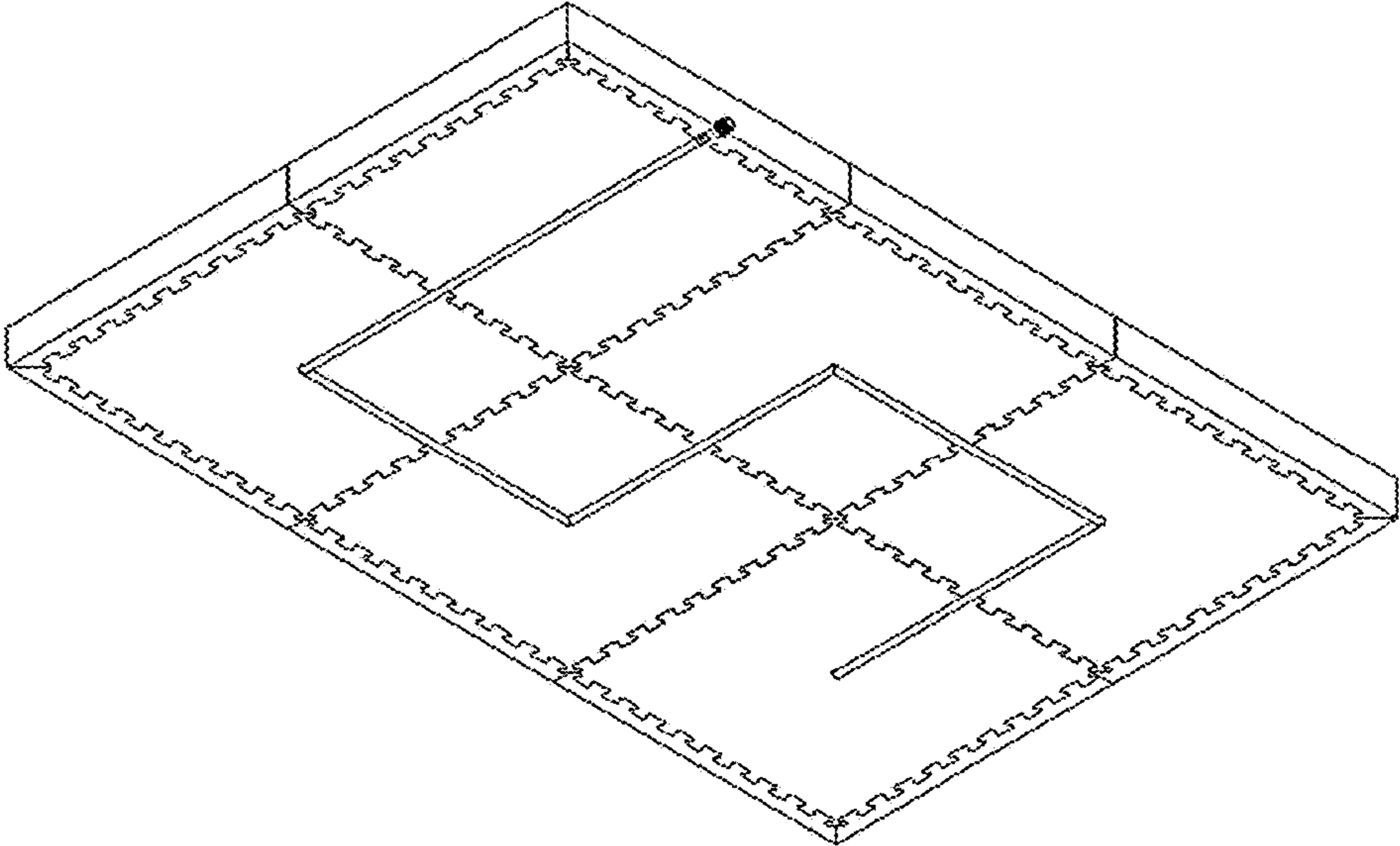


FIG. 4

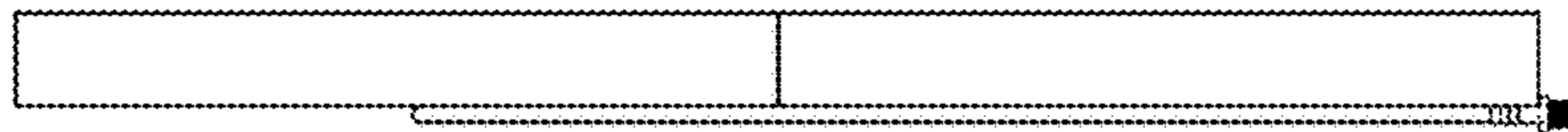


FIG. 5

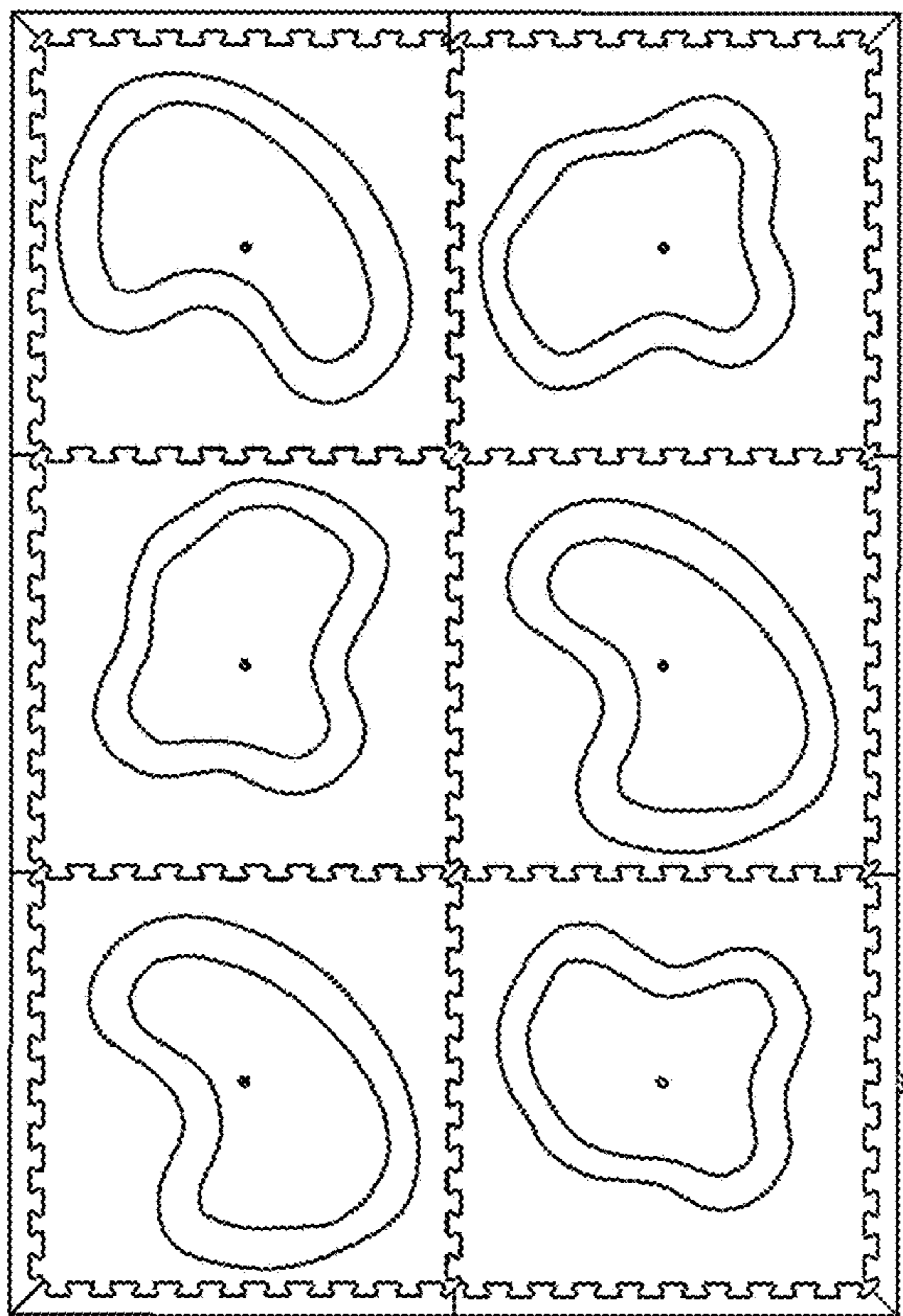


FIG. 6



FIG. 7



FIG.8

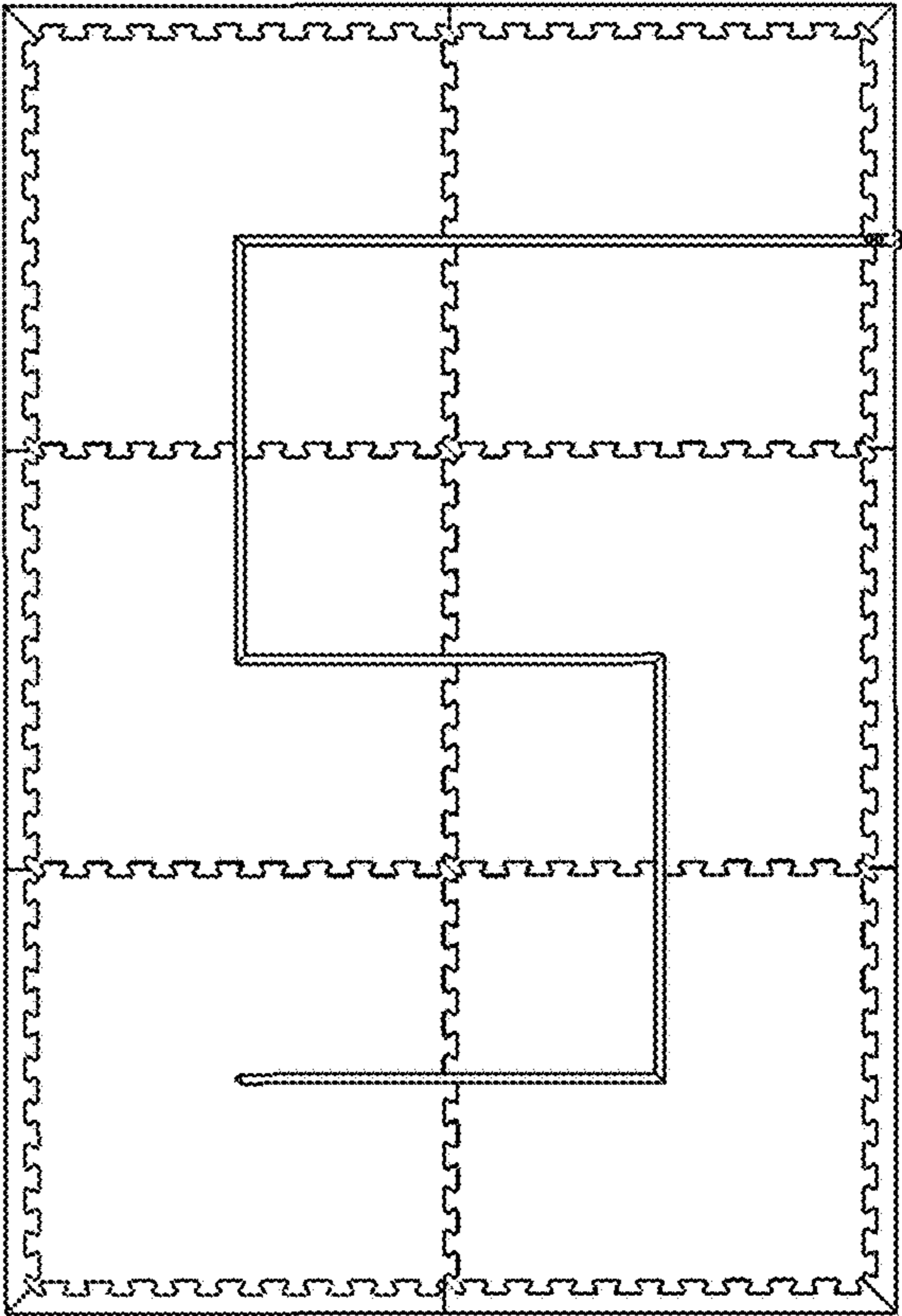


FIG. 9

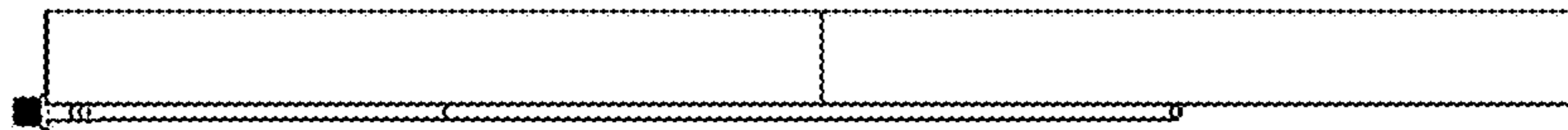


FIG. 10

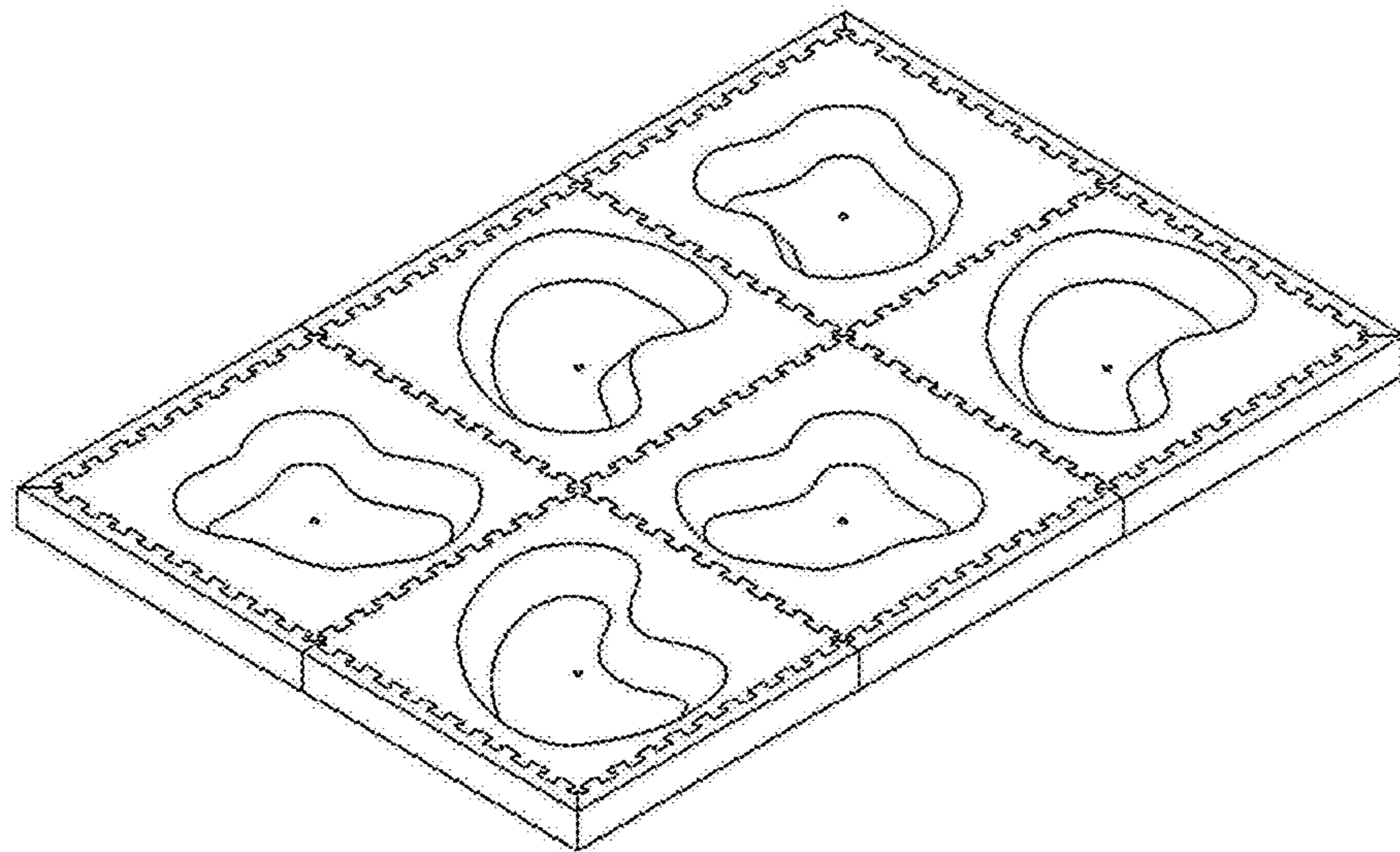


FIG. 11

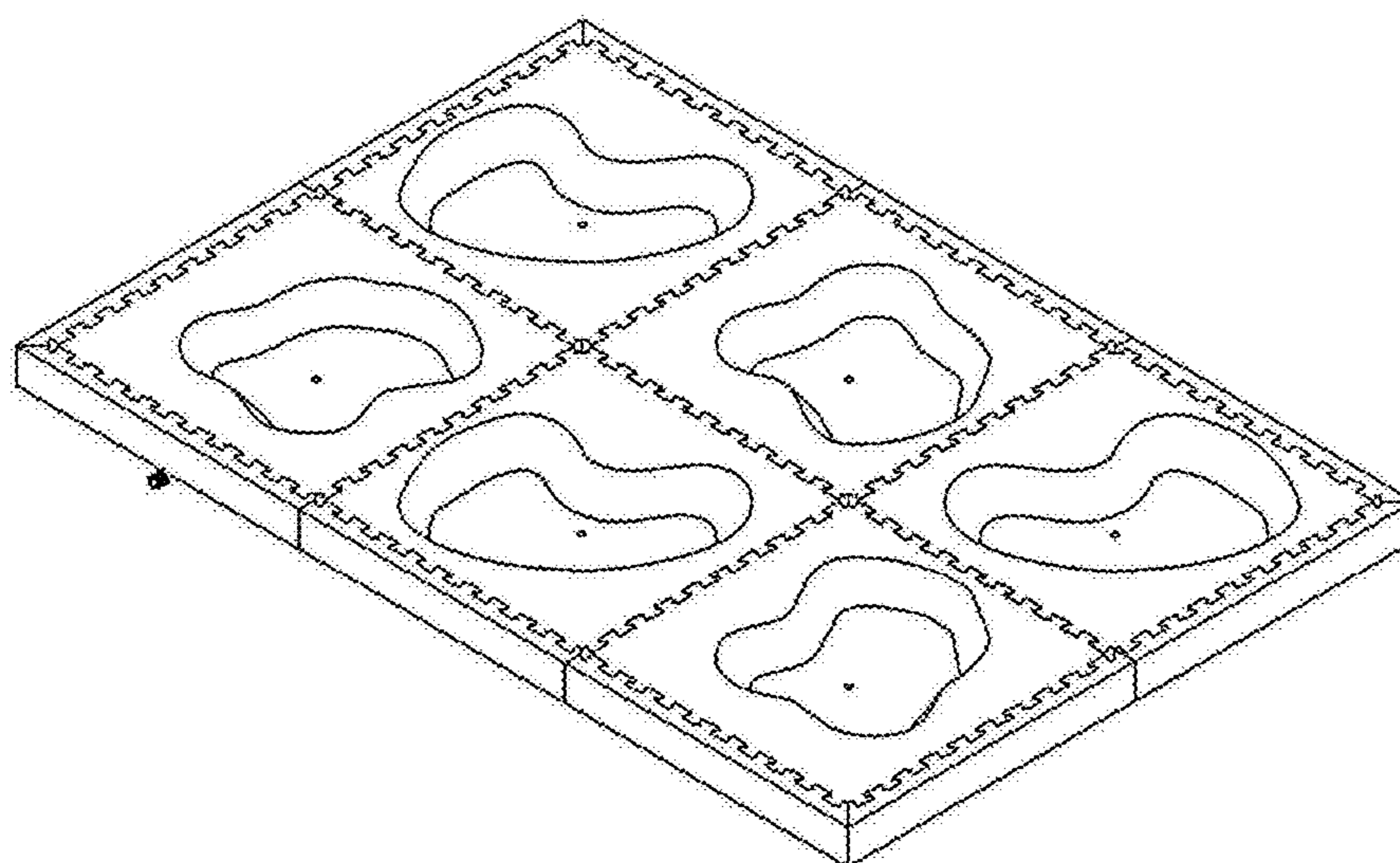


FIG. 12

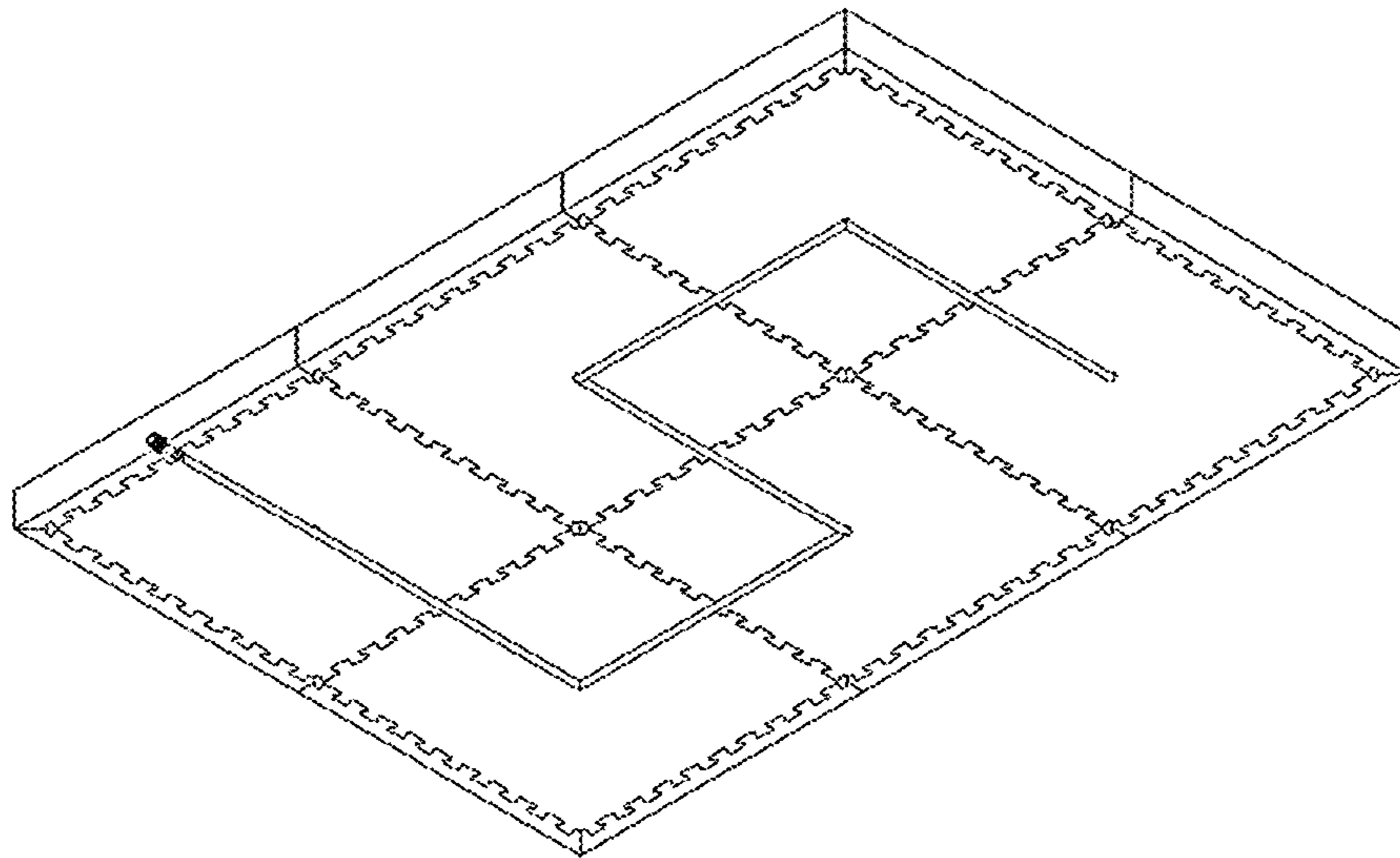


FIG. 13

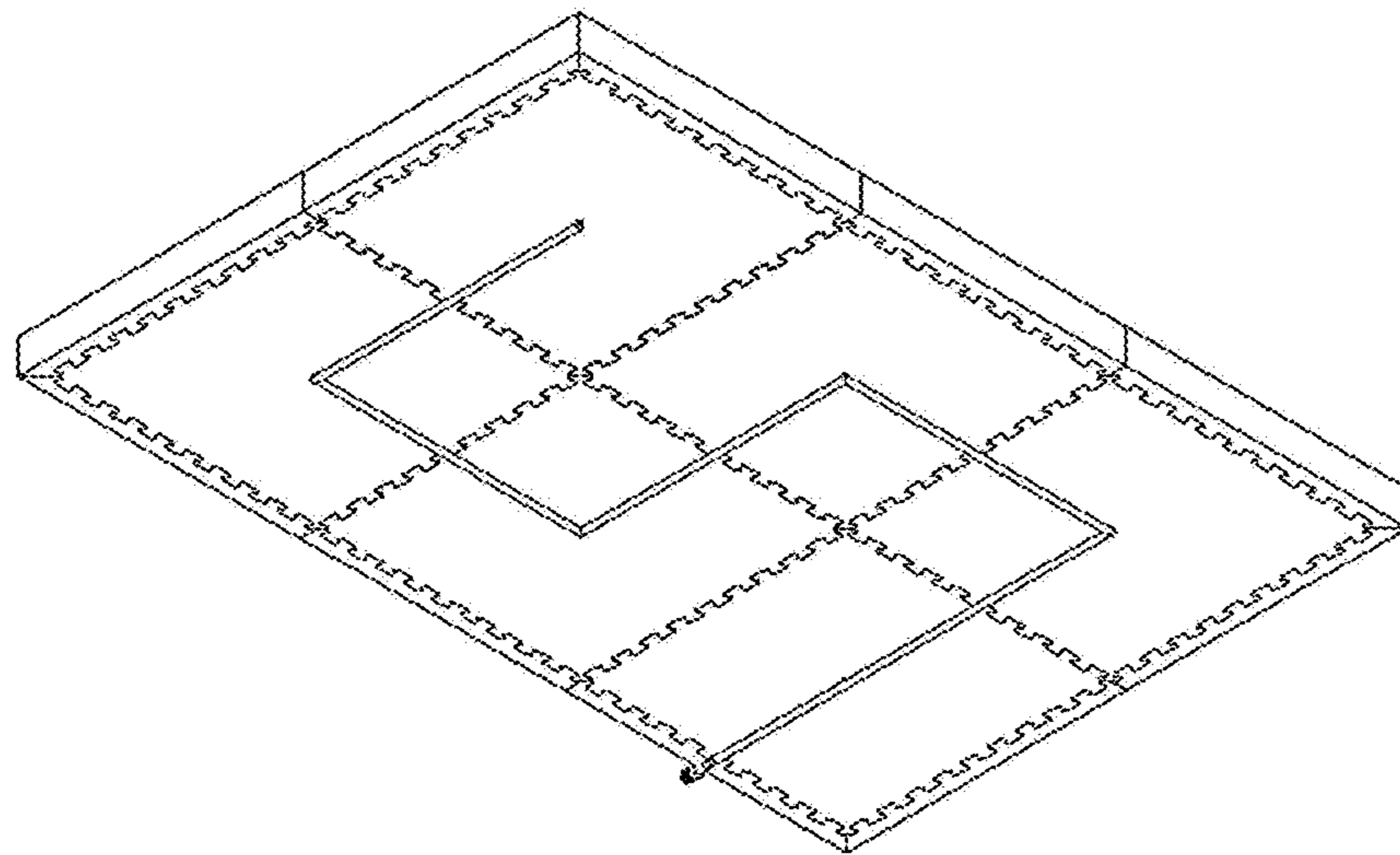


FIG. 14