

US00D862925S

(12) **United States Design Patent**
Boston

(10) **Patent No.:** **US D862,925 S**

(45) **Date of Patent:** **** Oct. 15, 2019**

(54) **UNIVERSAL STAND FOR CUE CASES**

D702,968 S * 4/2014 Smith D6/552
D786,581 S * 5/2017 Lien D6/552
D801,726 S * 11/2017 Atkins D6/552

(71) Applicant: **Theodore Boston**, Sparta, IL (US)

* cited by examiner

(72) Inventor: **Theodore Boston**, Sparta, IL (US)

Primary Examiner — David G Muller
Assistant Examiner — Nathan M Johnston

(**) Term: **15 Years**

(21) Appl. No.: **29/659,729**

(22) Filed: **Aug. 10, 2018**

(57) **CLAIM**

(51) **LOC (12) Cl.** **08-08**

The ornamental design for a universal stand for cue cases, as shown and described.

(52) **U.S. Cl.**

USPC **D6/552**

(58) **Field of Classification Search**

USPC D21/782, 783, 385; D6/552, 567, 569,
D6/571, 572; 473/1, 42, 43, 44, 46, 50,
473/19, 21, 22; 211/68, 60.1, 63, 70.1,
211/90.1; 206/579, 315.1

CPC A63D 15/10; A63D 15/16; A63D 15/00
See application file for complete search history.

DESCRIPTION

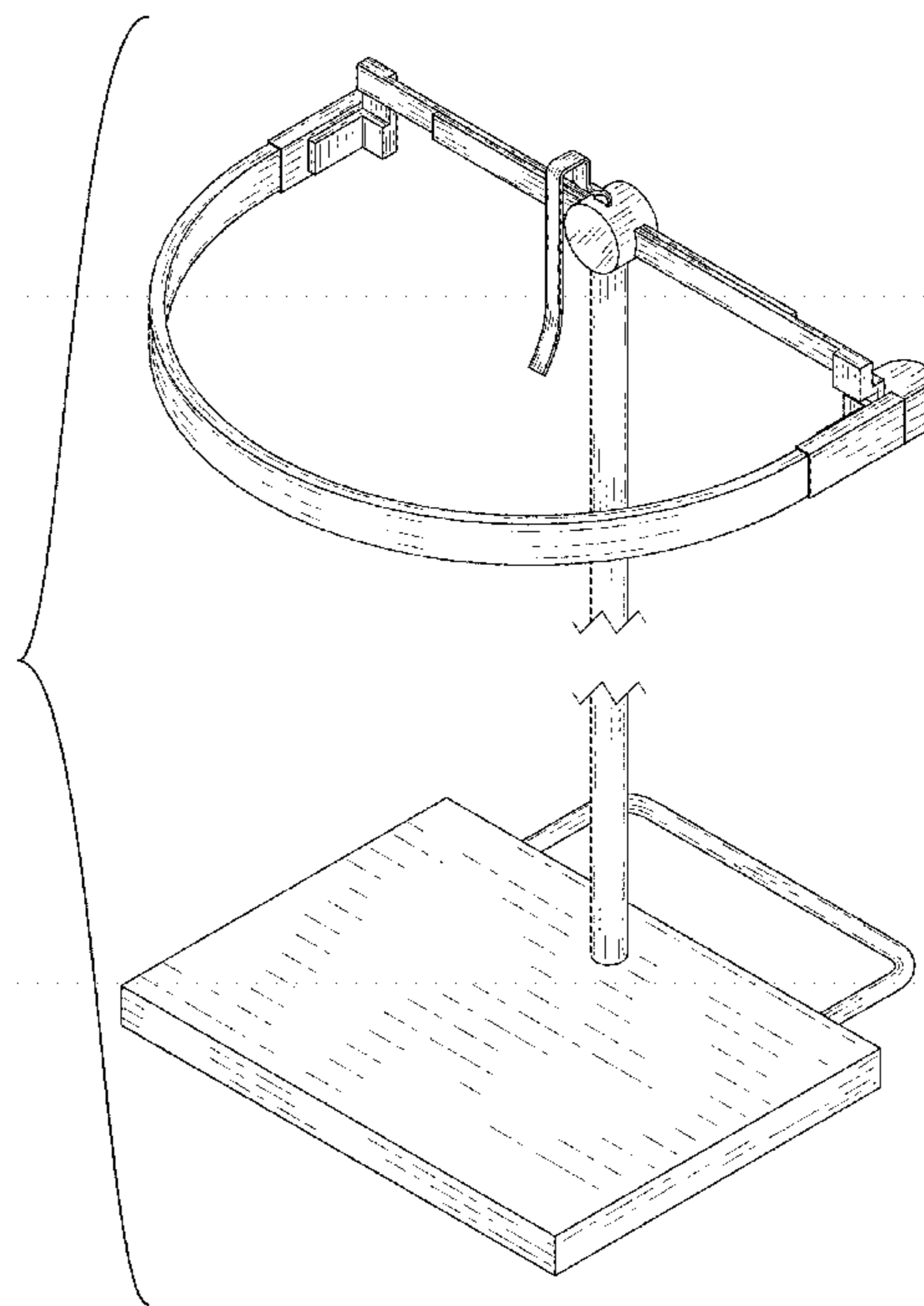
(56) **References Cited**

U.S. PATENT DOCUMENTS

D203,010 S * 11/1965 Graham 108/152
D233,386 S * 10/1974 Hammett D6/567
D328,216 S * 7/1992 Steed D6/525
D335,994 S * 6/1993 Cude, Jr. D6/552
5,377,976 A * 1/1995 Matherne A63B 63/083
206/315.1
D372,617 S * 8/1996 Lang D6/552
D464,836 S * 10/2002 Barrera D6/552
D493,318 S * 7/2004 Bauer D6/552
7,040,681 B1 * 5/2006 Broberg B25H 3/04
206/579
D622,992 S * 9/2010 Dodd D6/552

FIG. 1 is a top front perspective view of a universal stand for cue cases showing my new design;
FIG. 2 is a bottom front perspective view thereof;
FIG. 3 is a top rear perspective view thereof;
FIG. 4 is a front view thereof;
FIG. 5 is a rear view thereof;
FIG. 6 is a left view thereof;
FIG. 7 is a right view thereof;
FIG. 8 is a top view thereof;
FIG. 9 is a bottom view thereof; and,
FIG. 10 is a top view of a universal stand for cue cases wherein two arms and a flexible strap are shown in an alternate position.
The universal stand for cue cases is shown with a symbolic break in its height. The appearance of any portion of the article between the break lines forms no part of the claimed design.

1 Claim, 10 Drawing Sheets



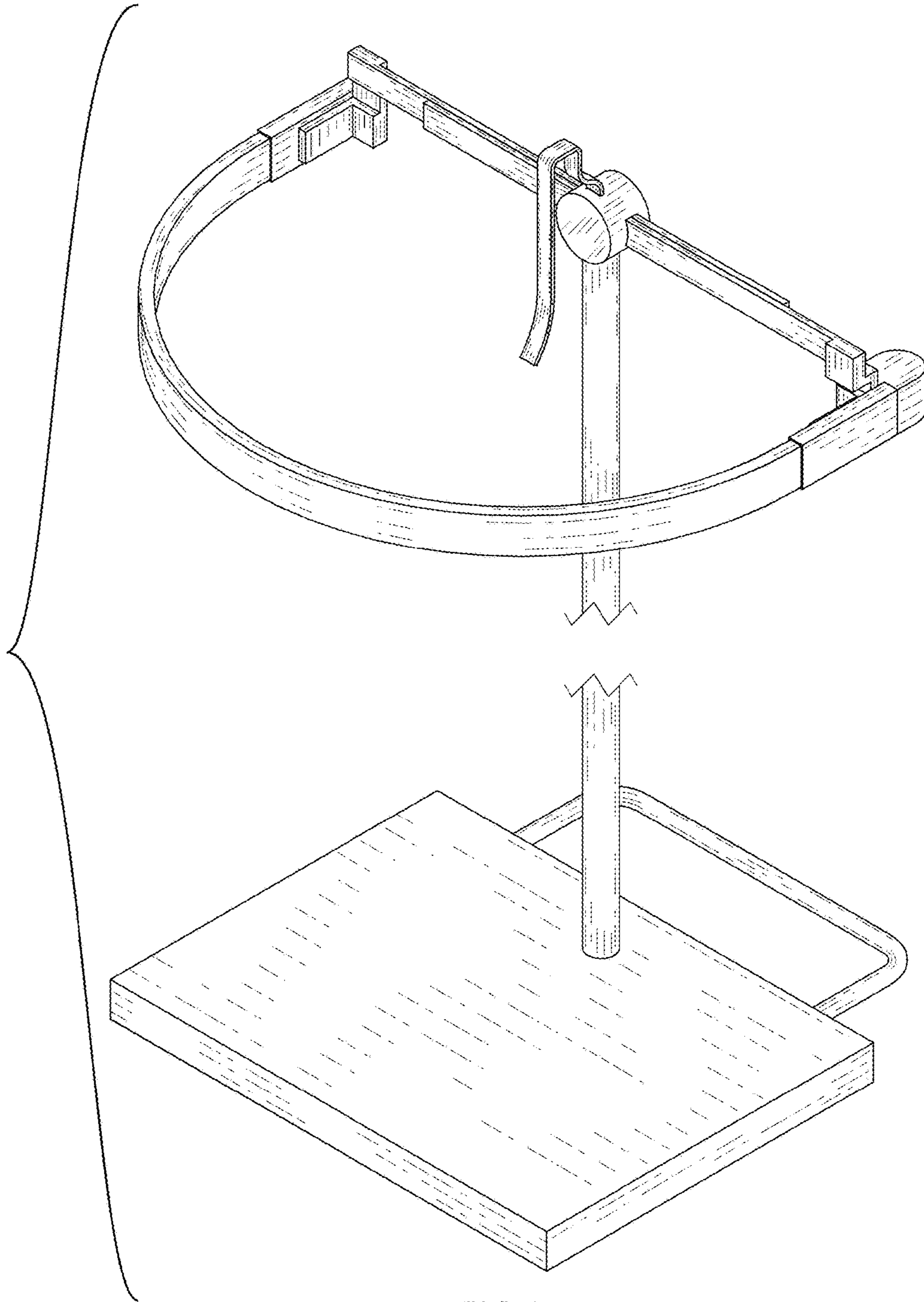


FIG 1

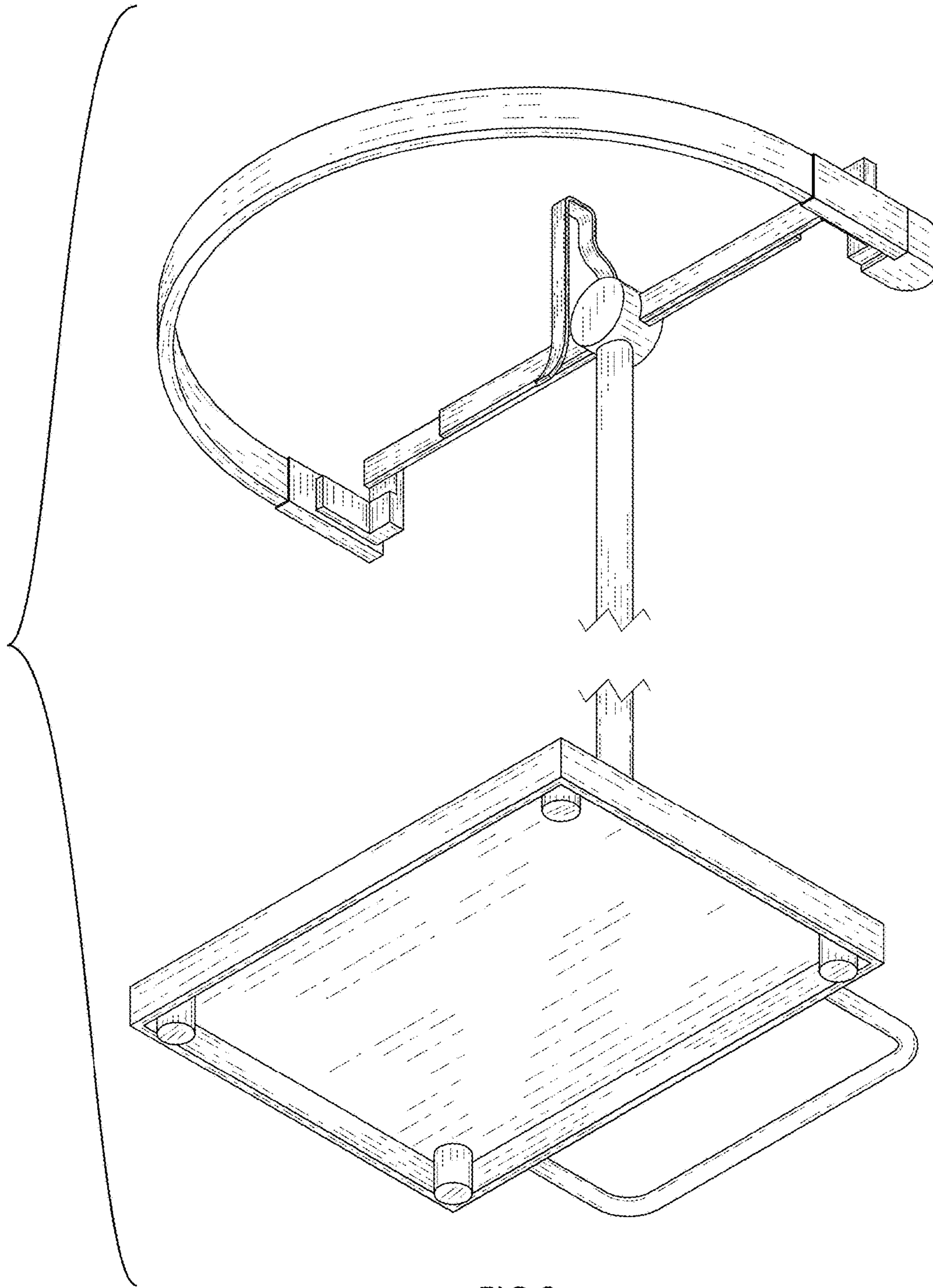


FIG 2

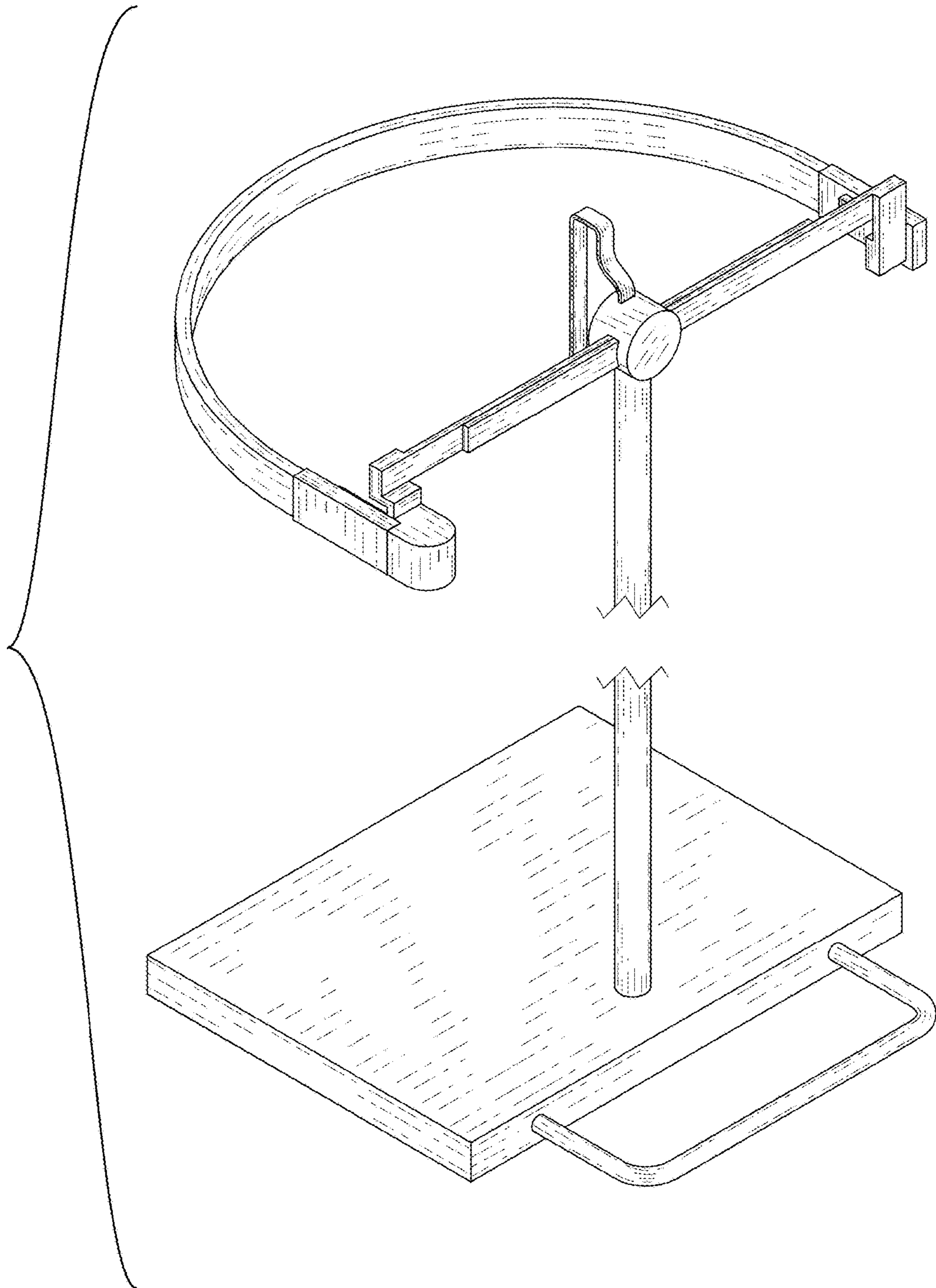


FIG 3

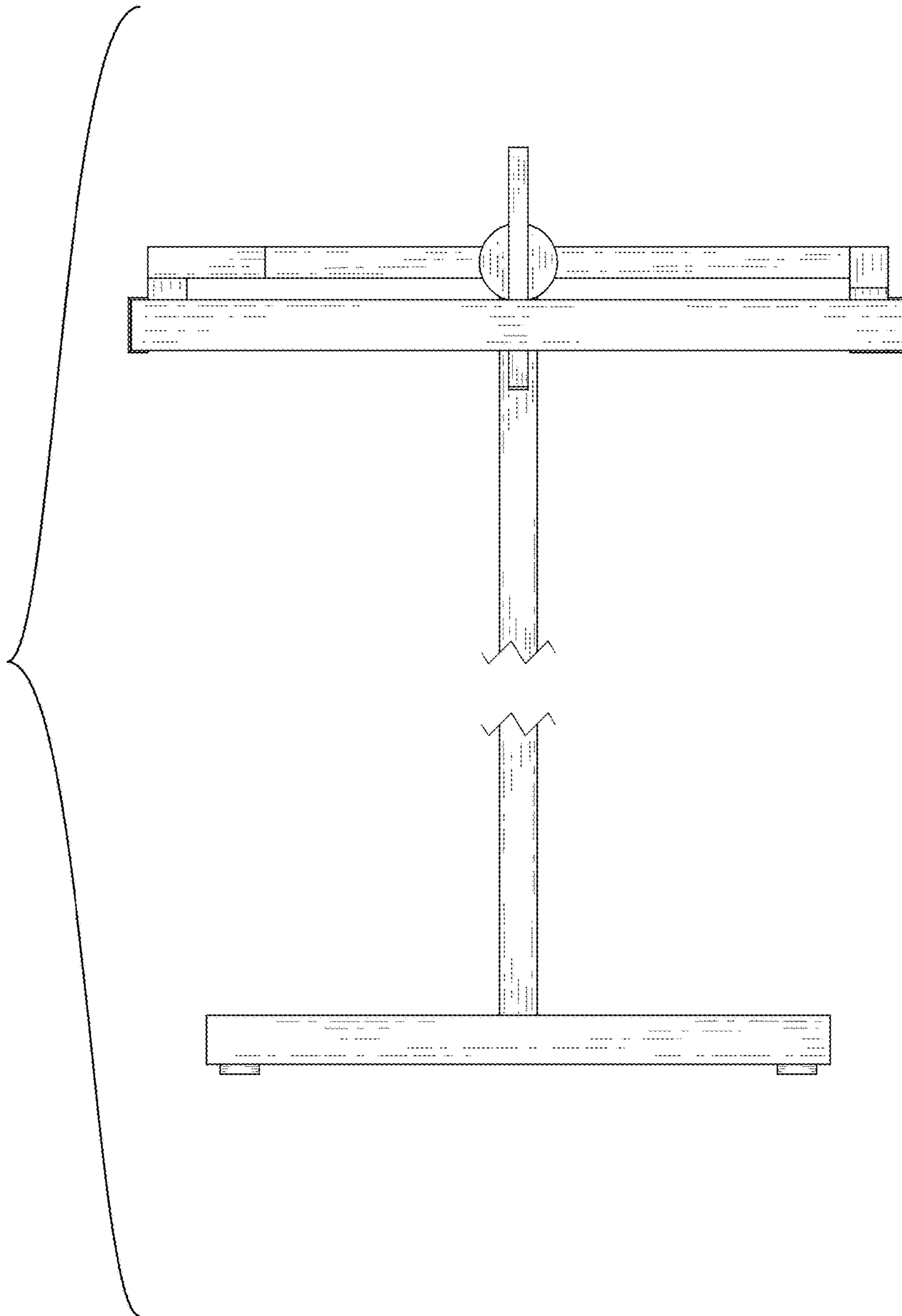


FIG 4

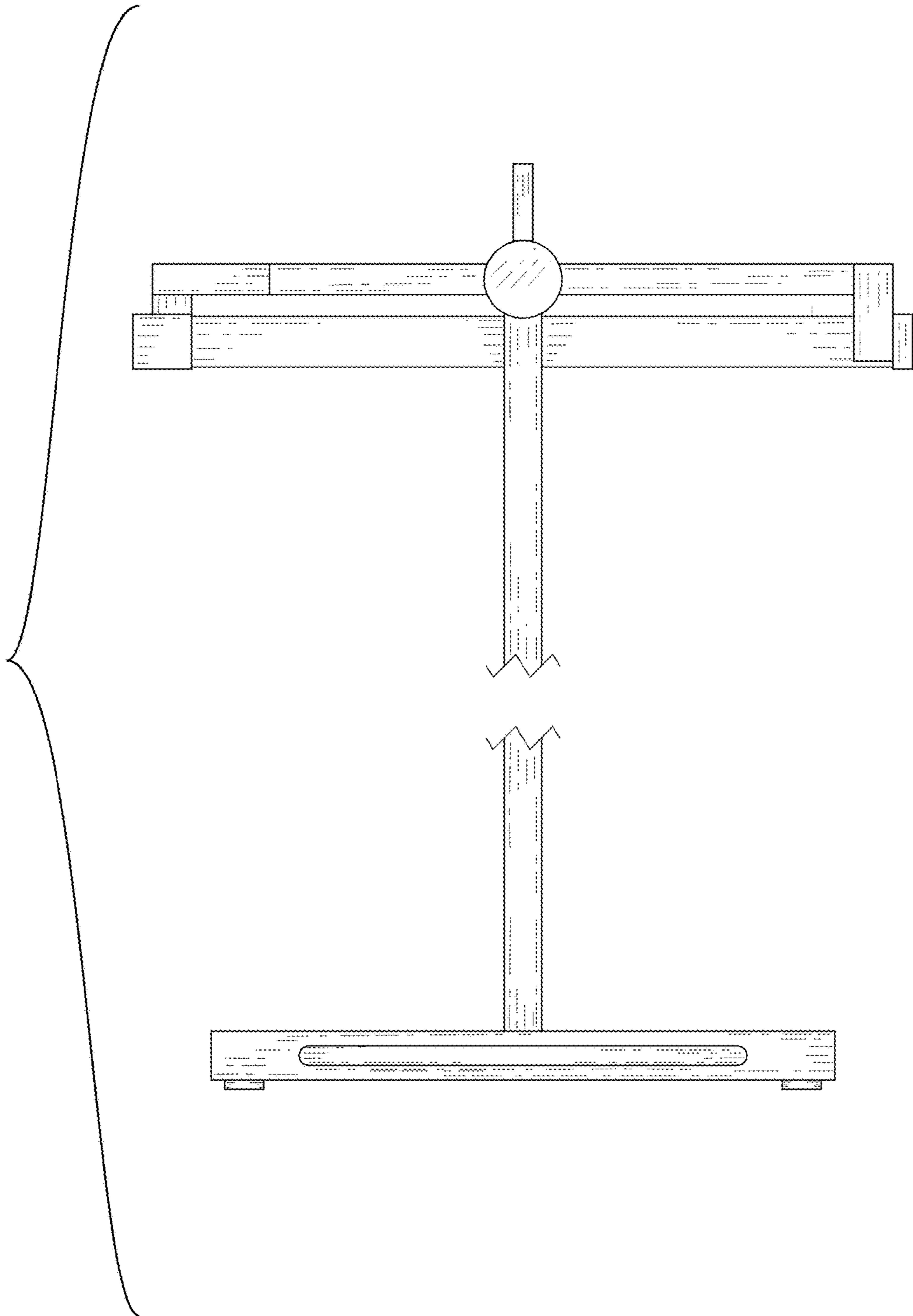


FIG 5

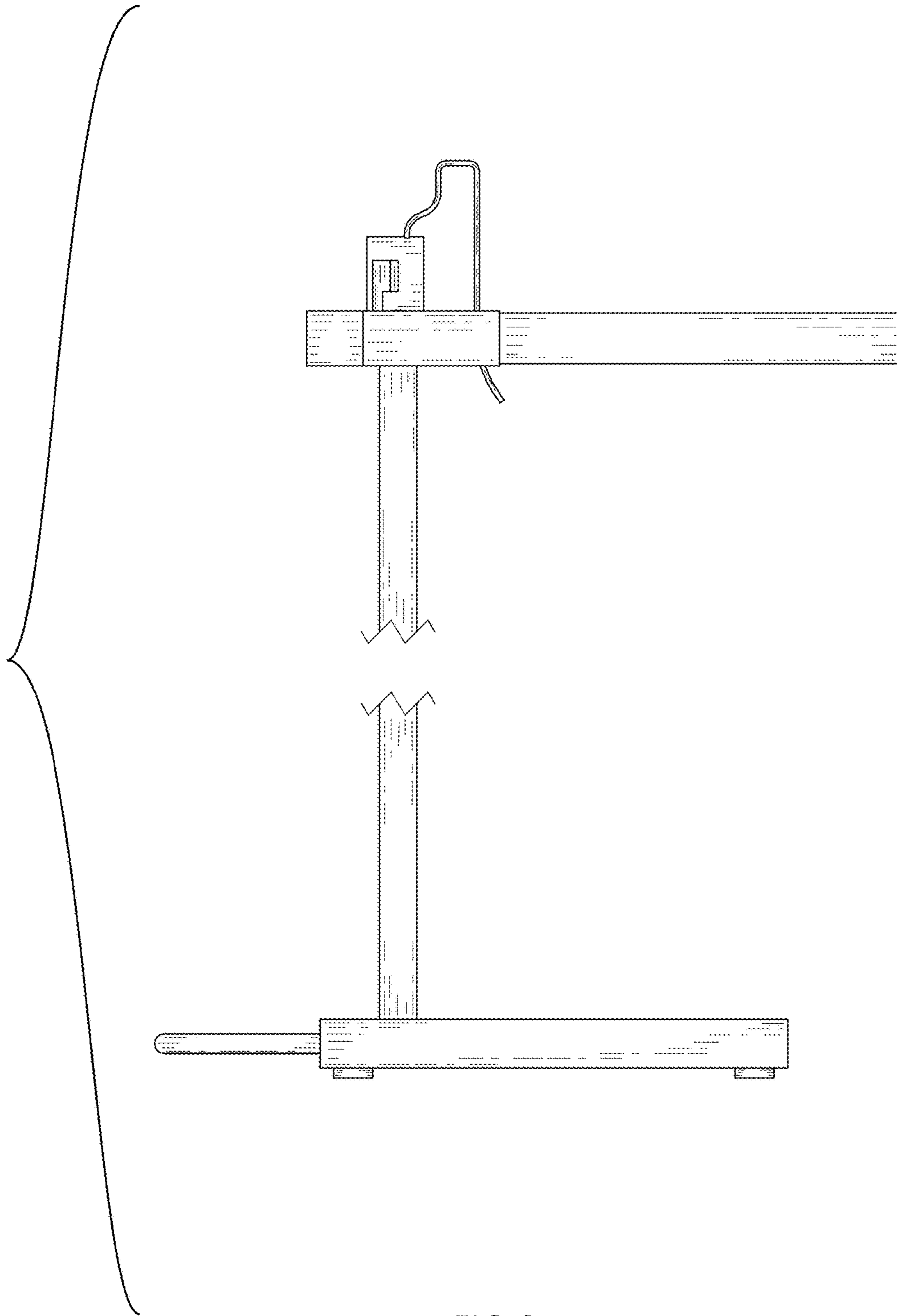


FIG 6

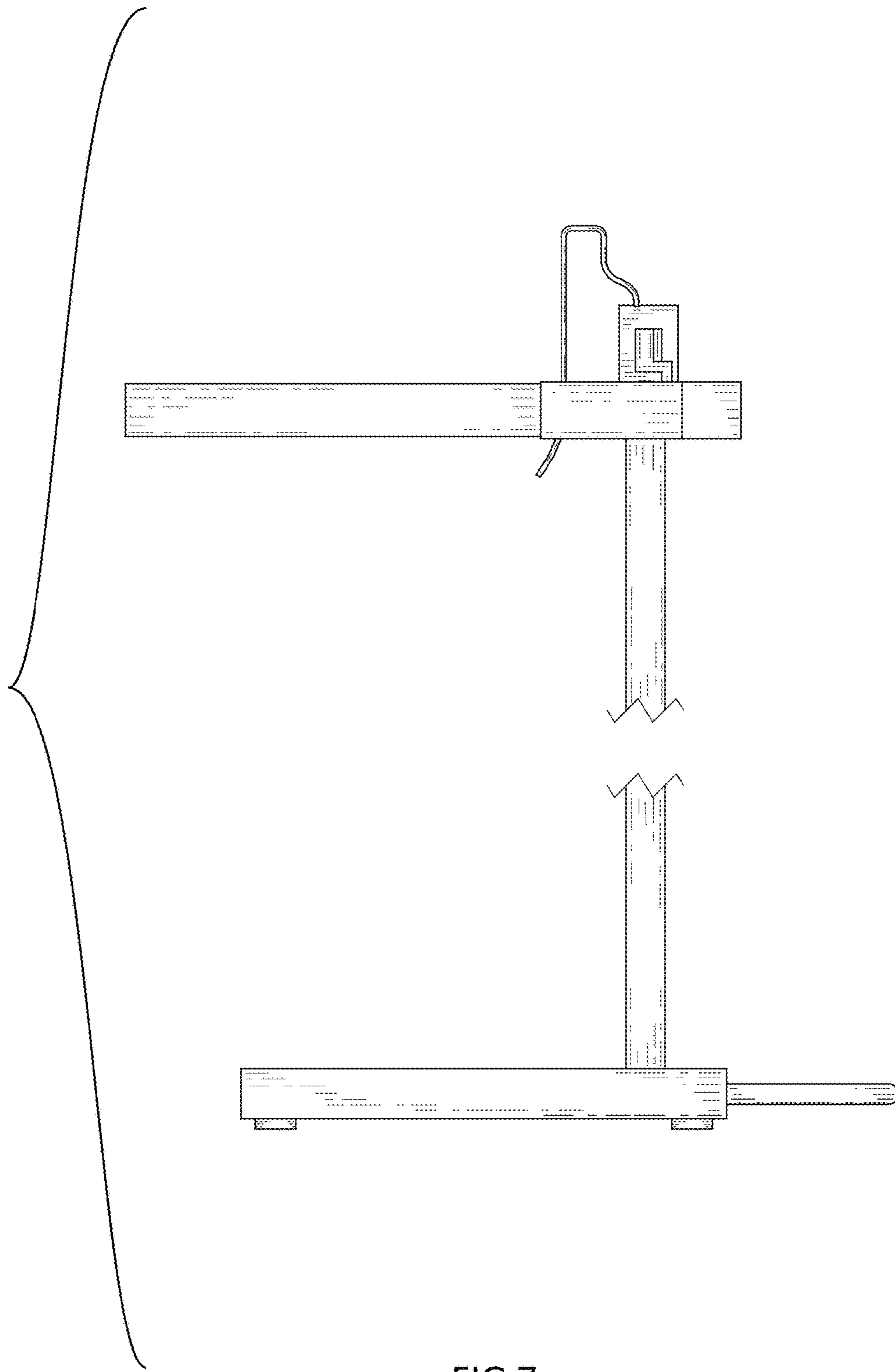


FIG 7

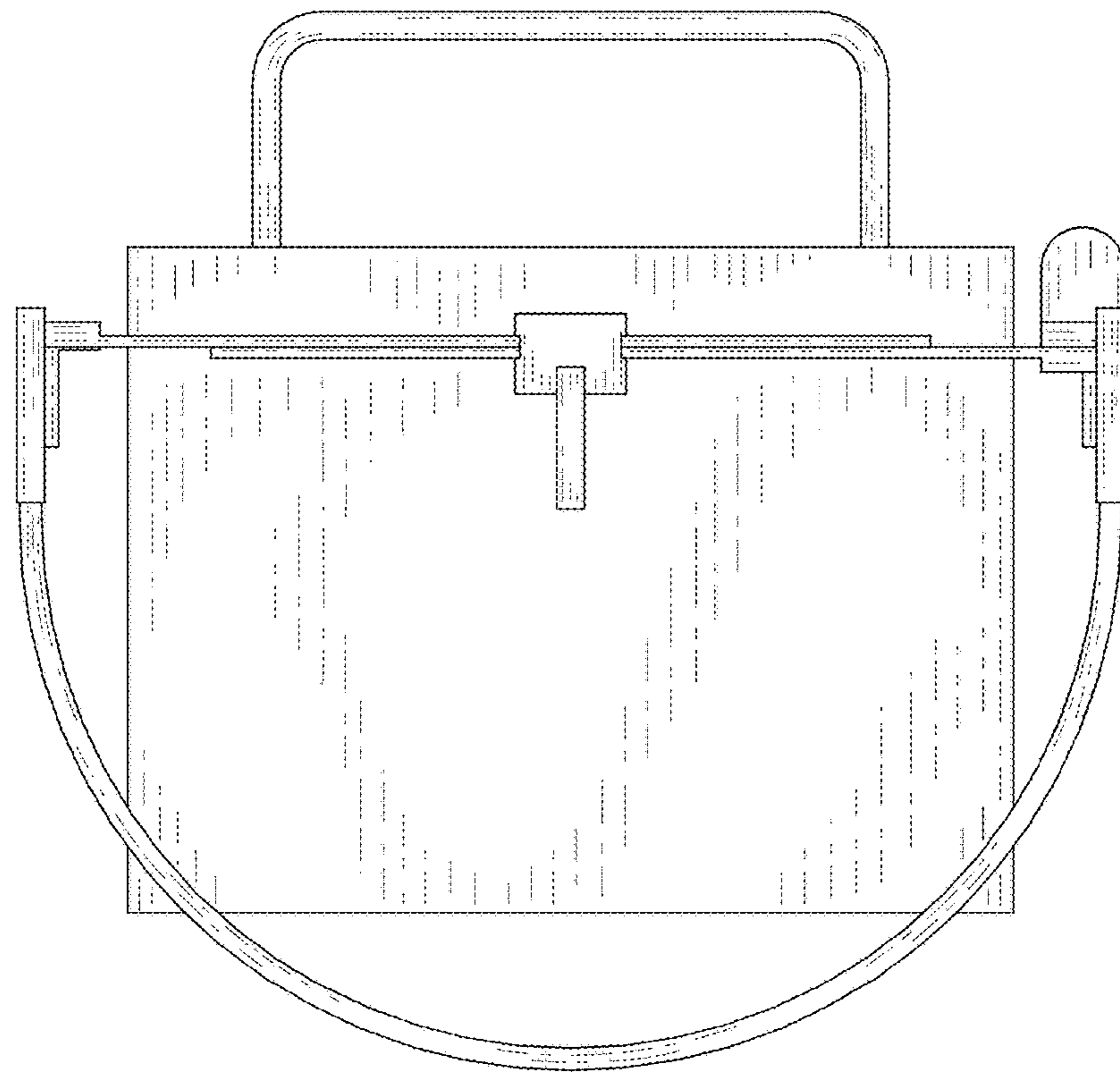


FIG 8

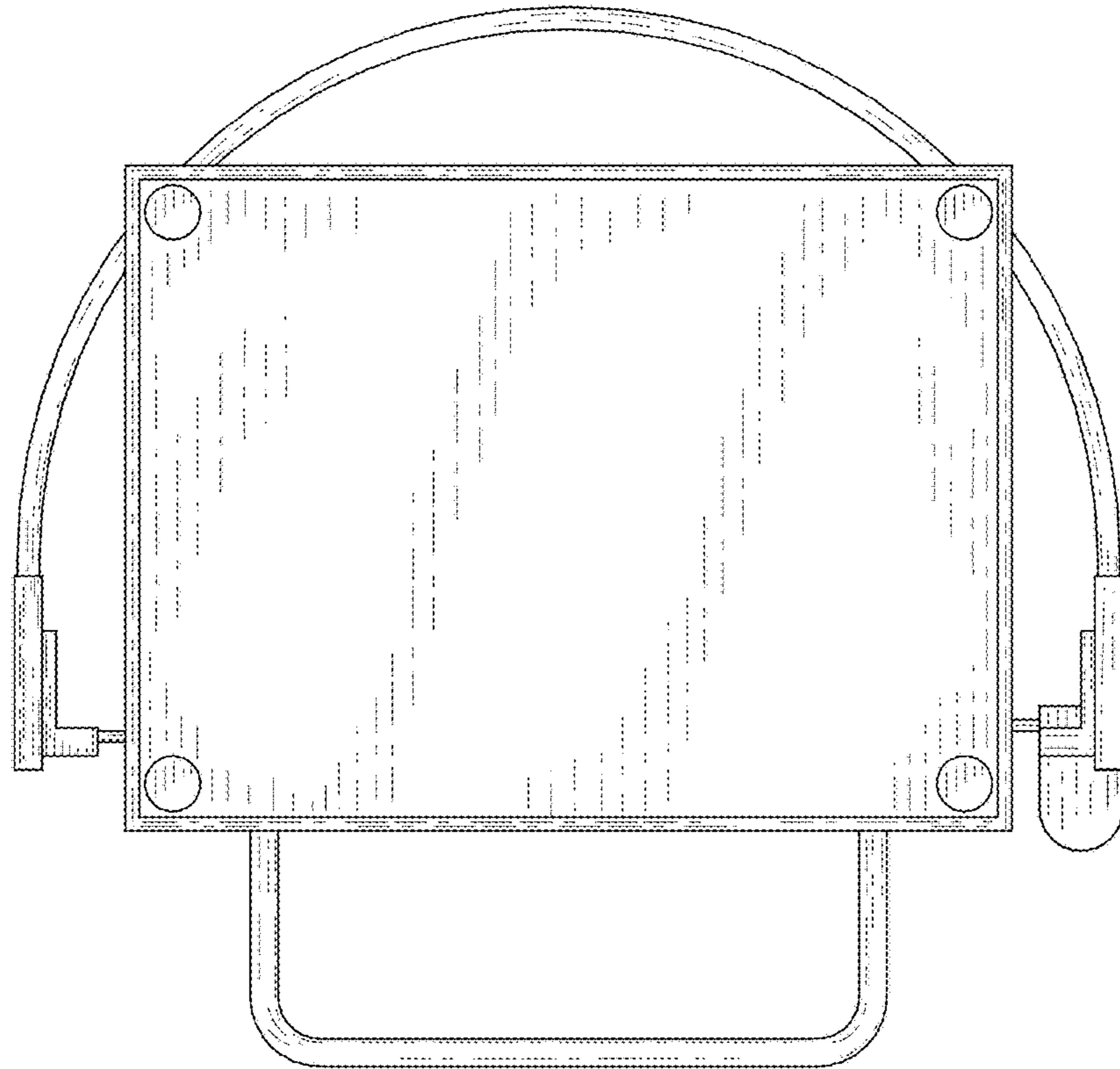


FIG 9

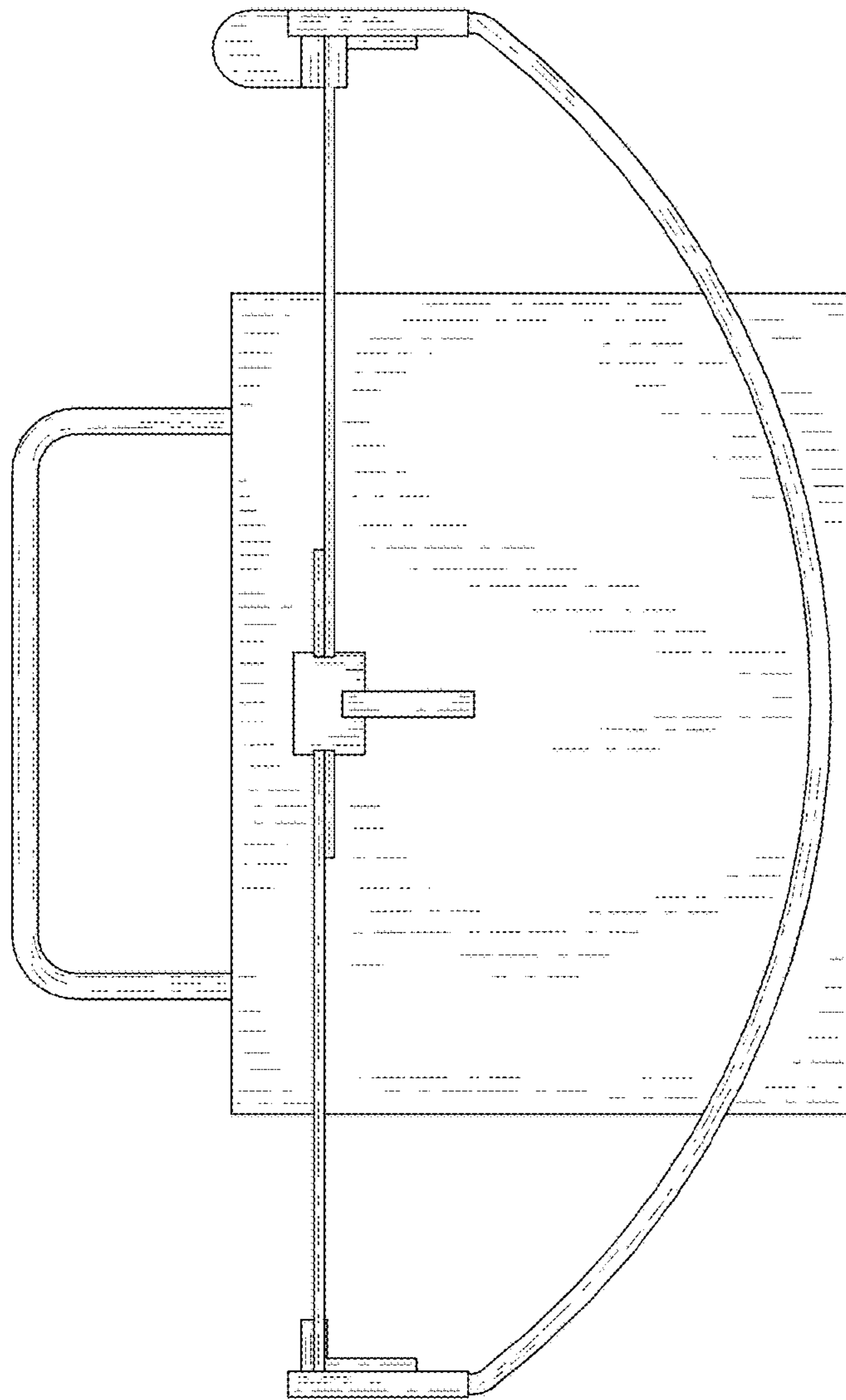


FIG 10