



US00D862924S

(12) **United States Design Patent** (10) **Patent No.:** **US D862,924 S**
Krishnan et al. (45) **Date of Patent:** **** Oct. 15, 2019**

(54) **DISPENSER**

4,393,909 A 7/1983 Pearson
4,724,028 A 2/1988 Zabielski
4,786,279 A 11/1988 Wilkinson
(Continued)

(71) Applicant: **Conopco, Inc.**, Englewood Cliffs, NJ
(US)

(72) Inventors: **Srinivasan Krishnan**, New Canaan, CT
(US); **James Chi Wai Lo**, Yuen Long
(HK)

FOREIGN PATENT DOCUMENTS

CA 2518617 2/1926
CN 203914723 11/2014
(Continued)

(73) Assignee: **Conopco, Inc.**, Englewood Cliffs, NJ
(US)

OTHER PUBLICATIONS

(**) Term: **15 Years**

Lysol No-Touch Hand Soap with Moisturizing Aloe & Vitamin E,
Lysol No-Touch Hand Soap with Moisturizing Aloe & Vitamin E,
PP1-5Retrieved from the internet on Aug. 25, 2016 (jet.com)http://
bit.ly/2btfkjk.

(21) Appl. No.: **29/609,091**

(22) Filed: **Jun. 28, 2017**

(Continued)

(30) **Foreign Application Priority Data**

Dec. 29, 2016 (CN) 2016 3 0655013
Dec. 29, 2016 (CN) 2016 3 0655031

Primary Examiner — Wan Laymon
Assistant Examiner — Mark Booker

(51) **LOC (12) Cl.** **23-02**

(74) *Attorney, Agent, or Firm* — Gerard J. McGowan, Jr.

(52) **U.S. Cl.**
USPC **D6/542**

(57) **CLAIM**

(58) **Field of Classification Search**
USPC D6/542, 543–545; D9/291, 448, 449,
D9/682, 688, 690, 694, 417; D28/10;
221/208, 282, 283; 222/14, 105, 146.3,
222/173, 180, 181.1, 181.2, 181.3, 251,
222/628
CPC . B67D 1/001; B67D 1/06; A47K 7/04; A47K
5/12; A47K 5/1204; A47K 5/1205; A47K
5/1207; A47K 5/08; A47K 5/1202; A47K
5/1214; A47K 5/1215; A47K 5/14; A47K
5/16

The ornamental design for the dispenser, as shown and
described.

DESCRIPTION

See application file for complete search history.

FIG. 1 is a perspective view from above, and the right side
of our dispenser;
FIG. 2 is a front elevational view of our dispenser;
FIG. 3 is a rear elevational view of our dispenser;
FIG. 4 is a left elevational view thereof;
FIG. 5 is a right elevational view, thereof;
FIG. 6 is a top plan view of our dispenser; and
FIG. 7 is a bottom plan view of our dispenser; and,
FIG. 8 is a rear perspective view thereof from above and the
left side of FIG. 1.

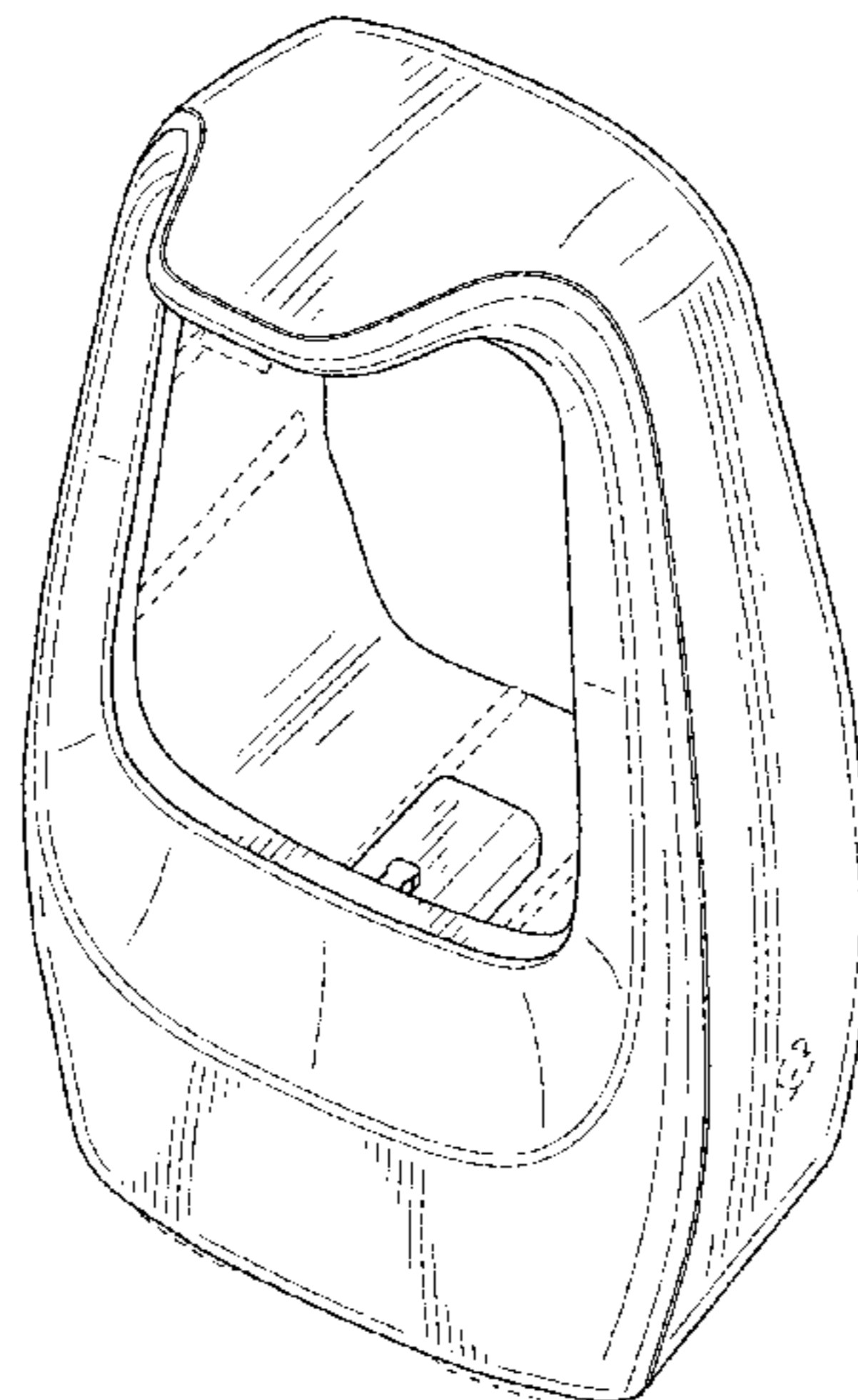
The portions of the dispenser shown in broken lines form no
part of the claimed design.

(56) **References Cited**

U.S. PATENT DOCUMENTS

3,642,047 A 2/1972 Waage
4,153,173 A 5/1979 Ward et al.

1 Claim, 6 Drawing Sheets



(56)

References Cited

U.S. PATENT DOCUMENTS

D322,028	S	12/1991	Appleby et al.	
7,824,120	B1	11/2010	Kasper et al.	
8,087,543	B2	1/2012	Yang et al.	
8,096,445	B2	1/2012	Yang et al.	
8,109,411	B2	2/2012	Yang et al.	
D661,933	S	6/2012	Delgigante et al.	
D716,139	S	* 10/2014	Murphy	D9/417
D730,077	S	* 5/2015	Watson	D6/542
D731,203	S	6/2015	Watson et al.	
D732,307	S	6/2015	Enga et al.	
D732,308	S	6/2015	Enga et al.	
D806,435	S	* 1/2018	Santoro	D6/545
D809,819	S	2/2018	Johnson	
D811,120	S	2/2018	Johnson	
D815,456	S	* 4/2018	Hagleitner	D6/542
2004/0267228	A1	12/2004	Hattori et al.	
2006/0011655	A1	1/2006	Ophardt	
2006/0138069	A1	6/2006	Domkowski et al.	
2008/0185396	A1	8/2008	Yang et al.	
2008/0185398	A1	8/2008	Yang et al.	
2008/0185399	A1	8/2008	Yang et al.	
2011/0114669	A1	5/2011	Yang et al.	
2014/0203047	A1	7/2014	McNulty et al.	
2015/0320651	A1	11/2015	Matthews et al.	
2016/0256016	A1	9/2016	Yang et al.	

FOREIGN PATENT DOCUMENTS

CN	203914725	11/2014
DE	19728775	1/1999
DE	19957576	6/2001
EP	0369722	5/1990
EP	0495330	7/1992
EP	2256058	1/2010
EP	2324744	5/2011
FR	2593144	7/1987
FR	2752410	2/1998
GB	2160184	12/1985
WO	WO2006042579	4/2006

WO	WO2007047845	4/2007
WO	WO2008095187	8/2008
WO	WO2016050930	4/2016

OTHER PUBLICATIONS

Muse Foaming Handsoap, DCA Design International, PP1-3 Retrieved from the internet on Aug. 25, 2016 <https://www.dca-design.com/work/rb-muse-foaming-handsoap>.

Muse, Muse No-Touch Foam Hand Soap, PP1-4 Retrieved from the internet on Aug. 25, 2016 <https://www.dca-design.com/work/rb-muse-foaming-handsoap>.

Nalgene Autoclavable Septum Closure, Autoclavable, 38-430 size, ThermoFisher Scientific, 2016, PP1-2 Retrieved from internet: www.thermofisher.com/order/catalog/product/DS2168-0384 Accessed as early as Aug. 11, 2016.

Partial Search Report and Written Opinion in PCTEP2017082702; dated Mar. 12, 2018; In DM6325US1-NPLRef1, pp. 1 to 10.

Search Report and Written Opinion in PCTEP2017082672; dated Apr. 9, 2018; In DM6325US1-NPLRef1, pp. 11 to 23.

Search Report and Written Opinion in PCTEP2017082702; dated May 8, 2018; In DM6325US1-NPLRef1, pp. 24 to 39.

Written Opinion in PCTEP2017082672; dated Nov. 8, 2018.

IPRP2 in PCTEP2017082702; dated Nov. 28, 2018.

Co-Inventor James Lo and his company, Lomak, executed an assignment of the present patent family to one of the present assignee's parent companies (Unilever NV). The assignment was dated Dec. 5, 2016 and was initially copied and communicated by e-mail to Unilever on Dec. 9, 2016. In a document dated Dec. 28, 2016, Lomak purported to indicate that the signed documents shall be effective in conjunction with: (1) the coming Assignment in relation to an IP Assignment in respect of sharing of IP (2) the Central Commercial Terms contract; and (3) Third Party Manufacturing—Unilever's Purchasing Agreement that shall be signed. In an e-mail dated Aug. 2, 2017, Lomak's indicated that a Unilever representative had agreed to handle "all matters in relation to IP, no matter assignment or any other registrations, if any, during the formal execution of both CTC and UPA."

* cited by examiner

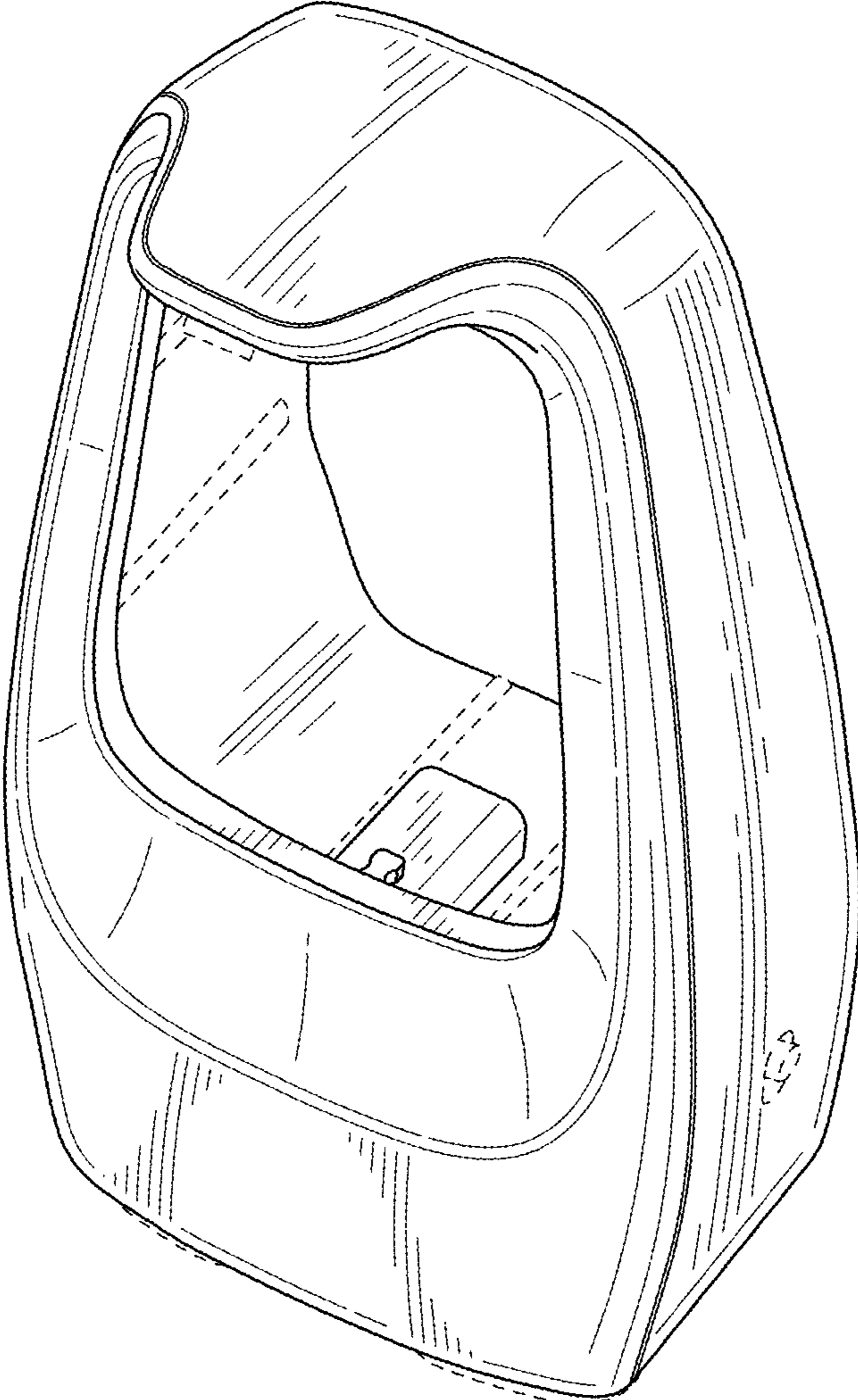


Fig. 1

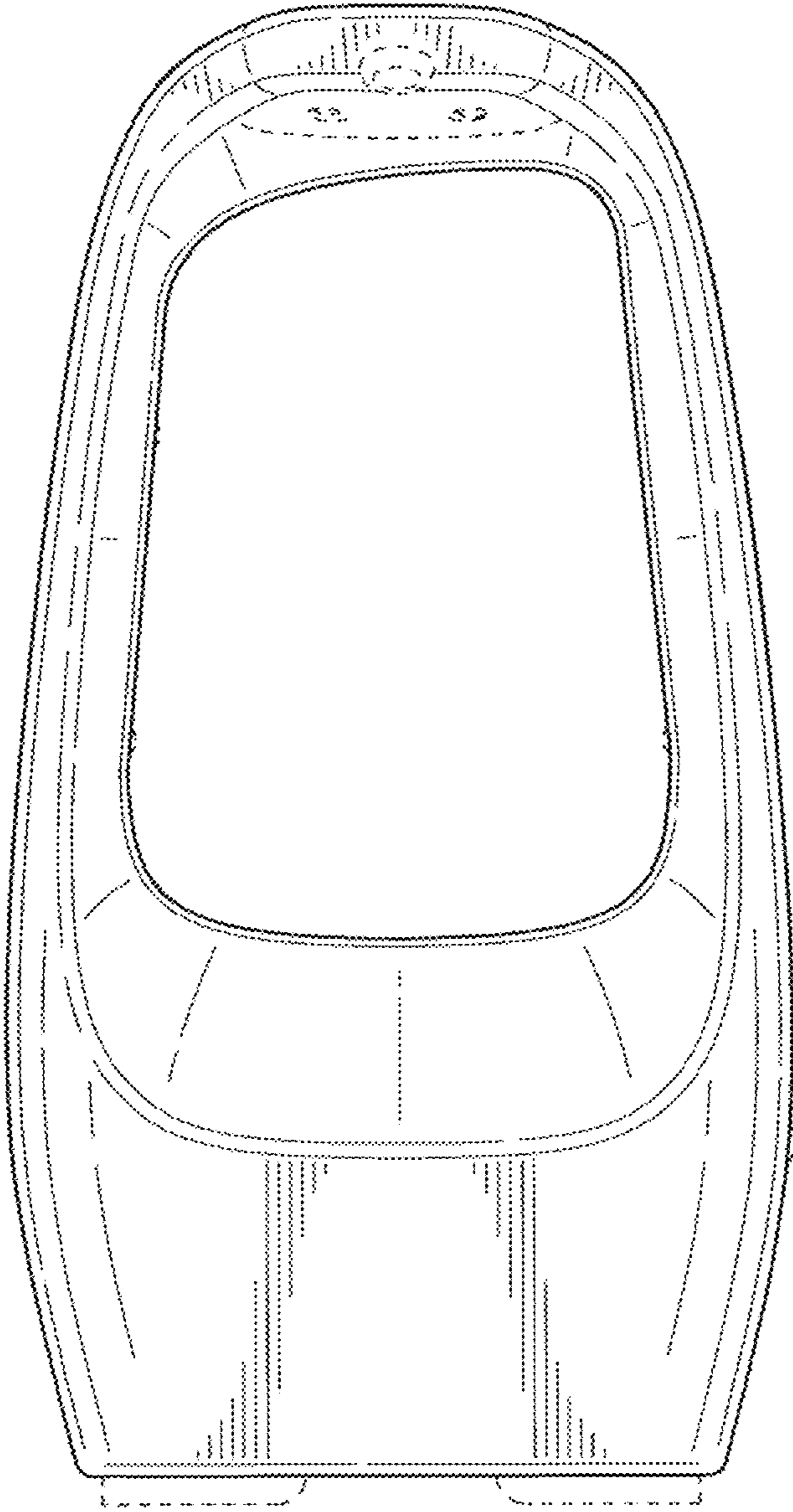


Fig. 2

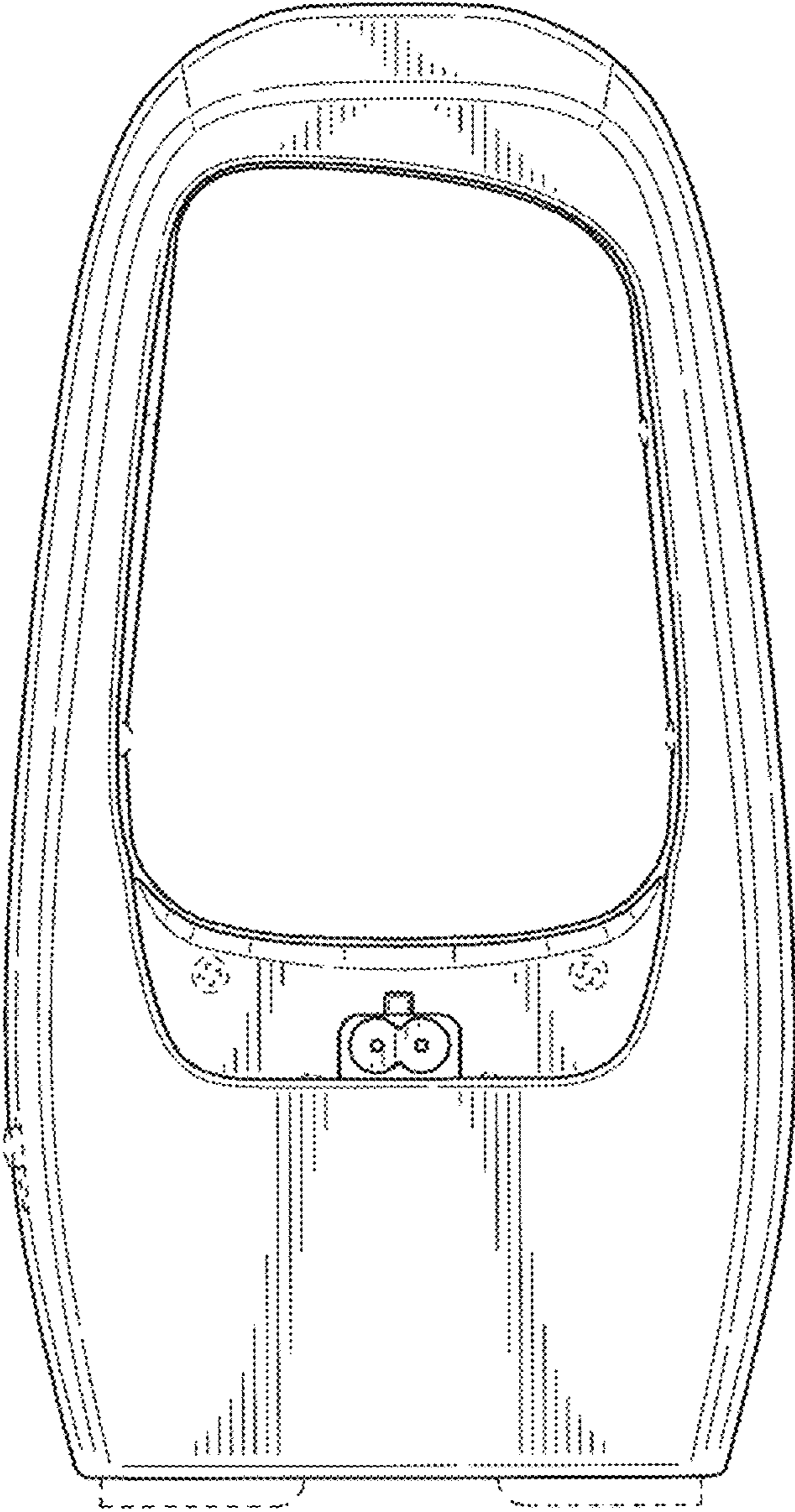


Fig. 3

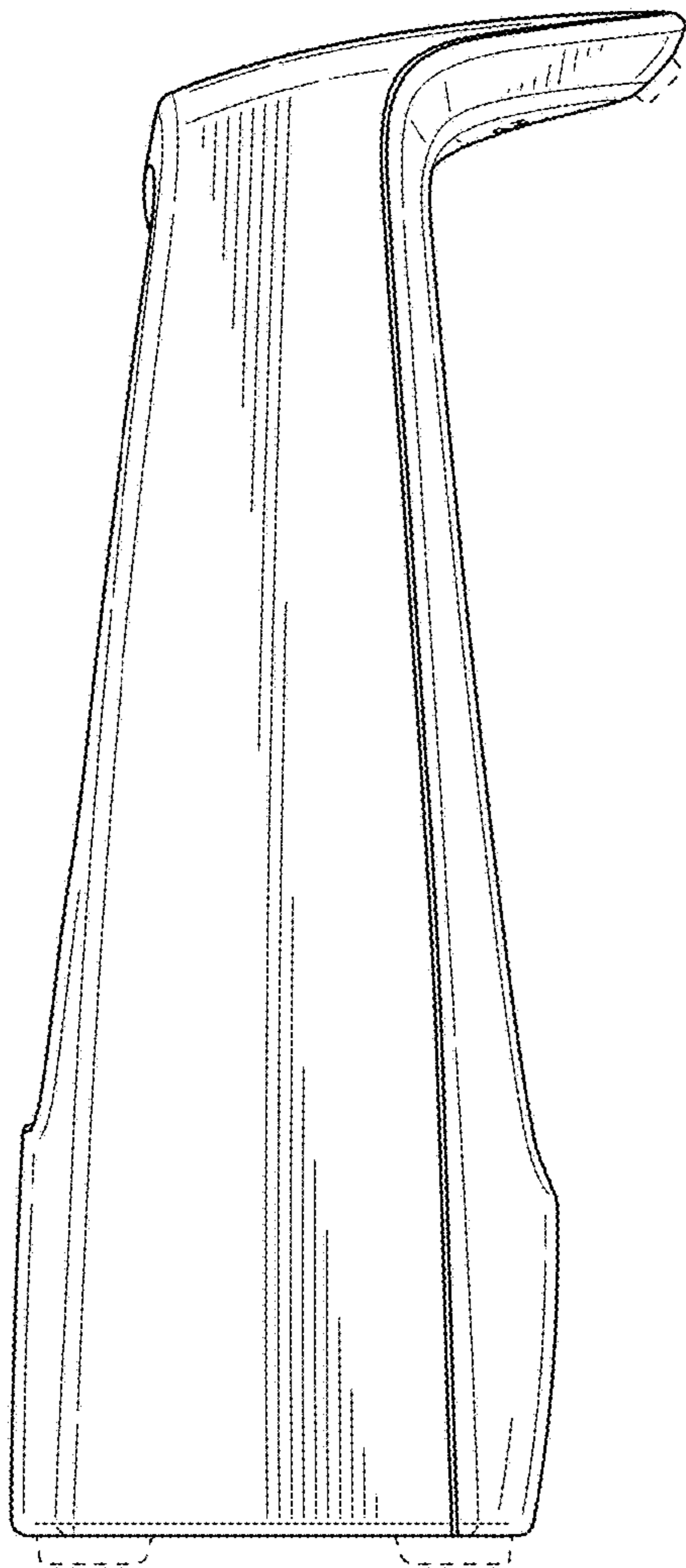


Fig. 4

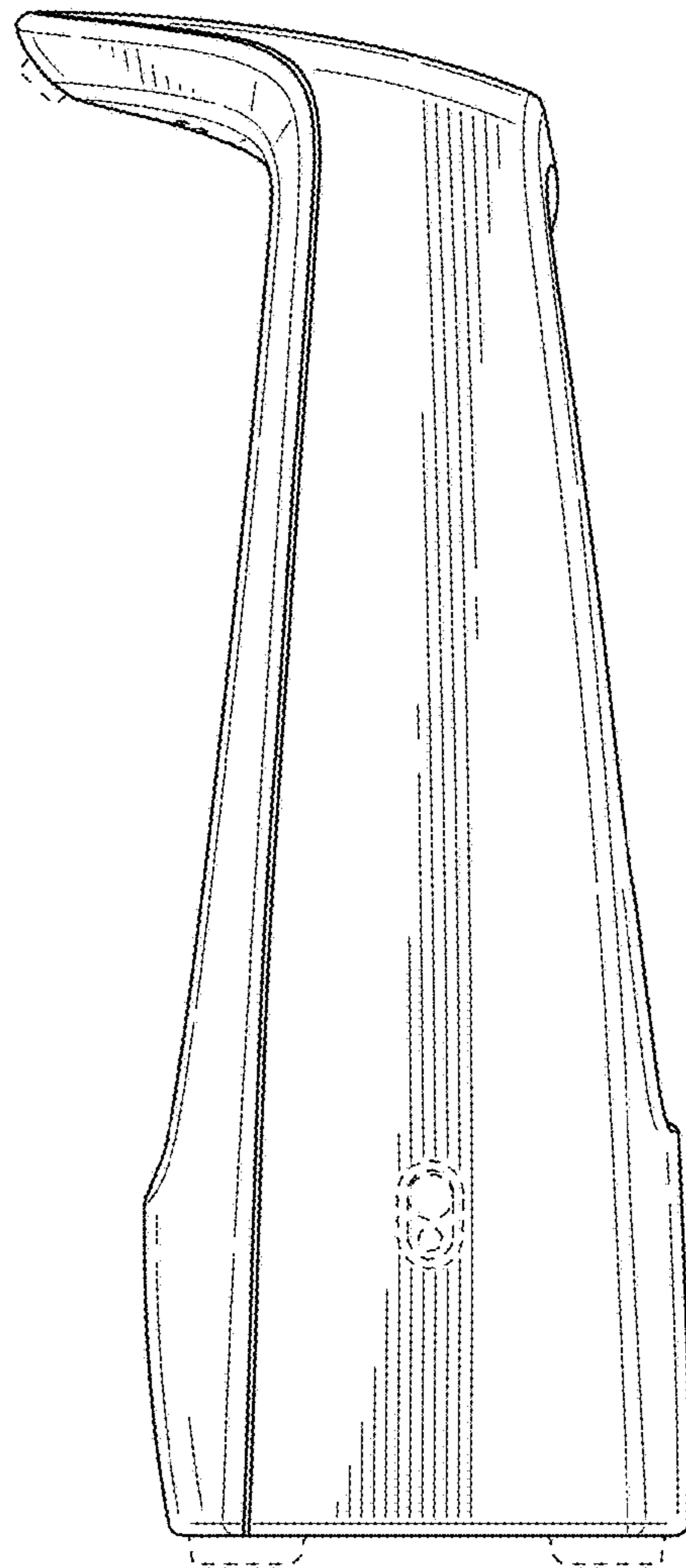


Fig. 5

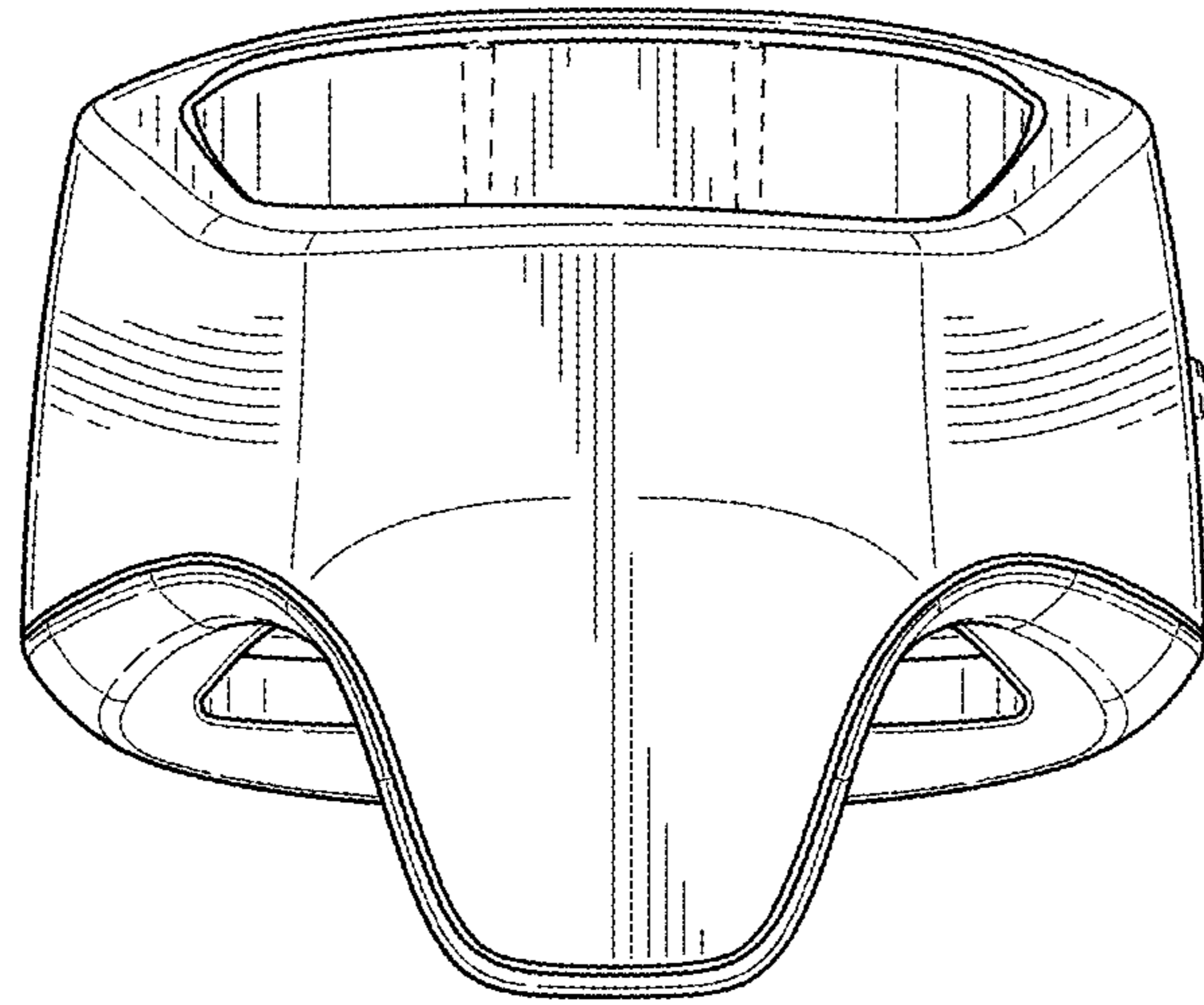


Fig. 6

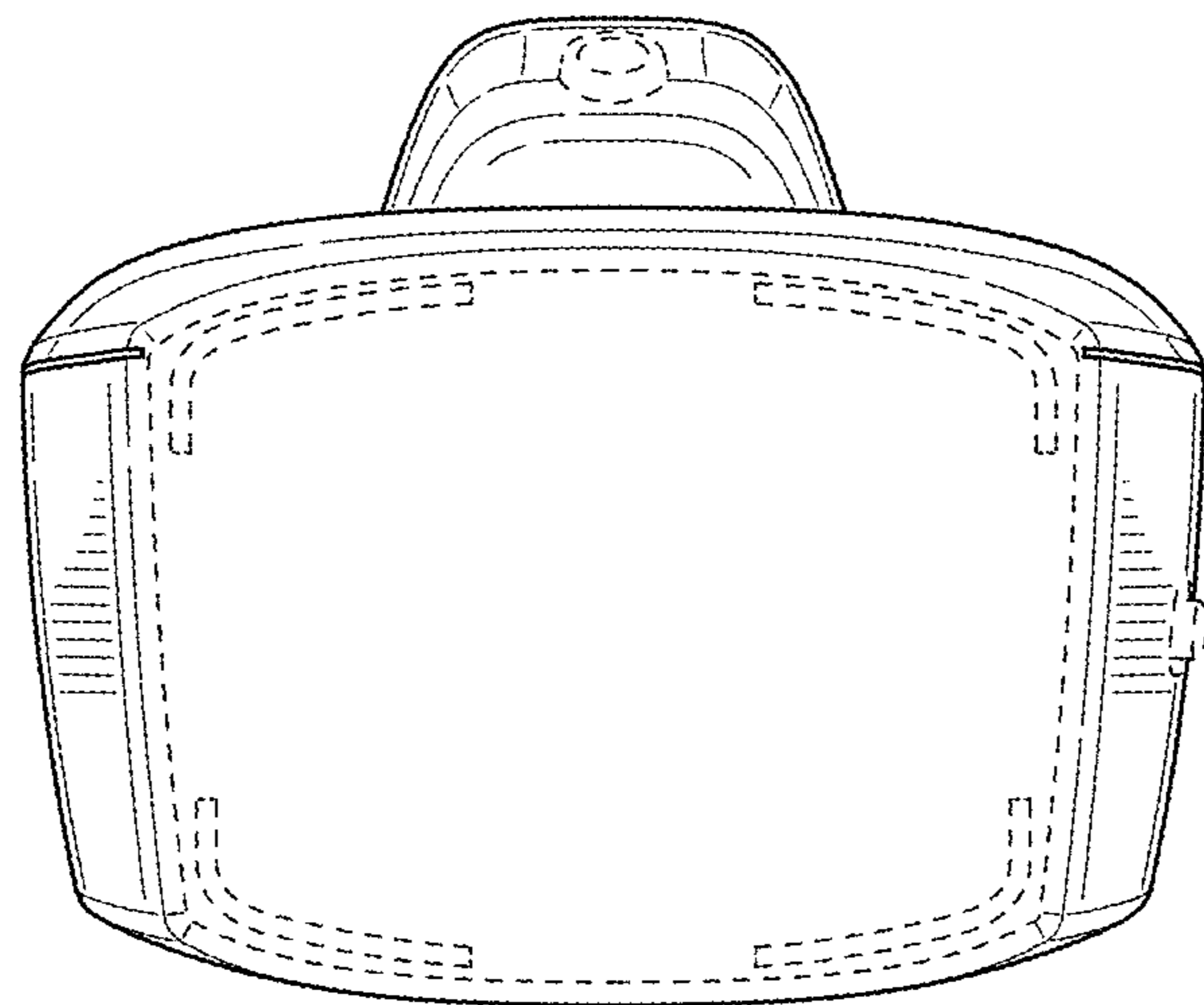


Fig. 7

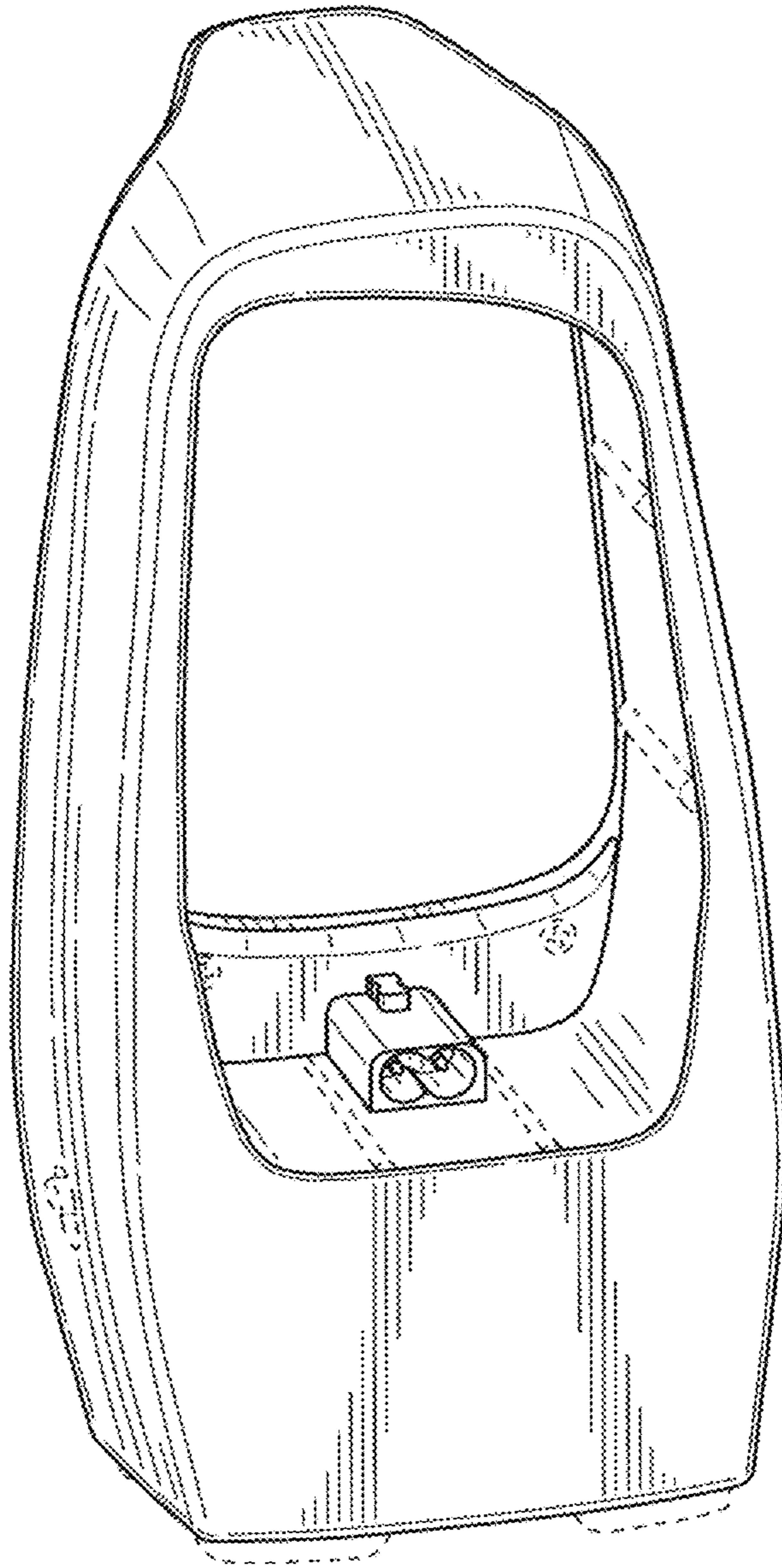


Fig. 8