



US00D862923S

(12) **United States Design Patent** (10) **Patent No.:** **US D862,923 S**  
**Watson** (45) **Date of Patent:** **\*\* Oct. 15, 2019**

(54) **RAZOR STAND**

(71) Applicant: **The Gillette Company LLC**, Boston, MA (US)

(72) Inventor: **Brian Patrick Watson**, Marshfield, MA (US)

(73) Assignee: **The Gillette Company LLC**, Boston, MA (US)

(\*\*) Term: **15 Years**

(21) Appl. No.: **29/646,840**

(22) Filed: **May 8, 2018**

**Related U.S. Application Data**

(62) Division of application No. 29/594,308, filed on Feb. 17, 2017, now Pat. No. Des. 820,000.

(51) **LOC (12) Cl.** ..... **28-03**

(52) **U.S. Cl.**  
USPC ..... **D6/526**

(58) **Field of Classification Search**

USPC ..... D6/526, 527, 512, 524, 528, 534, 540;  
D3/201, 205; D9/737, 748, 749, 448;  
206/244, 352, 361, 362.1, 362.2, 362.3,  
206/208, 209, 228, 252, 354-360, 493,  
206/775; 30/42-46, 514; 211/13.1, 66,  
211/70.6, 86.01, 87.01, 89.01; 248/127,  
248/176.1, 200, 205.5, 309.1, 314;  
D16/202, 219, 242; D13/108; D10/70;  
D24/186  
CPC . B26B 19/3806; B26B 19/3853; B26B 21/52;  
B26B 21/10; B26B 21/4006; B26B  
21/522; B26B 21/40; B26B 21/36; B26B  
19/14; B26B 19/38; B26B 19/382; B26B  
19/3813; B65D 73/0064; B65D 73/0014;  
B65D 77/26; B65D 85/1081; B65D  
5/5016; B65D 71/70; B65D 25/106;  
B65D 25/22

See application file for complete search history.

(56) **References Cited**

**U.S. PATENT DOCUMENTS**

D529,533 S	10/2006	Oh	
D544,264 S	6/2007	Gallagher	
D544,736 S *	6/2007	Jackson	D6/526
D557,320 S	12/2007	Fisher	
D557,321 S	12/2007	Fisher	
D564,272 S	3/2008	Quach	
D572,063 S	7/2008	Provost et al.	
D576,436 S	9/2008	Provost	
D577,998 S	10/2008	Decottignies	
D632,516 S *	2/2011	Schulz	D6/526
D634,955 S	3/2011	Cavazos Jimenez et al.	
D657,740 S	4/2012	Prat-Pfister	
D675,048 S	1/2013	Coresh	
D677,090 S	3/2013	Floyd et al.	

(Continued)

*Primary Examiner* — Wan Laymon

*Assistant Examiner* — Mark Booker

(74) *Attorney, Agent, or Firm* — Kevin C. Johnson

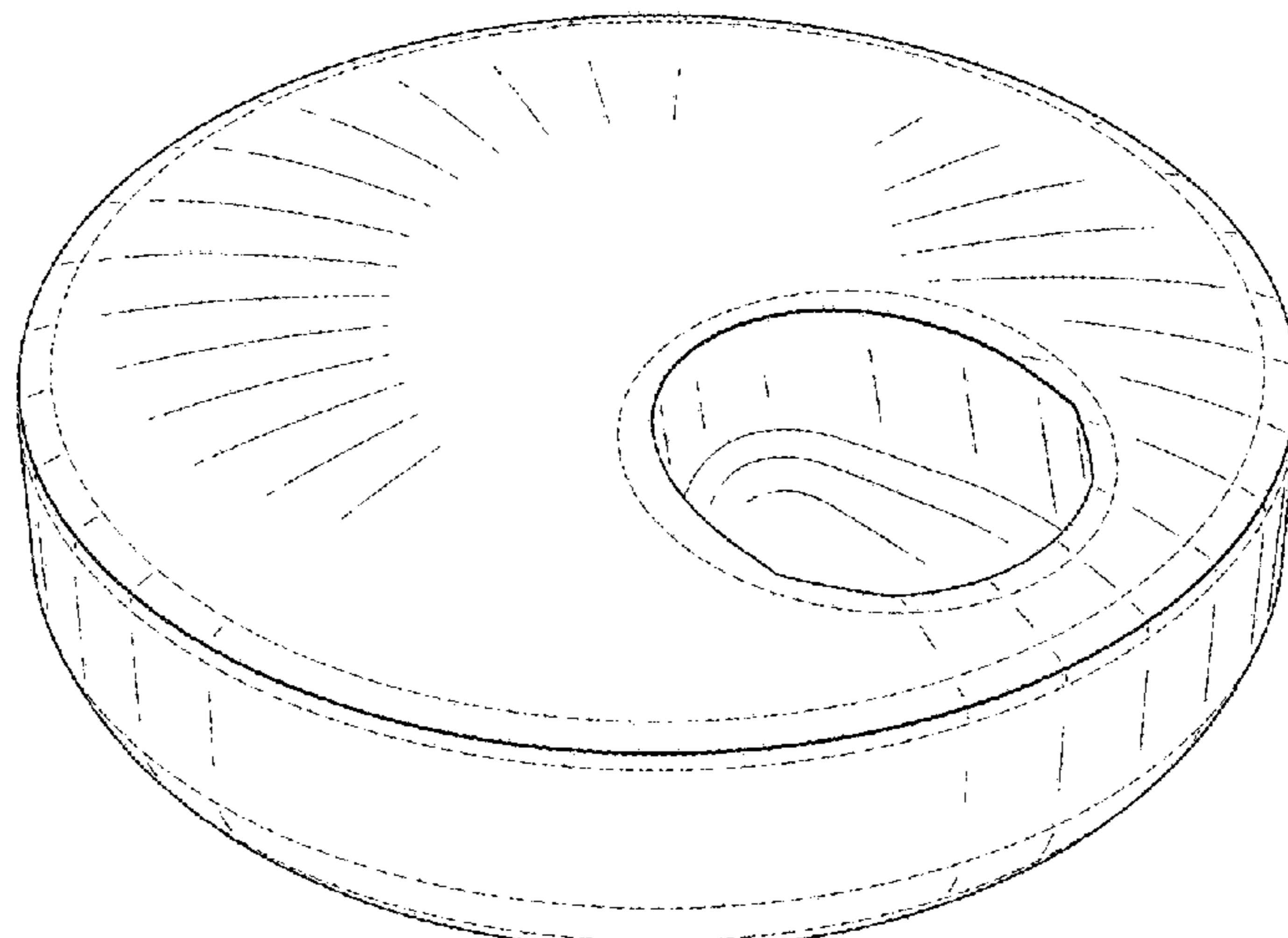
(57) **CLAIM**

The ornamental design for a razor stand, as shown and described.

**DESCRIPTION**

FIG. 1 is a perspective view of a razor stand showing my new design;  
FIG. 2 is a front view thereof;  
FIG. 3 is a rear view thereof;  
FIG. 4 is a right side view thereof;  
FIG. 5 is a left side view thereof;  
FIG. 6 is a top view thereof;  
FIG. 7 is a bottom view thereof; and,  
FIG. 8 is another perspective view thereof.  
The broken lines are directed to the environment and are for illustrative purposes only and form no part of the claimed design.

**1 Claim, 6 Drawing Sheets**



(56)

**References Cited**

U.S. PATENT DOCUMENTS

D677,503 S	3/2013	Floyd et al.	
D695,544 S	12/2013	Floyd et al.	
D695,545 S	12/2013	Floyd et al.	
D699,473 S	2/2014	Szczepanowski et al.	
D745,916 S	12/2015	Oh	
D776,180 S	1/2017	Fiedler	
D783,838 S	4/2017	Zhao	
D790,372 S	6/2017	Daoura	
D820,000 S *	6/2018	Watson	..... D6/526
D831,375 S *	10/2018	Ramm	..... D6/526
D831,996 S *	10/2018	Grabes	..... D6/526
10,104,950 B1 *	10/2018	Provost	..... A45D 27/29
D839,627 S *	2/2019	Watson	..... D6/526

\* cited by examiner

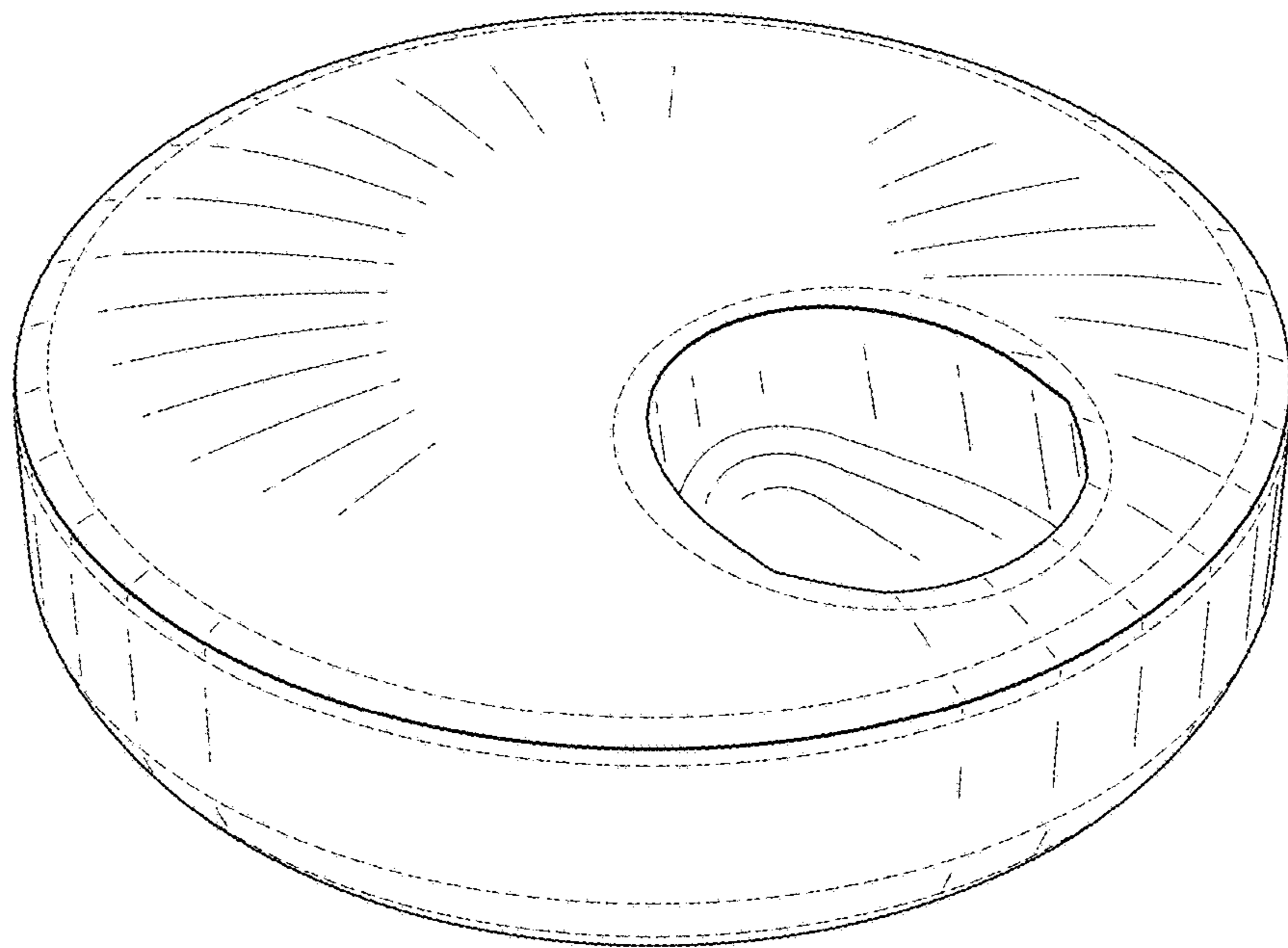


FIG. 1

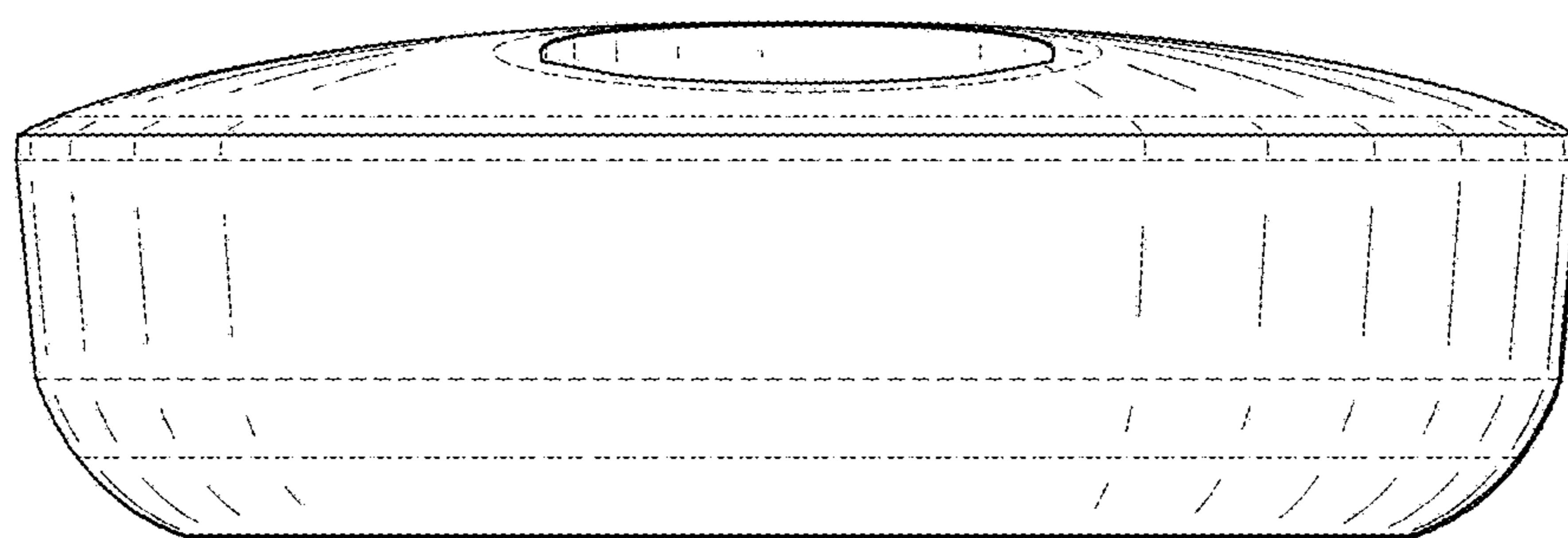


FIG. 2

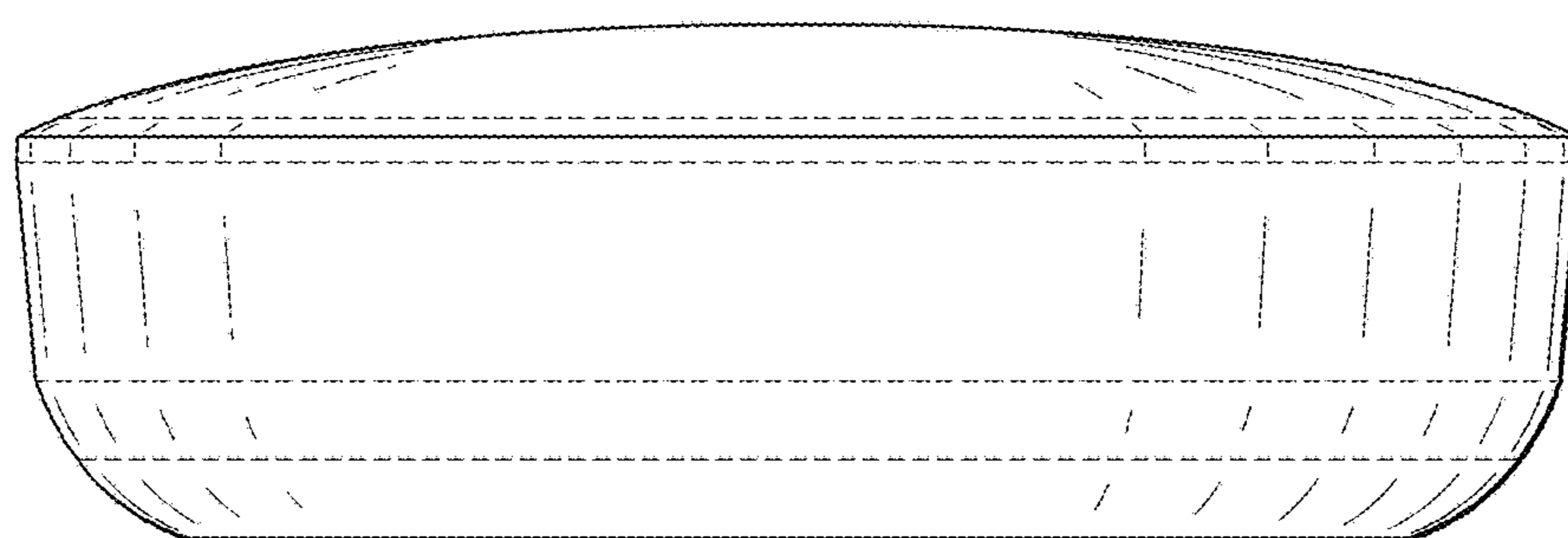


FIG. 3

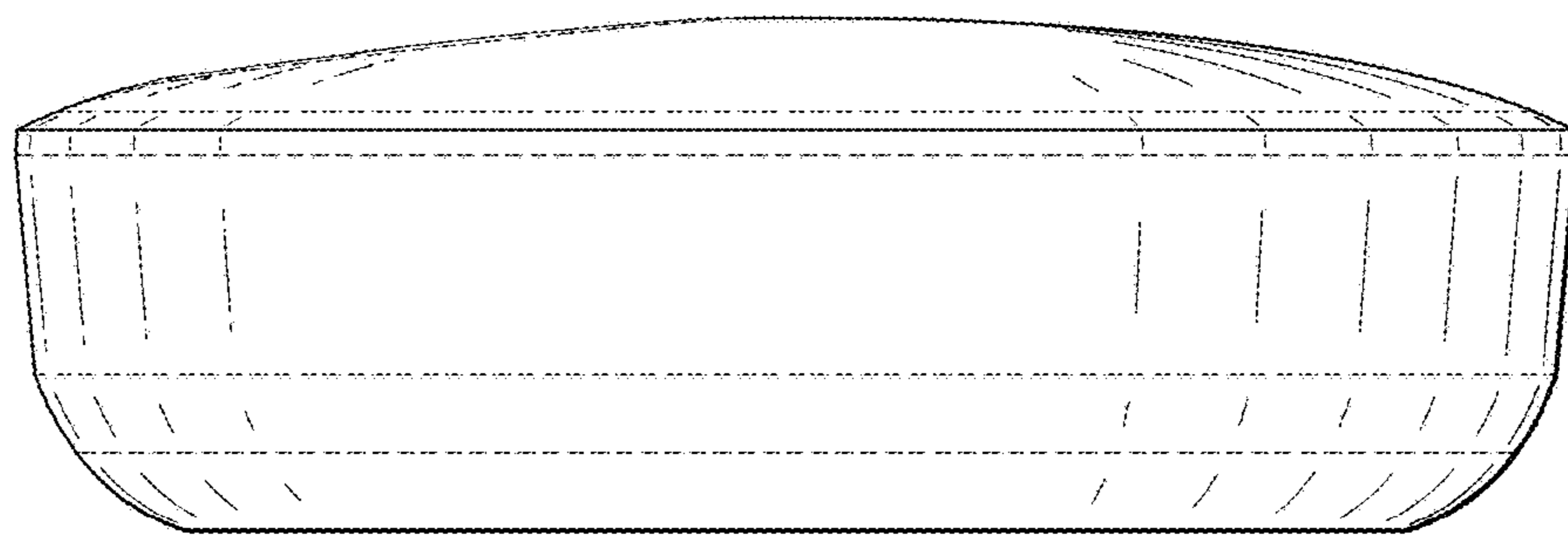


FIG. 4

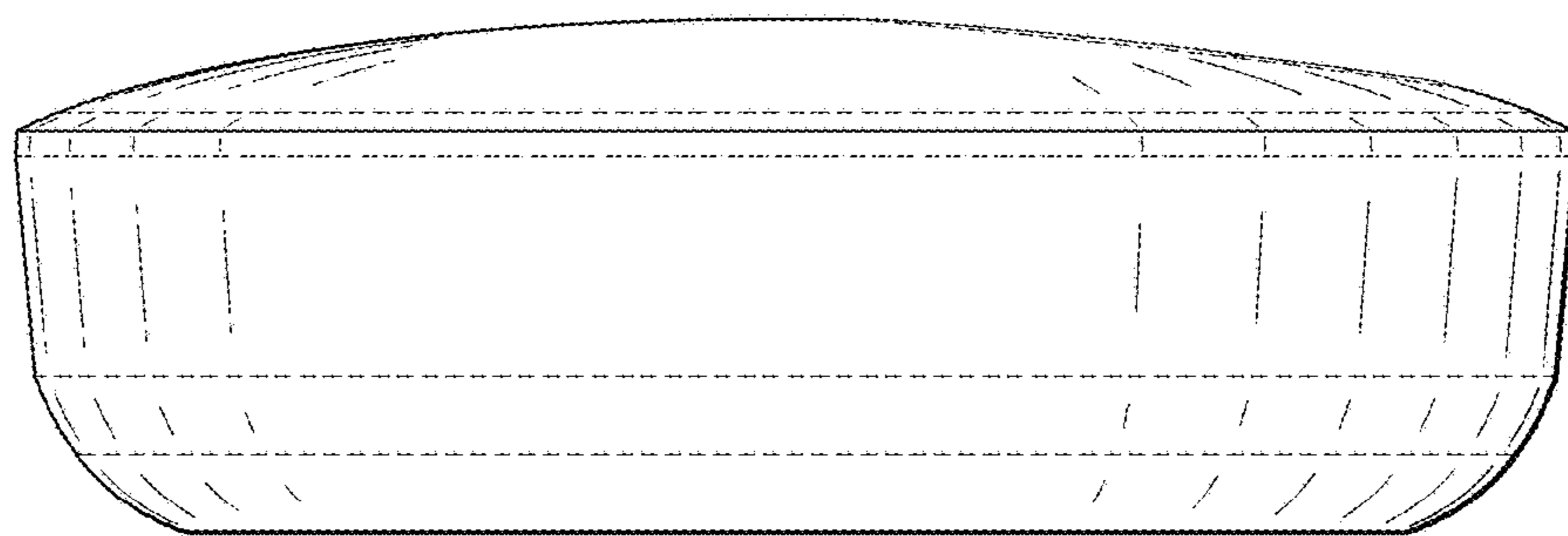


FIG. 5

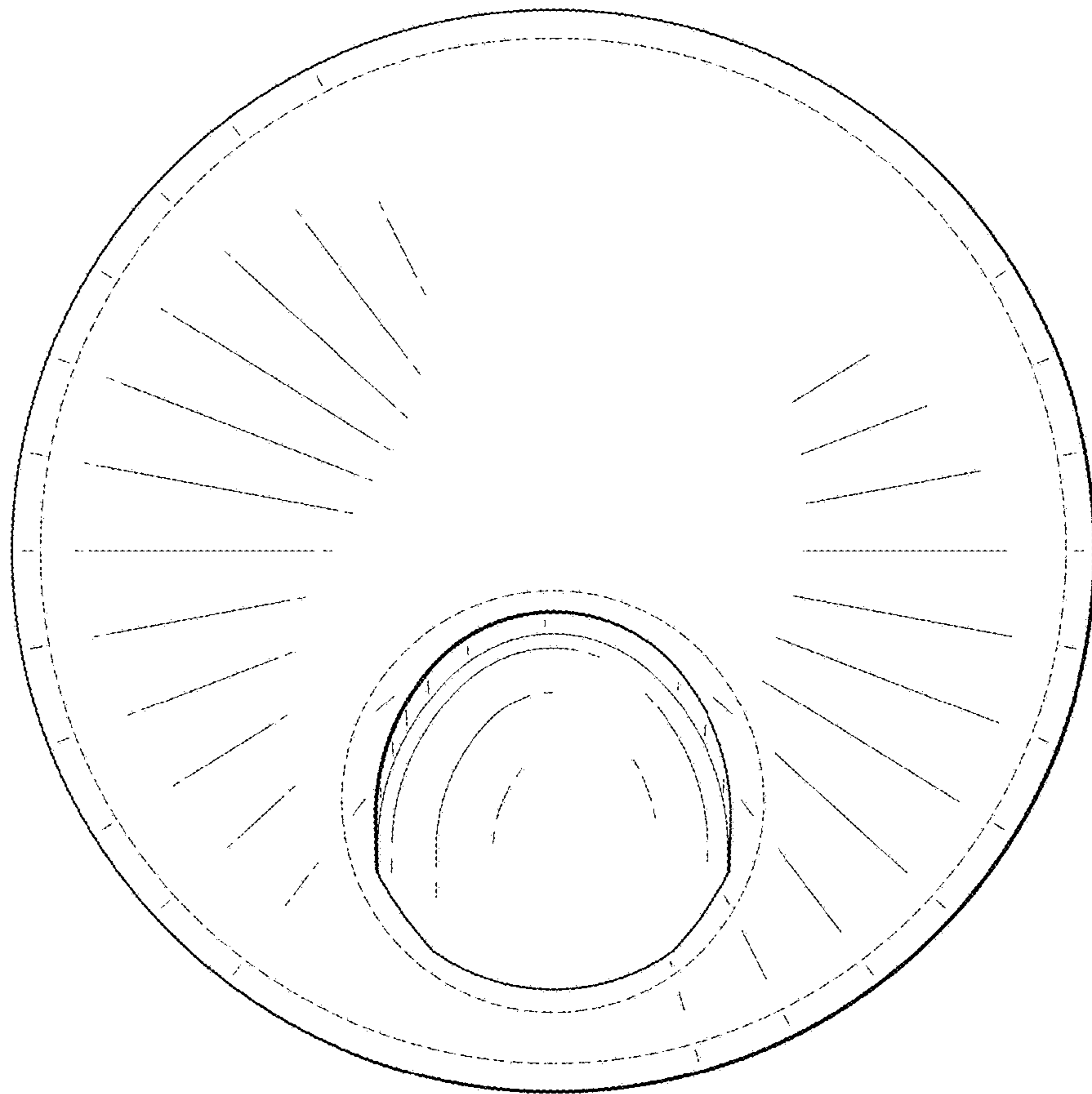


FIG. 6



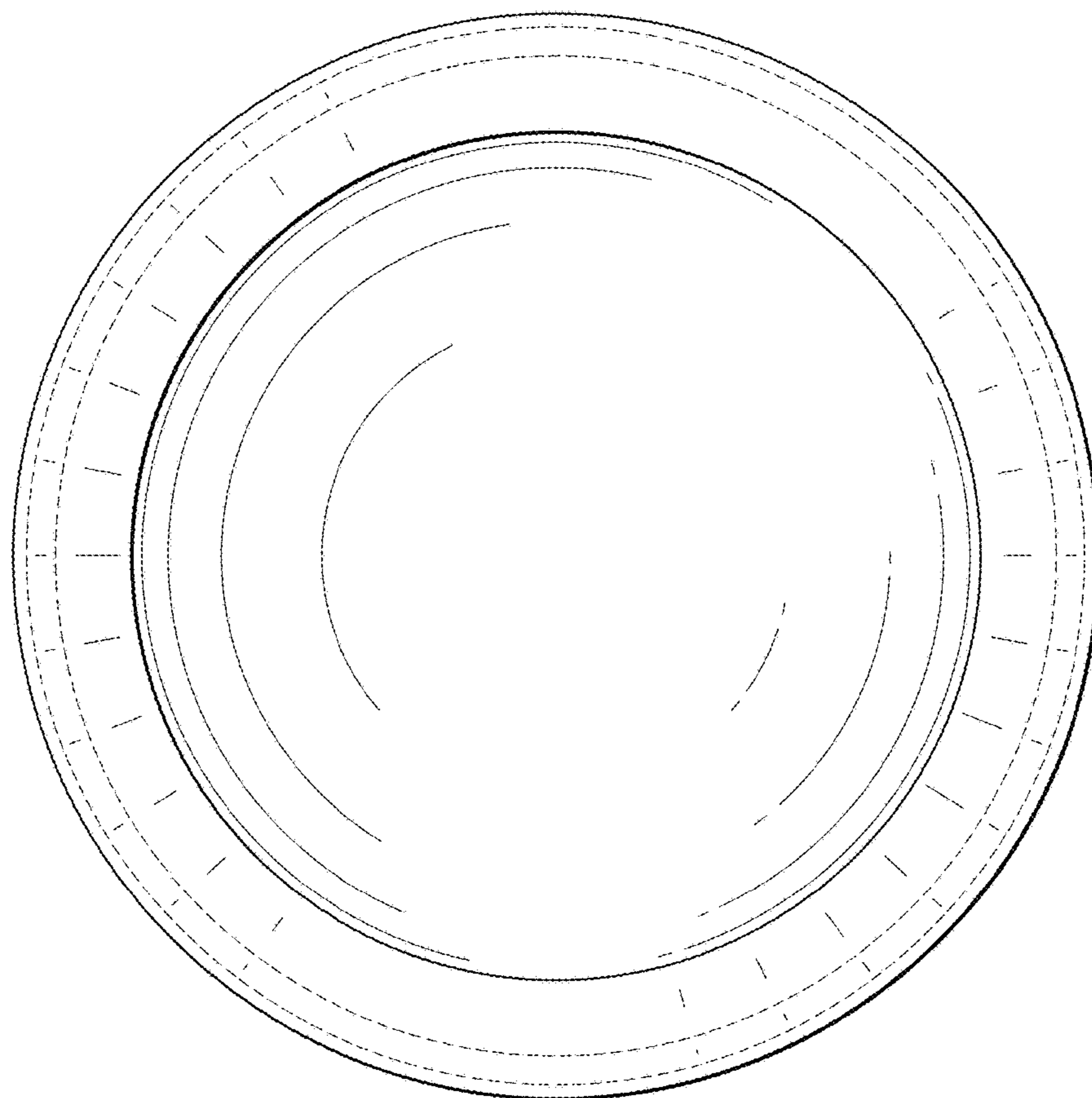


FIG. 7

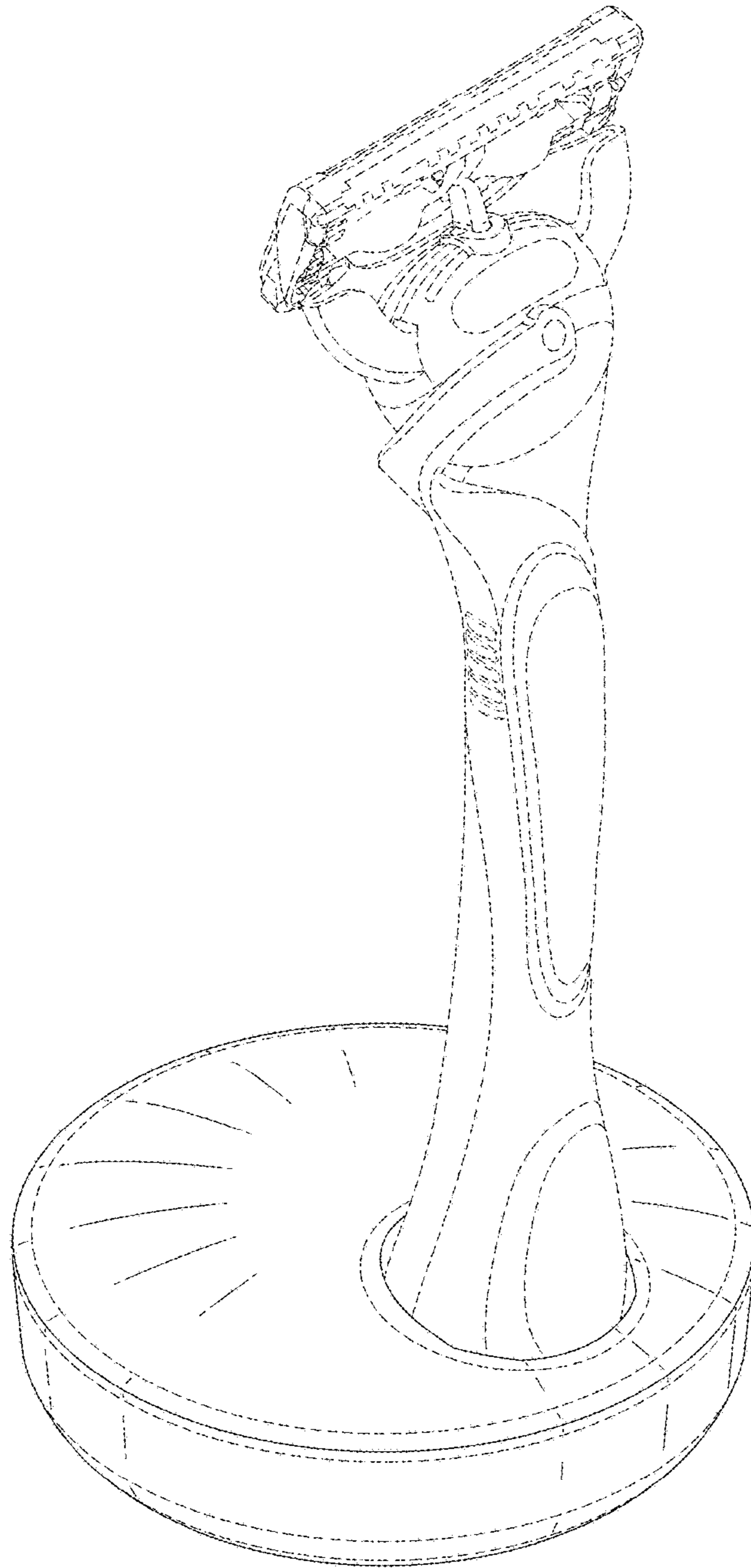


FIG. 8