



US00D862922S

(12) **United States Design Patent** (10) **Patent No.:** **US D862,922 S**
Stelmarski (45) **Date of Patent:** **** Oct. 15, 2019**

- (54) **CADDY**
- (71) Applicant: **InterDesign, Inc.**, Solon, OH (US)
- (72) Inventor: **Brian Stelmarski**, Hudson, OH (US)
- (73) Assignee: **InterDesign, Inc.**, Solon, OH (US)
- (**) Term: **15 Years**
- (21) Appl. No.: **29/648,998**
- (22) Filed: **May 25, 2018**
- (51) **LOC (12) Cl.** **23-02**
- (52) **U.S. Cl.**
USPC **D6/525**
- (58) **Field of Classification Search**
USPC D6/524-525, 566, 536, 540, 567, 570;
211/13.1, 74, 71.01, 86.01, 75, 88.01,
211/90.01, 90.03, 106, 119, 126.1, 133.5,
211/181.1, 134
CPC A47B 81/00; A47B 45/00; A47B 57/00;
A47B 57/26; A47B 96/02; B65D 21/086;
B65D 25/04
See application file for complete search history.

- (56) **References Cited**
U.S. PATENT DOCUMENTS
D562,608 S * 2/2008 Kramer D6/525
D564,271 S * 3/2008 Snider A47K 3/281
D6/525
D572,061 S * 7/2008 Snider A47K 3/281
D6/525
D640,488 S * 6/2011 Didehvar D6/525
D676,696 S * 2/2013 Primeau D6/525

- D677,089 S * 3/2013 Tawil D6/525
- D714,571 S * 10/2014 Walker D6/525
- D718,554 S * 12/2014 Snider D6/525
- D723,834 S * 3/2015 Tawil D6/525
- D728,260 S * 5/2015 Snider D6/525
- D787,227 S * 5/2017 Ghiorghie D6/525
- D824,189 S * 7/2018 Yang D6/525
- 2013/0319959 A1 * 12/2013 Didehvar A47B 45/00
211/13.1

* cited by examiner

Primary Examiner — David G Muller
Assistant Examiner — Nathan M Johnston
(74) *Attorney, Agent, or Firm* — Calfee, Halter & Griswold, LLP

(57) **CLAIM**

I claim the ornamental design for a caddy, as shown and described.

DESCRIPTION

FIG. 1 is a front/right/top perspective view of a caddy showing my new design;
FIG. 2 is a rear/right/bottom perspective view thereof;
FIG. 3 is a top plan view thereof;
FIG. 4 is a right side elevational view thereof; a left side elevational view would be a mirror image thereof;
FIG. 5 is a front elevational view thereof;
FIG. 6 is a rear elevational view thereof; and,
FIG. 7 is a bottom plan view thereof.
The broken lines depict portions that form no part of the claimed design.

1 Claim, 7 Drawing Sheets

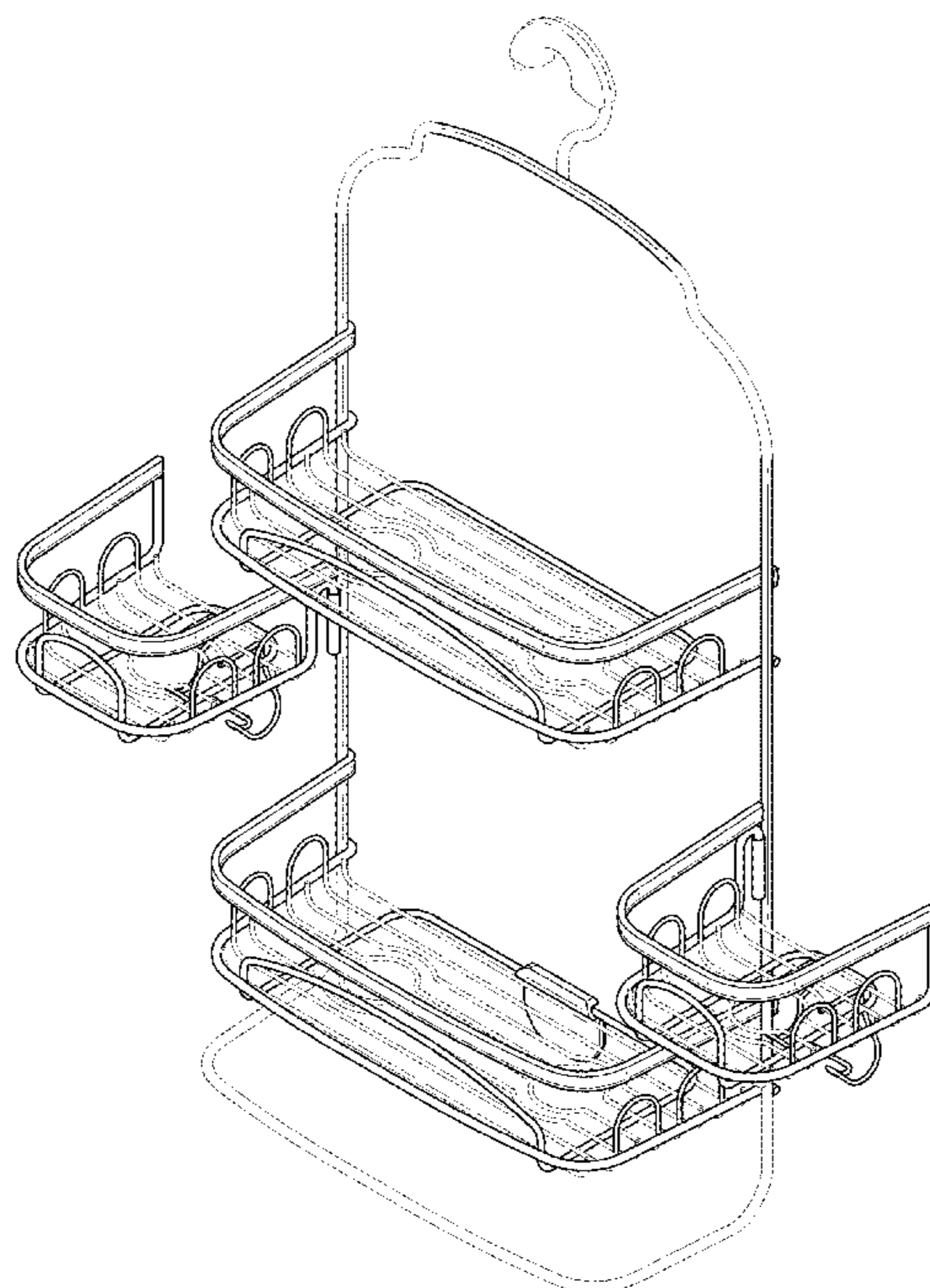


FIG. 1

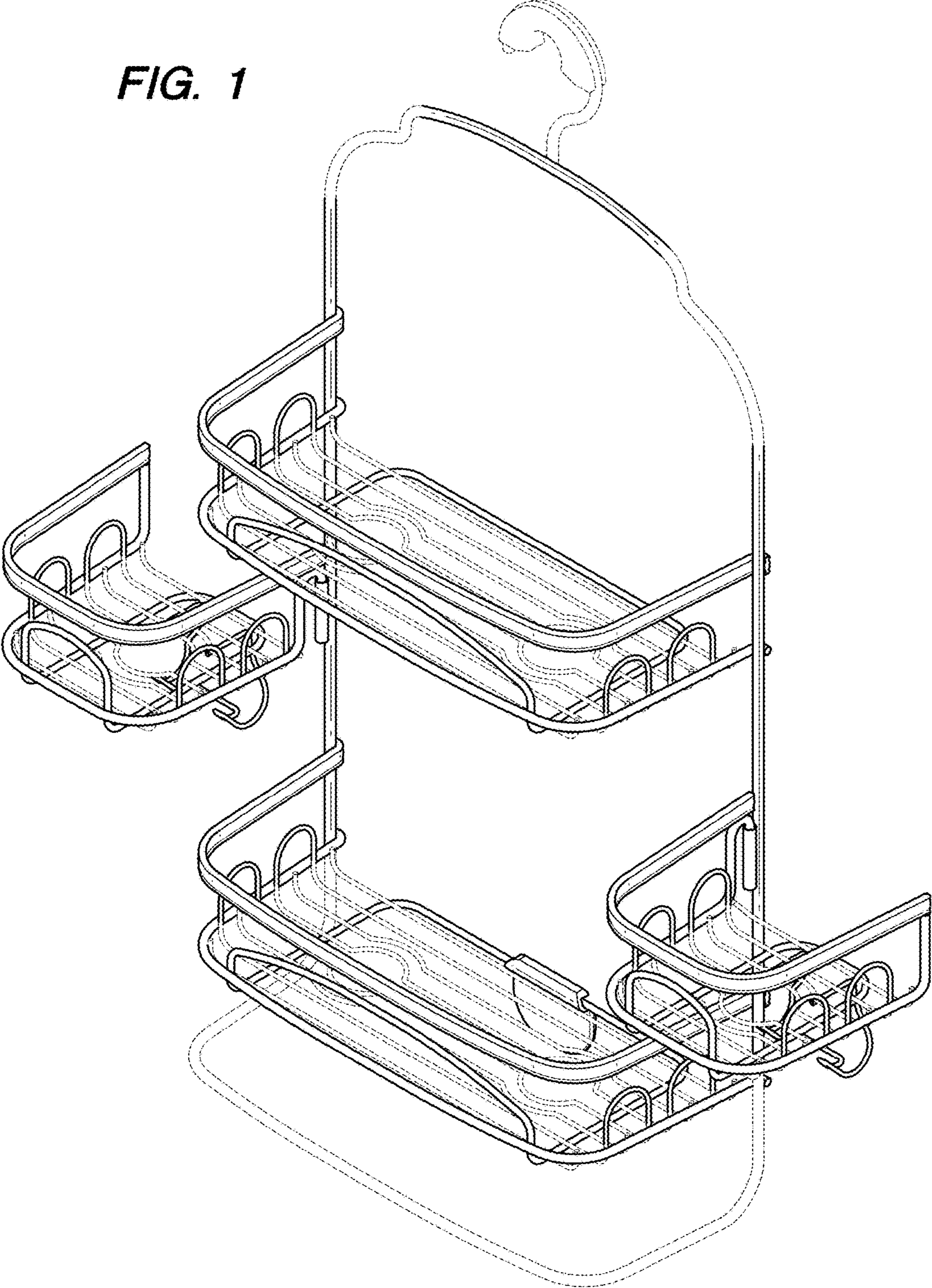


FIG. 2

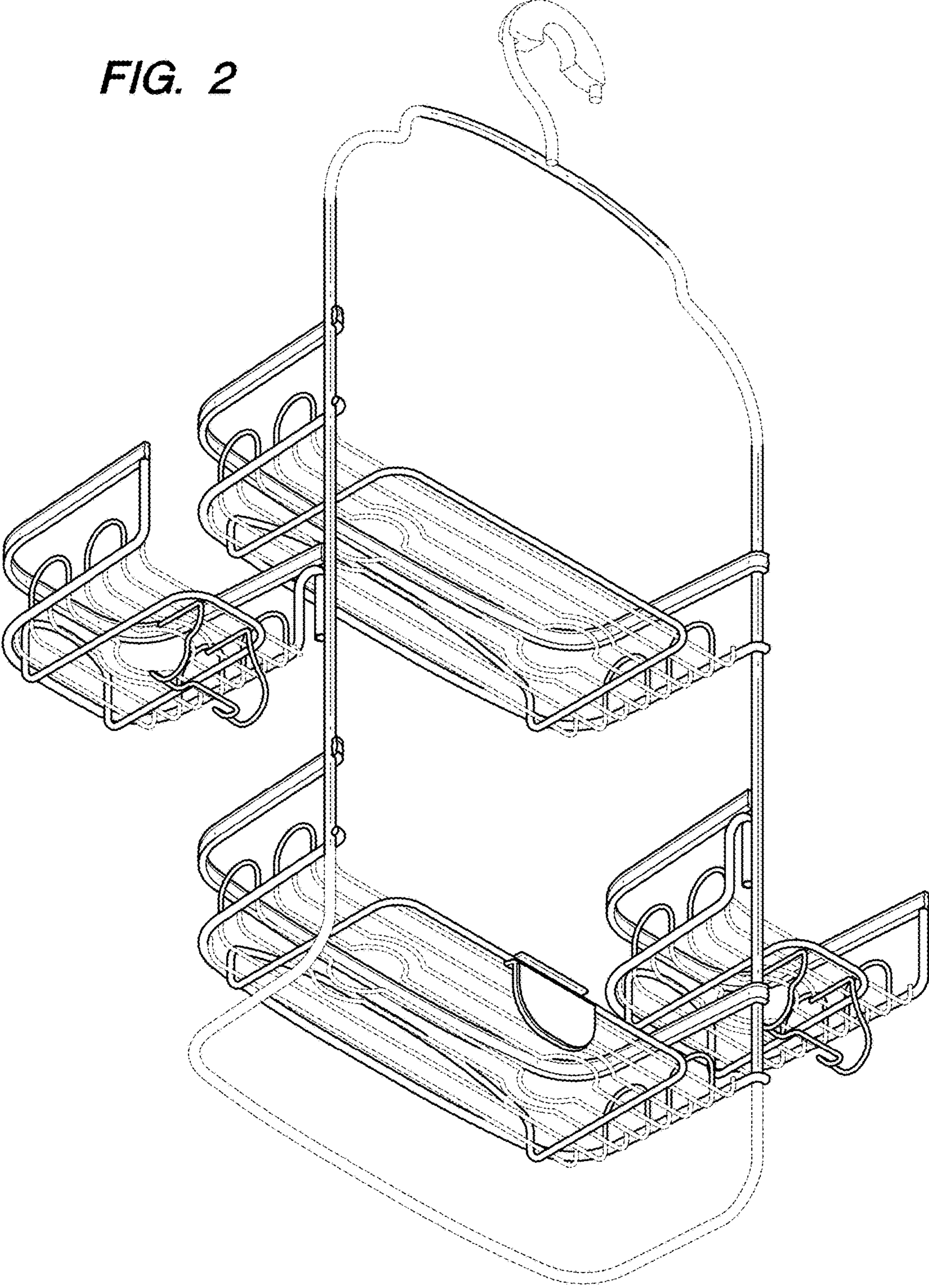


FIG. 3

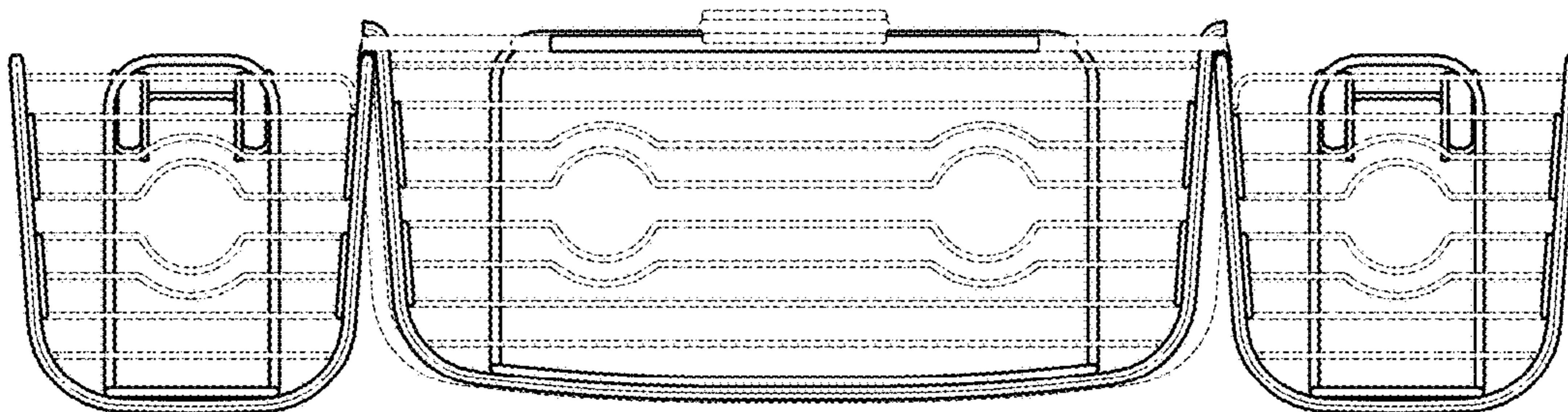


FIG. 4

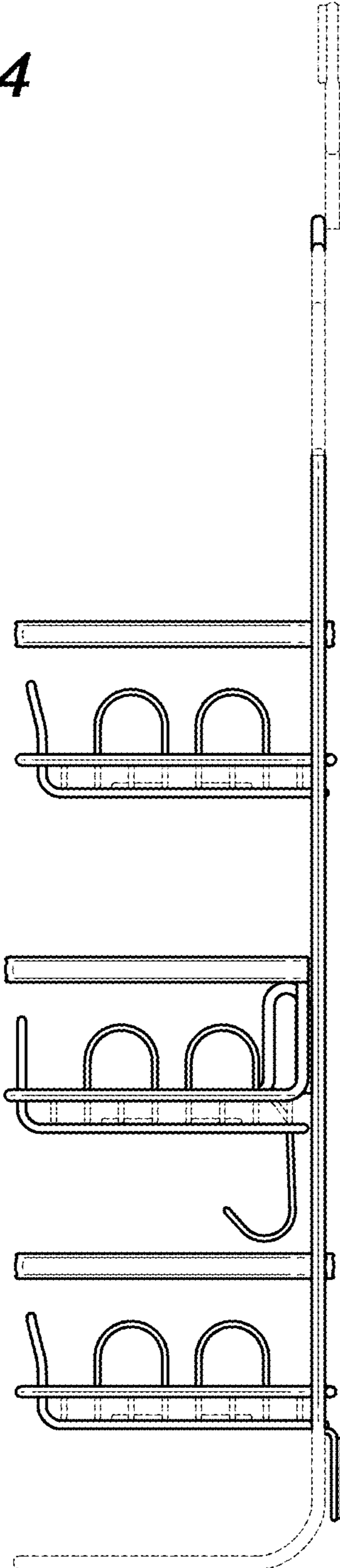


FIG. 5

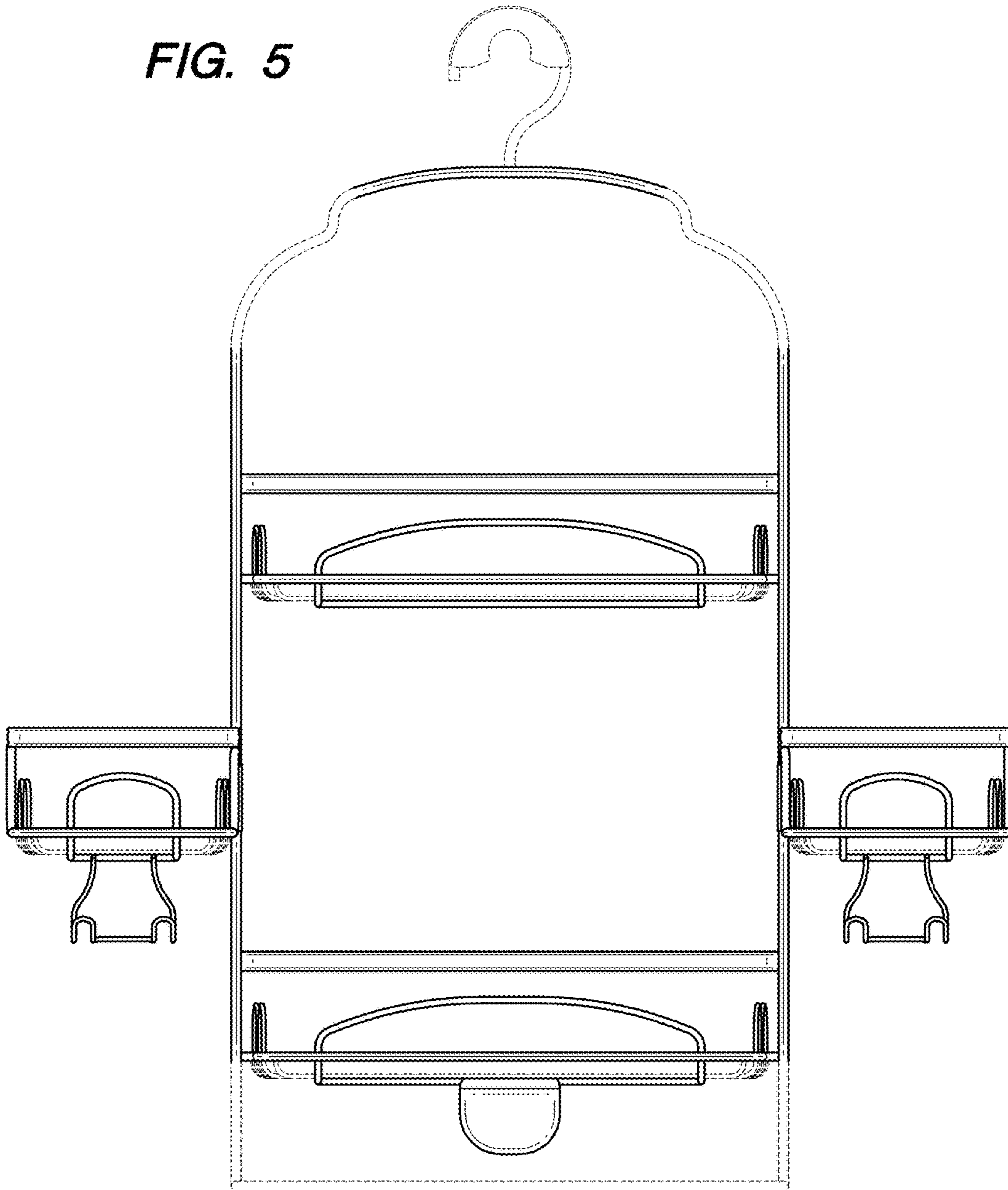


FIG. 6

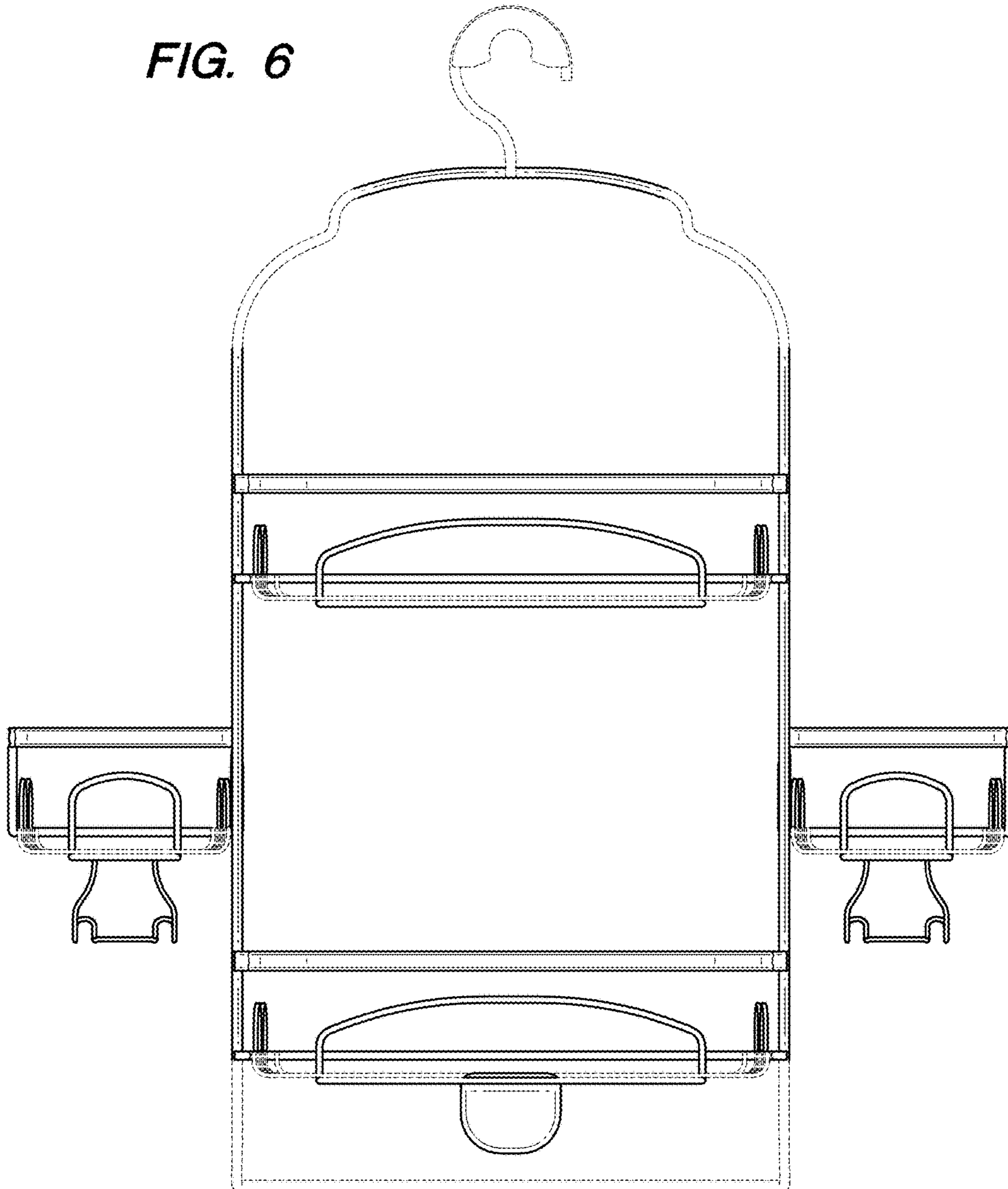


FIG. 7

