

US00D862921S

(12) **United States Design Patent**
Dallaire

(10) **Patent No.:** **US D862,921 S**
(45) **Date of Patent:** **** Oct. 15, 2019**

- (54) **PILL RACK COUNTER**
- (71) Applicant: **9155-0020 Quebec Inc.**, Granby (CA)
- (72) Inventor: **Michel Dallaire**, Montreal (CA)
- (73) Assignee: **9155-0020 QUEBEC INC.**, Granby, Quebec (CA)
- (**) Term: **15 Years**
- (21) Appl. No.: **29/590,432**
- (22) Filed: **Jan. 10, 2017**
- (51) **LOC (12) Cl.** **03-01**
- (52) **U.S. Cl.**
USPC **D6/515**
- (58) **Field of Classification Search**
USPC D6/515, 657, 153, 154, 159, 168, 561,
D6/671.1; D15/141; 312/204, 245, 294,
312/33 R; D10/97; D22/116; 144/285
CPC A61J 7/02; B65B 57/20; G07F 17/0092
See application file for complete search history.

- D455,668 S * 4/2002 Ali-Ahmed D10/97
- D470,561 S * 2/2003 Salib D22/116
- 7,044,178 B1 * 5/2006 Campbell B25H 1/12
144/285
- D685,588 S * 7/2013 Stukenberg D6/657

* cited by examiner

Primary Examiner — Wan Laymon
Assistant Examiner — Mark Booker
(74) *Attorney, Agent, or Firm* — Eversheds Sutherland
(US) LLP

(57) **CLAIM**

I claim the ornamental design for a pill rack counter, as shown and described.

DESCRIPTION

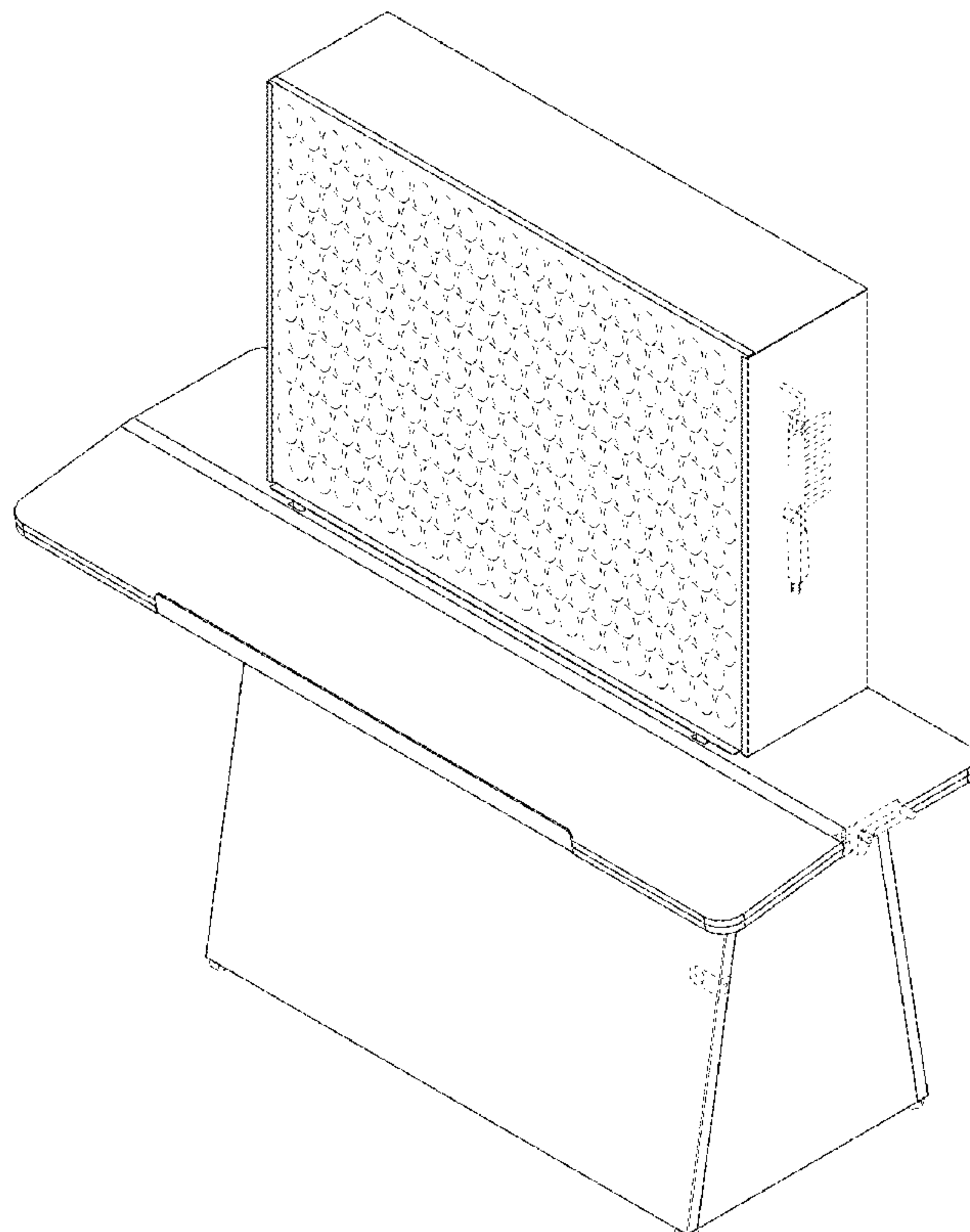
FIG. 1 is a perspective view showing our new design for a pill rack counter;
FIG. 2 is a front view showing the design of FIG. 1;
FIG. 3 is a rear view showing the design of FIG. 1;
FIG. 4 is a left-hand view showing the design of FIG. 1;
FIG. 5 is a right-hand view showing the design of FIG. 1;
FIG. 6 is a top view showing the design of FIG. 1; and,
FIG. 7 is a bottom view showing the design of FIG. 1.
In FIGS. 1-7, the broken lines are for purposes of illustration only, and do not form a part of the claimed design.

(56) **References Cited**

U.S. PATENT DOCUMENTS

- D262,761 S * 1/1982 Young D6/561
- D295,813 S * 5/1988 Rowse D6/515

1 Claim, 6 Drawing Sheets



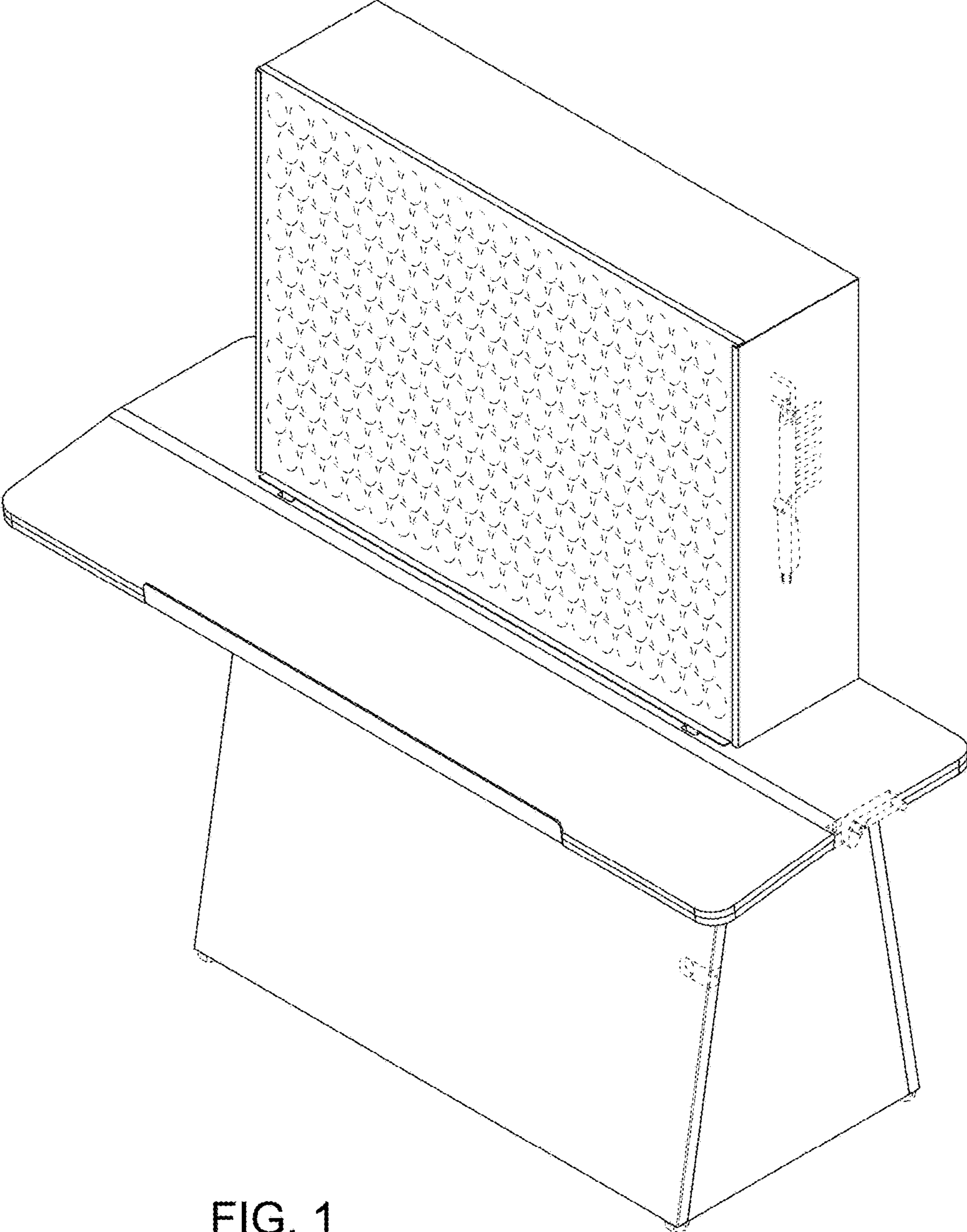


FIG. 1

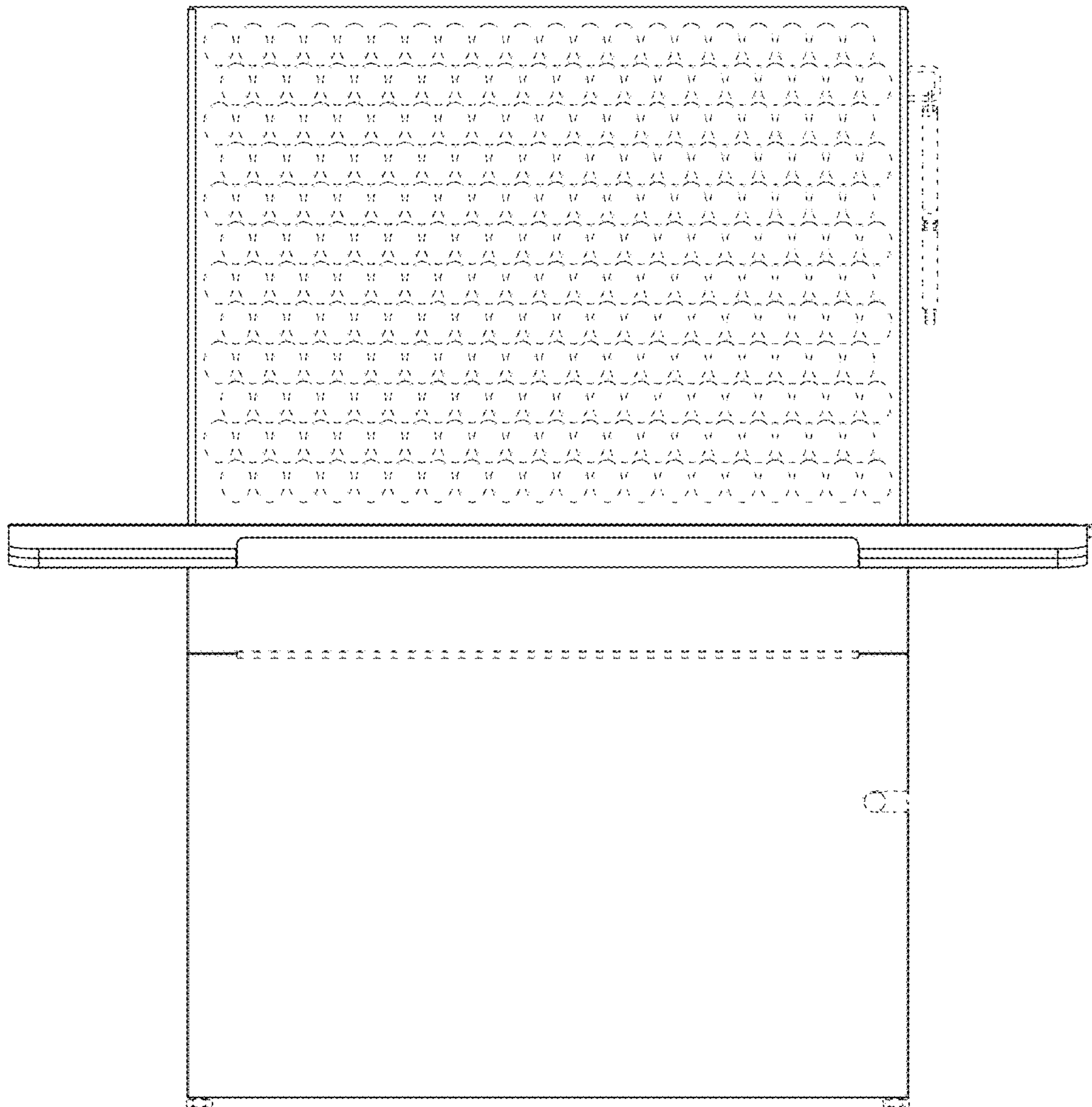


FIG. 2

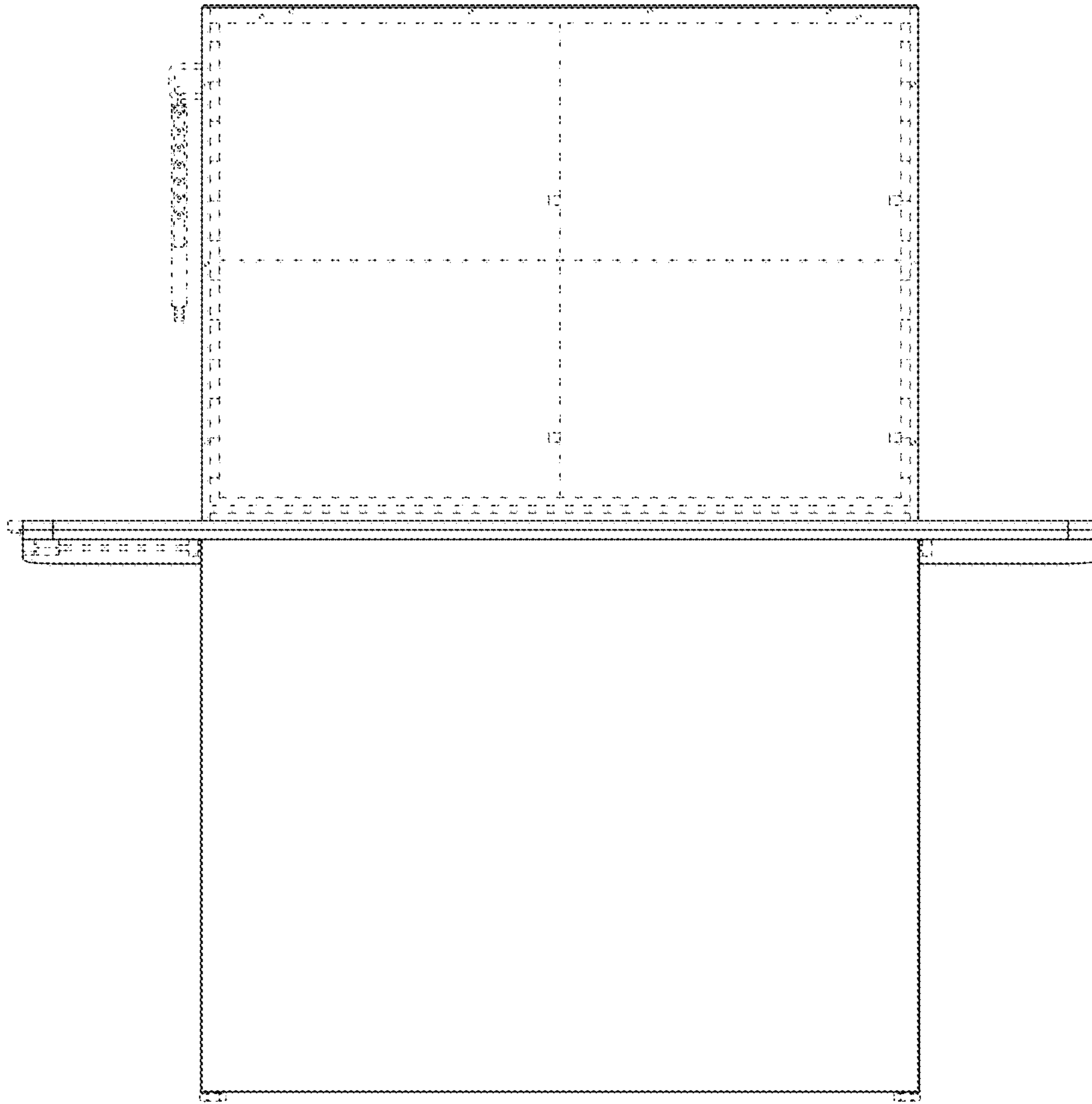


FIG. 3

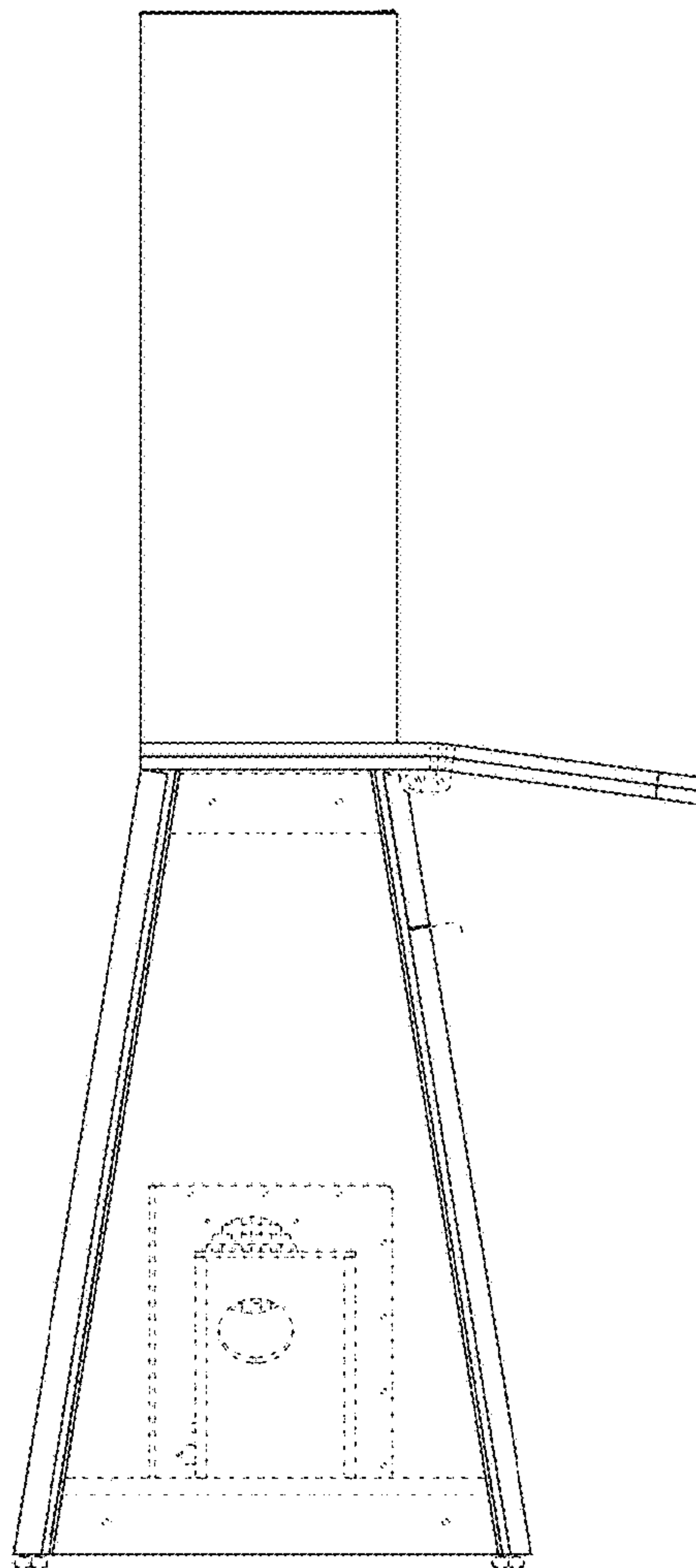


FIG. 4

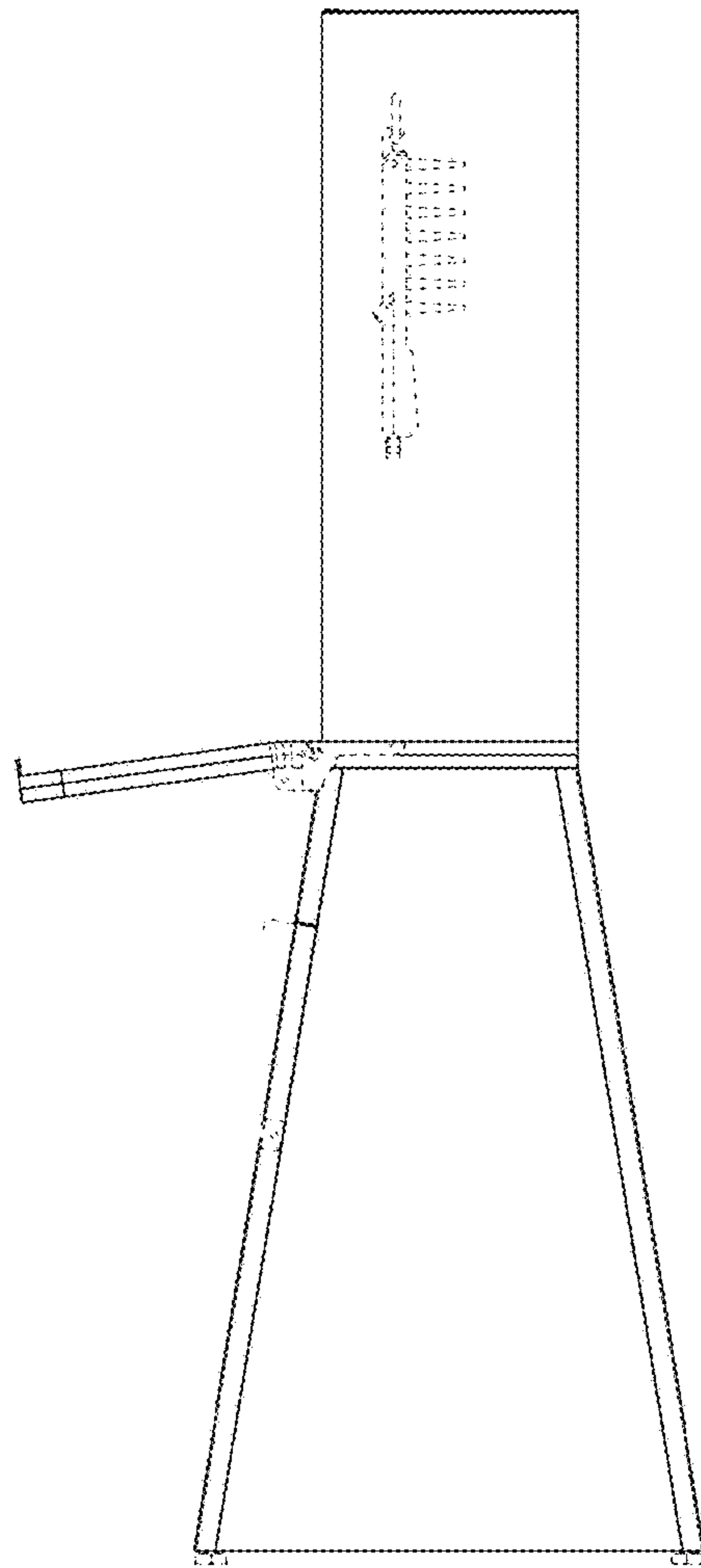


FIG. 5

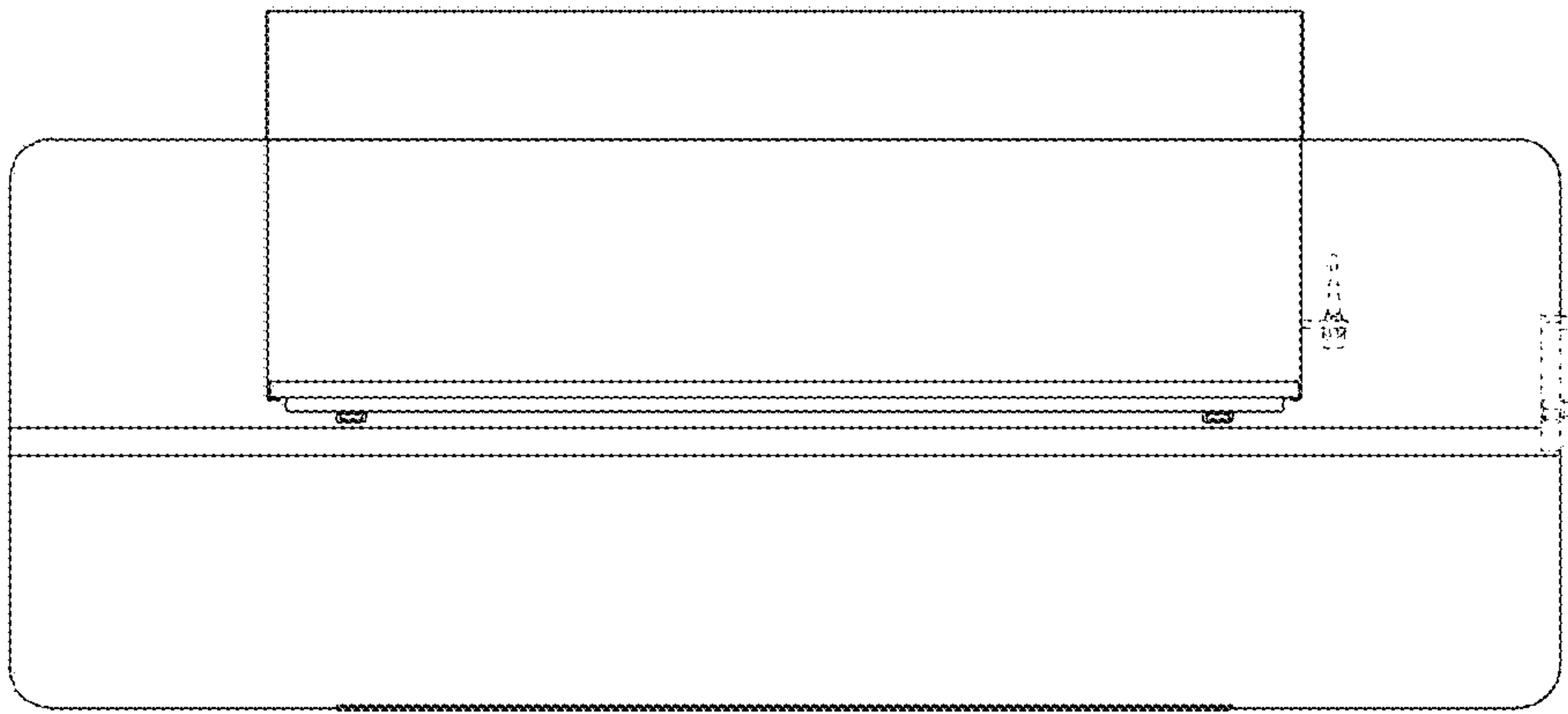


FIG. 6

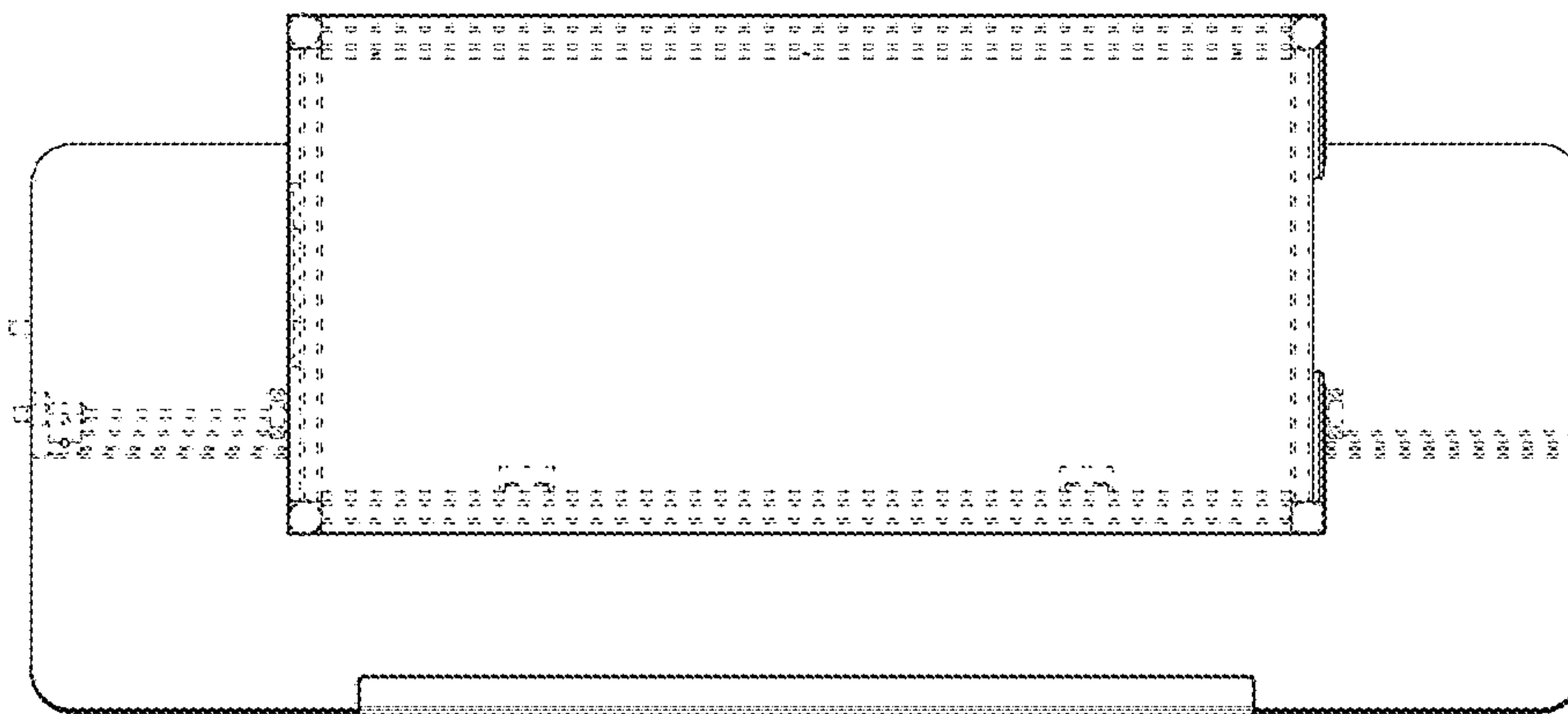


FIG. 7