

US00D862917S

(12) **United States Design Patent** (10) **Patent No.:** **US D862,917 S**
Woudstra (45) **Date of Patent:** **** Oct. 15, 2019**

(54) **CHAIR**
(71) Applicant: **Living Style Furniture Holding Limited**, Tortola (VG)
(72) Inventor: **Hilco Woudstra**, Havelock, NC (US)
(73) Assignee: **Living Style (B.V.I.) Limited**, Tortola (VG)
(**) Term: **15 Years**
(21) Appl. No.: **29/647,867**
(22) Filed: **May 16, 2018**
(51) **LOC (12) Cl.** **06-01**
(52) **U.S. Cl.**
USPC **D6/360**
(58) **Field of Classification Search**
USPC D6/334, 341, 349, 352, 353, 360, 364,
D6/373, 375, 677, 692, 700, 708, 716,
D6/350, 369, 708.16
CPC A47C 3/34; A47C 7/506; A47C 9/007;
A47C 13/023; A47C 4/028; A47C 4/02
See application file for complete search history.

D287,197 S * 12/1986 Zakharov D6/360
D402,126 S * 12/1998 Silva D6/360
D477,720 S * 7/2003 Diaz-Azcuy D6/334
D530,110 S * 10/2006 Kreiss D6/360
D686,010 S * 7/2013 Cramer D6/379
D690,526 S * 10/2013 Cramer D6/379
D730,097 S * 5/2015 Kubryk D6/716
D730,669 S * 6/2015 Kubryk D6/716
D744,251 S * 12/2015 Mick D6/360
D811,757 S * 3/2018 Moscheri D6/334
D850,138 S * 6/2019 Taraba D6/380

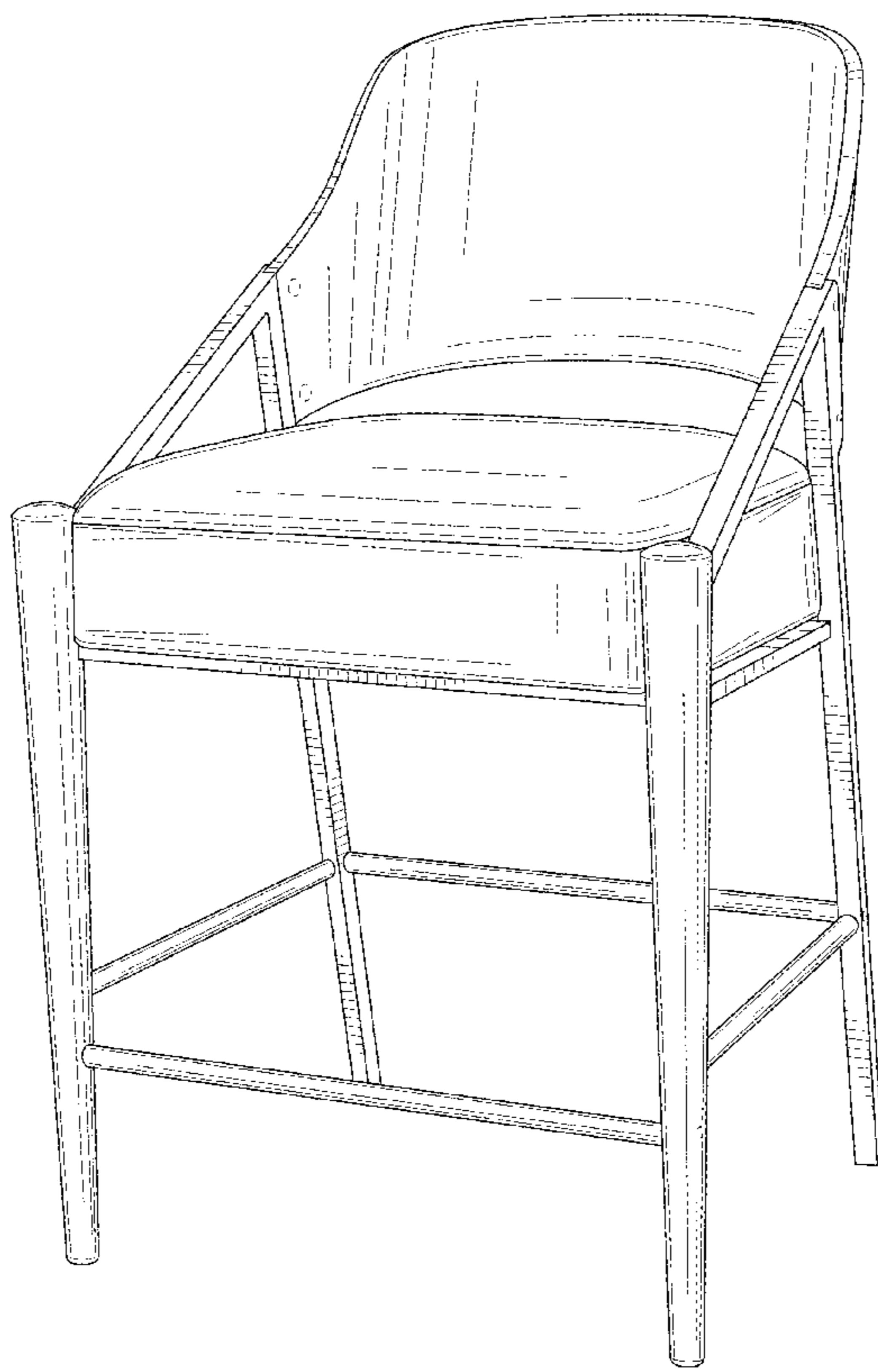
* cited by examiner
Primary Examiner — Kevin K Rudzinski
Assistant Examiner — Paul D Bohannon
(74) *Attorney, Agent, or Firm* — Barlow, Josephs & Holmes, Ltd.

(57) **CLAIM**
The ornamental design for a chair, as shown and described.

DESCRIPTION
FIG. 1 is a perspective view of a chair in accordance with the present design;
FIG. 2 is a front view thereof;
FIG. 3 is a rear view thereof;
FIG. 4 is a left side view thereof
FIG. 5 is a right side view thereof;
FIG. 6 is a top view thereof; and,
FIG. 7 is a bottom view thereof.

1 Claim, 7 Drawing Sheets

(56) **References Cited**
U.S. PATENT DOCUMENTS
D149,637 S * 5/1948 Hayes et al. D6/339
D259,751 S * 7/1981 Redmond D6/339
D269,056 S * 5/1983 Claman D6/369



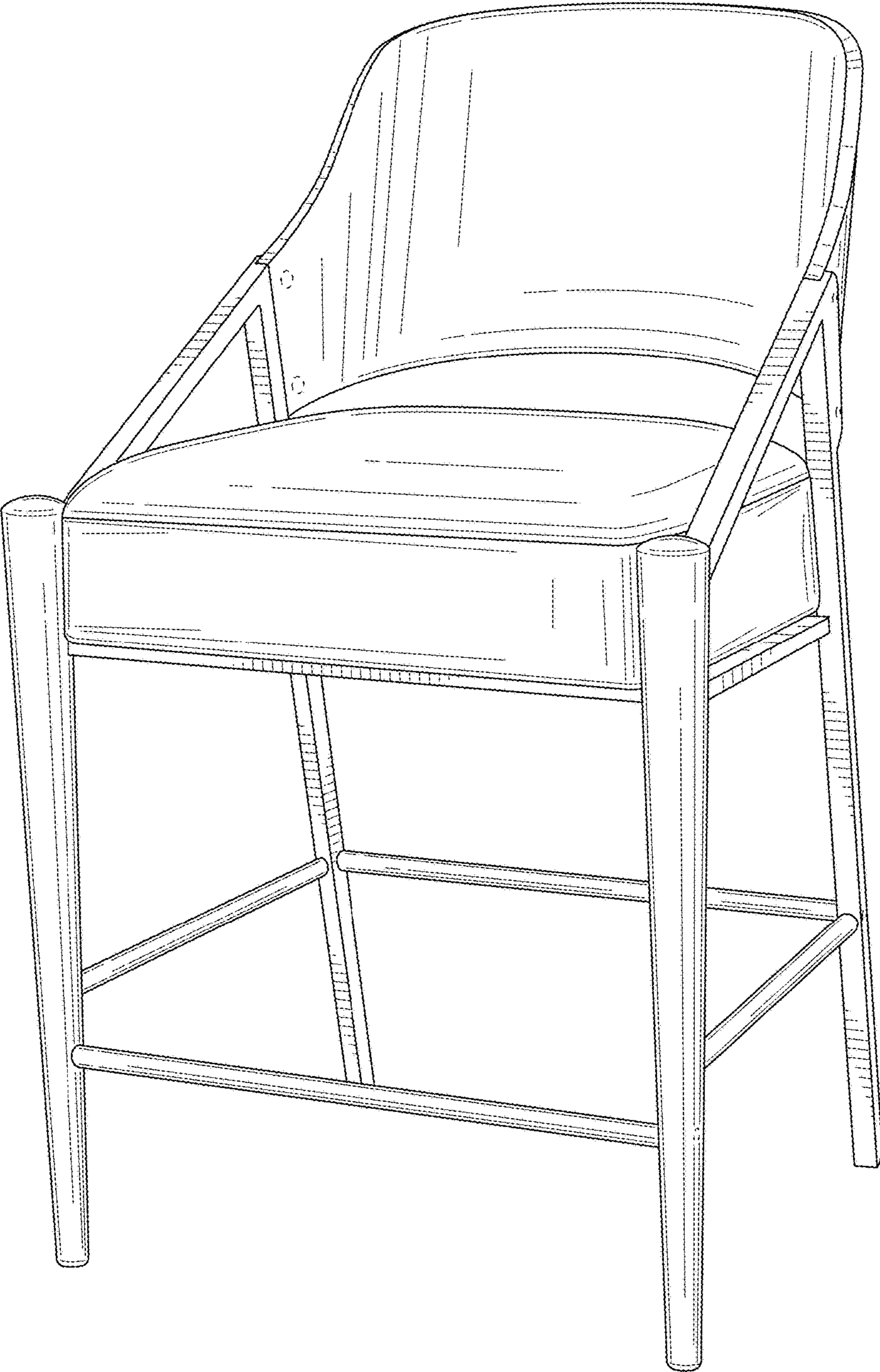


FIG. 1

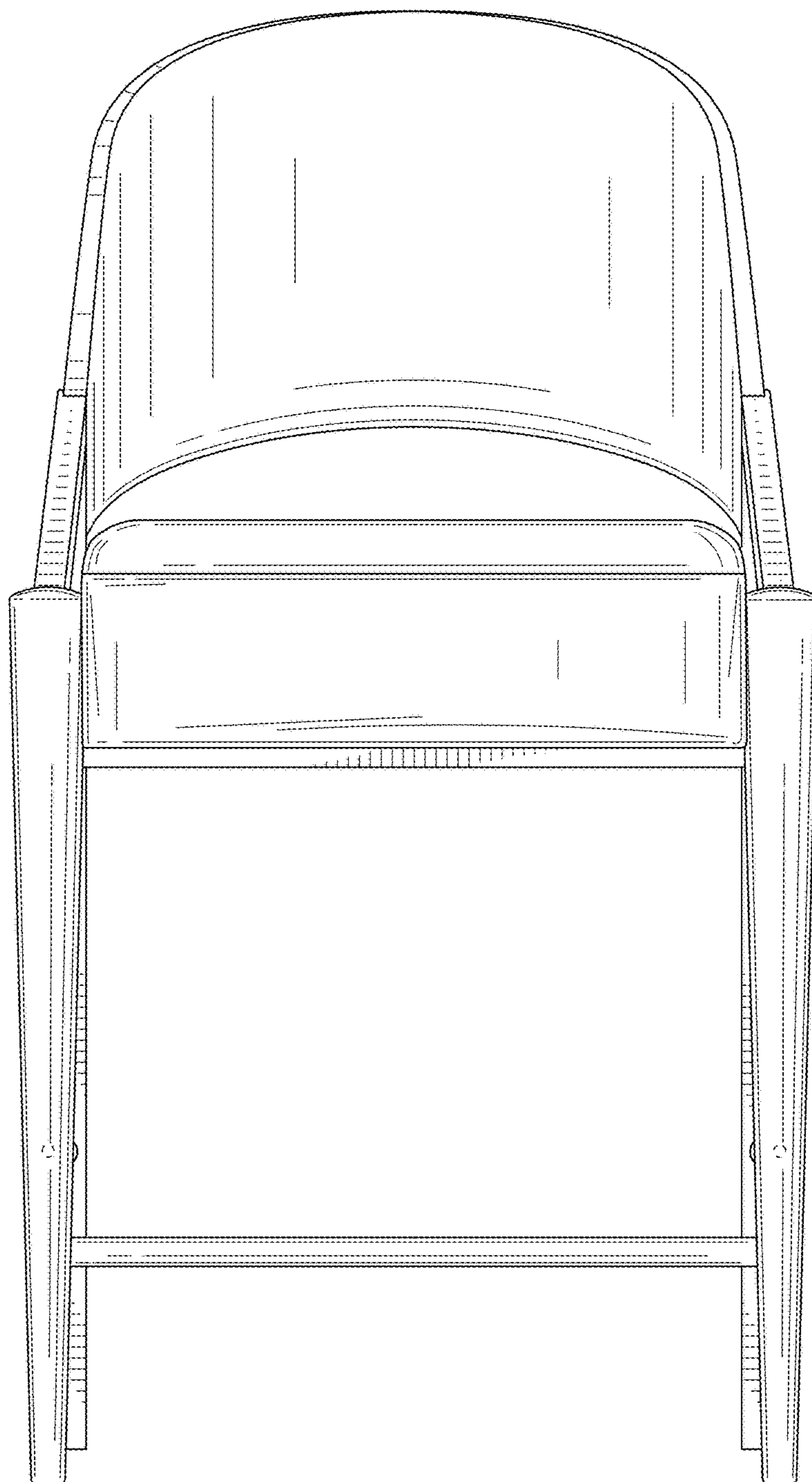


FIG. 2

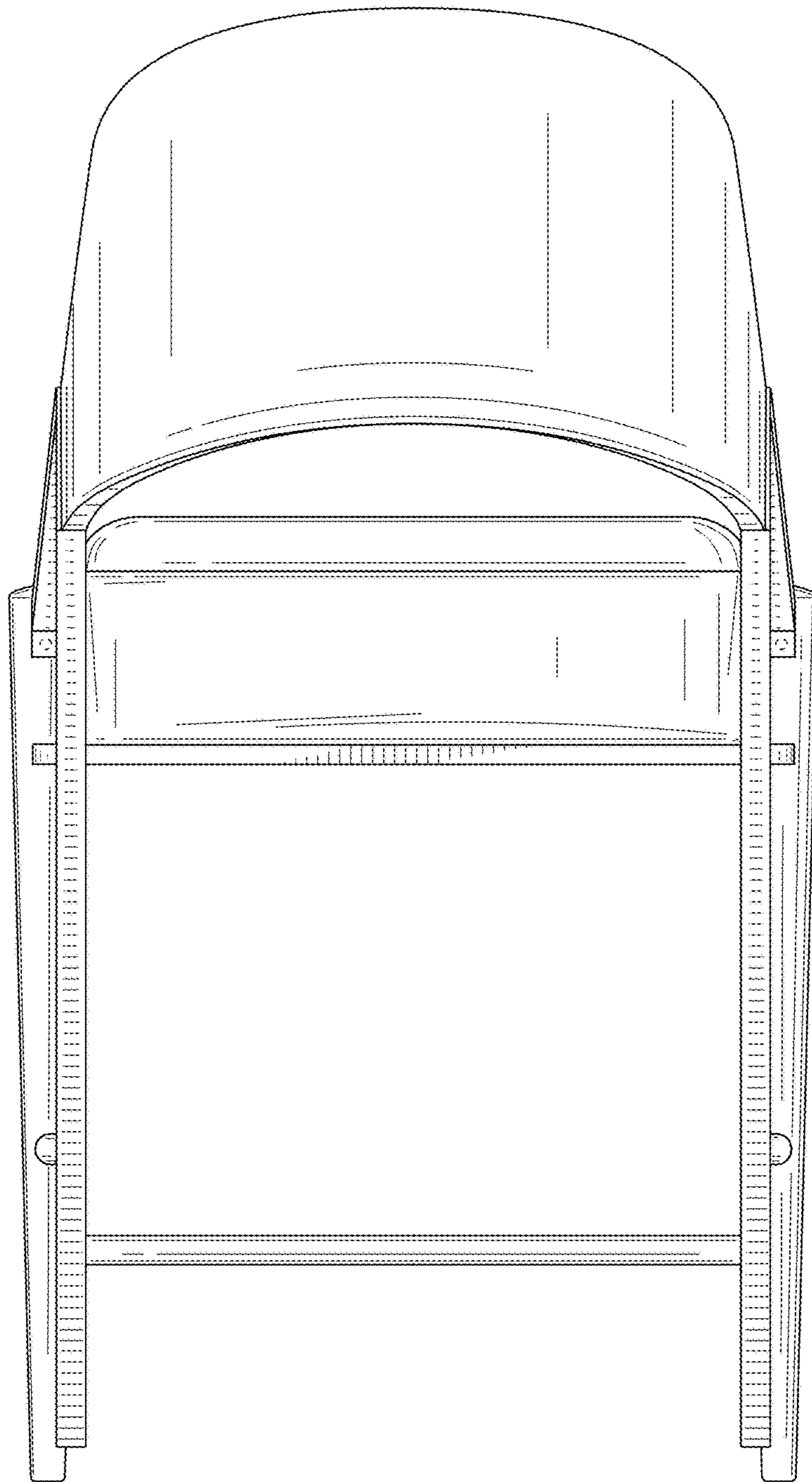


FIG. 3

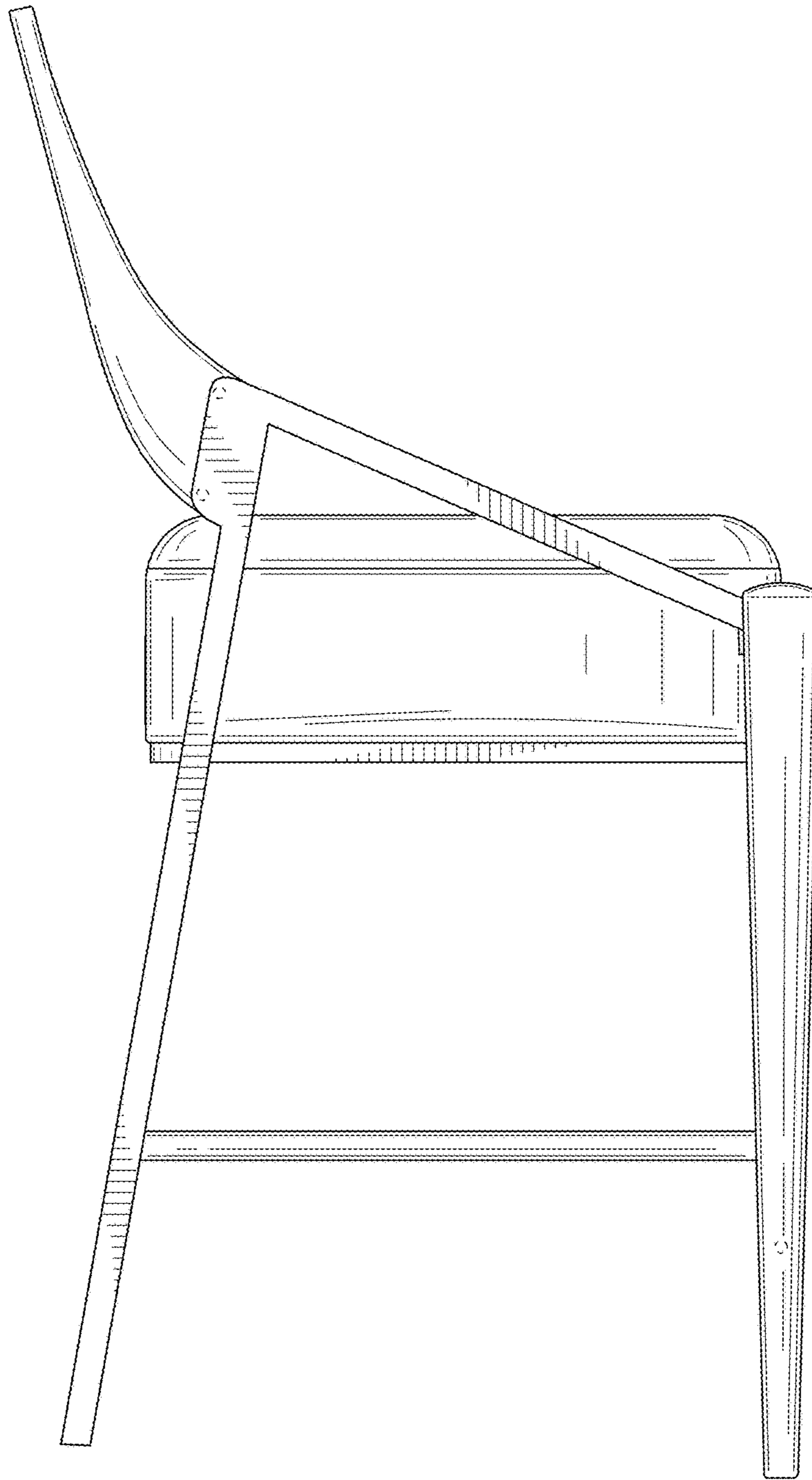


FIG. 4

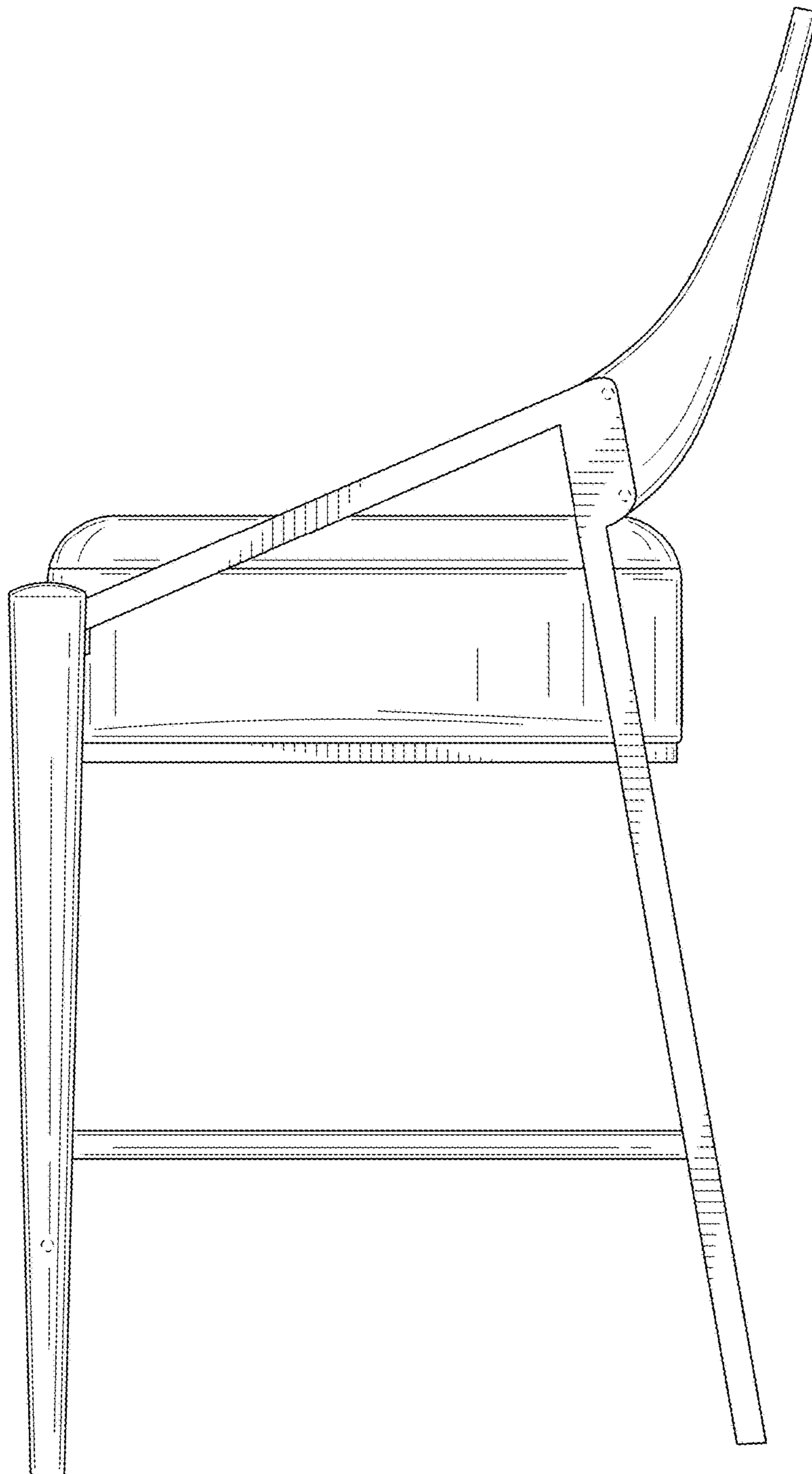


FIG. 5

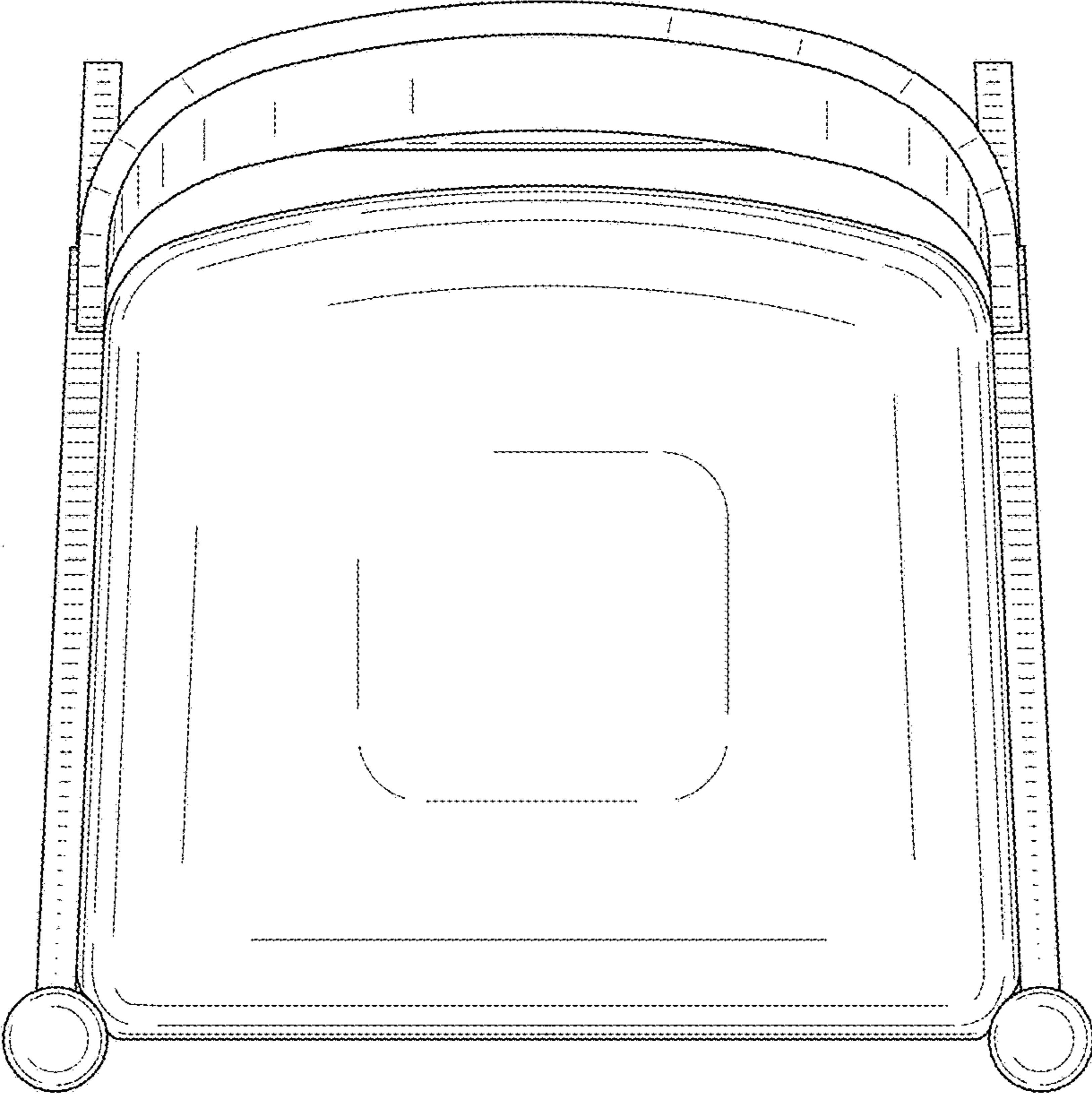


FIG. 6

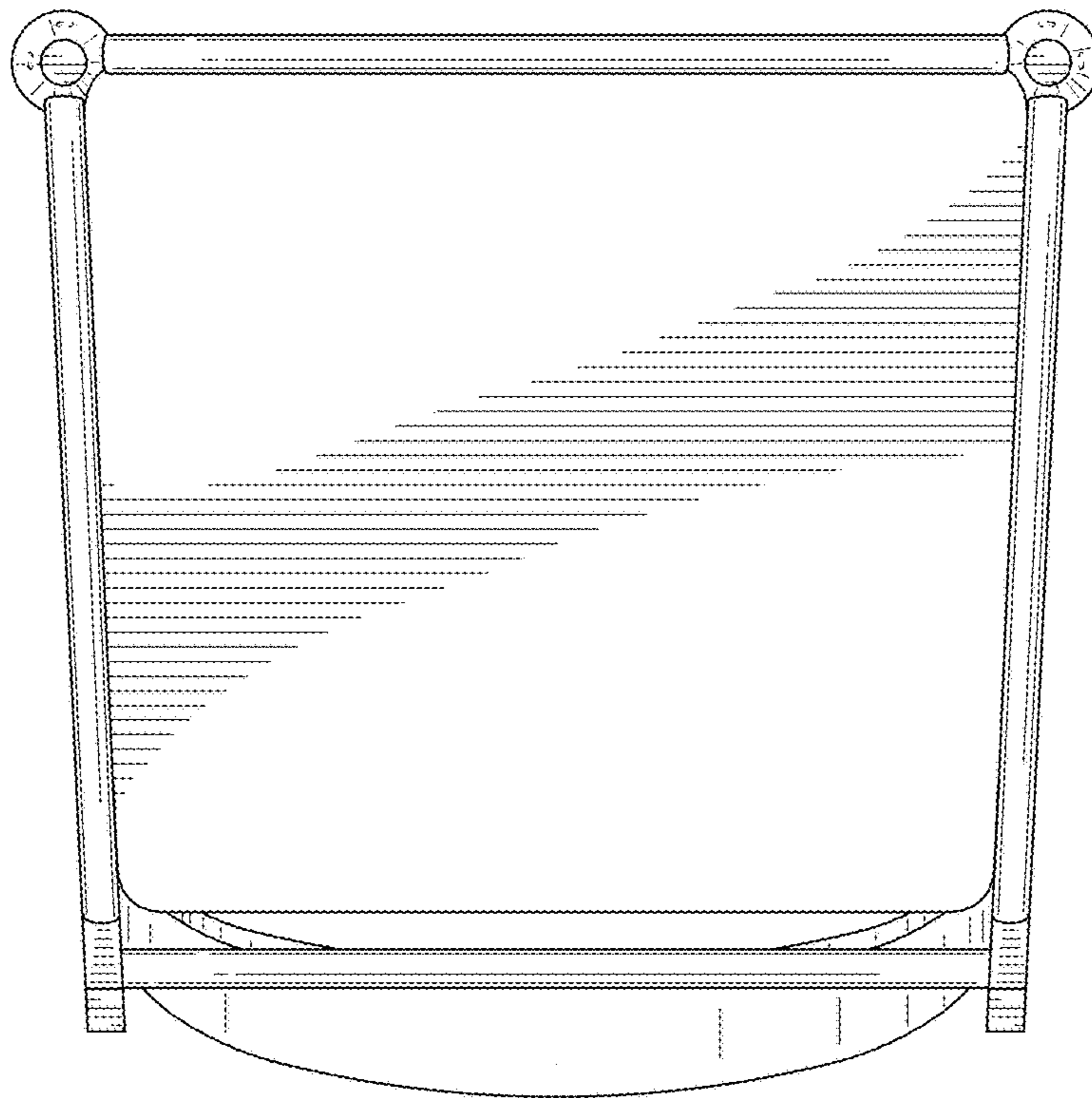


FIG. 7