

US00D862915S

(12) **United States Design Patent**  
**Cao**

(10) **Patent No.:** **US D862,915 S**  
(45) **Date of Patent:** **\*\* Oct. 15, 2019**

- (54) **STORAGE STOOL**
- (71) Applicant: **Guohua Cao**, Guangdong (CN)
- (72) Inventor: **Guohua Cao**, Guangdong (CN)
- (\*\*) Term: **15 Years**
- (21) Appl. No.: **29/658,017**
- (22) Filed: **Jul. 27, 2018**
- (51) **LOC (12) Cl.** ..... **06-01**
- (52) **U.S. Cl.**  
USPC ..... **D6/349; D6/336**
- (58) **Field of Classification Search**  
USPC ..... D6/334-338, 340-343, 349-353, 355,  
D6/364-366, 596, 601, 604, 691-691.9,  
D6/692-692.6, 716-716.1; D25/65  
CPC ..... A47B 7/00-02; A47C 11/00; A47C 12/00;  
A47C 16/02-04; A47C 9/00-105  
See application file for complete search history.

(56) **References Cited**

U.S. PATENT DOCUMENTS

- 254,867 A \* 3/1882 Graham et al. .... F24F 13/06  
454/290
- D151,983 S \* 12/1948 Guertin ..... 297/462
- D151,984 S \* 12/1948 Guertin ..... 297/144
- 2,509,395 A \* 5/1950 Madan ..... A47C 3/16  
229/5.5
- D351,508 S \* 10/1994 Bonazza ..... D6/336

- D352,837 S \* 11/1994 Pugh ..... D6/336
- D363,396 S \* 10/1995 Licari ..... D3/297
- D681,967 S \* 5/2013 Schoolmeester ..... D6/349
- D721,236 S \* 1/2015 Nikolajsen ..... D6/349
- D764,198 S \* 8/2016 Yoshida ..... D6/352
- D771,963 S \* 11/2016 Patel ..... D6/352
- D794,969 S \* 8/2017 Leibovies ..... D6/335
- D801,712 S \* 11/2017 Neil ..... D6/349
- D805,311 S \* 12/2017 Mandon ..... D6/349
- D822,804 S \* 7/2018 Inovero ..... D23/332
- D837,182 S \* 1/2019 Elmieh ..... D14/204
- 10,251,488 B2 \* 4/2019 Lan ..... A47C 9/002
- 2008/0265631 A1 \* 10/2008 Quicoy ..... A47C 16/02  
297/42

\* cited by examiner

*Primary Examiner* — Vy N Koenig

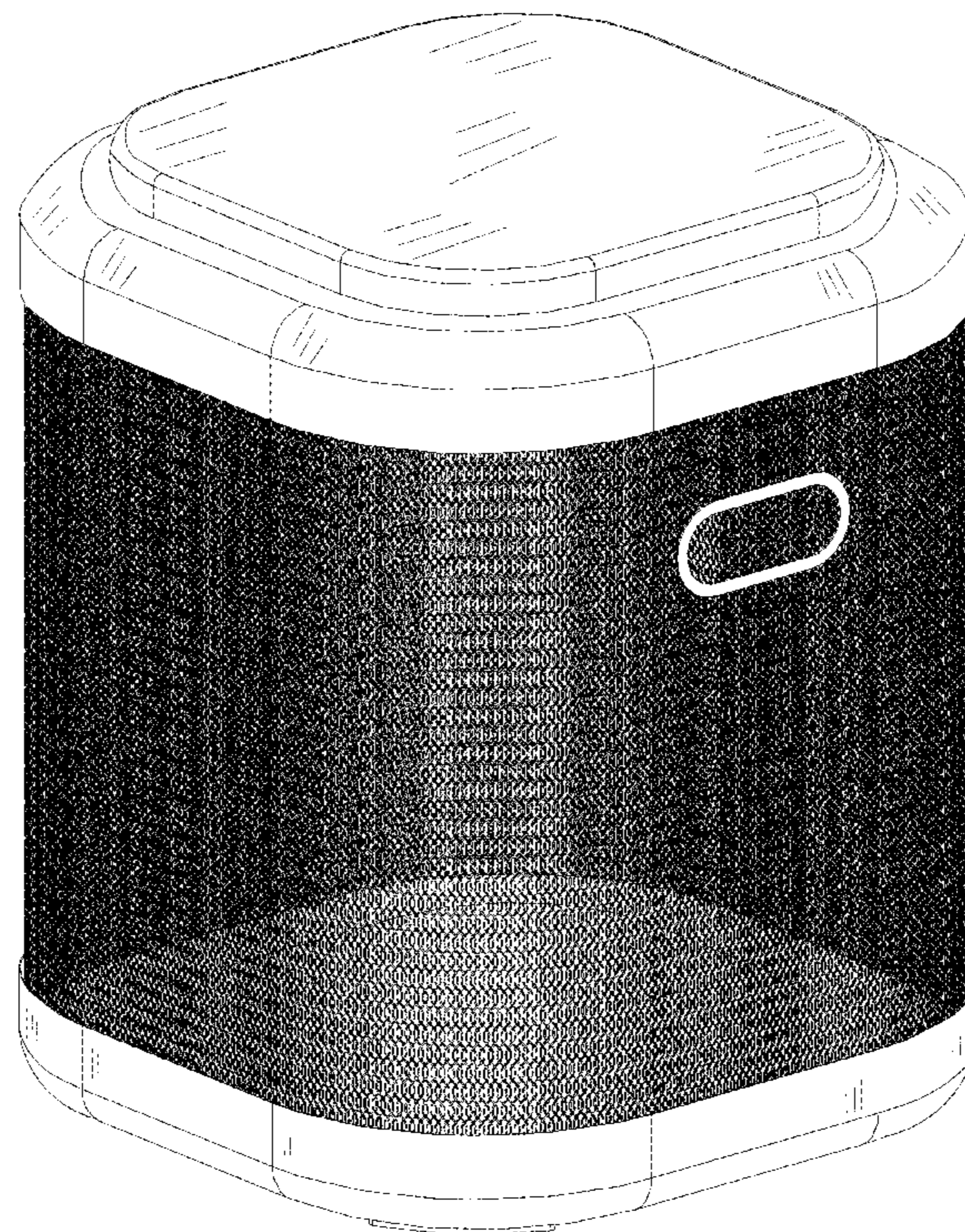
(57) **CLAIM**

The ornamental design for a storage stool, as shown.

**DESCRIPTION**

FIG. 1 is a front elevational view of a storage stool showing my new design;  
 FIG. 2 is a rear elevational view thereof;  
 FIG. 3 is a left side view thereof;  
 FIG. 4 is a right side view thereof;  
 FIG. 5 is a top plan view thereof;  
 FIG. 6 is a bottom plan view thereof;  
 FIG. 7 is a perspective view thereof; and,  
 FIG. 8 is another perspective view thereof.

**1 Claim, 8 Drawing Sheets**





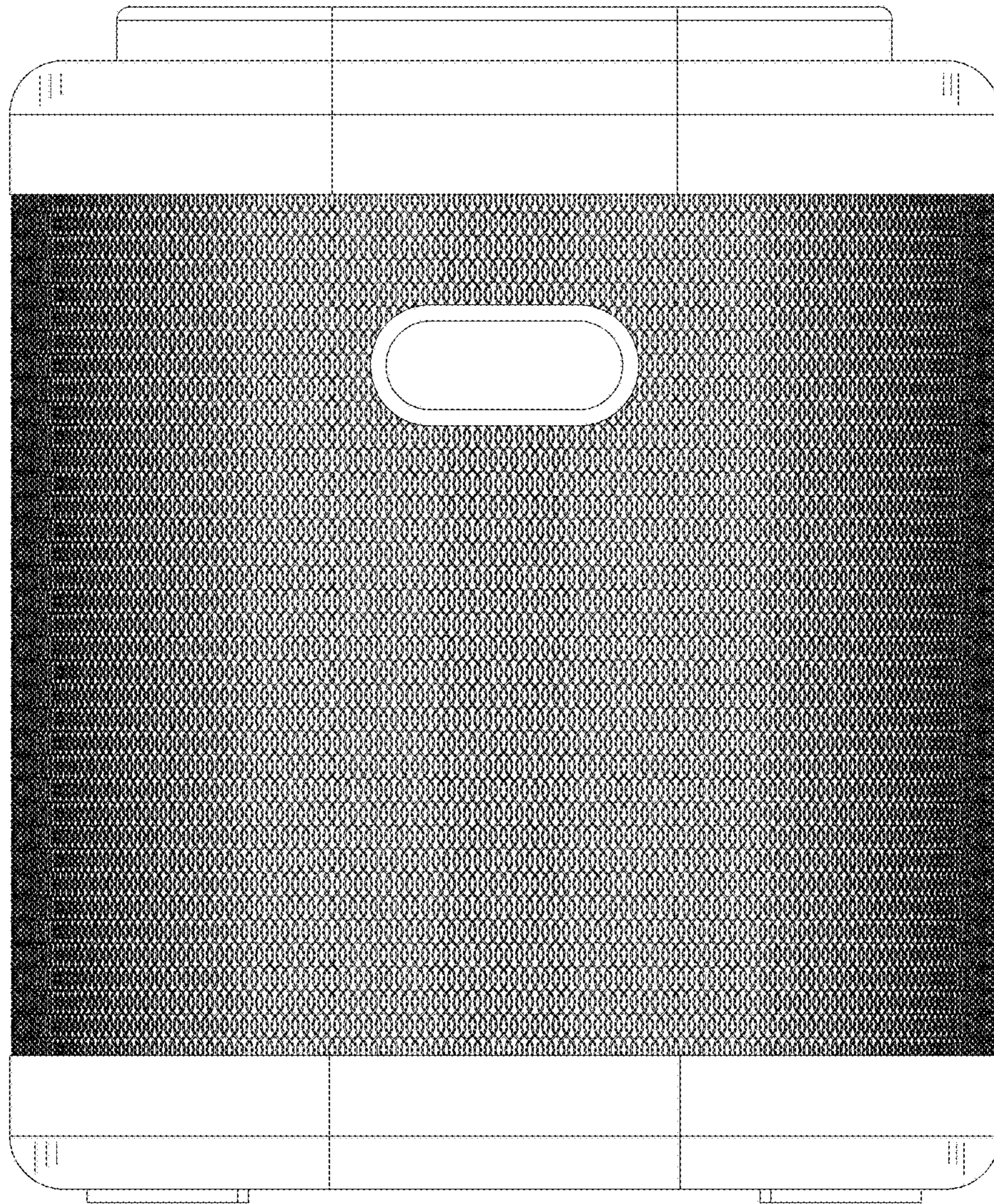


Fig. 1



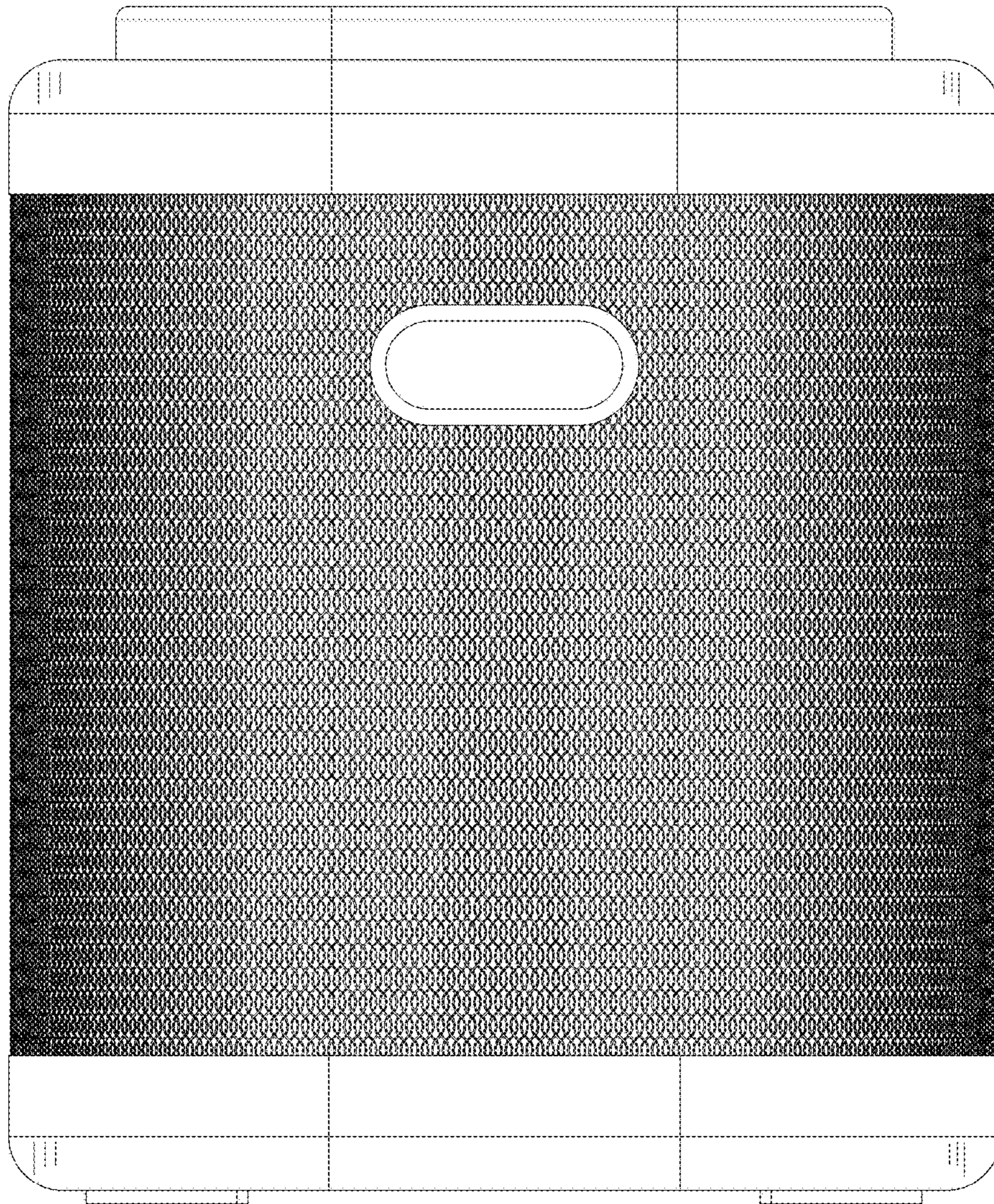


Fig. 2



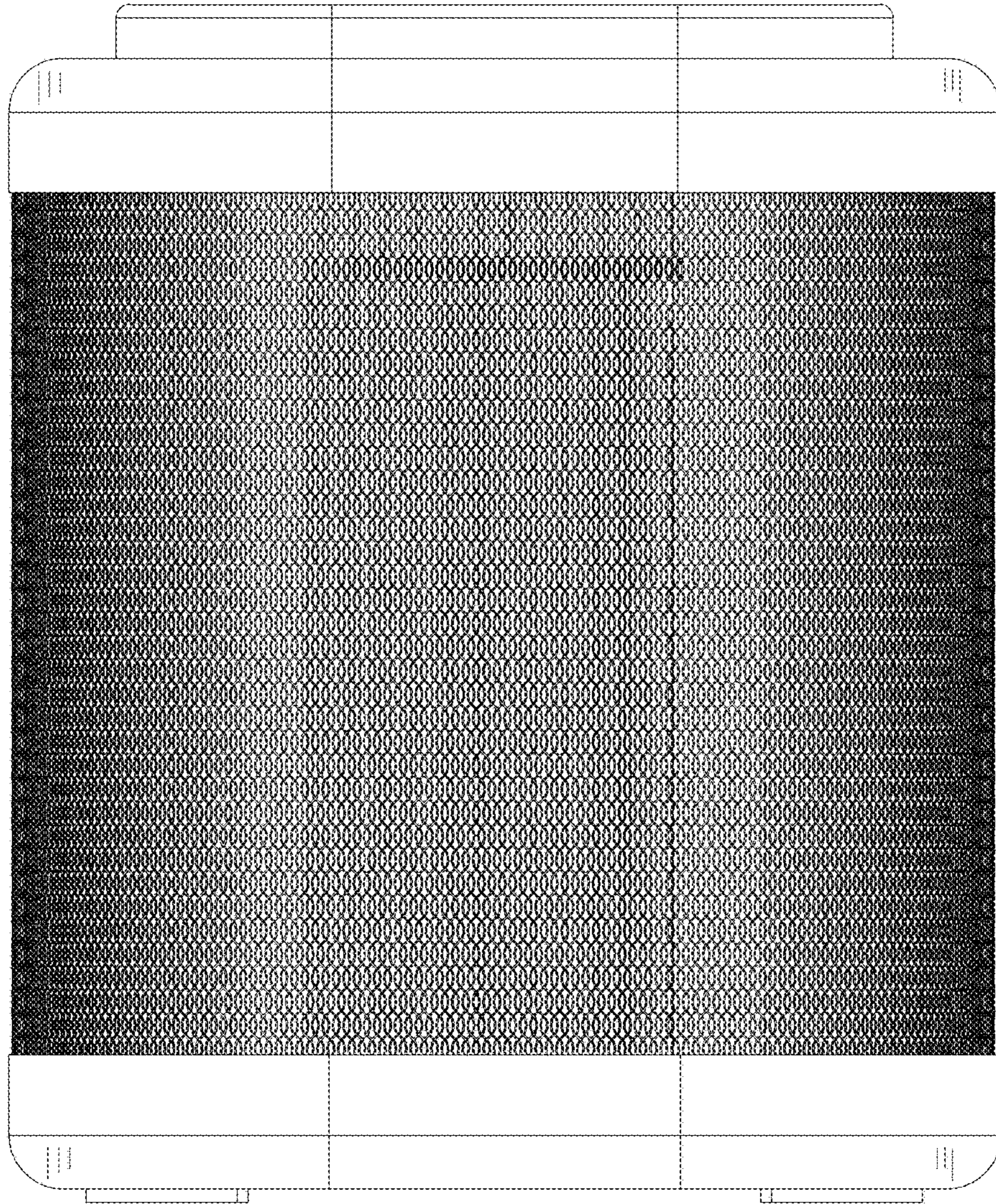


Fig. 3



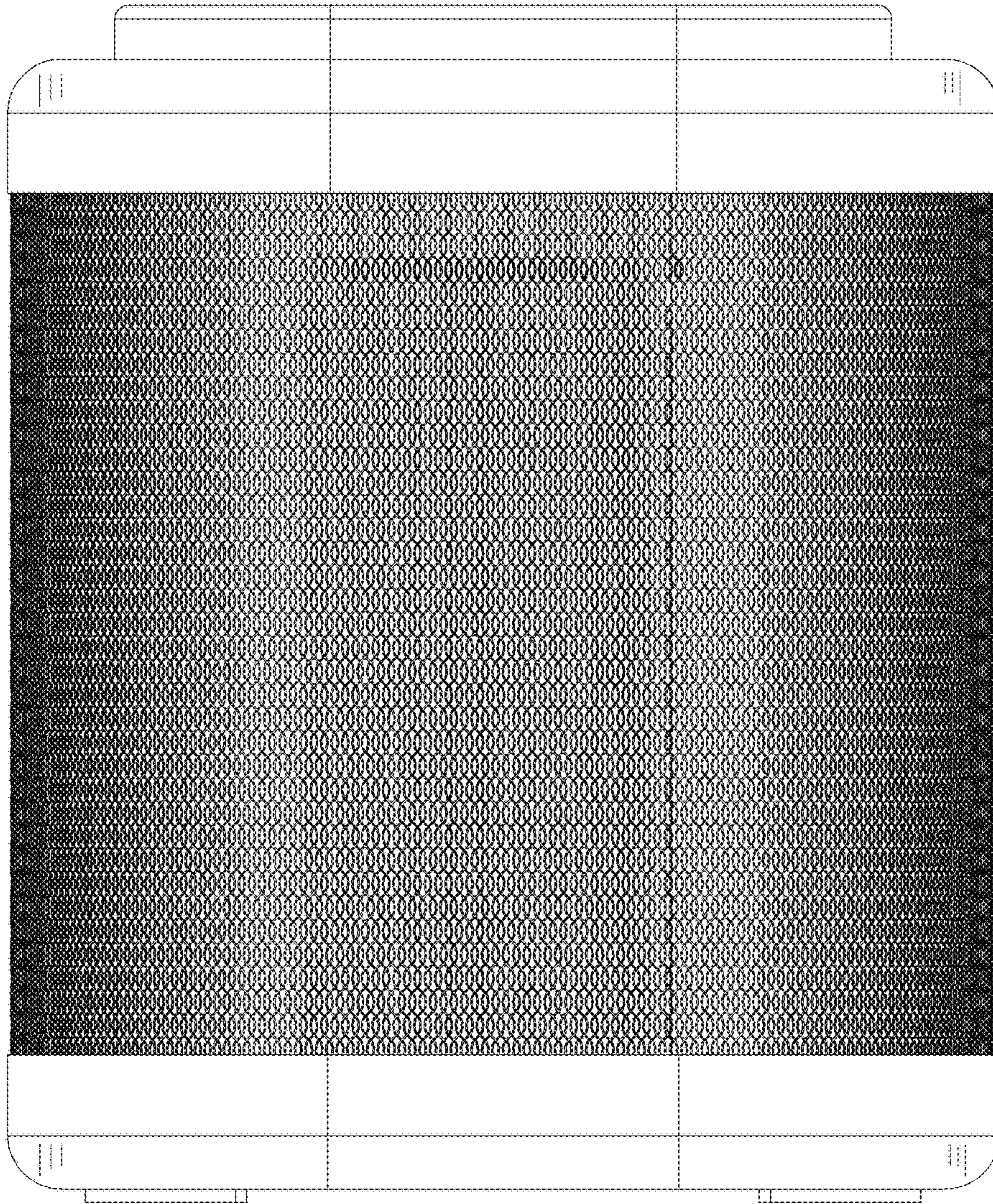


Fig. 4



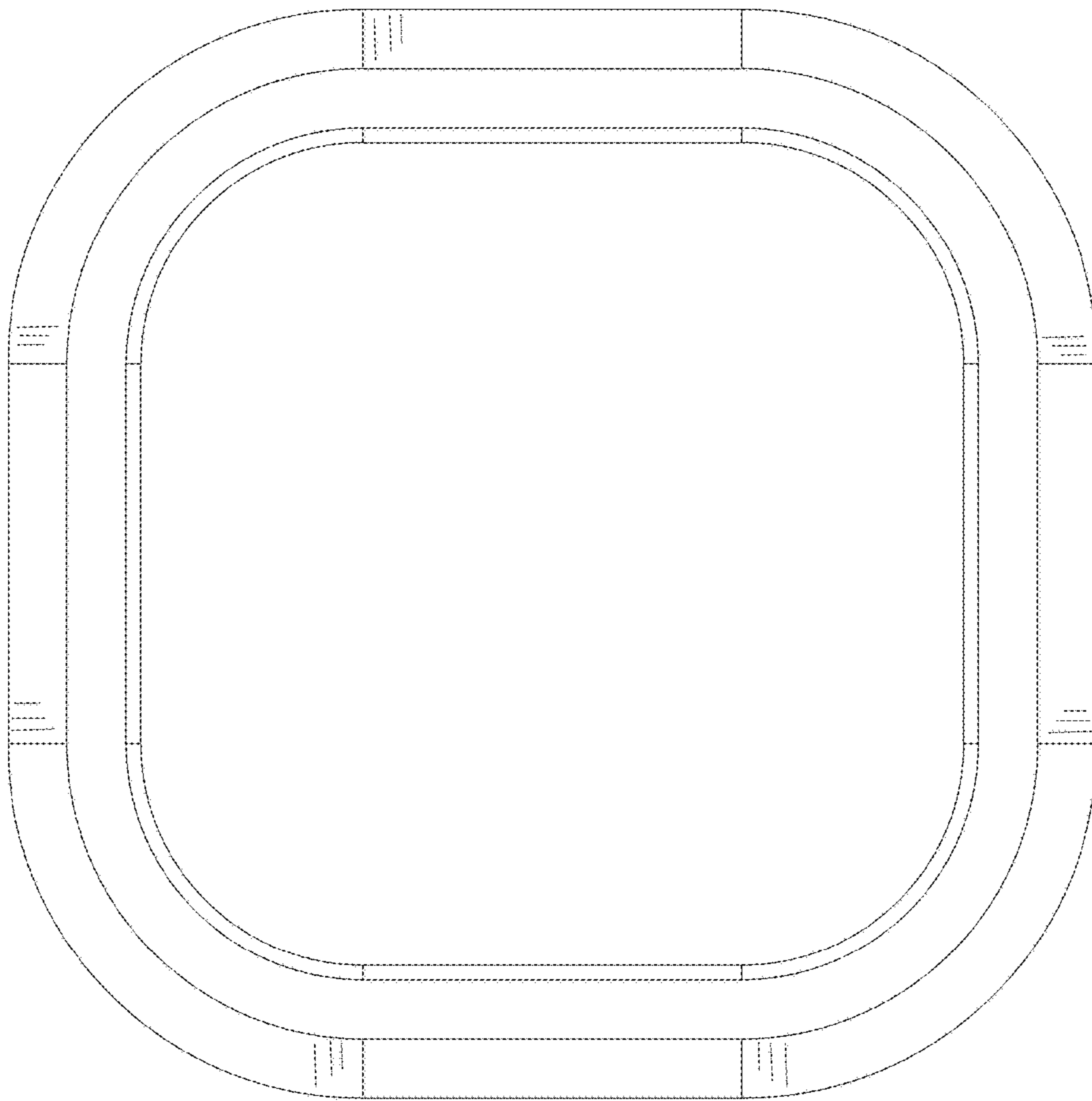


Fig. 5

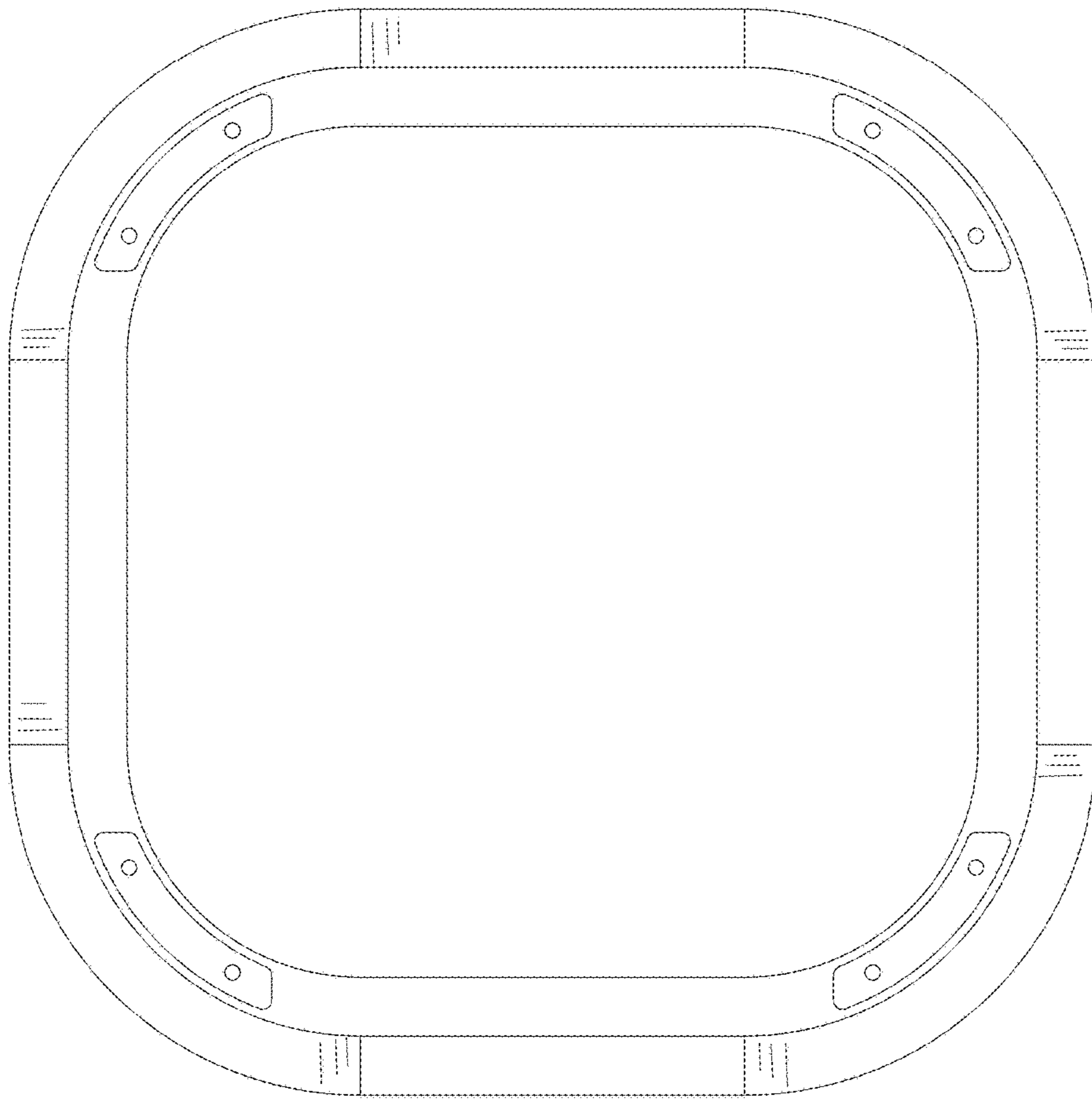


Fig. 6



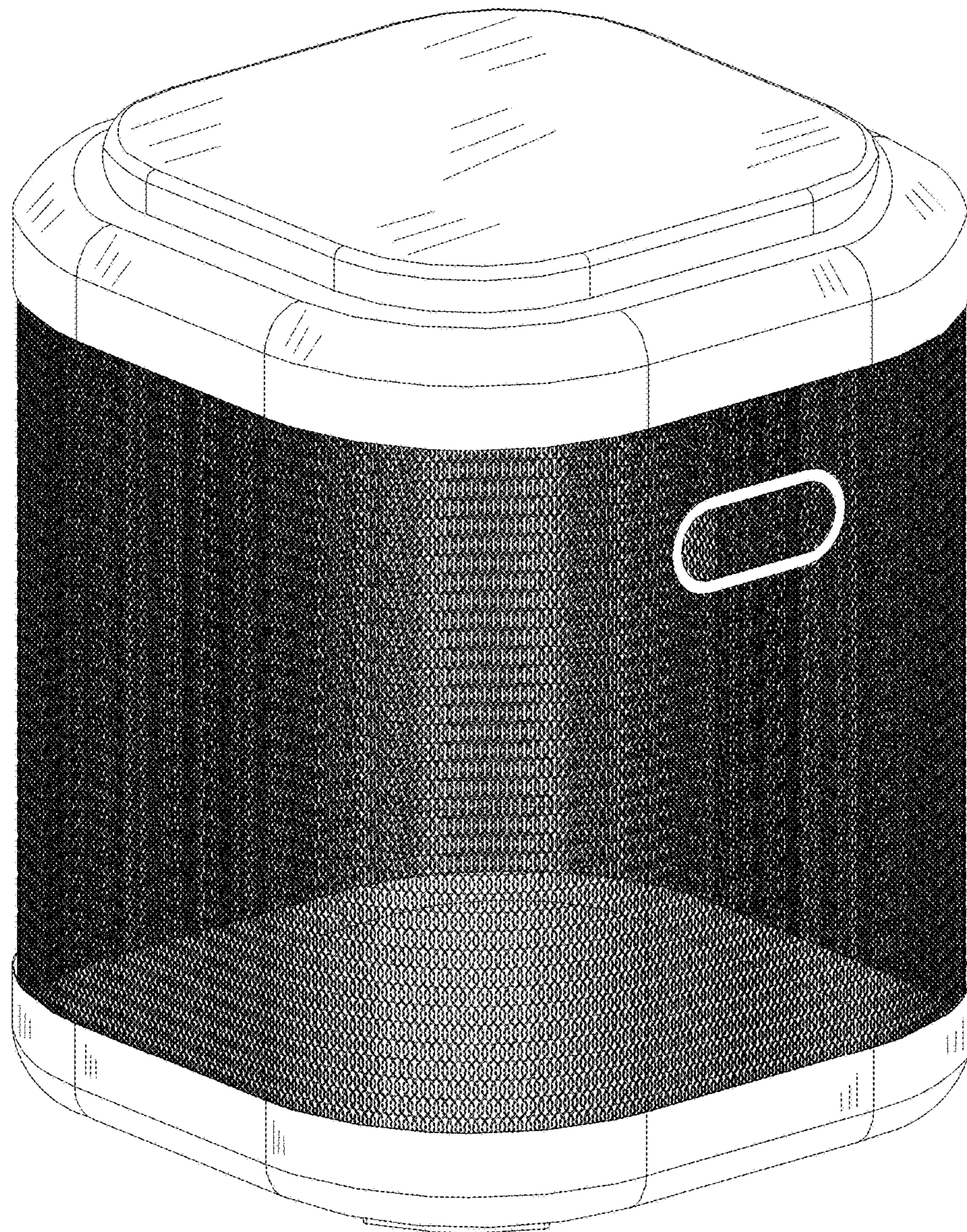


Fig. 7



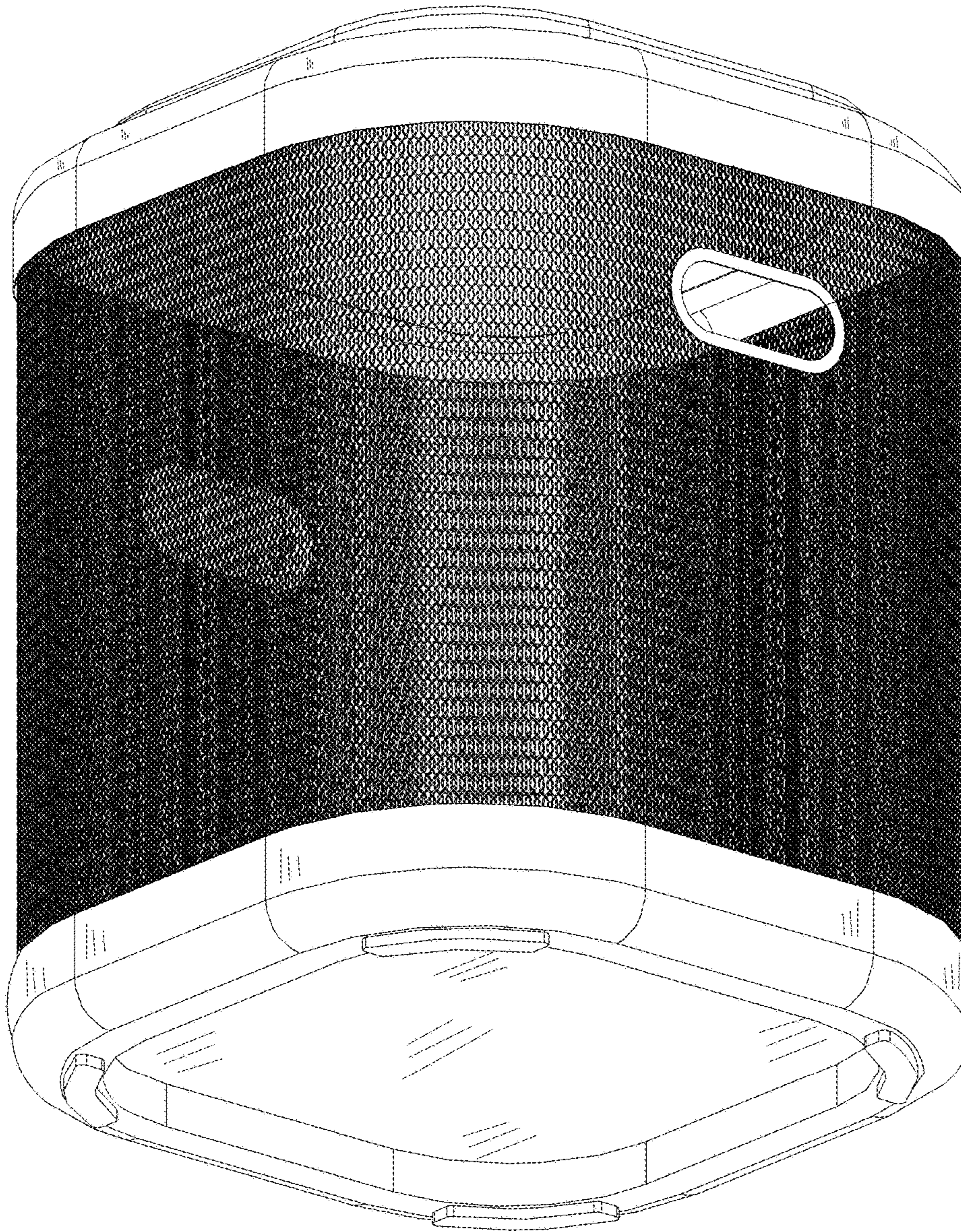


Fig. 8