

US00D862913S

(12) **United States Design Patent** (10) **Patent No.:** **US D862,913 S**
Jin (45) **Date of Patent:** **** Oct. 15, 2019**

- (54) **PLAYPEN WITH CANOPY** 6,467,107 B1 * 10/2002 Glover A47C 7/66
135/125
- (71) Applicant: **Yiwu Sanhe Outdoor Product Co., Ltd., Yiwu (CN)** 7,040,585 B2 * 5/2006 Cheng A47D 13/06
135/125
- (72) Inventor: **Xin Jin, Yiwu (CN)** 9,320,363 B1 * 4/2016 Beaver A47D 13/06
9,615,672 B2 * 4/2017 Weisbeck A47D 13/066
10,194,755 B1 * 2/2019 Flannery A47D 13/063
- (73) Assignee: **Yiwu Sanhe Outdoor Product Co. Ltd., Yiwu (CN)** (Continued)

- (**) Term: **15 Years**
- (21) Appl. No.: **29/630,428**
- (22) Filed: **Dec. 21, 2017**

- (30) **Foreign Application Priority Data**
Oct. 19, 2017 (CN) 2017 3 0510738
- (51) **LOC (12) Cl.** **06-06**
- (52) **U.S. Cl.**
USPC **D6/331**
- (58) **Field of Classification Search**
USPC D6/331, 333, 339, 340, 341, 342, 344,
D6/345, 347, 348, 715; D12/400, 401,
D12/403, 404; D21/412, 419, 420, 831,
D21/834, 836, 837, 838, 839; D25/13,
D25/15, 17, 18, 19, 33, 56
CPC A47D 1/004; A47D 1/008; A47D 1/0081;
A47D 1/04; A47D 1/06; A47D 1/08;
A47D 1/10; A47D 13/102; A47D 13/105;
A47D 13/107; A47D 3/001; A47D
11/007; A47D 13/06; A47D 13/061;
A47D 13/063; A47D 13/065
See application file for complete search history.

- (56) **References Cited**
U.S. PATENT DOCUMENTS
4,645,183 A * 2/1987 Rattray A47D 13/063
256/25
4,739,527 A * 4/1988 Kohus A47D 13/066
5/99.1

OTHER PUBLICATIONS

The California Beach Co., posted at Facebook.com, posted on Jan. 18, 2018, site visited Apr. 9, 2019. online, available from internet: <https://www.facebook.com/thecaliforniabeachco/photos/a.1520366511414362/1520366474747699/?type=3&theater> (Year: 2018).*

Primary Examiner — Mary Ann Calabrese
Assistant Examiner — Catherine Ho
(74) *Attorney, Agent, or Firm* — Gokalp Bayramoglu

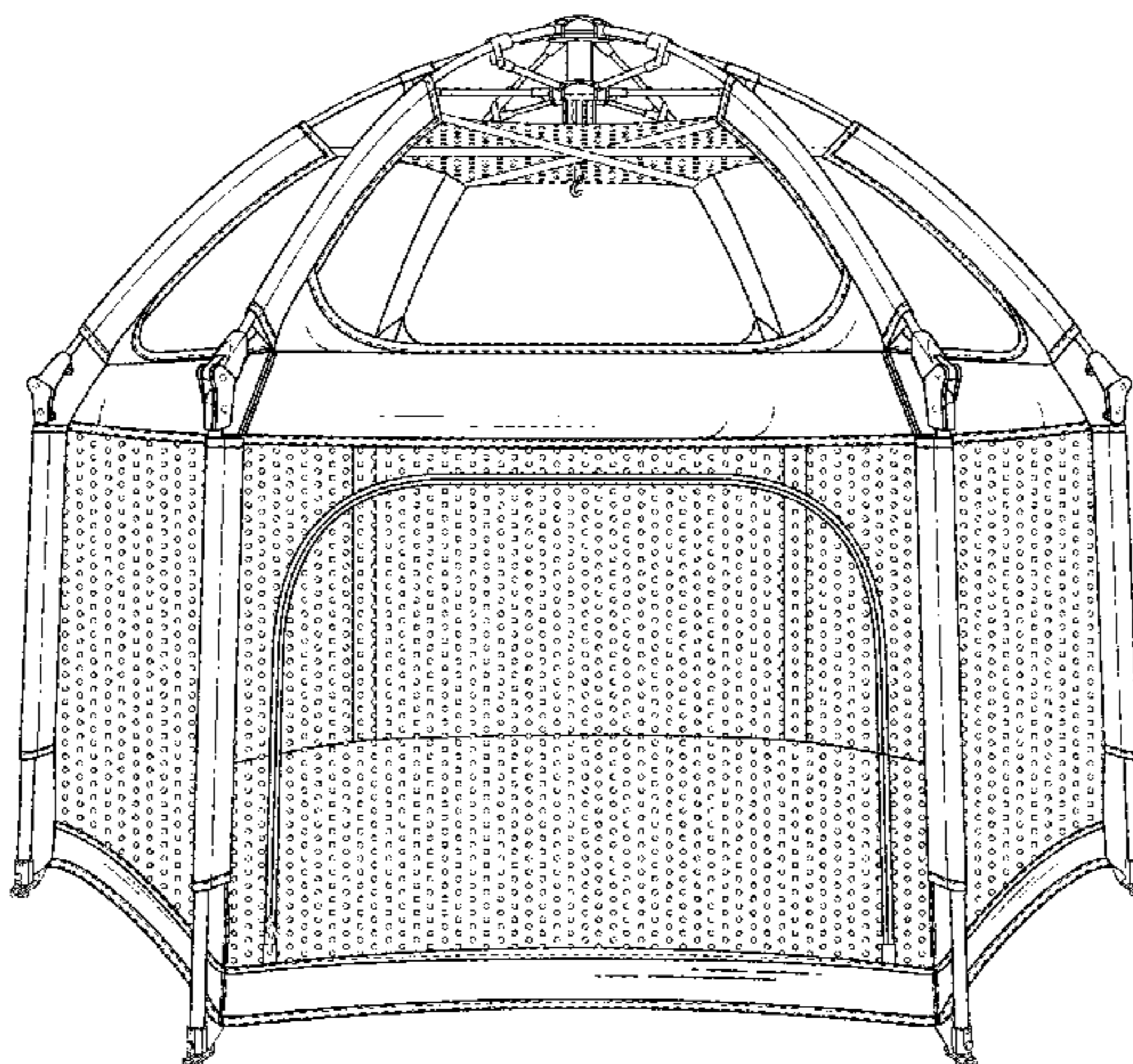
(57) **CLAIM**

The ornamental design for a playpen with canopy, as shown and described.

DESCRIPTION

FIG. 1 is a front view of a playpen with canopy, showing my new design;
FIG. 2 is a back view thereof;
FIG. 3 is a left view thereof;
FIG. 4 is a top view thereof;
FIG. 5 is a perspective view thereof;
FIG. 6 is an enlarged detailed view of the encircled area 6 in FIG. 5;
FIG. 7 is an enlarged detailed view of the encircled area 7 in FIG. 5; and,
FIG. 8 is an enlarged detailed view of the encircled area 8 in FIG. 5.
The broken line portion of the figure drawings is included to environment that forms no part of the claimed design.

1 Claim, 5 Drawing Sheets



(56)

References Cited

U.S. PATENT DOCUMENTS

2003/0177576 A1* 9/2003 LaMantia A47C 29/003
5/97
2005/0166316 A1* 8/2005 Gehr A47D 13/063
5/99.1
2006/0236952 A1* 10/2006 King A01K 1/03
119/499
2014/0061563 A1* 3/2014 Weisbeck A47D 13/066
256/25

* cited by examiner

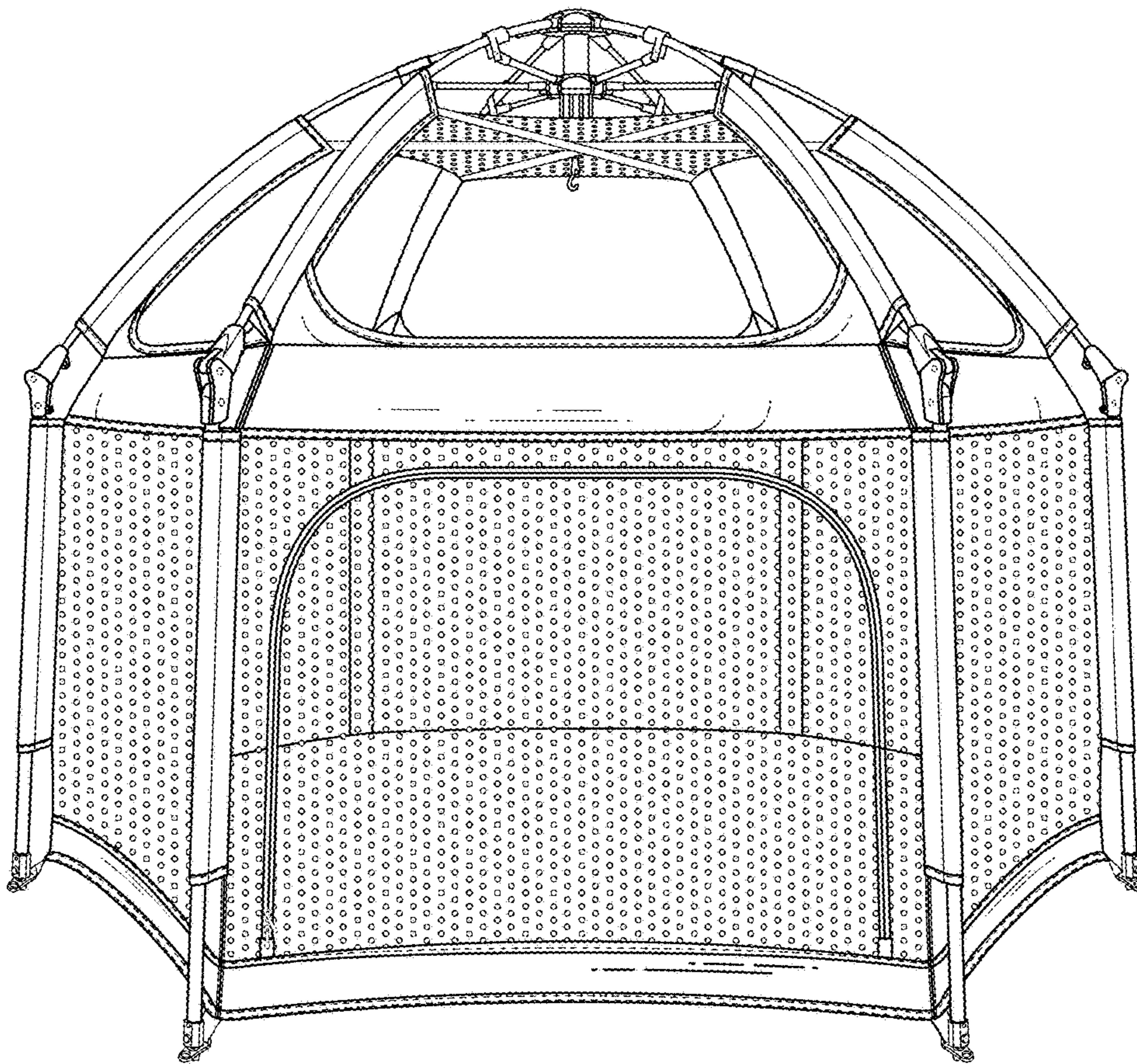


FIG. 1

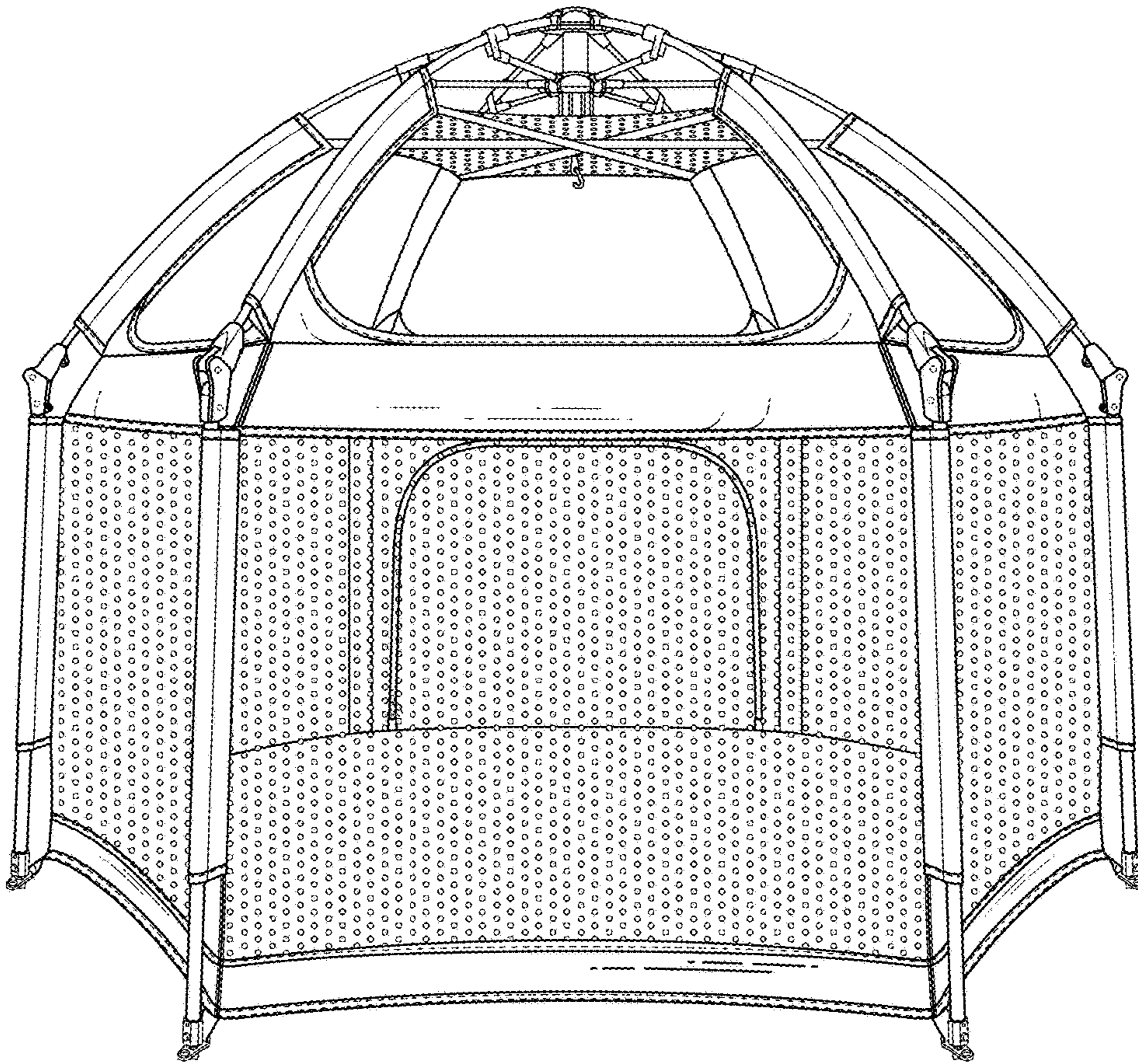


FIG. 2

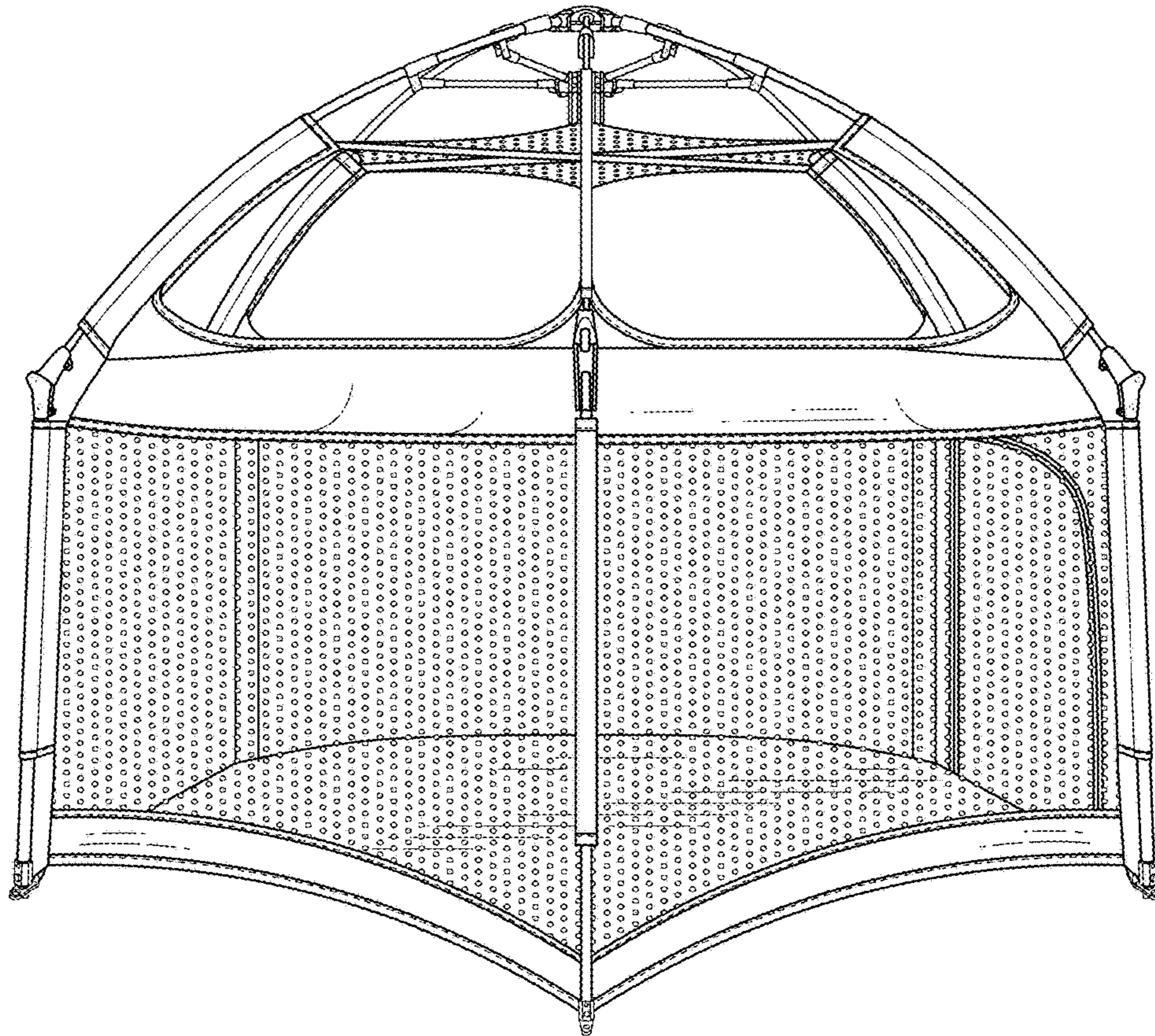


FIG. 3

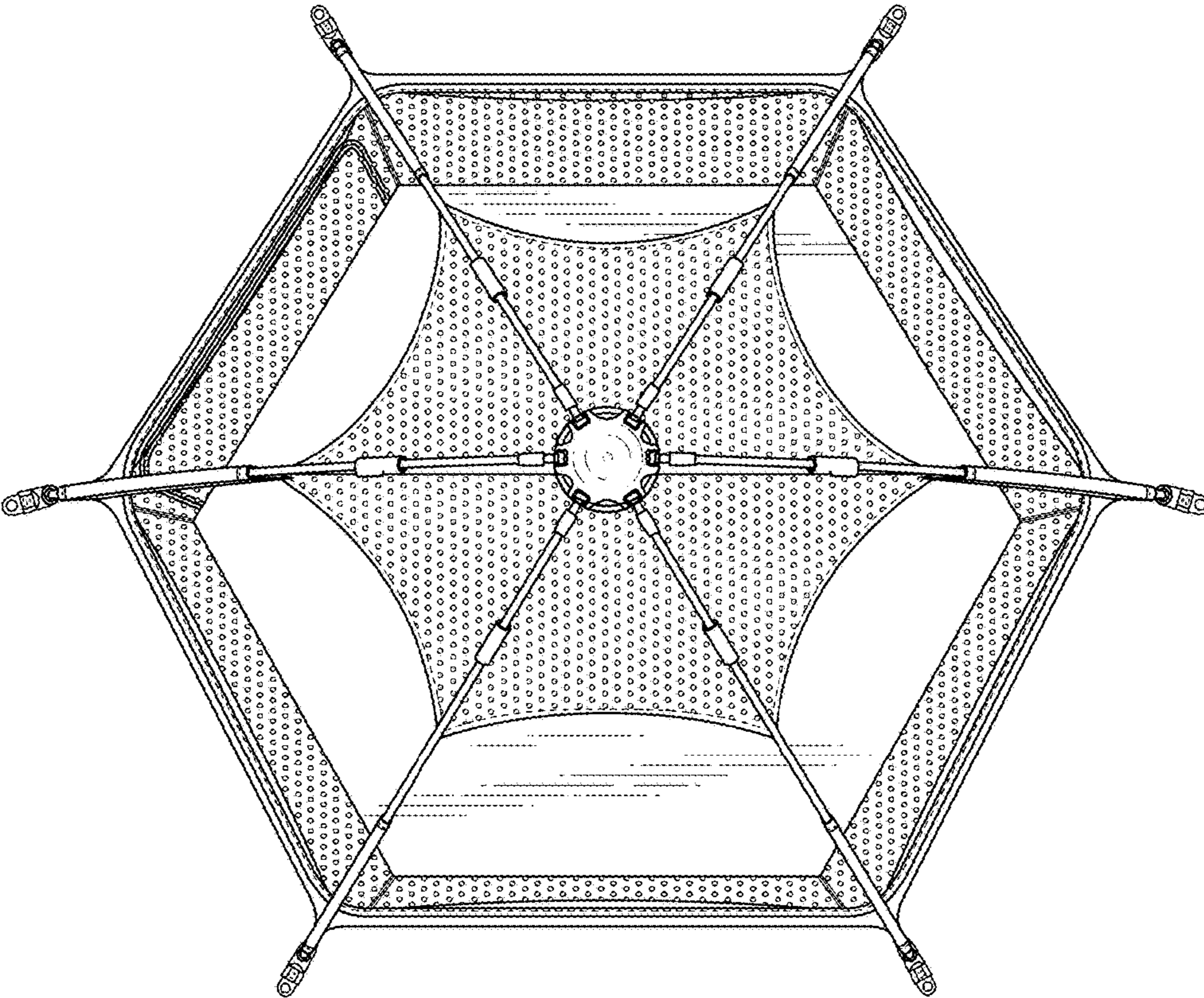


FIG. 4

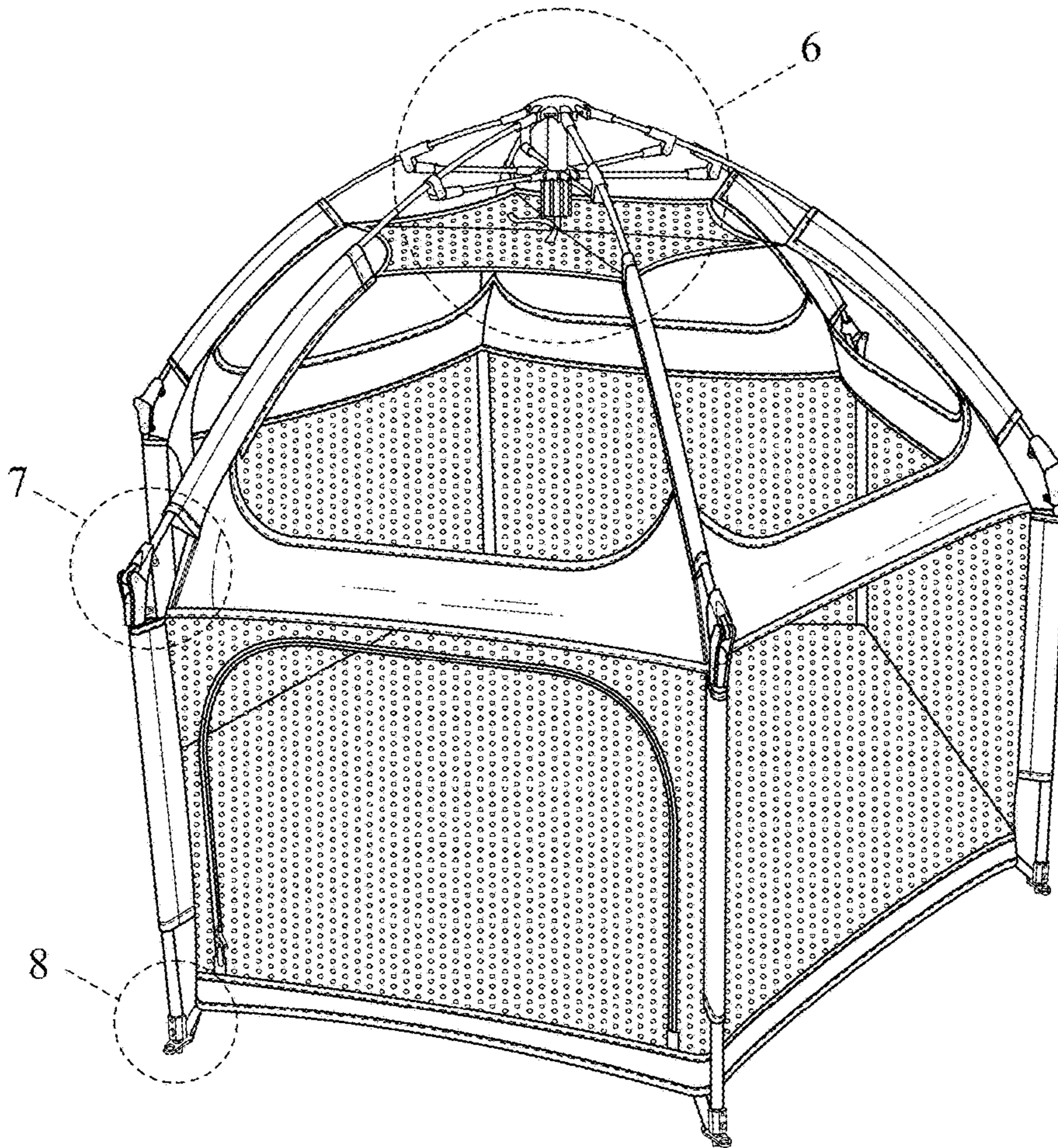


FIG. 5

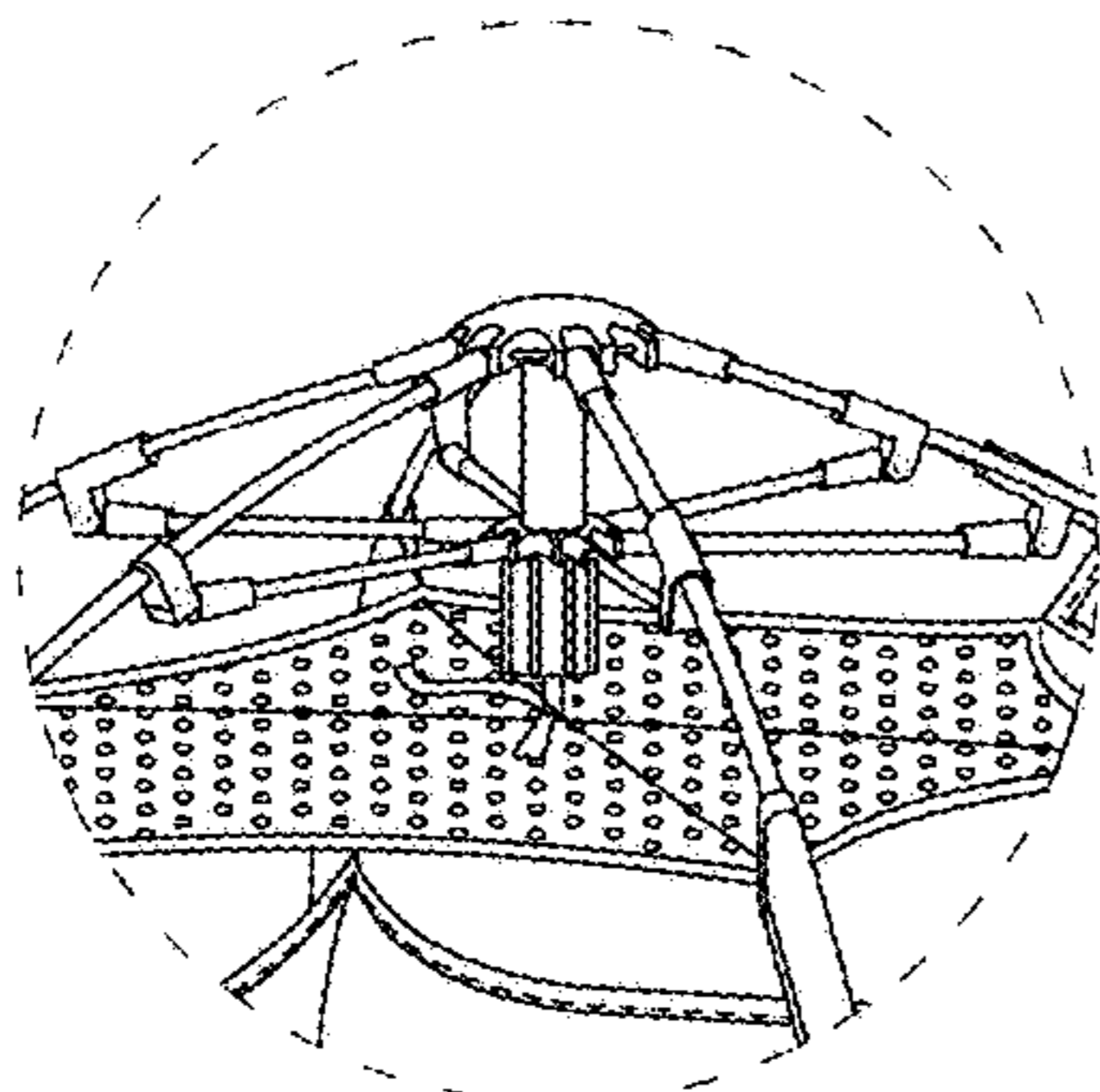


FIG. 6

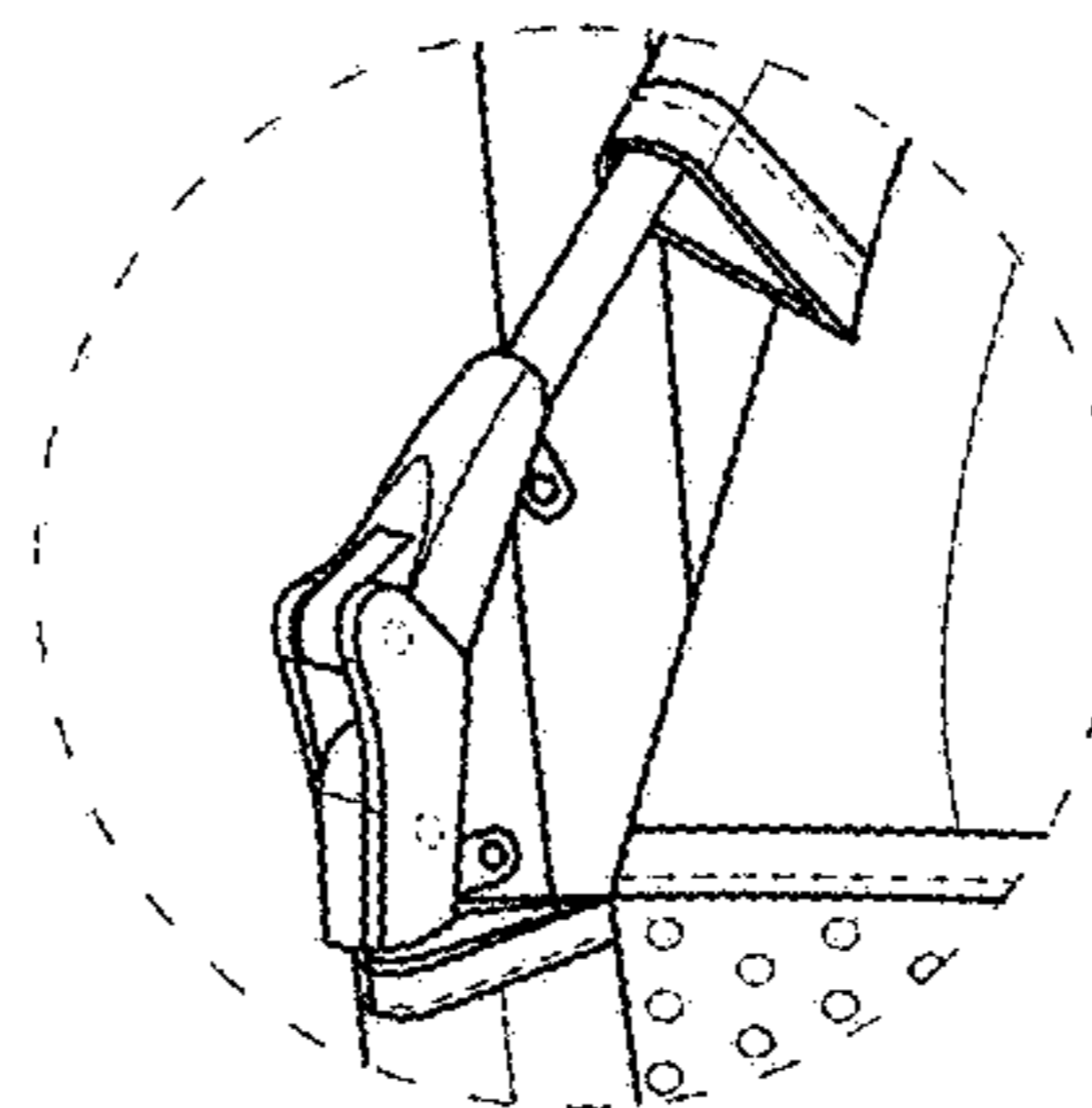


FIG. 7

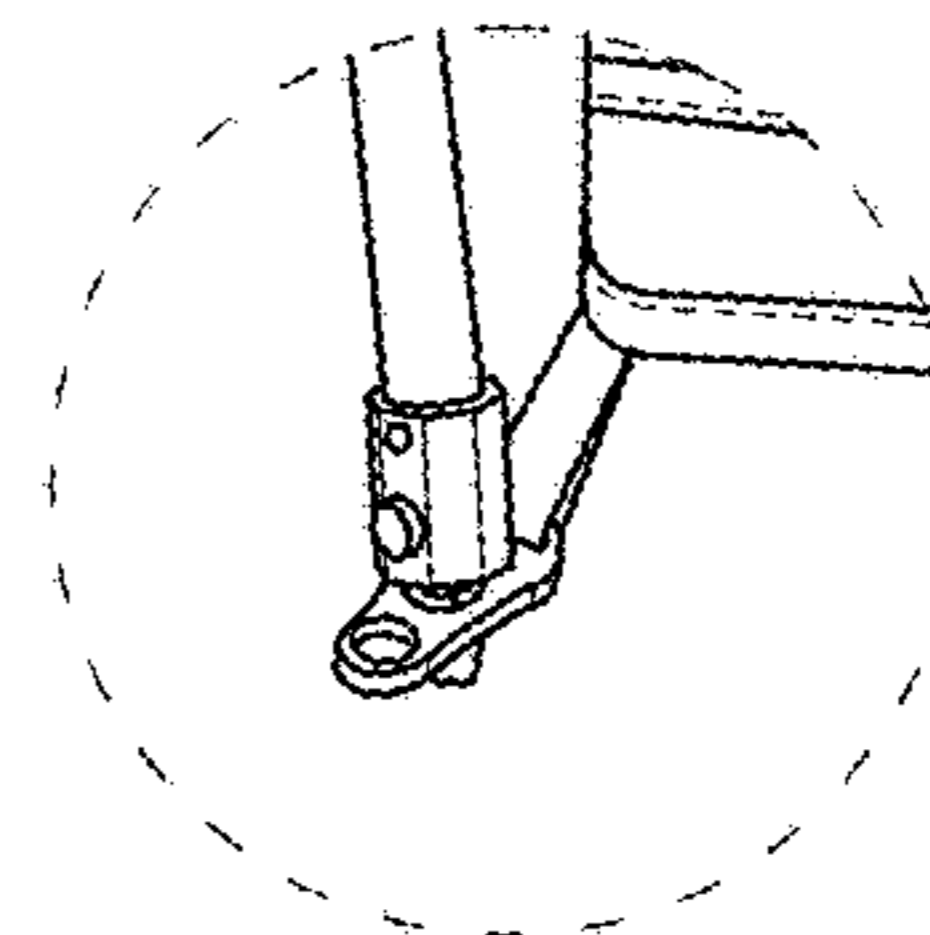


FIG. 8