

US00D862909S

(12) **United States Design Patent** (10) **Patent No.:** **US D862,909 S**
Zhou (45) **Date of Patent:** **** Oct. 15, 2019**

(54) **DIGITAL PHOTO FRAME**

(71) Applicant: **Shenzhen Harmony Industrial Co., Ltd.**, Shenzhen (CN)

(72) Inventor: **Sheng Zhou**, Chongqing (CN)

(**) Term: **15 Years**

(21) Appl. No.: **29/696,857**

(22) Filed: **Jul. 2, 2019**

(51) **LOC (12) Cl.** **06-06**

(52) **U.S. Cl.**
USPC **D6/308**; D14/371

(58) **Field of Classification Search**
USPC D6/300-314; D10/3; D14/371, 375
CPC G09G 2380/16
See application file for complete search history.

(56) **References Cited**

U.S. PATENT DOCUMENTS

D455,565 S *	4/2002	Pozzoli	D6/310
D572,023 S *	7/2008	Park	D14/371
D597,974 S *	8/2009	Iseki	D14/126
D599,566 S	9/2009	Chu		
D600,456 S	9/2009	Son		
D601,143 S *	9/2009	Oikawa	D14/336
D610,355 S *	2/2010	Chigira	D14/374
D610,356 S *	2/2010	Hoehn	D6/310
D613,952 S *	4/2010	Yang	D14/371
D615,306 S *	5/2010	Ji	D14/371
D615,542 S *	5/2010	Oikawa	D14/336
D618,463 S *	6/2010	Nagase	D6/300
D622,514 S	8/2010	Park et al.		
D625,929 S *	10/2010	Mitchell	D14/371
D629,216 S *	12/2010	Stoddard	D6/308
D634,131 S *	3/2011	Utsunomiya	D6/308

D636,188 S *	4/2011	Kim	D6/308
D636,610 S *	4/2011	Caubel	D6/300
D637,822 S	5/2011	Utsunomiya		
D642,385 S *	8/2011	Lee	D6/308
RE43,634 E *	9/2012	Mischel, Jr.	D14/371
D729,793 S *	5/2015	Hickok	D14/126
D745,511 S *	12/2015	Lee	D14/336
D804,194 S *	12/2017	Thams	D6/300
D805,309 S *	12/2017	Moyer	D6/308
D811,752 S *	3/2018	Ross, III	D6/300
D818,723 S *	5/2018	Moyer	D6/308
D834,429 S *	11/2018	Jiang	D10/3

* cited by examiner

Primary Examiner — Deanna L Pratt

(74) *Attorney, Agent, or Firm* — Jie Yang; HYIP

(57) **CLAIM**

The ornamental design for a digital photo frame, as shown and described.

DESCRIPTION

FIG. 1 is a first perspective view of a digital photo frame showing my design;

FIG. 2 is a second perspective view thereof;

FIG. 3 is a front view thereof;

FIG. 4 is a back view thereof;

FIG. 5 is a left side view thereof;

FIG. 6 is a right side view thereof;

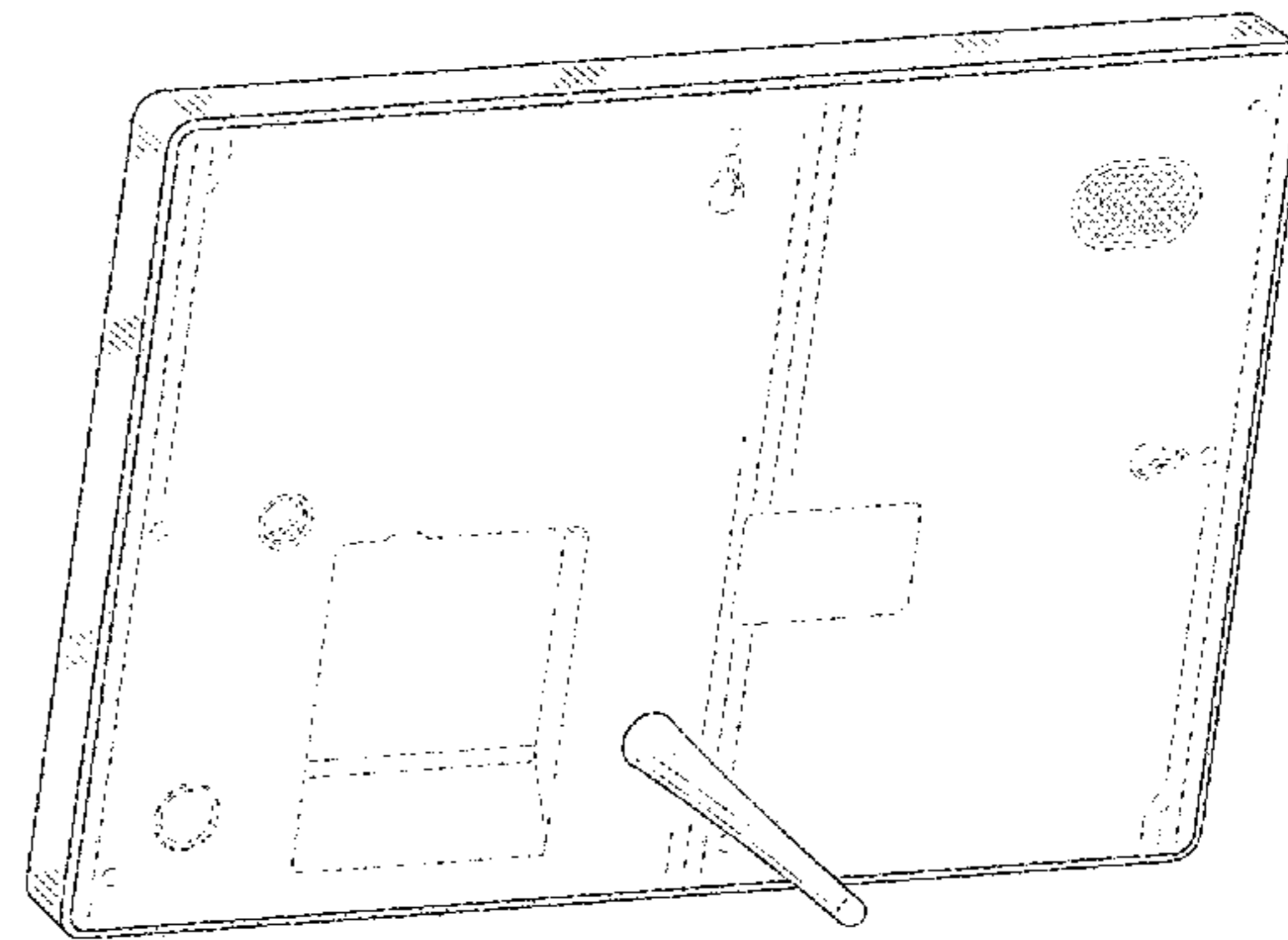
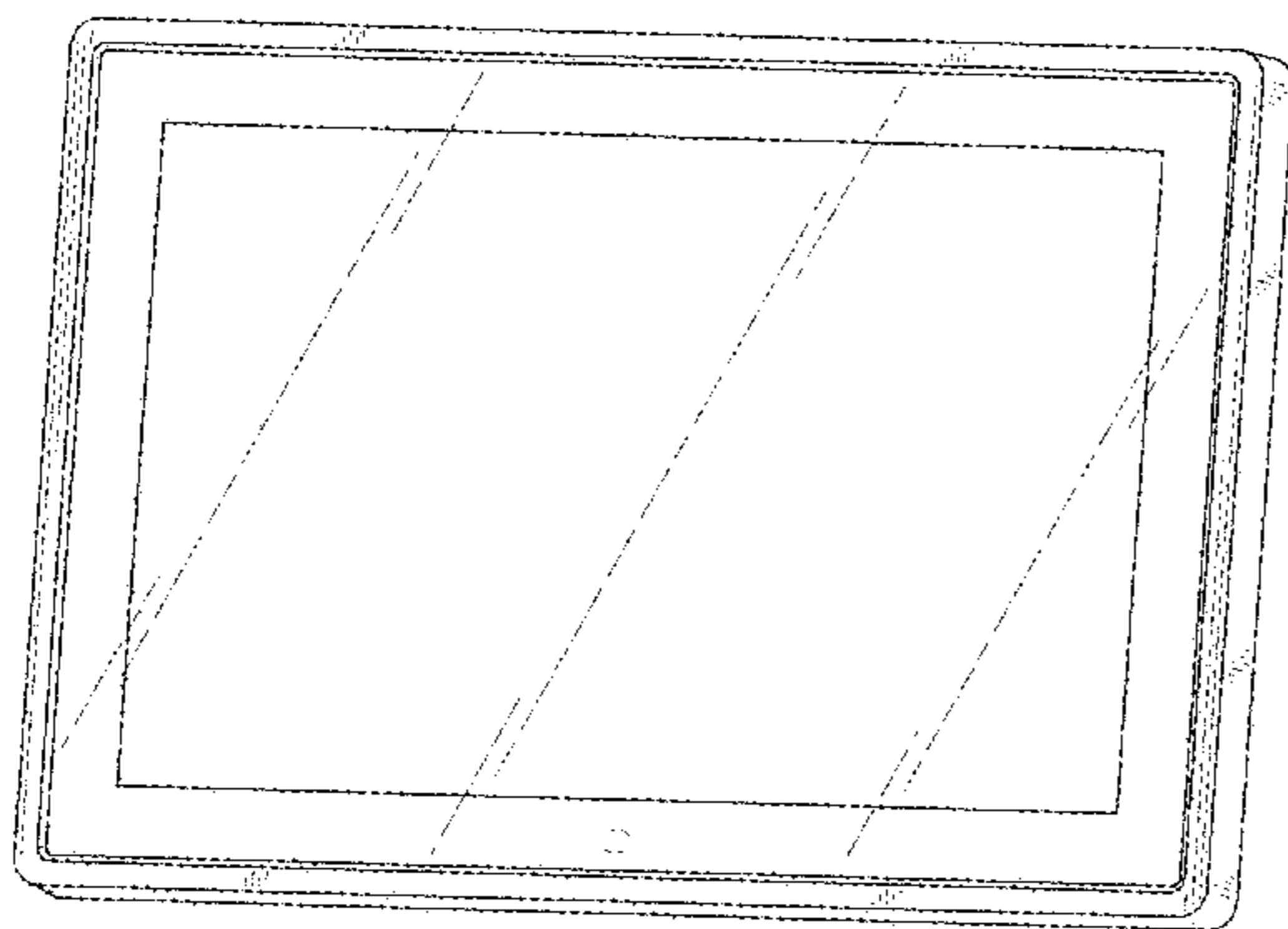
FIG. 7 is a top view thereof;

FIG. 8 is a bottom view thereof; and,

FIG. 9 is a perspective view of another state of the digital photo frame.

The broken lines shown in the drawings depict portions of the digital photo frame in which the design is embodied that form no part of the claimed design.

1 Claim, 9 Drawing Sheets



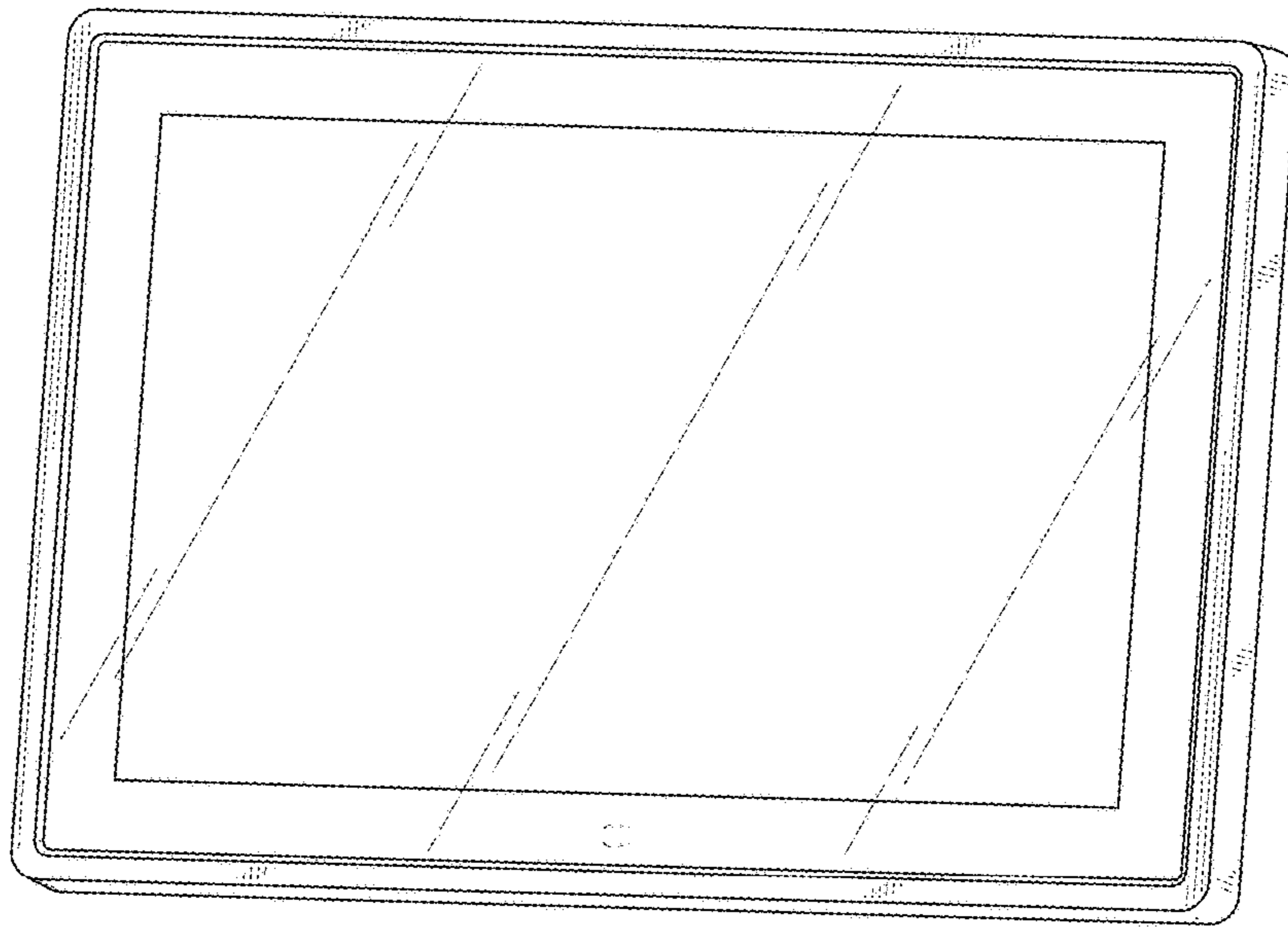


FIG. 1

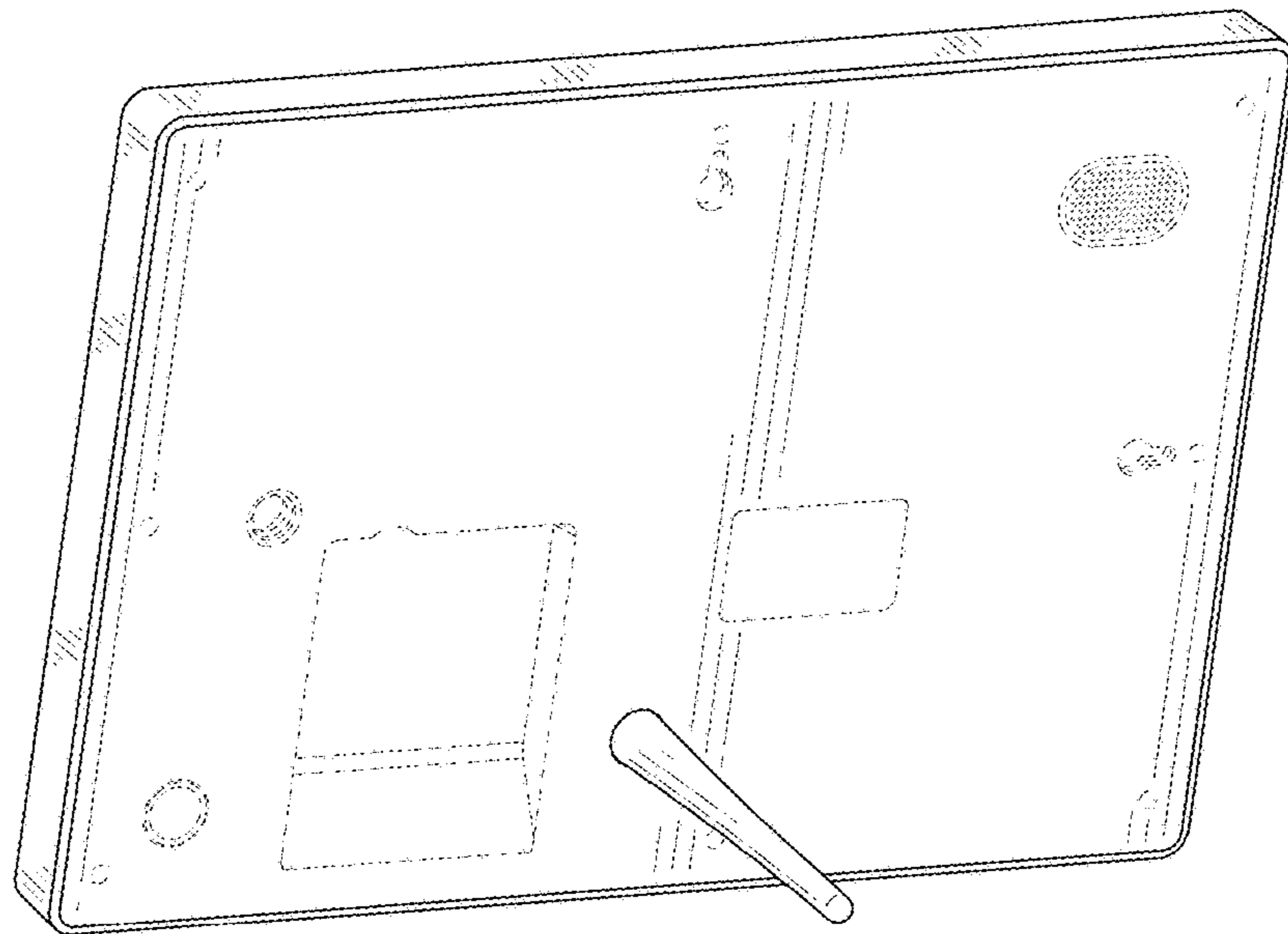


FIG. 2

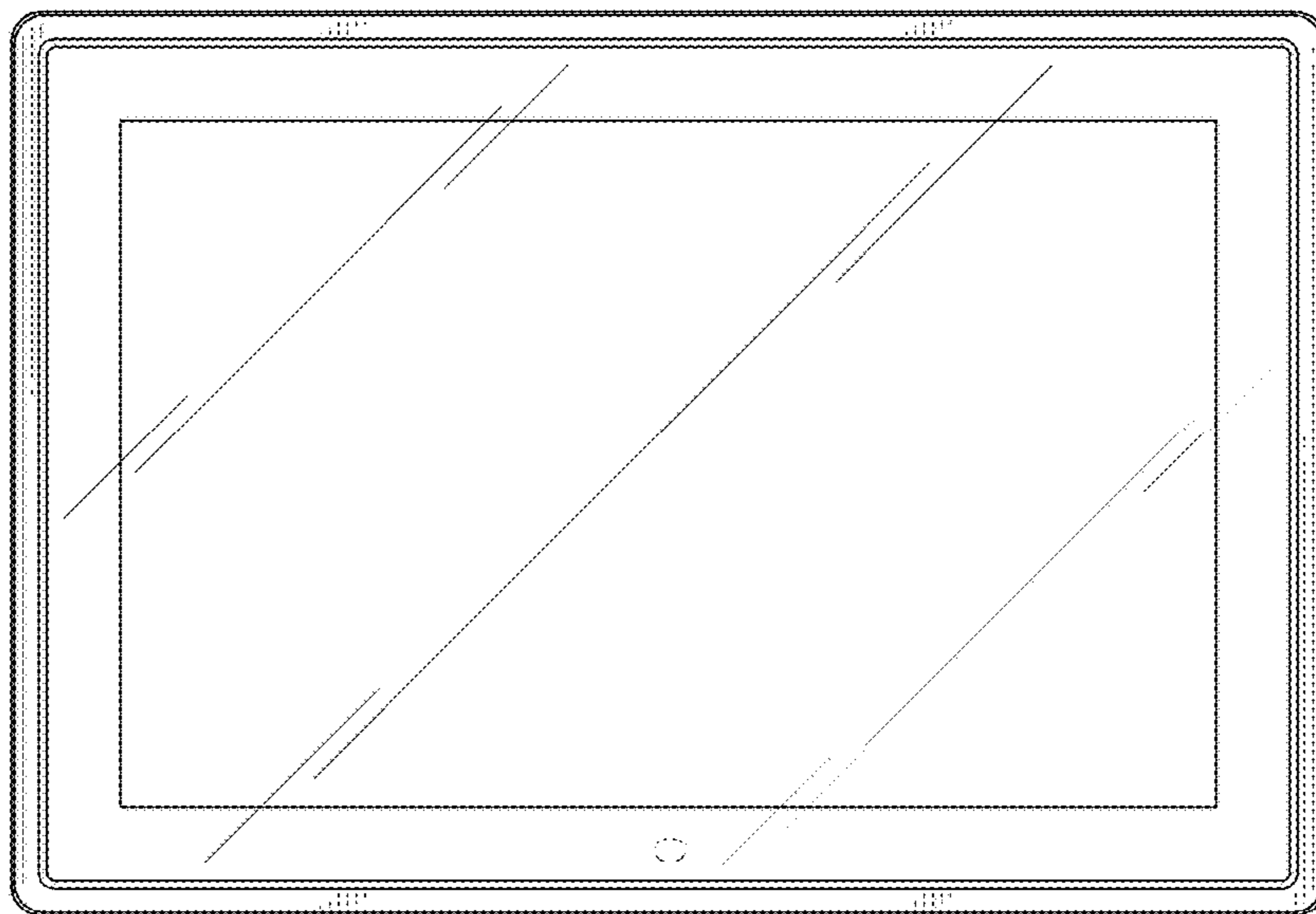


FIG. 3

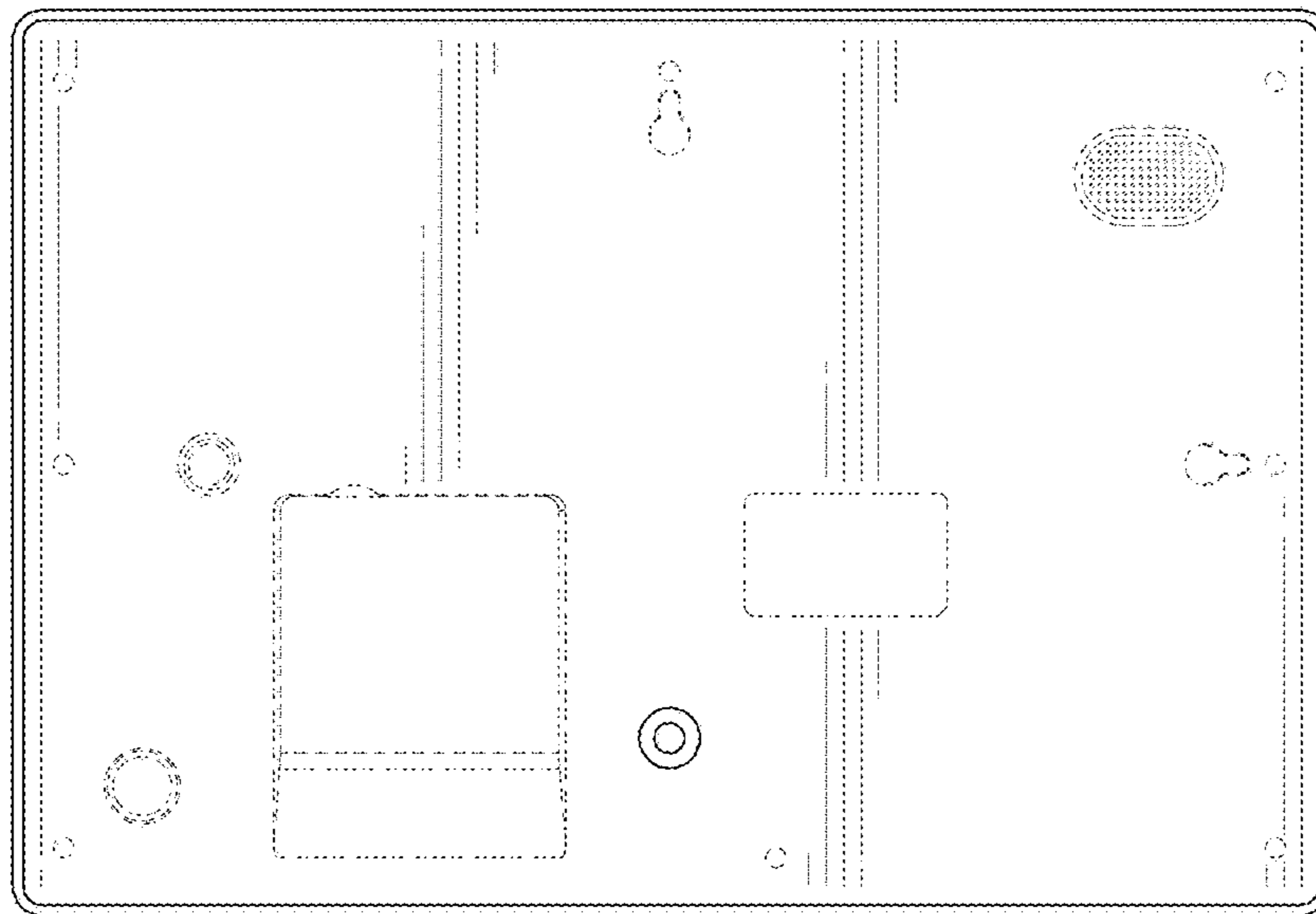


FIG. 4

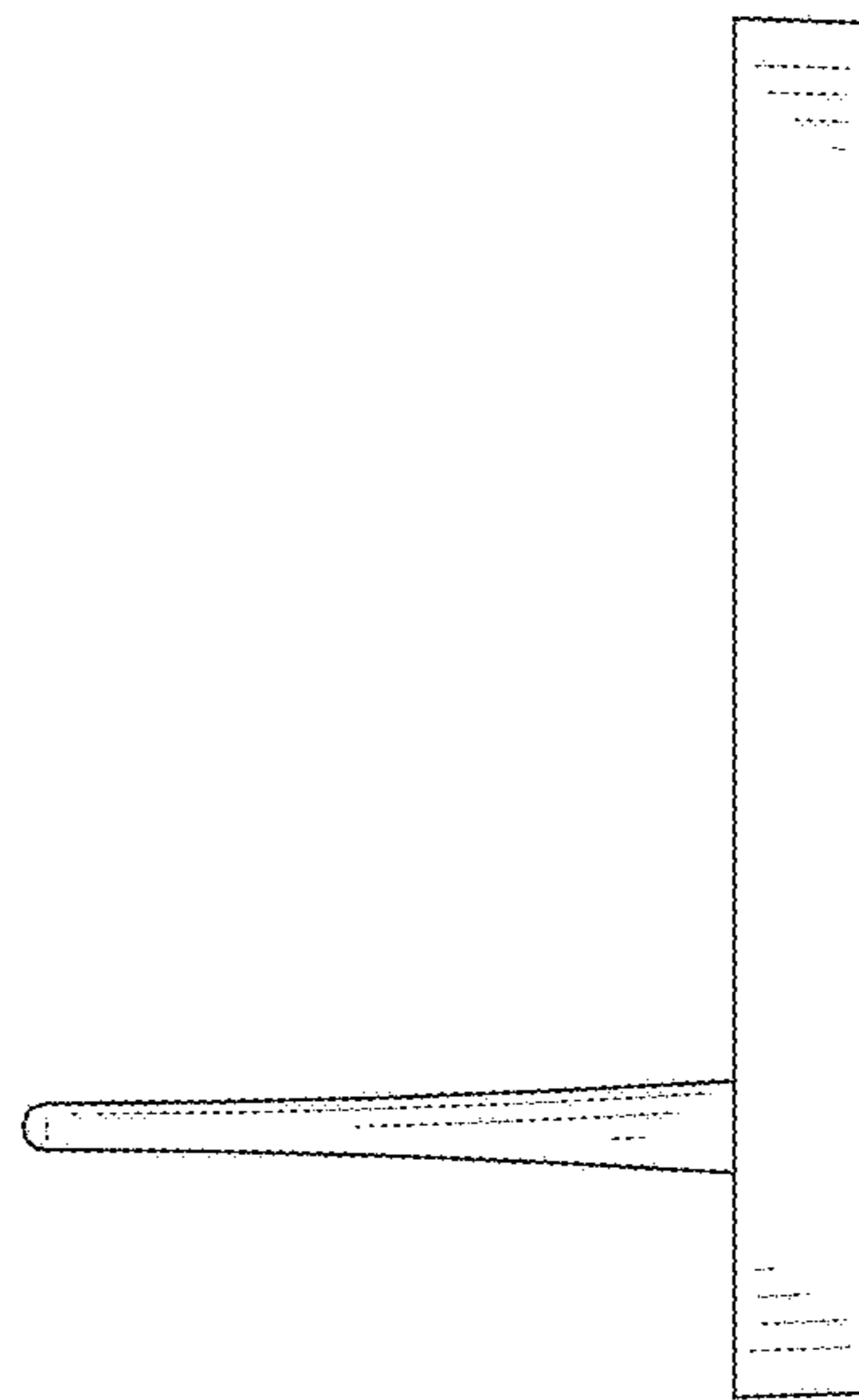


FIG. 5

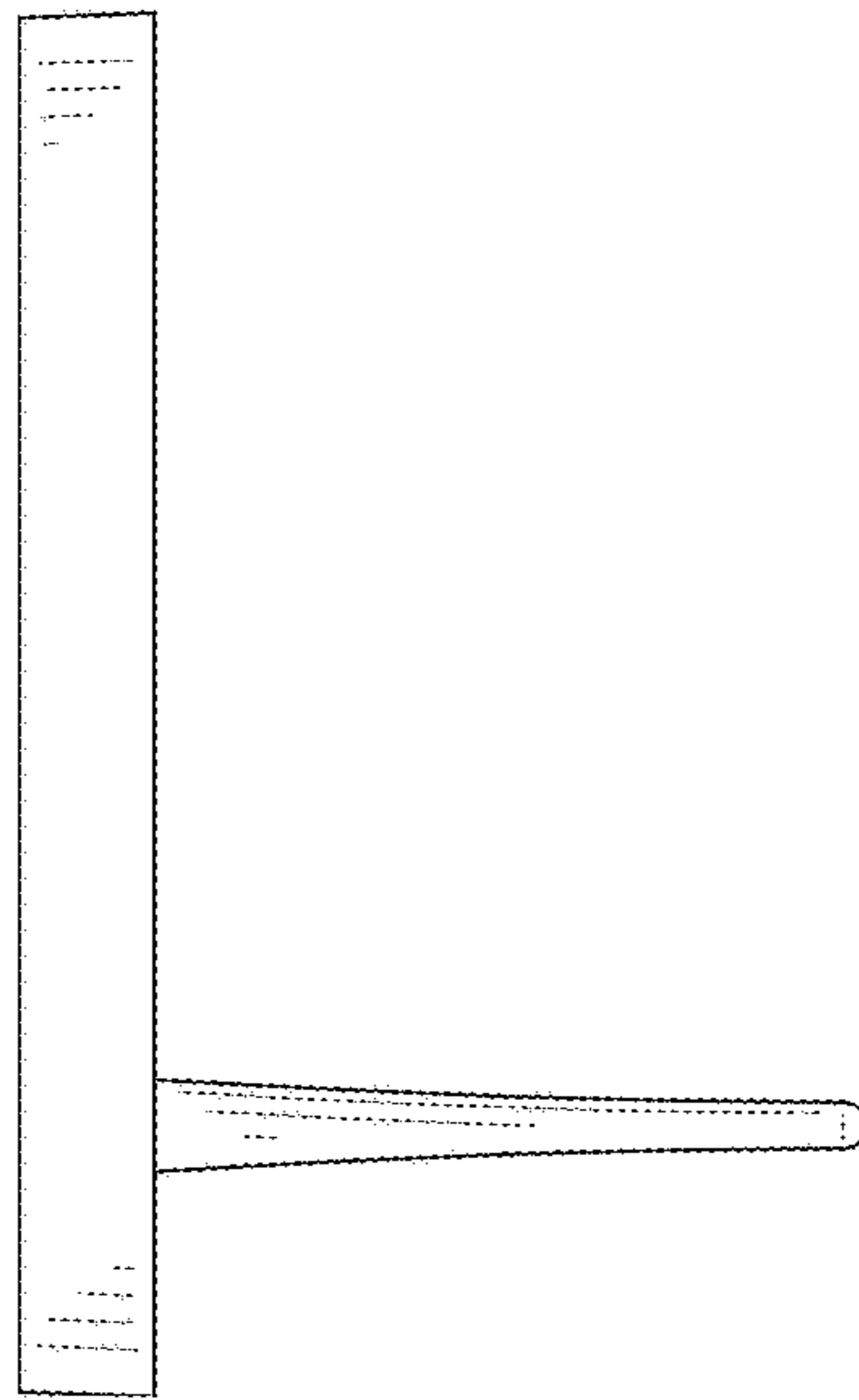


FIG. 6

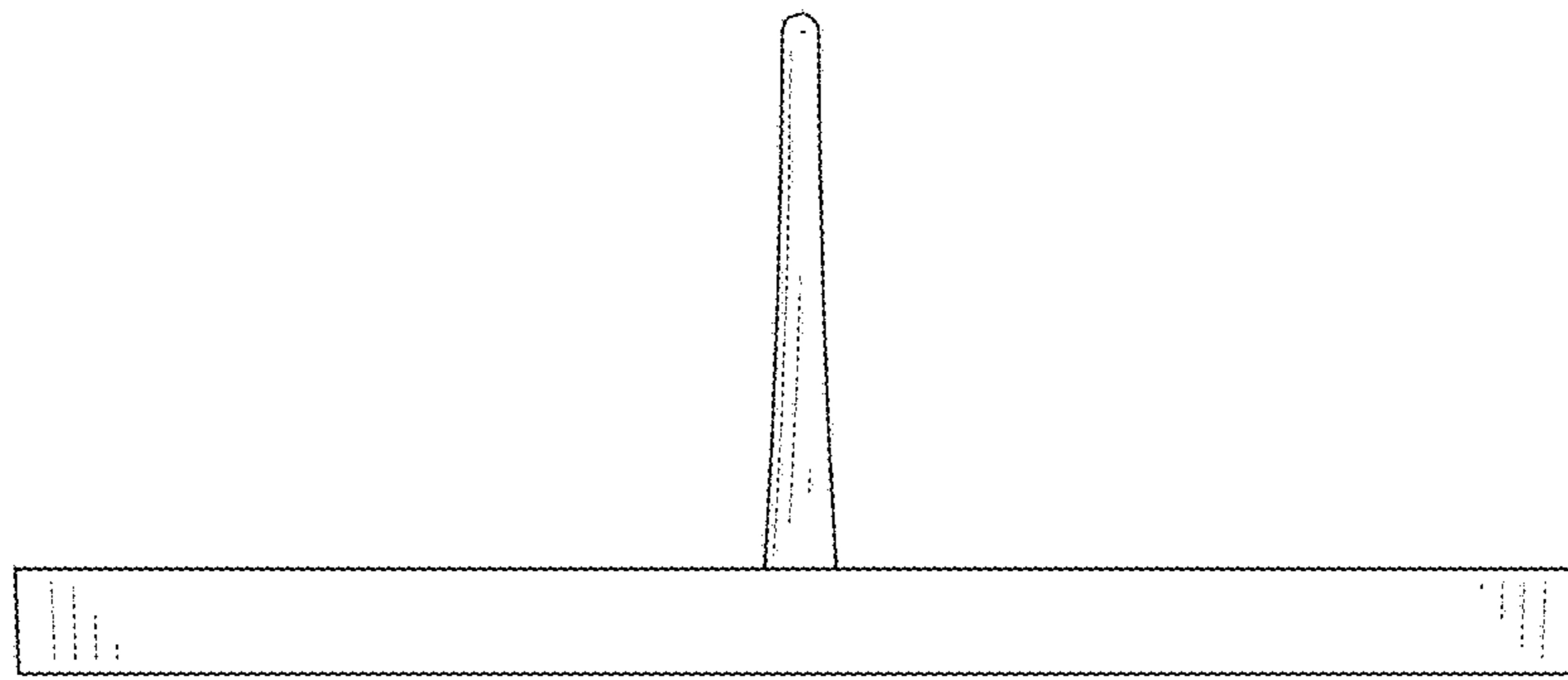


FIG. 7

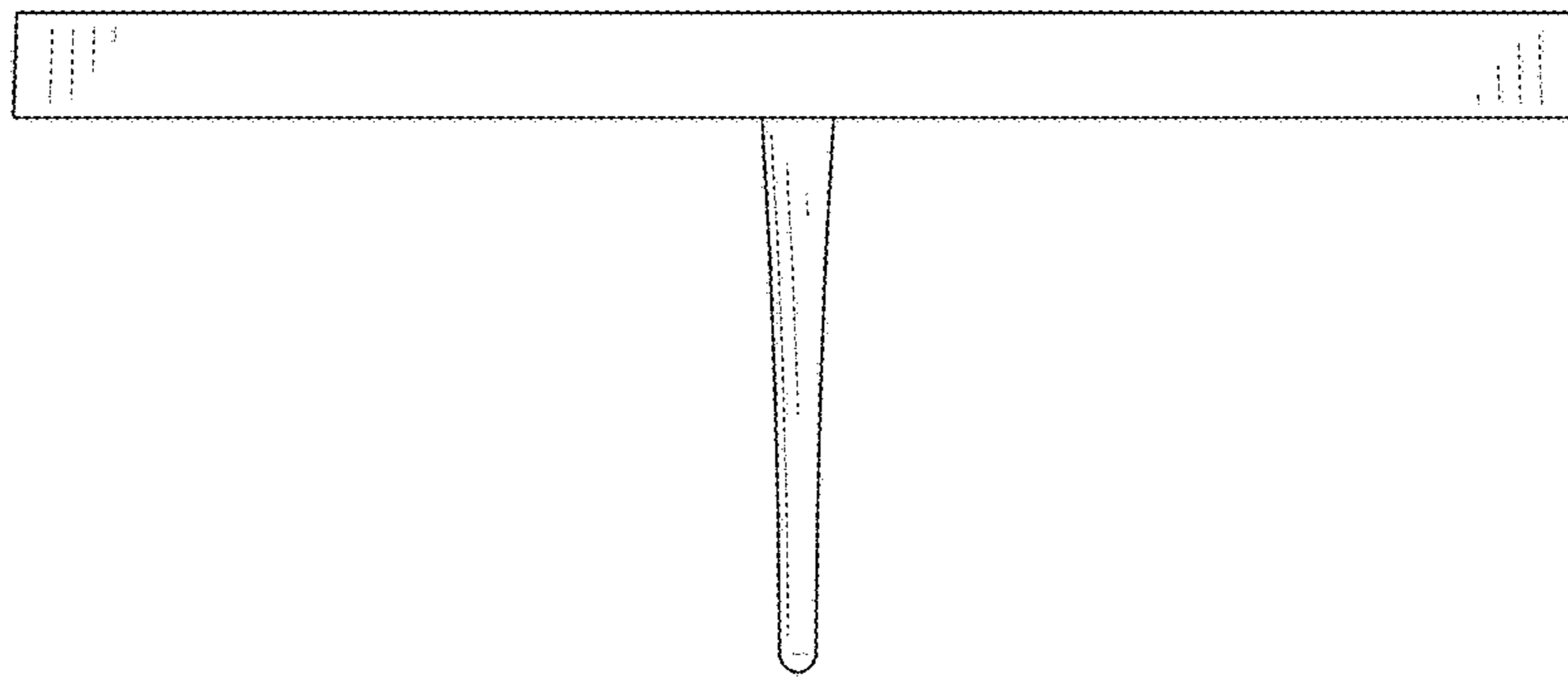


FIG. 8

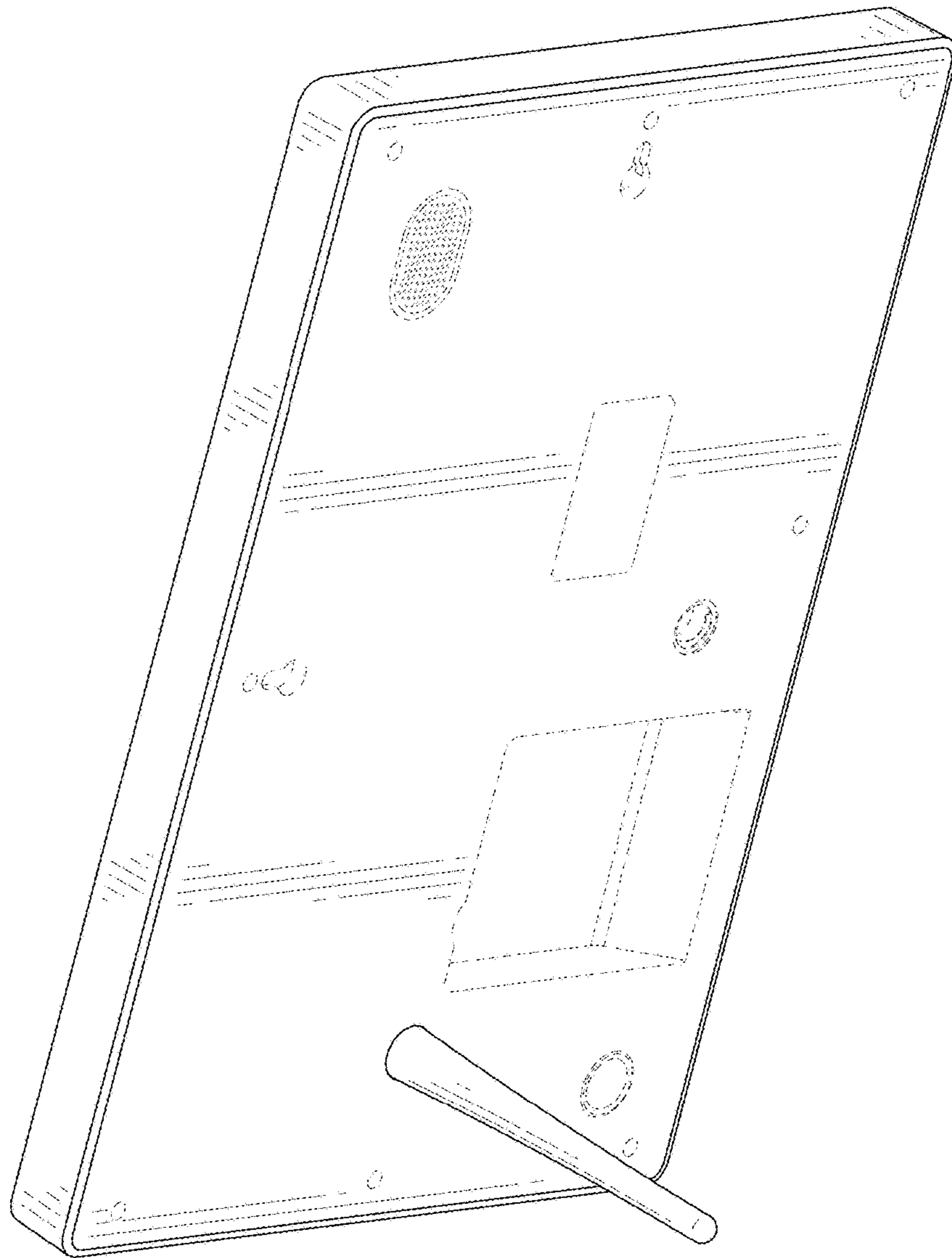


FIG. 9