

US00D862899S

(12) **United States Design Patent** (10) **Patent No.:** **US D862,899 S**
Vasilakes et al. (45) **Date of Patent:** **** Oct. 15, 2019**

(54) **LINT ROLLER IN OPEN POSITION**

(56) **References Cited**

(71) Applicant: **3M INNOVATIVE PROPERTIES COMPANY**, St. Paul, MN (US)

U.S. PATENT DOCUMENTS

(72) Inventors: **Lloyd S. Vasilakes**, Stillwater, MN (US); **Mark W. Baldwin**, Woodbury, MN (US)

D336,784	S	*	6/1993	Yen	D4/122
D539,545	S	*	4/2007	Crane	D4/122
D681,341	S	*	5/2013	Caligaris	D4/122
8,479,346	B1	*	7/2013	Raghuprasad	A47L 13/34 15/111
D697,313	S	*	1/2014	Yao	D4/122
8,904,588	B2	*	12/2014	Taub	A47L 25/005 15/104.002
D733,434	S	*	7/2015	Miwa	D4/122
D802,306	S	*	11/2017	Woolman	D4/122

(73) Assignee: **3M INNOVATIVE PROPERTIES COMPANY**, St. Paul, MN (US)

(Continued)

(**) Term: **15 Years**

FOREIGN PATENT DOCUMENTS

(21) Appl. No.: **29/648,801**

KR	100353400	9/2002
WO	WO 2014-167093	10/2014

(22) Filed: **May 24, 2018**

(51) **LOC (12) Cl.** **04-01**

(52) **U.S. Cl.**

USPC **D4/122**

(58) **Field of Classification Search**

USPC D4/122, 131-138; D7/393, 392, 401.2; D8/10, 11, 45, 80, 83, 98, 107, 303; 15/104.001, 104.002, 143.1, 159.1, 160, 15/230, 230.11; 16/430; 492/13, 16, 17, 492/19

CPC A46B 5/02; A46B 5/021; A46B 5/023; A46B 5/025; A46B 5/026; A46B 7/06; A46B 7/10; A47J 45/00; A47J 45/06; A47J 45/061; A47J 45/07; A47J 45/071; B25G 1/00; B25G 1/005; B25G 1/10; B25G 1/102; B25G 1/105; B26B 1/10; Y10S 16/12; Y10S 16/19; Y10T 16/446; Y10T 16/469; Y10T 16/476; A47L 25/00; A47L 25/005; A47L 25/08; B08B 1/00; B08B 1/04; B08B 7/0028; B05C 17/02; B05C 17/0205; B05C 17/0217; B05C 17/0222; B05C 17/0225

See application file for complete search history.

OTHER PUBLICATIONS

“16 Seriously Amazing Beauty Stocking Stuffers, Beyond Nail Polish and Hand Cream”, [retrieved from the internet on Jul. 9, 2018], URL <<https://coolmompicks.com/blog/2016/12/16/creative-ideas-beauty-stocking-stuffers/>>, pp. 1-24.

(Continued)

Primary Examiner — Austin Murphy

(57)

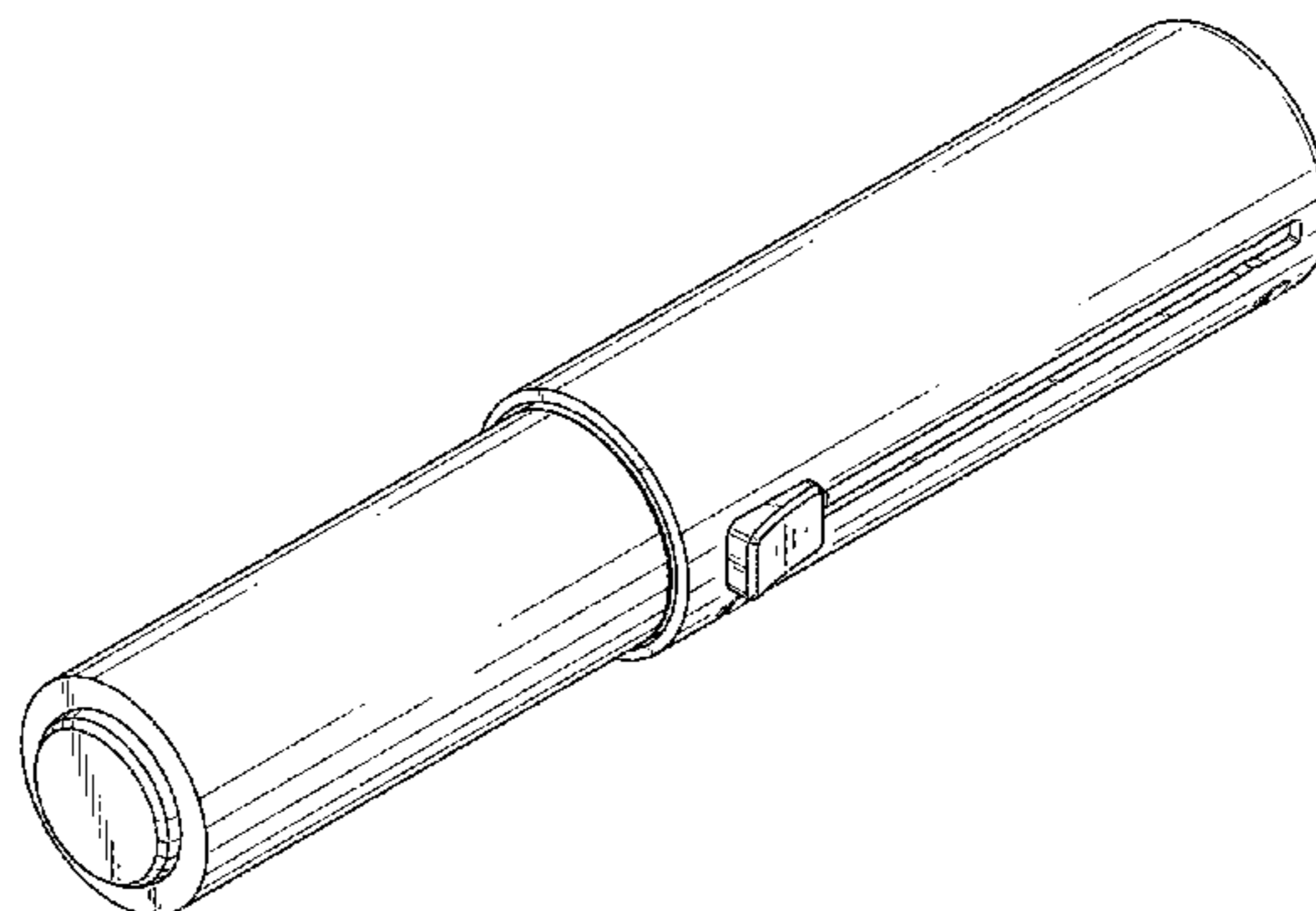
CLAIM

The ornamental design for a lint roller in open position, as shown and described.

DESCRIPTION

FIG. 1 is a perspective view showing the new design for a lint roller in open position;
FIG. 2 is a front view thereof;
FIG. 3 is a left side view thereof;
FIG. 4 is a rear view thereof;
FIG. 5 is a right side view thereof;
FIG. 6 is a top view thereof; and,
FIG. 7 is a bottom view thereof.

1 Claim, 3 Drawing Sheets



(56)

References Cited

U.S. PATENT DOCUMENTS

D818,716 S * 5/2018 Savignac D4/122
D826,571 S * 8/2018 Wang D4/122
2011/0078866 A1 4/2011 Panthofer

OTHER PUBLICATIONS

“Mini Lint Roller”, [retrieved from the internet on Jul. 9, 2018],
URL <https://www.google.com/search?q=mini+lint+roller&source=Inms&tbm=isch&sa=X&ved=0ahUKEwjHk9SP3uLaAhWwct8KHSvQAZ4Q_AUICygC&biw=962&bih=688&dpr=1.25#imgsrc=C7bSwAXKxIIZPM:&spf=1525116617888>, pp. 1-5.

“Mini Useful Tear-out Sticky Paper Hair Remove Brush Roller Portable Electrostatic Compact Pocket Manual Lint Sticking Roller”, [retrieved from the internet on Jul. 9, 2018], URL <https://www.aliexpress.com/item/Mini-Useful-Tear-out-Sticky-Paper-Hair-Remove-Brush-Roller-Portable-Electrostatic-Compact-Pocket-Manual-Lint/32848352905.html?spm=2114.search0104.3.171.32ee6cb0Qz4kQ6&ws_ab_test=searchweb0_0,searchweb201602_2_5722916_10152_10065_10709_10151_10344_10068_10130_5722816_10324_10342_10547_10325_10343_10546_10340_10341_10548_10545_10697_10696_5722616_10084_10083_10618_10307_10710_5722716_5711215_10059_308_100031_10103_441_10624_5722516_10623_10622_5711315_10621_10620,searchweb201603_25,ppcSwitch_4&algo_expid=72a5d5c7-1ec1-426d-81ed-25a59e8eda86-24&algo_pvid=72a5d5c7-1ec1-426d-81ed-25a59e8eda86&transAbTest=ae803_2&priceBeautifyAB=0>, pp. 1-3.

* cited by examiner

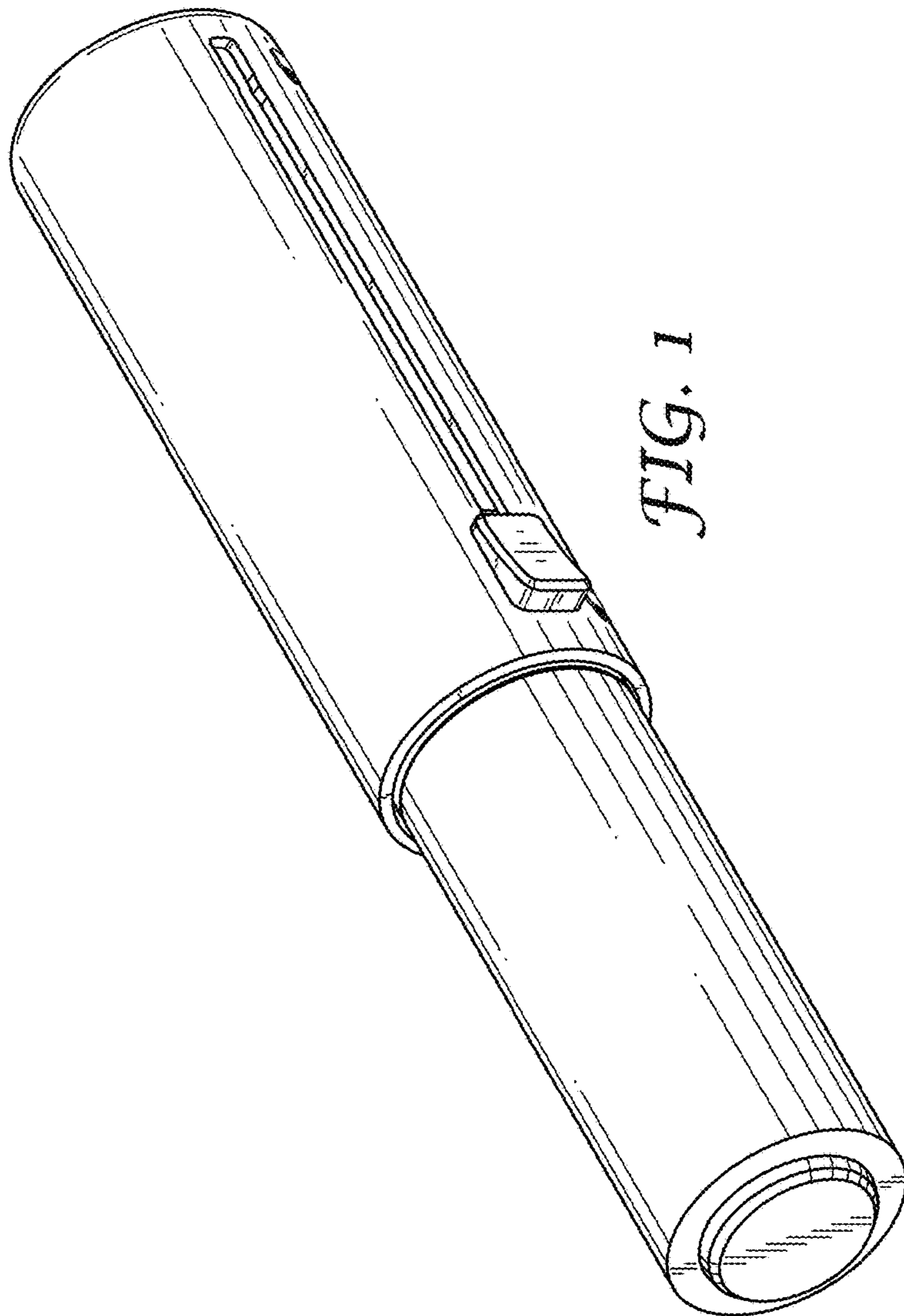


FIG. 1

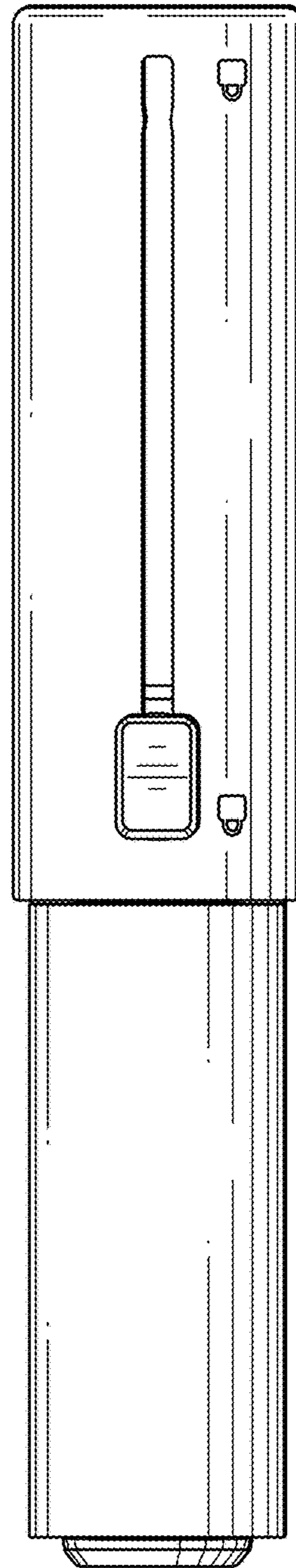


FIG. 2

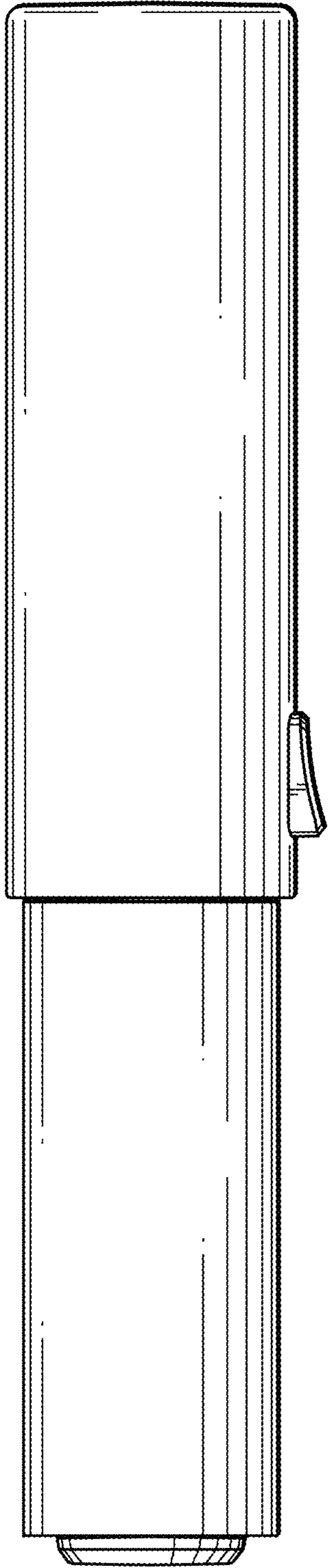


FIG. 3

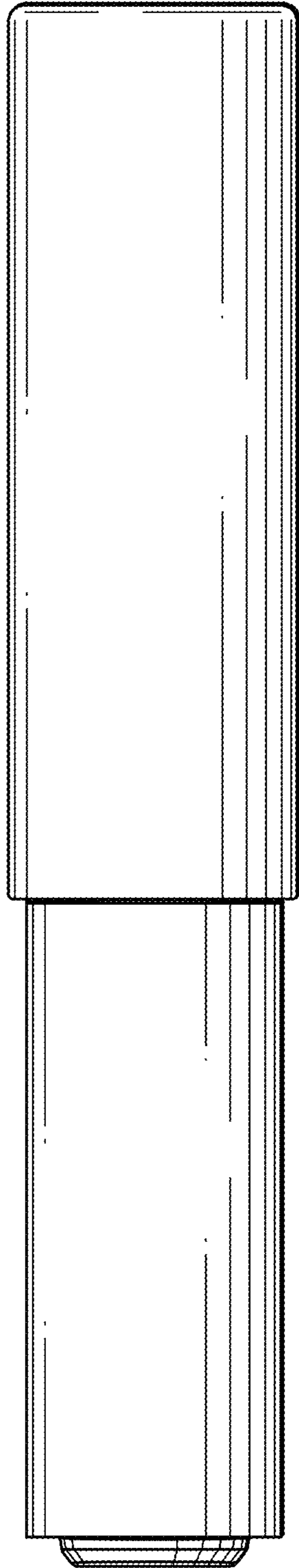


FIG. 4

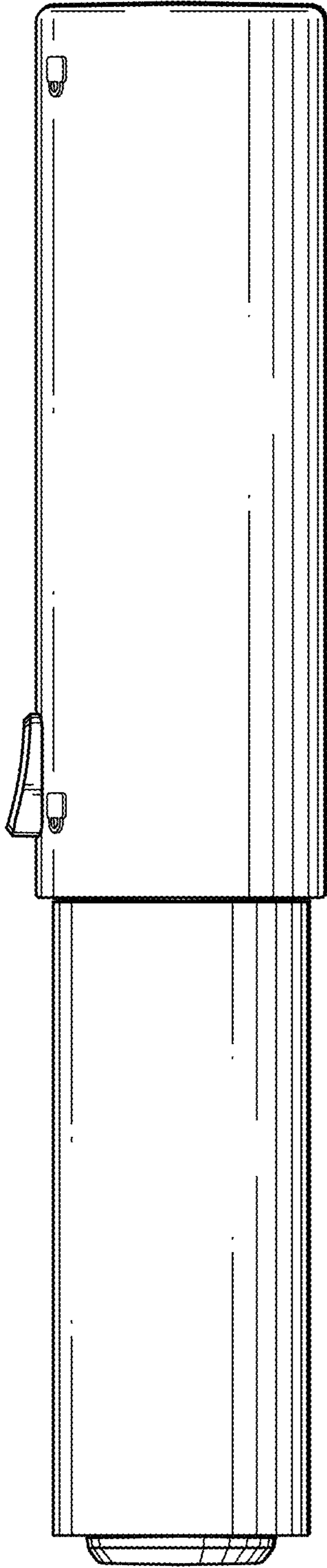


FIG. 5

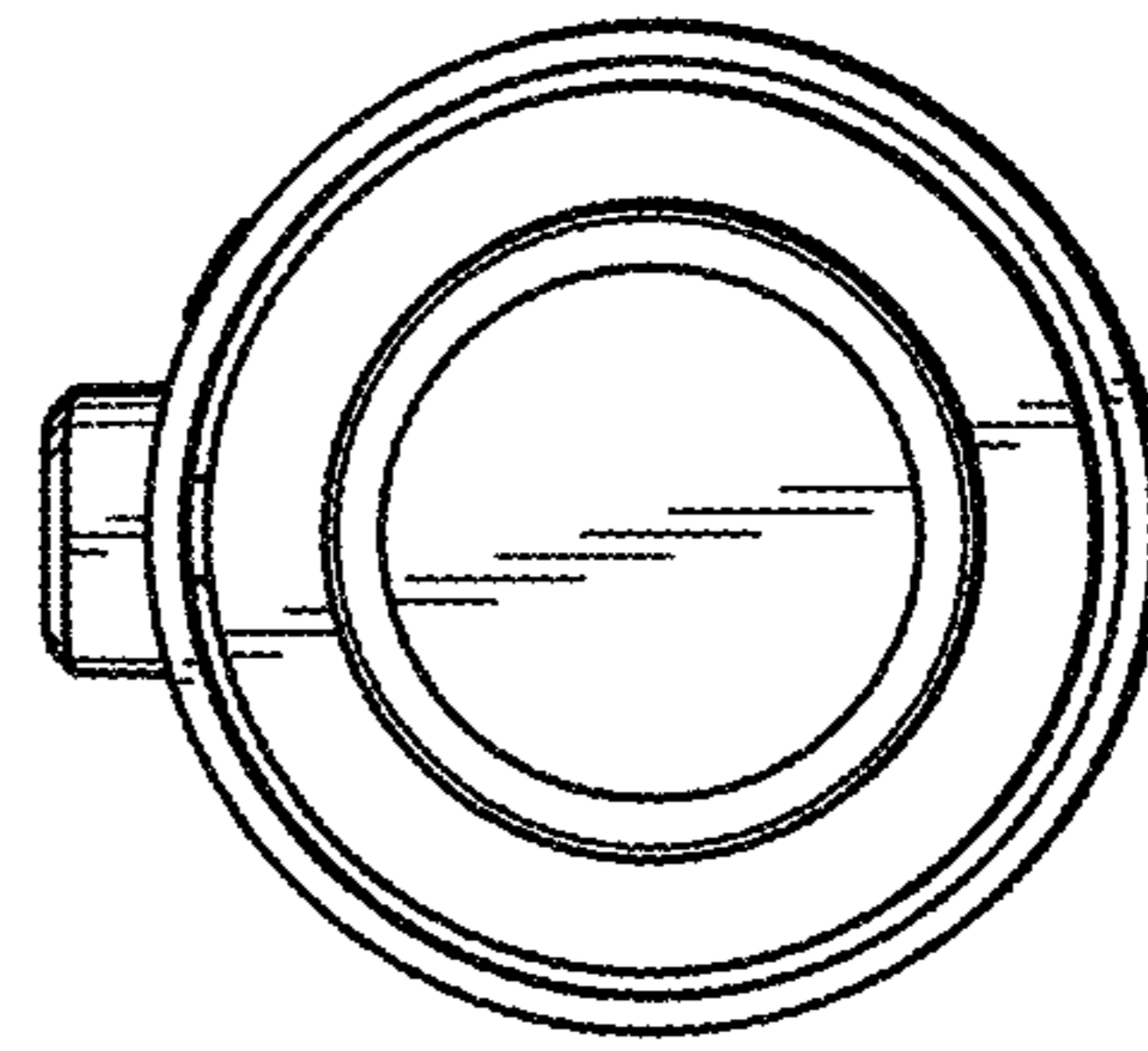


FIG. 6

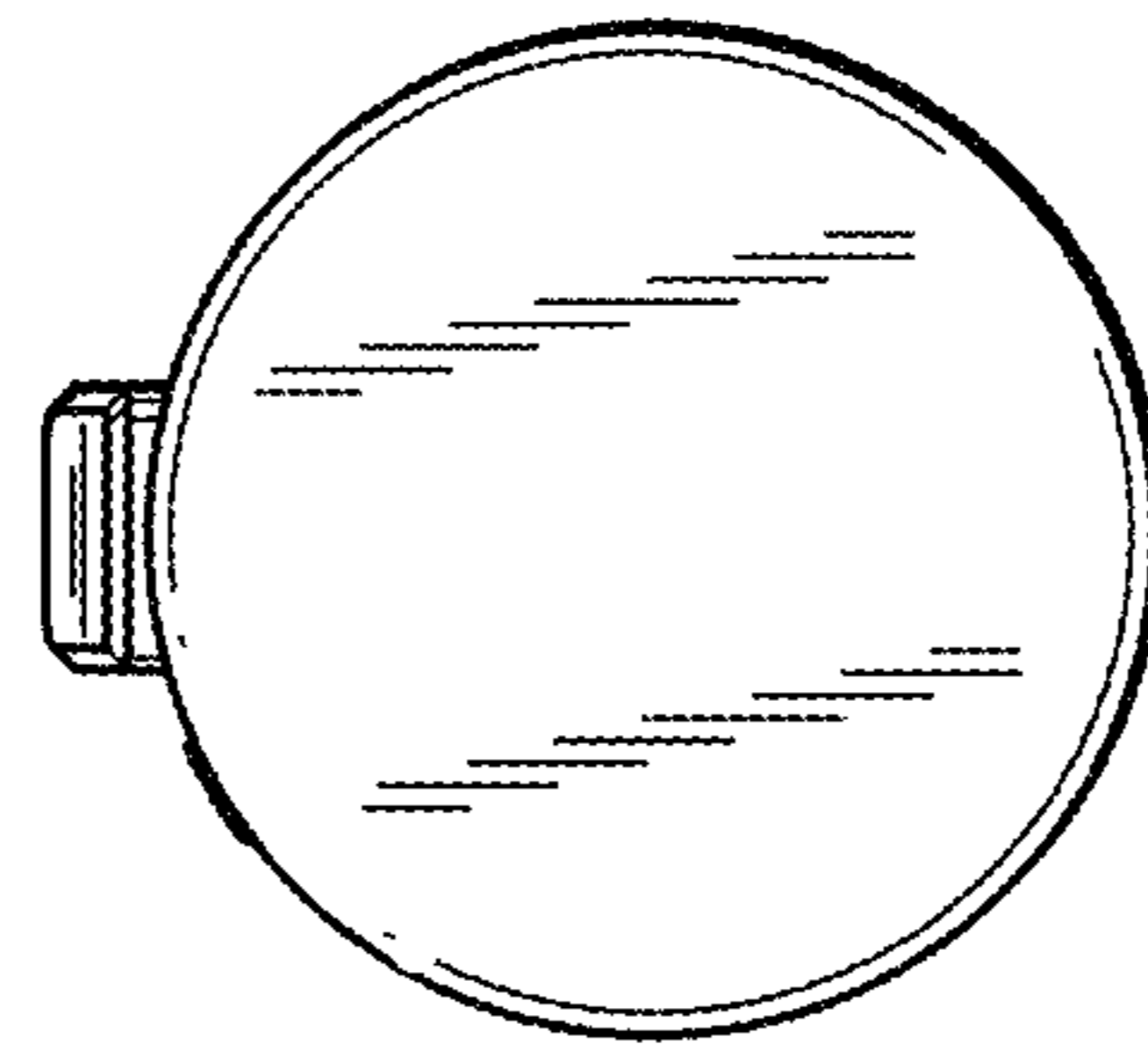


FIG. 7