

US00D862890S

(12) **United States Design Patent**  
**Fuller**

(10) **Patent No.:** **US D862,890 S**

(45) **Date of Patent:** **\*\* Oct. 15, 2019**

(54) **COLLAPSIBLE COMPARTMENT WITHIN A BAG**

D732,294 S \* 6/2015 Hu ..... D3/319

\* cited by examiner

(71) Applicant: **Black Diamond Group, Inc.**, Woburn, MA (US)

*Primary Examiner* — Holly H Baynham

(74) *Attorney, Agent, or Firm* — Pierce Atwood LLP; Kevin M. Farrell

(72) Inventor: **Sue Fuller**, Birmingham, MI (US)

(57) **CLAIM**

(73) Assignee: **Black Diamond Group, Inc.**, Woburn, MA (US)

The ornamental design for a collapsible compartment within a bag, as shown and described.

(\*\*) Term: **15 Years**

**DESCRIPTION**

(21) Appl. No.: **29/643,179**

FIG. 1 is a perspective view of a collapsible compartment within a bag;

(22) Filed: **Apr. 5, 2018**

FIG. 2 is a top view of the collapsible compartment within a bag;

(51) **LOC (12) Cl.** ..... **03-01**

FIG. 3 is a bottom view of the collapsible compartment within a bag;

(52) **U.S. Cl.**

USPC ..... **D3/319**; D3/318

FIG. 4 is a front view of the collapsible compartment within a bag;

(58) **Field of Classification Search**

USPC ..... D3/232–233, 240–243, 245–246, D3/318–319

FIG. 5 is a rear view of the collapsible compartment within a bag;

CPC ..... A45C 1/024; A45C 3/06; A45C 13/08; A45C 13/26; A45C 13/28; A45C 3/00; A45C 5/00; A45C 7/00

FIG. 6 is a right side view of the collapsible compartment within a bag;

See application file for complete search history.

FIG. 7 is a left side view of the collapsible compartment within a bag; and,

FIG. 8 is a side view of the collapsible compartment within a bag with the collapsible compartment in the collapsed state, the right and left views being the same.

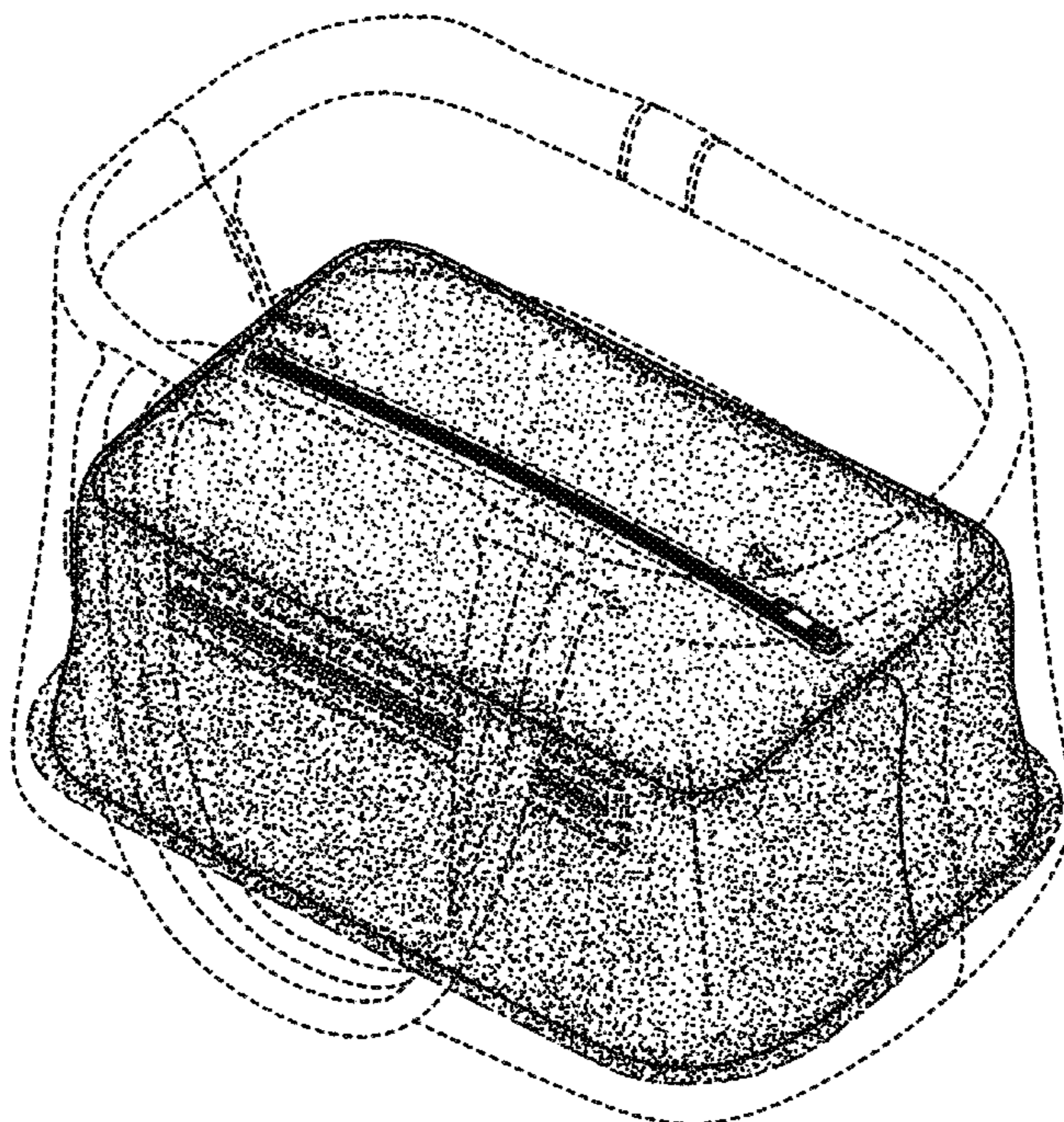
The broken lines showing a bag are for the purposes of illustrating environment and forms no part of the claimed design.

(56) **References Cited**

**U.S. PATENT DOCUMENTS**

D354,399 S *	1/1995	Georges	.....	D3/319
D408,146 S *	4/1999	Briganti	.....	D3/319
D712,661 S *	9/2014	McDonnell	.....	D3/319

**1 Claim, 6 Drawing Sheets**



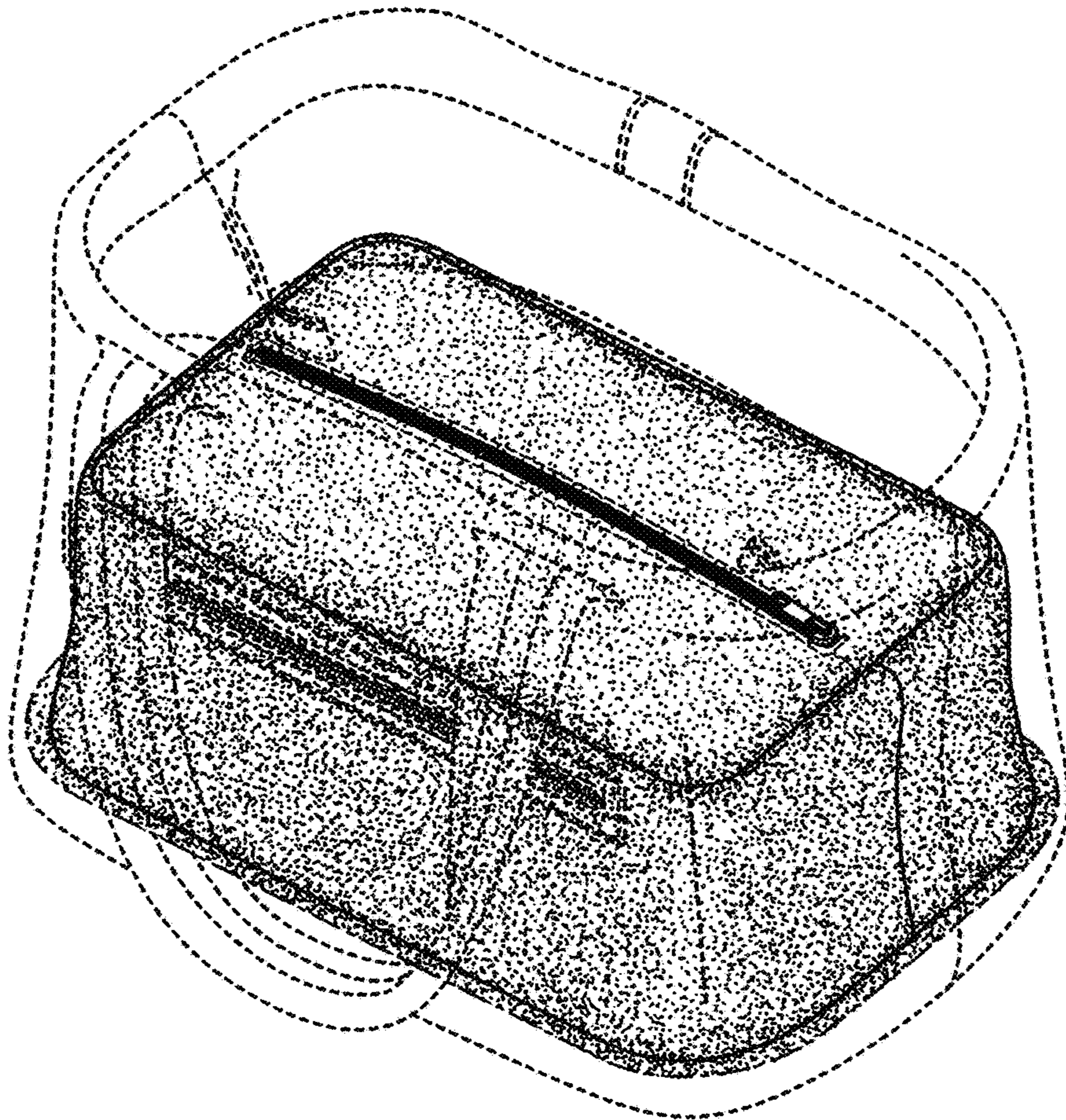


FIG. 1

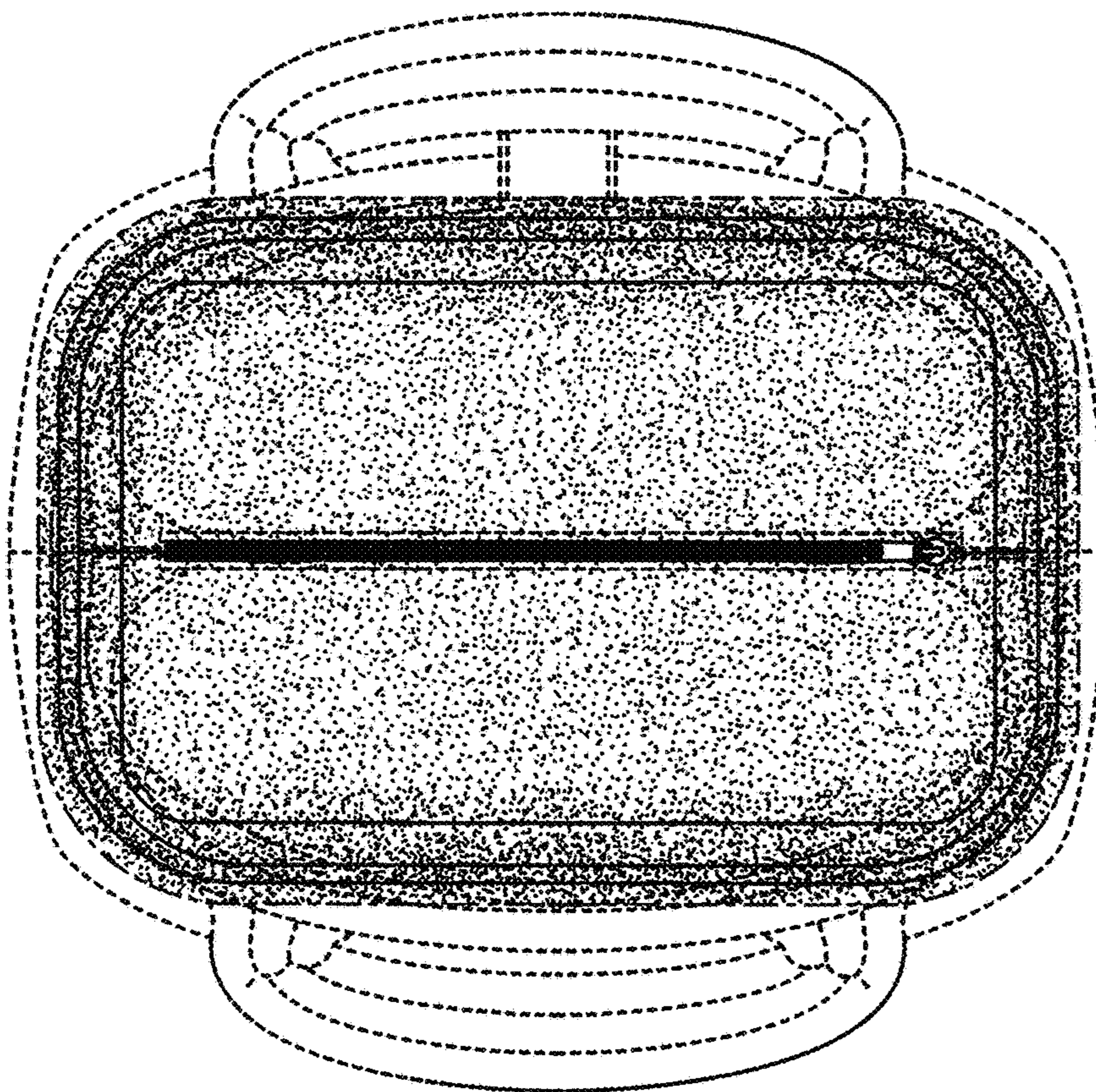


FIG. 2

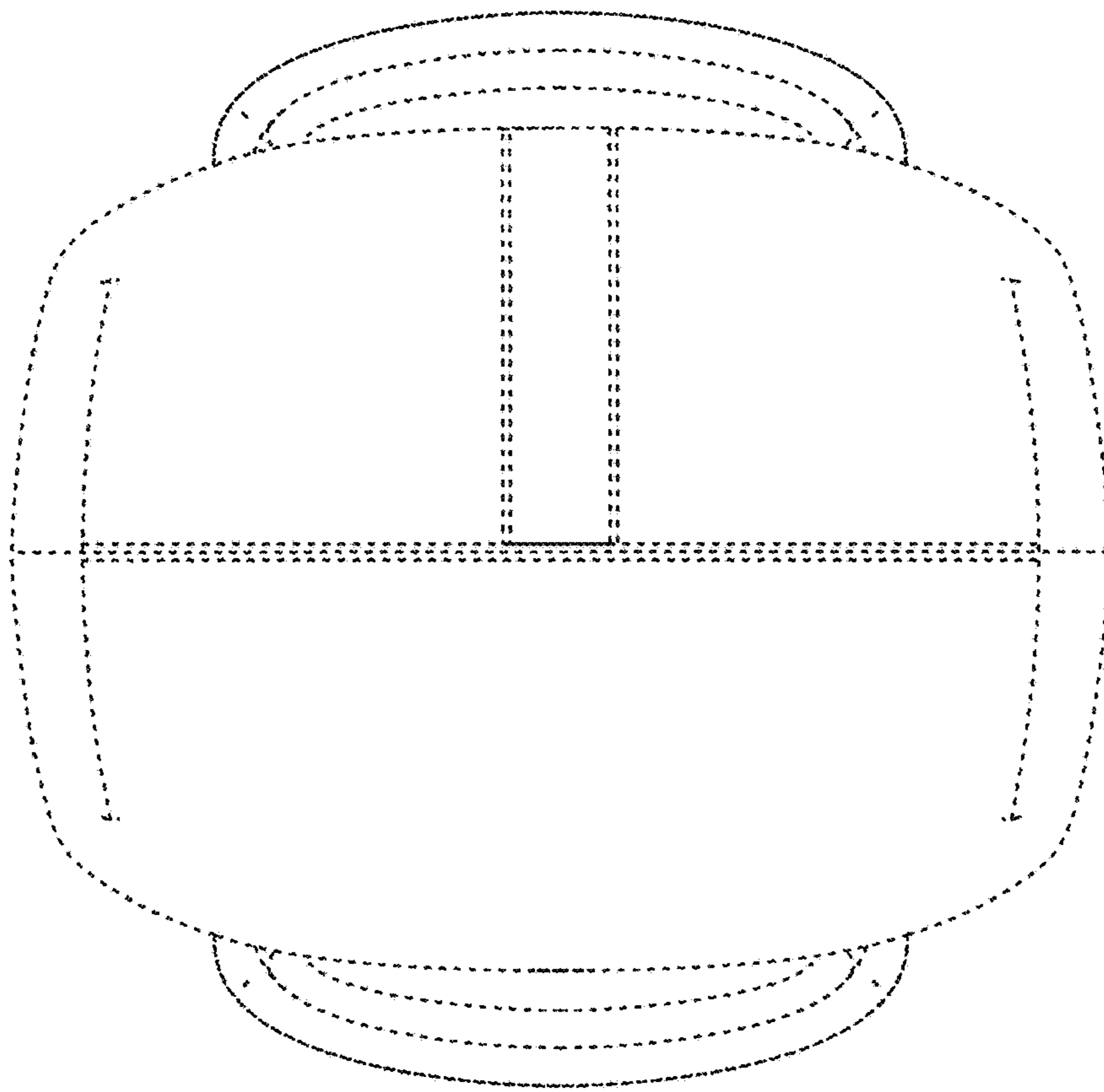


FIG. 3

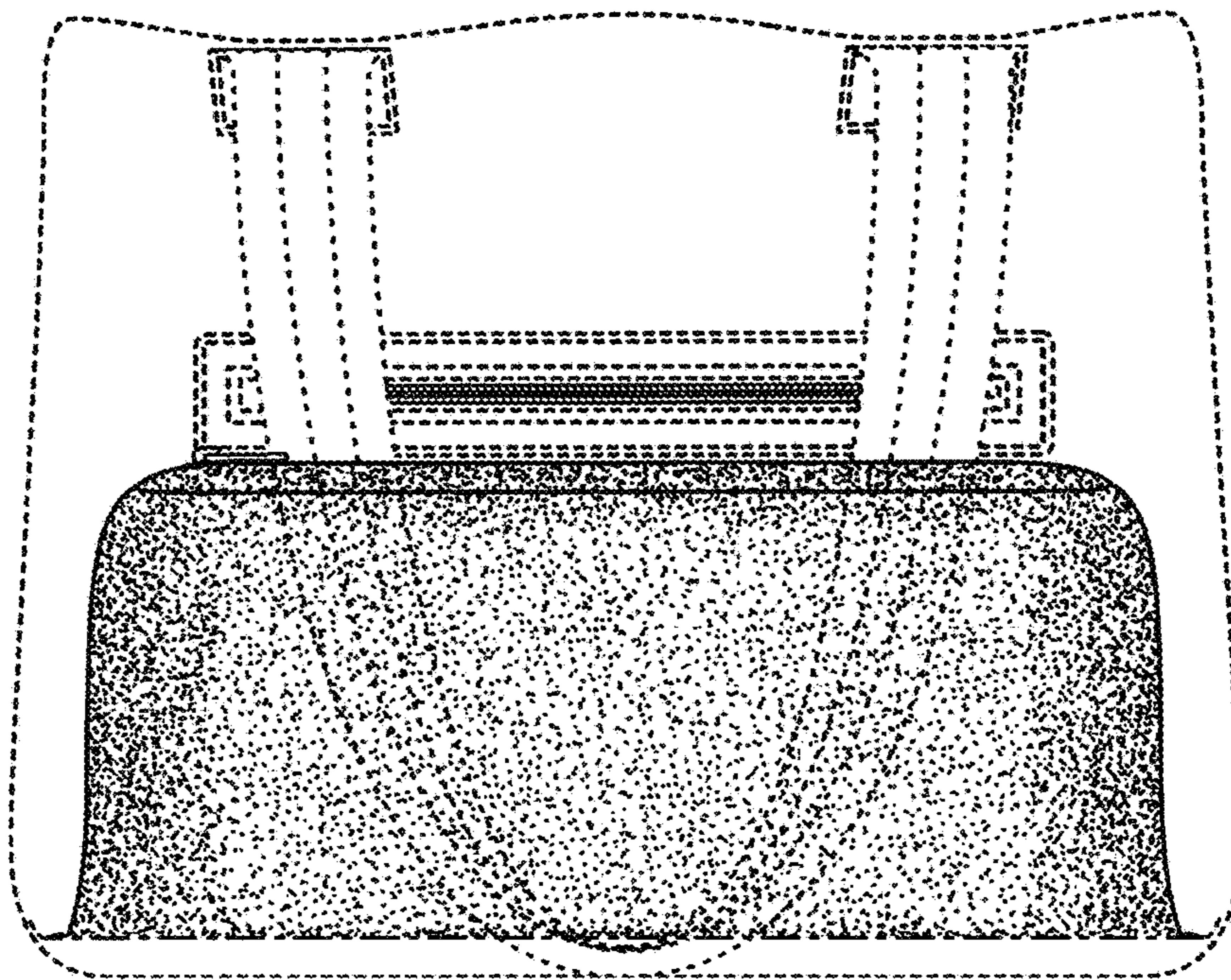


FIG. 4

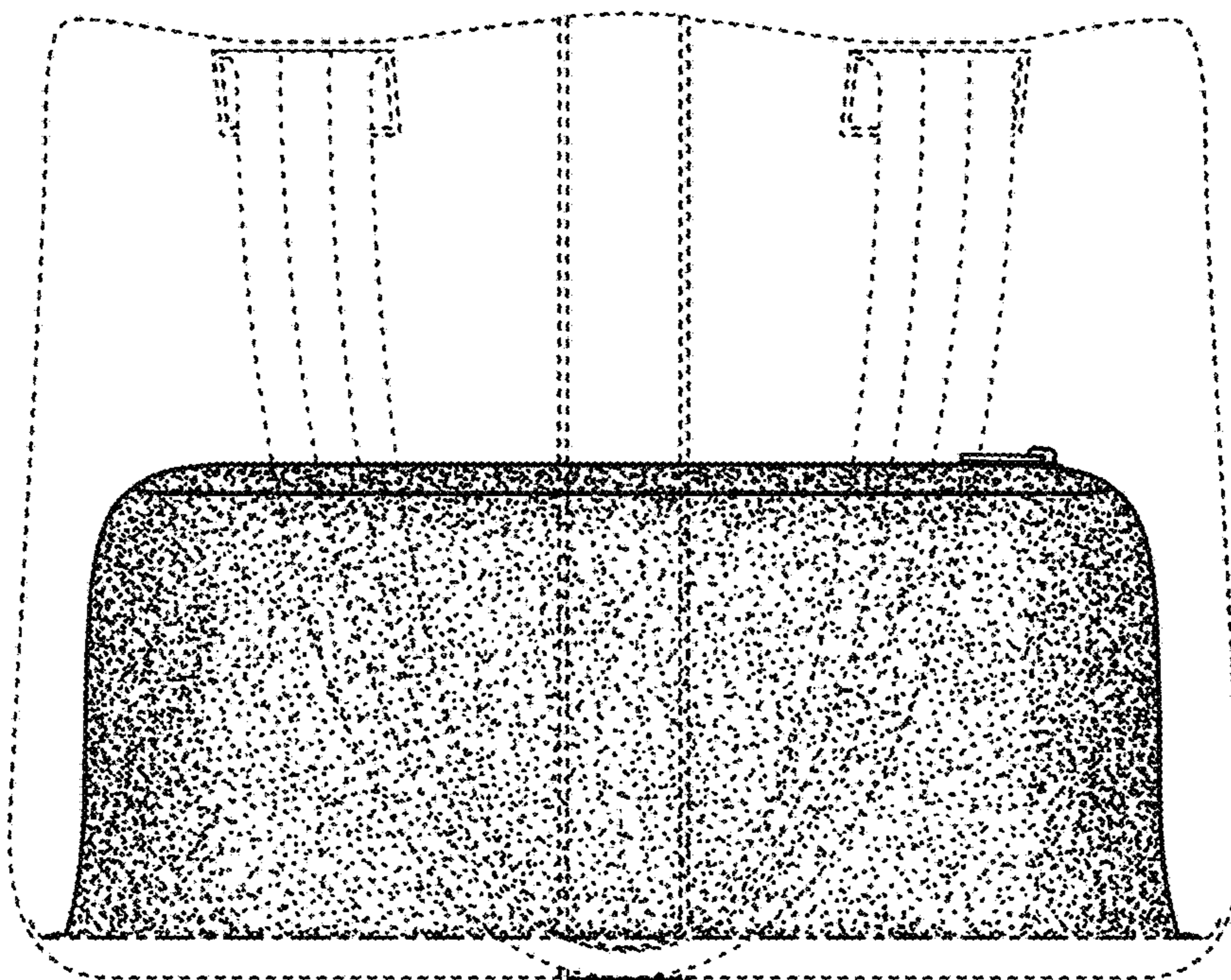


FIG. 5

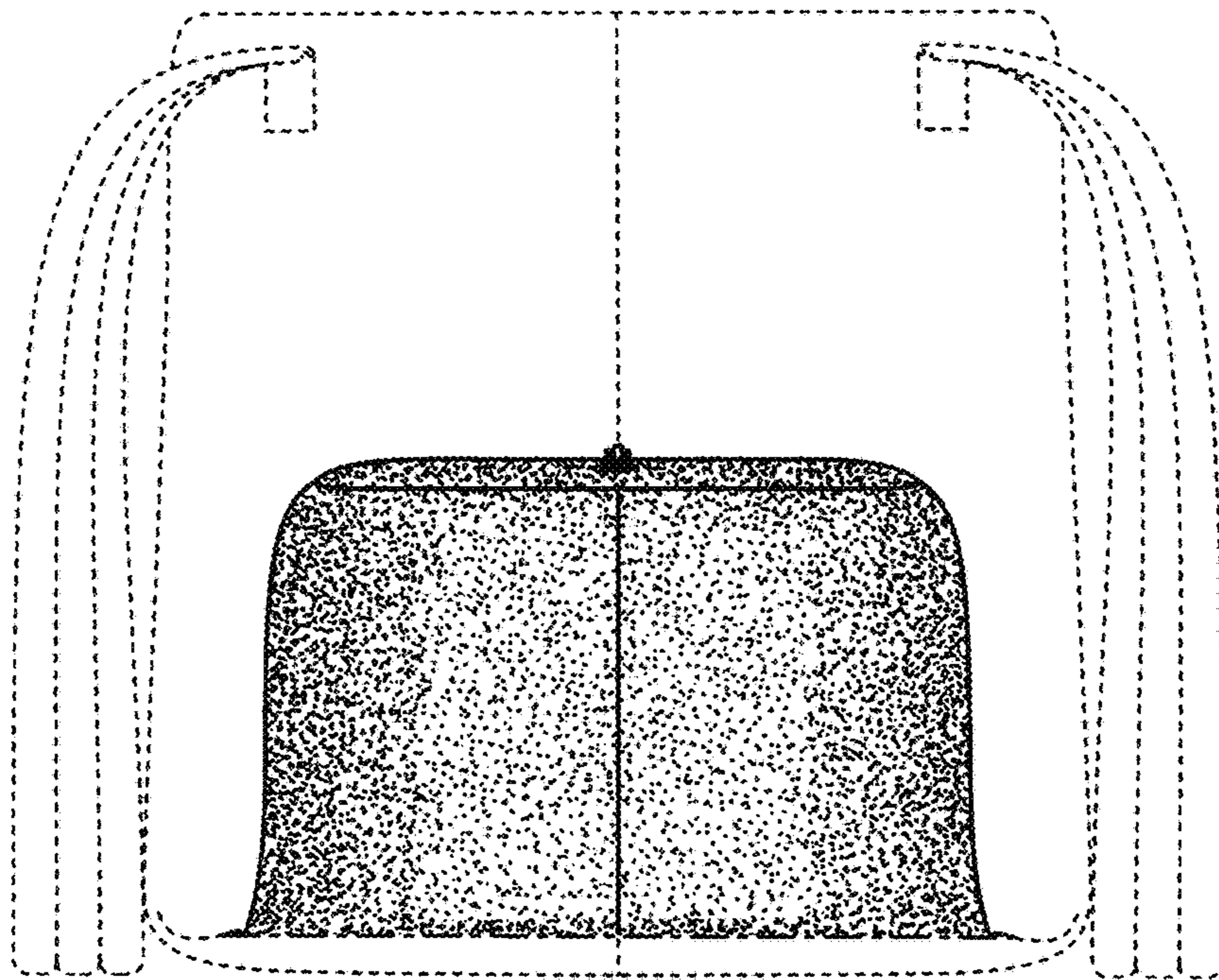


FIG. 6

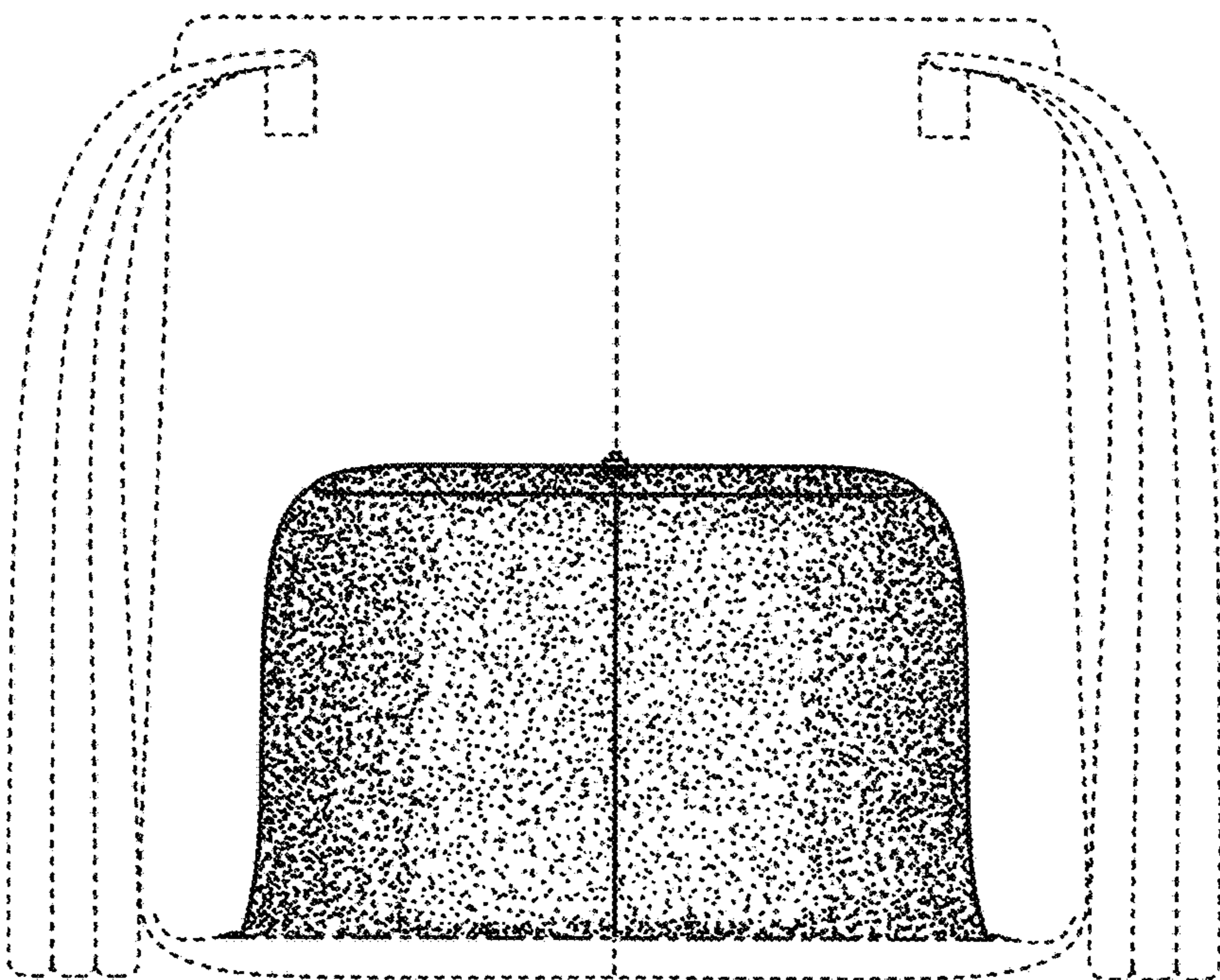


FIG. 7

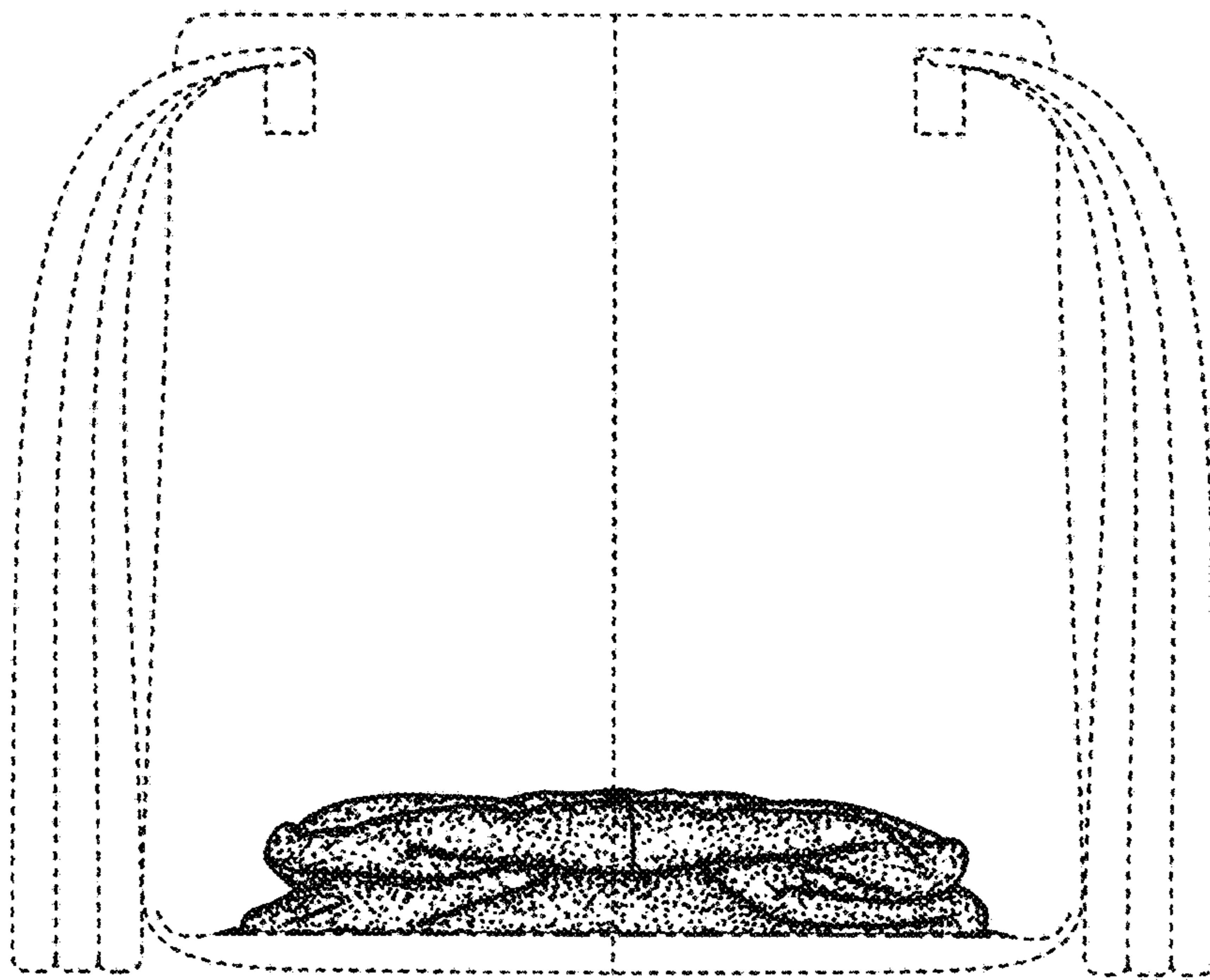


FIG. 8