



US00D862888S

(12) **United States Design Patent**
Seip et al.

(10) **Patent No.:** **US D862,888 S**

(45) **Date of Patent:** **** Oct. 15, 2019**

- (54) **BAG**
- (71) Applicant: **Skip Hop, Inc.**, New York, NY (US)
- (72) Inventors: **Sierra Seip**, New York, NY (US); **Ellen Diamant**, New York, NY (US)
- (73) Assignee: **SKIP HOP, INC.**, New York, NY (US)
- (**) Term: **15 Years**
- (21) Appl. No.: **29/645,018**
- (22) Filed: **Apr. 23, 2018**
- (51) **LOC (12) Cl.** **03-01**
- (52) **U.S. Cl.**
USPC **D3/318**
- (58) **Field of Classification Search**
USPC D3/232-233, 240-243, 245-246, 318
CPC A45C 1/024; A45C 3/06
See application file for complete search history.

(56) **References Cited**

U.S. PATENT DOCUMENTS

D419,763 S *	2/2000	Wiebe	D3/232
D476,150 S *	6/2003	Stulman	D3/246
D564,226 S *	3/2008	Morelli	D3/246

D564,227 S *	3/2008	Morelli	D3/246
D673,773 S *	1/2013	Du	D3/246
D695,568 S *	12/2013	Hayes	D3/233
D708,848 S *	7/2014	Zwetzig	D3/246

* cited by examiner

Primary Examiner — Holly H Baynham

(74) *Attorney, Agent, or Firm* — Stephen J. Weyer, Esq.; James R. Hayne, Esq.; Stites & Harbison, PLLC

(57) **CLAIM**

The ornamental design for a bag, as shown and described.

DESCRIPTION

FIG. 1 is a perspective view taken from the front, left side, and top side of a first exemplary embodiment of the bag of the present design.

FIG. 2 is a front elevation view of the bag of FIG. 1.

FIG. 3 is a rear elevation view of the bag of FIG. 1.

FIG. 4 is a right side elevation view of the bag of FIG. 1.

FIG. 5 is a left side elevation view of the bag of FIG. 1.

FIG. 6 is a top plan view of the bag of FIG. 1.

FIG. 7 is a bottom plan view of the bag of FIG. 1; and,

FIG. 8 is a front, left, top side perspective view in a opened position.

Elements drawn in dash-dash broken lines are included for illustrating portions of the bag, and form no part of the claimed design.

1 Claim, 8 Drawing Sheets

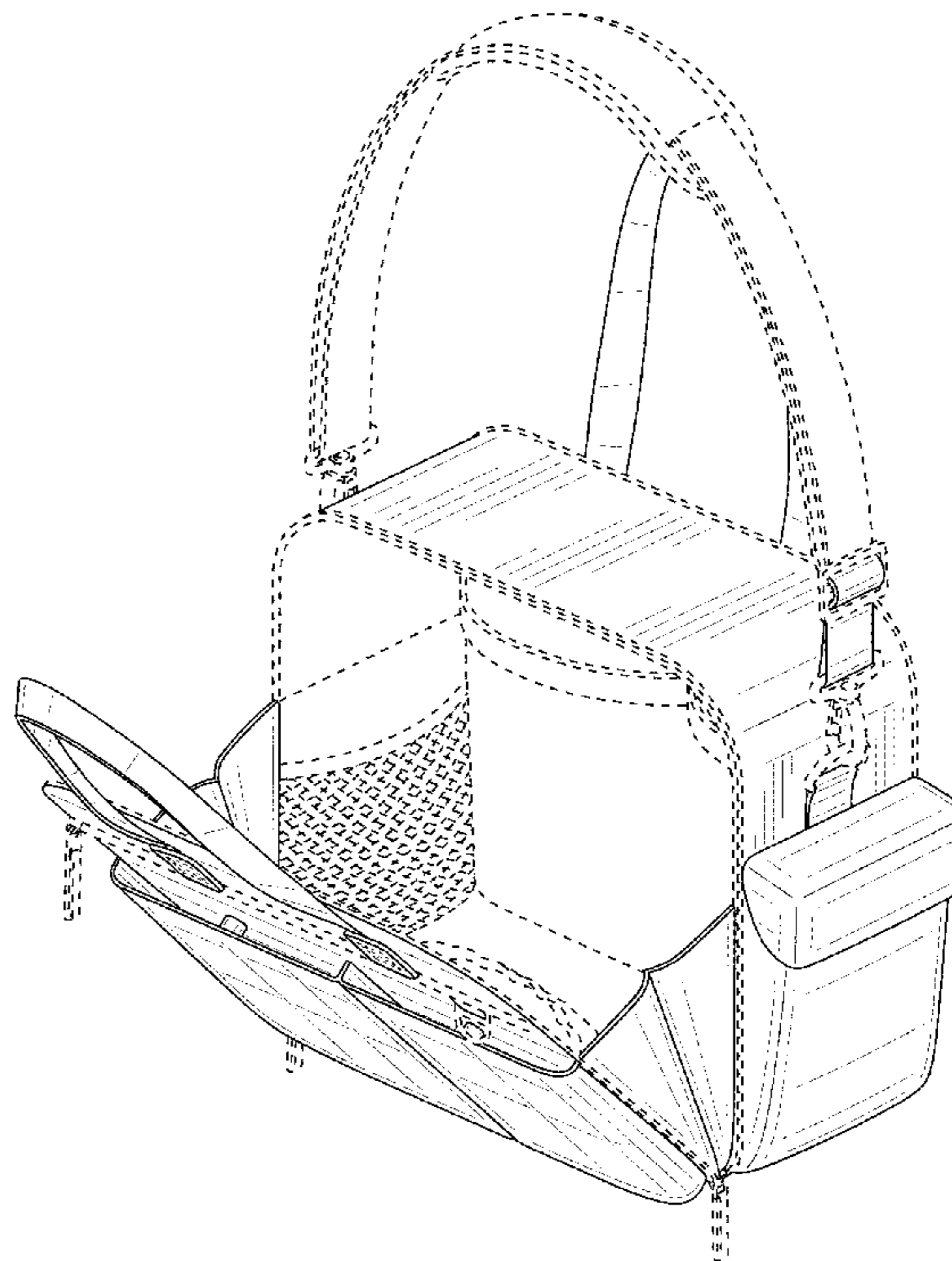
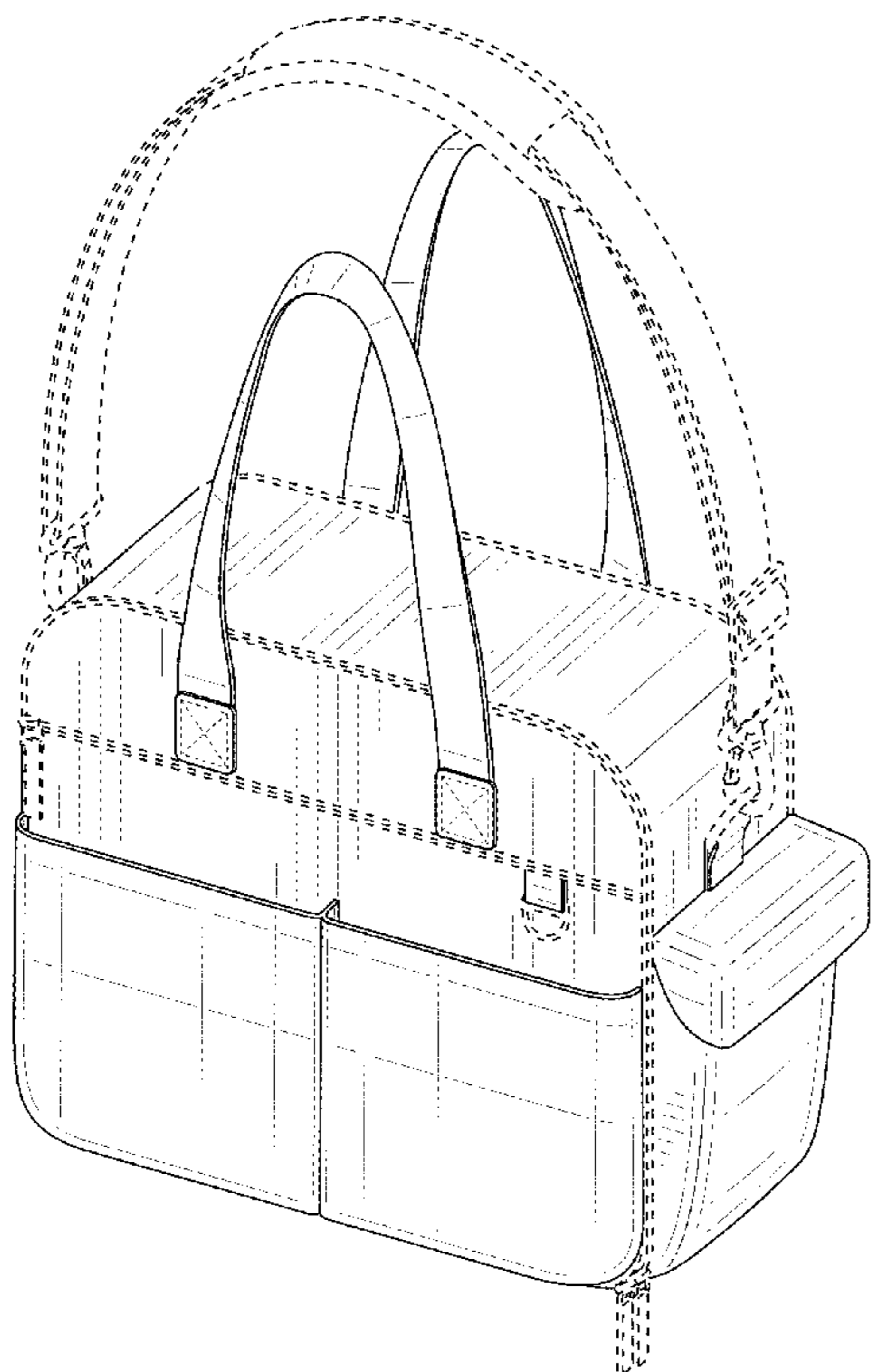




FIG. 1

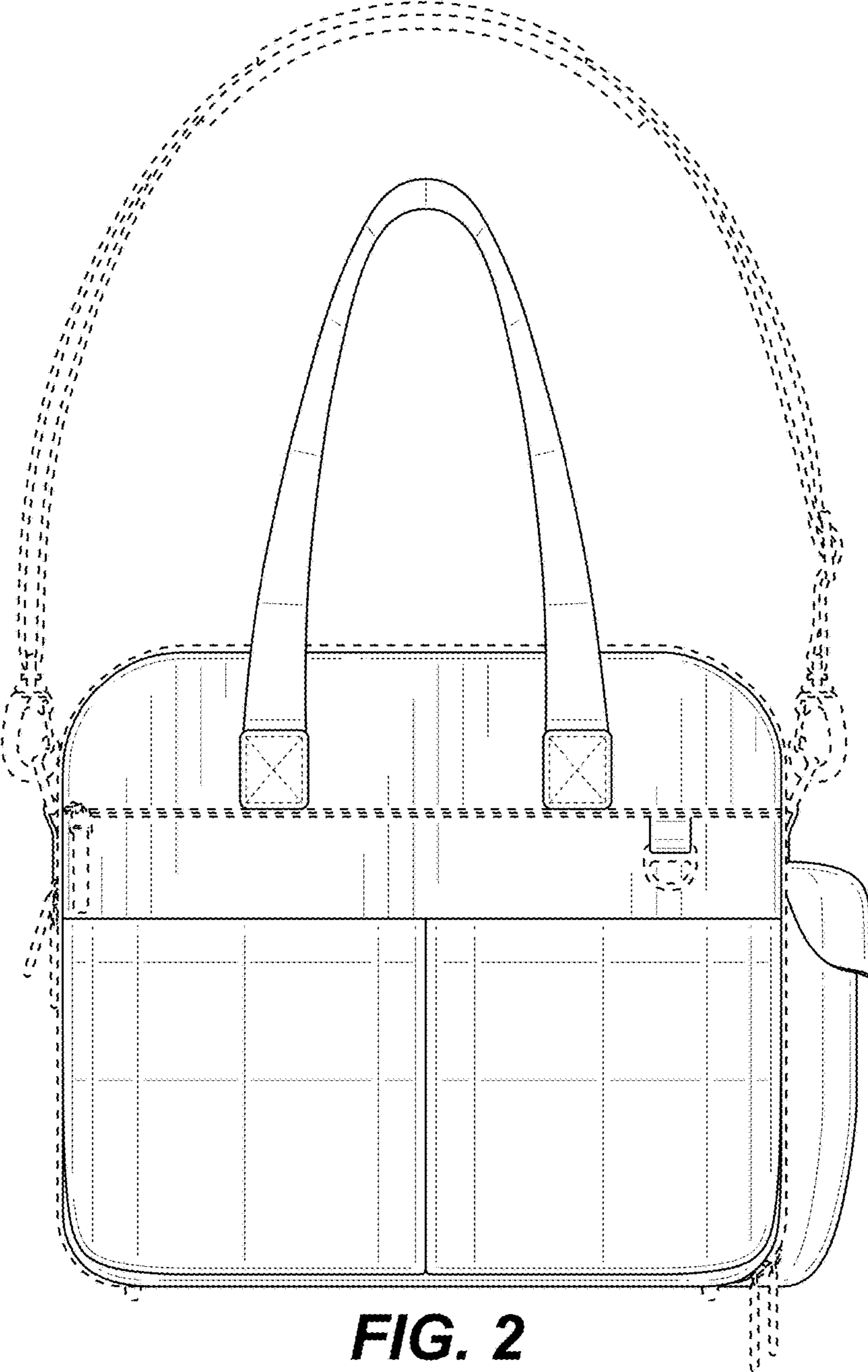
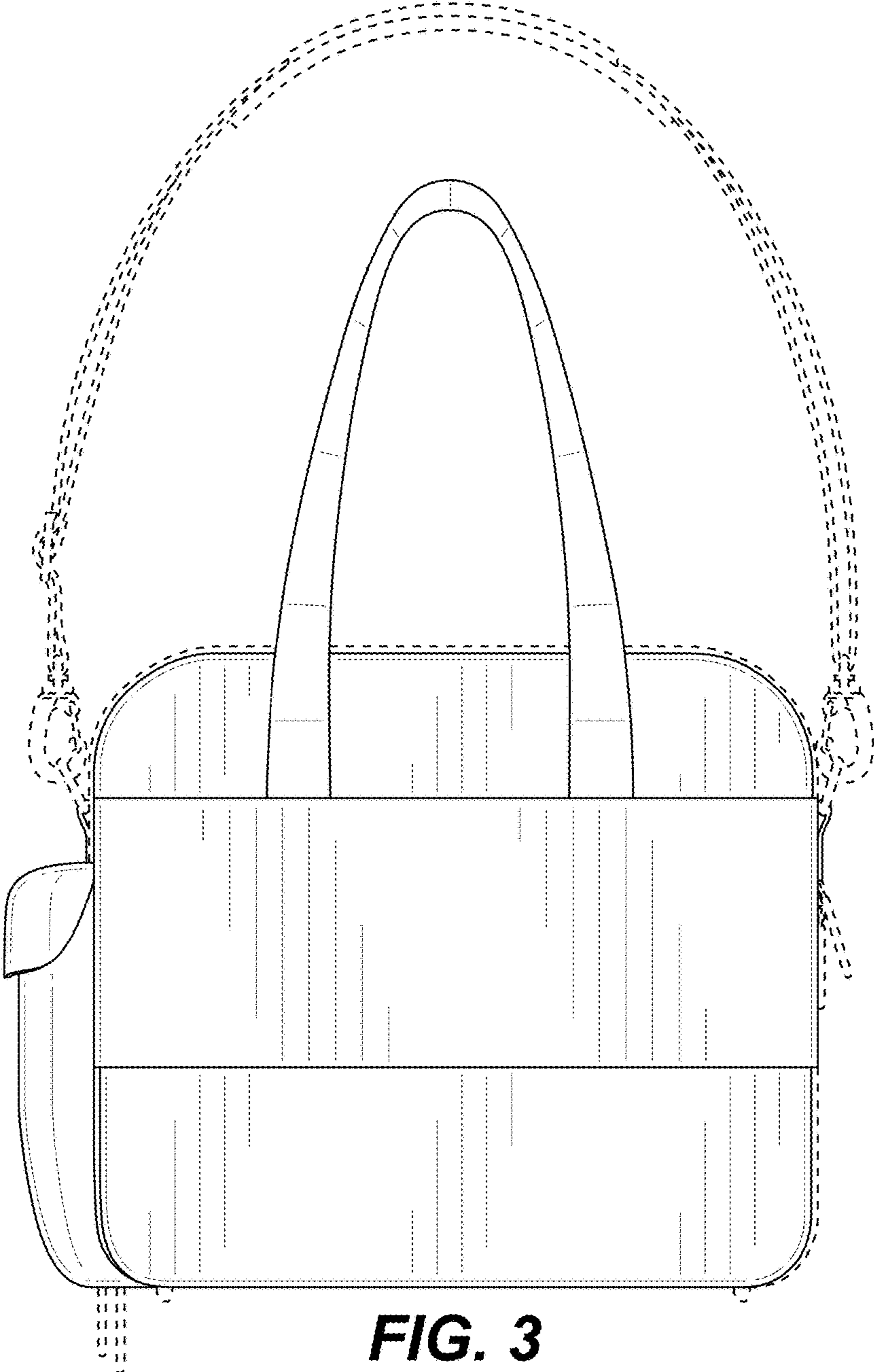


FIG. 2



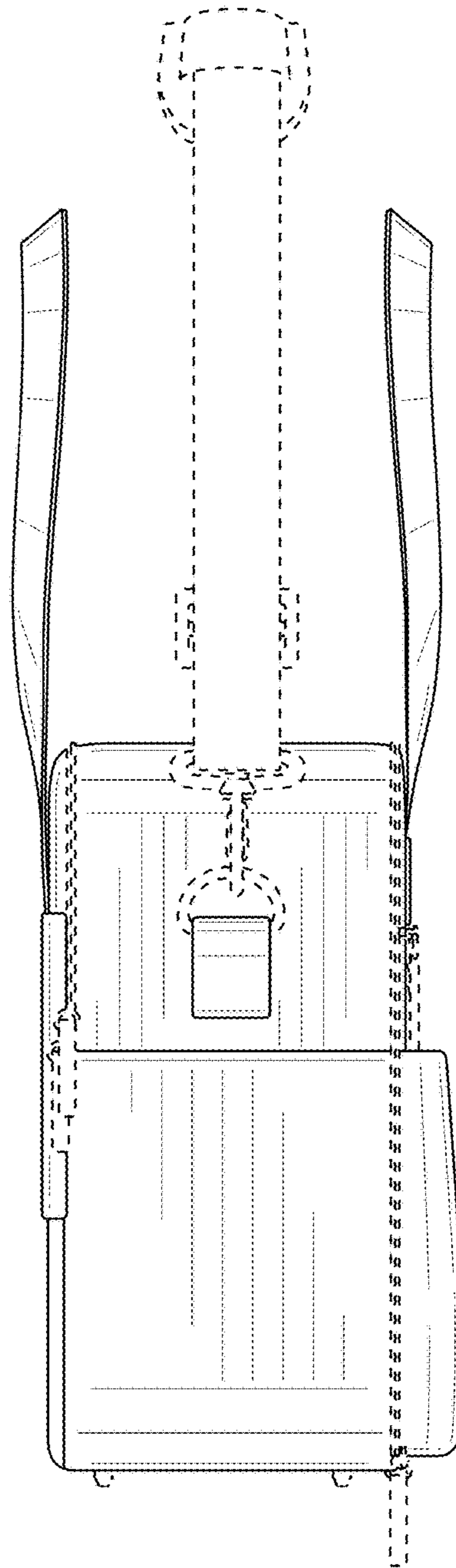


FIG. 4

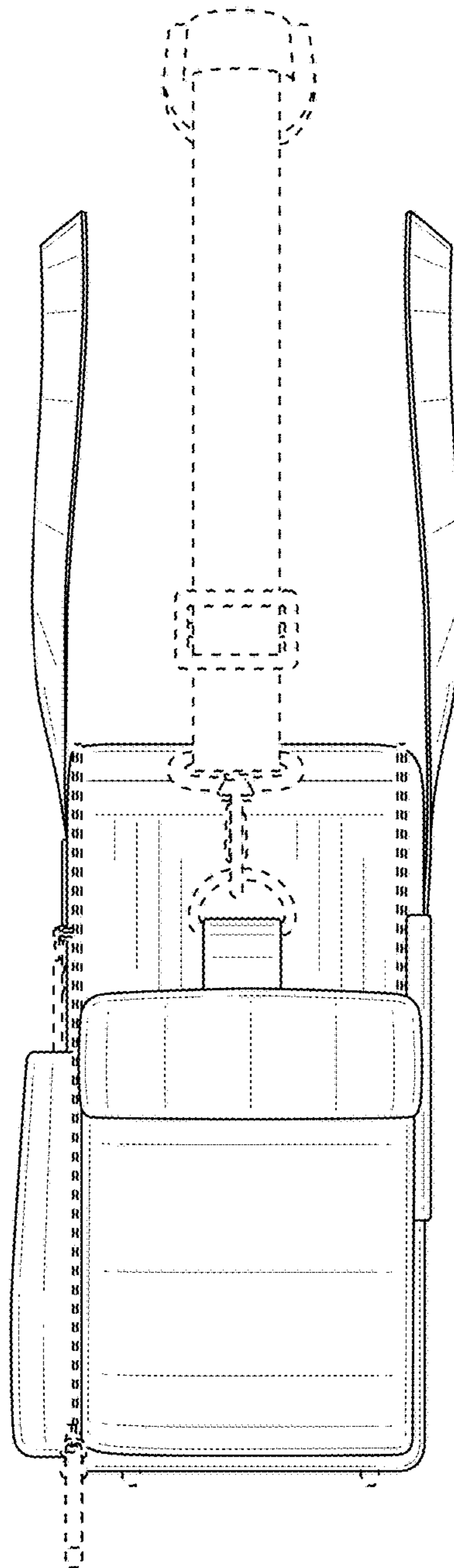


FIG. 5

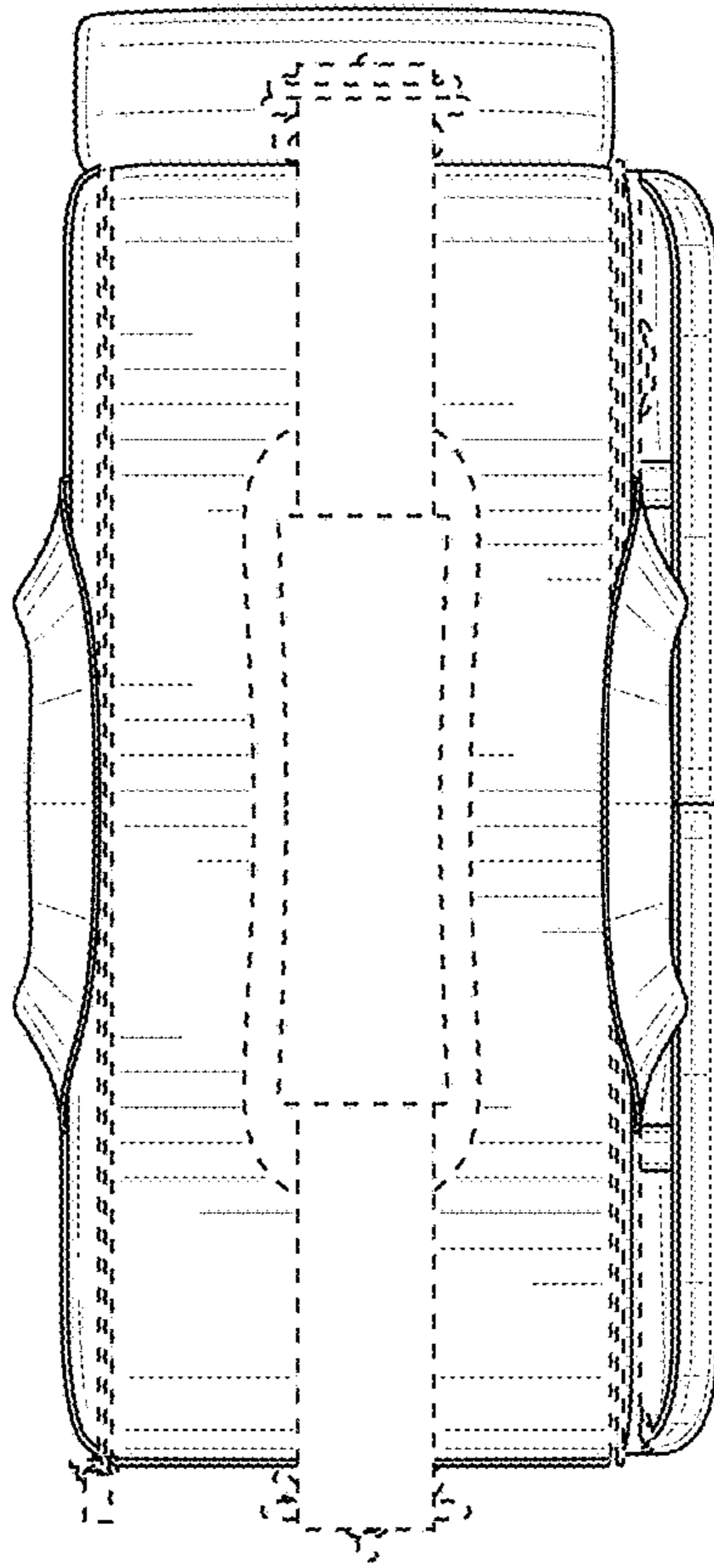


FIG. 6

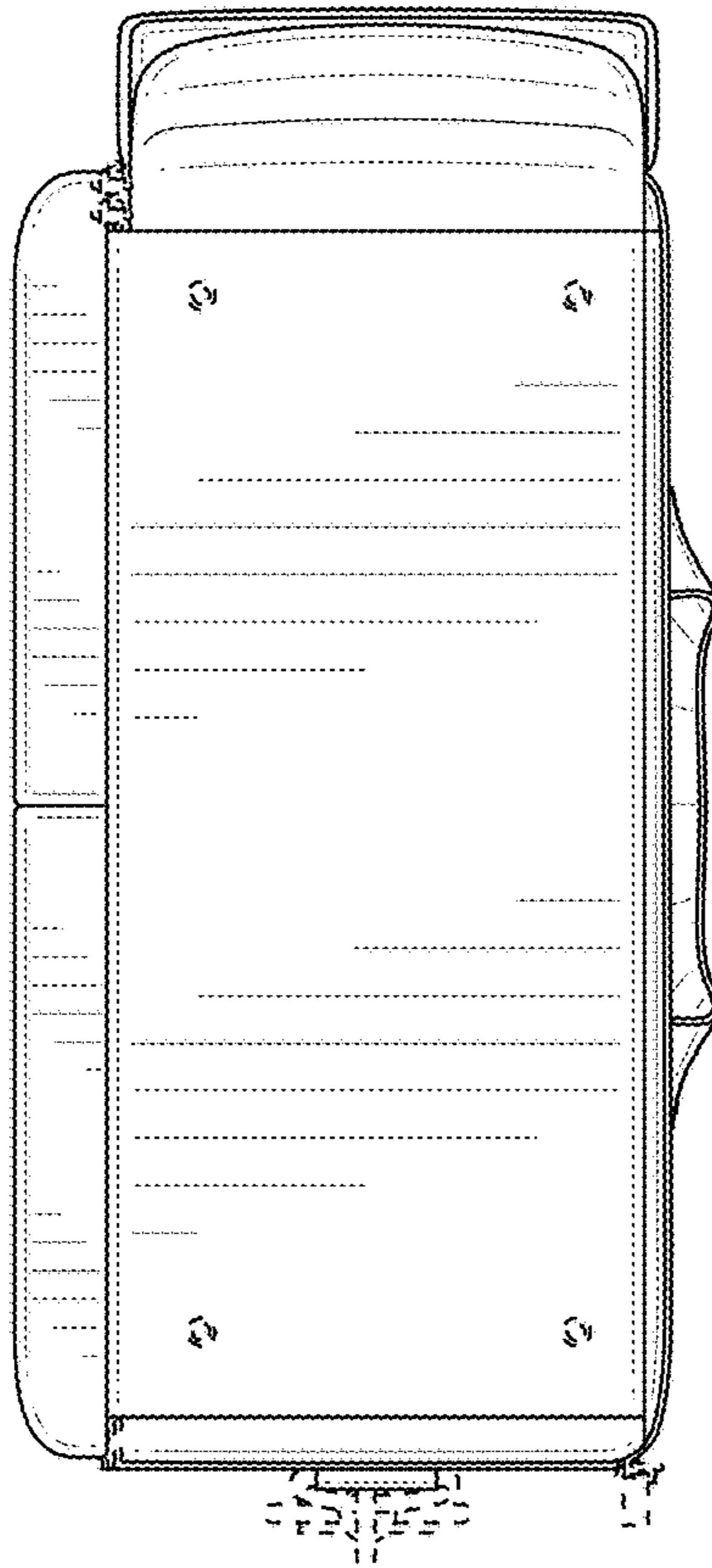


FIG. 7

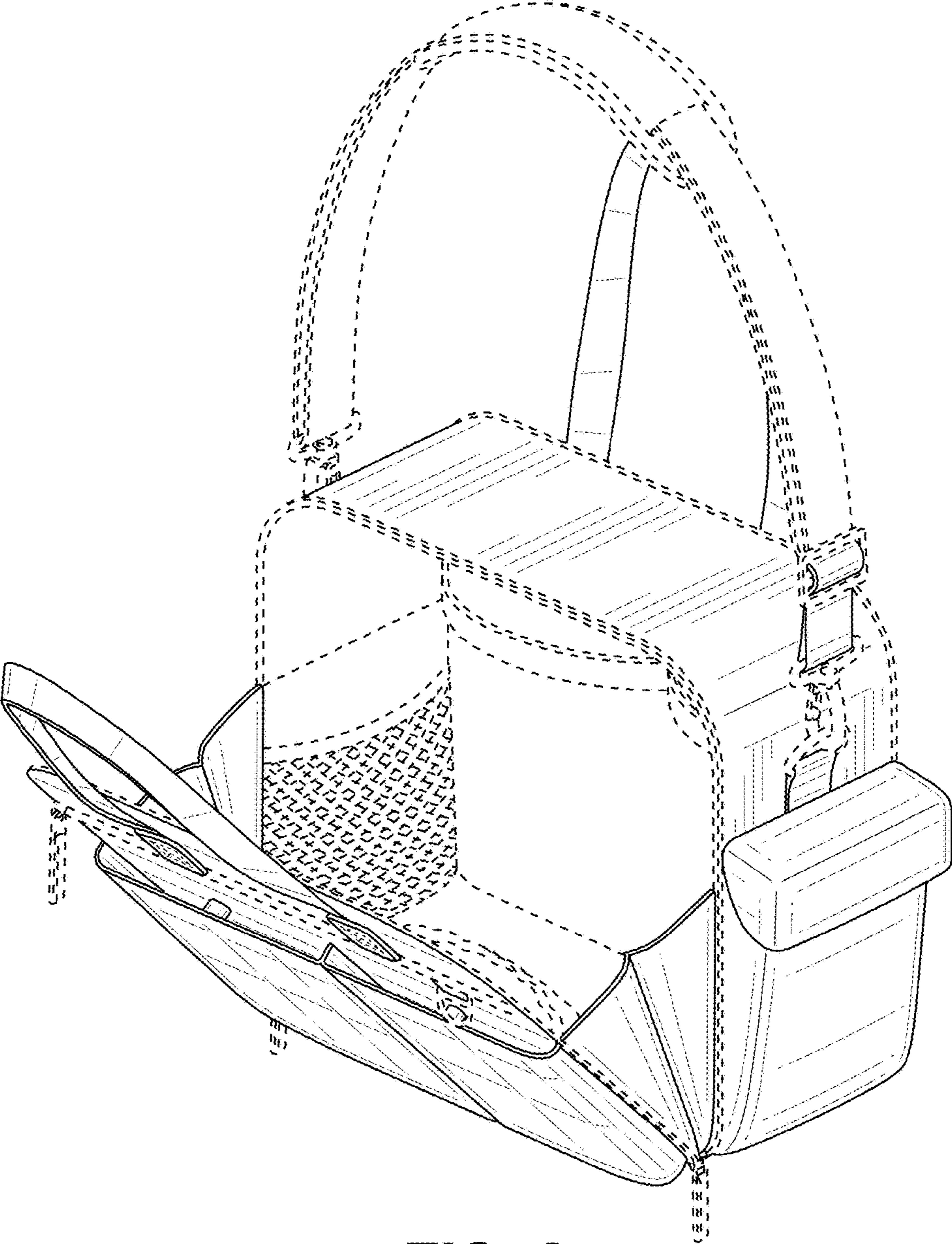


FIG. 8