



US00D862887S

(12) **United States Design Patent** (10) **Patent No.:** **US D862,887 S**  
**Stone** (45) **Date of Patent:** **\*\* Oct. 15, 2019**

(54) **CLASP AND CLASP PLATE FOR HANDBAG**

(71) Applicant: **Sophia Stone**, Palm Beach Gardens, FL (US)

(72) Inventor: **Sophia Stone**, Palm Beach Gardens, FL (US)

(\*\*) Term: **15 Years**

(21) Appl. No.: **29/643,031**

(22) Filed: **Apr. 3, 2018**

(51) **LOC (12) Cl.** ..... **03-01**

(52) **U.S. Cl.**  
USPC ..... **D3/318**

(58) **Field of Classification Search**  
USPC ..... D3/232-233, 240-243, 245-246, 318;  
D11/7

(Continued)

(56) **References Cited**

U.S. PATENT DOCUMENTS

D223,273 S \* 4/1972 Ochs ..... D10/30  
D223,274 S \* 4/1972 Ochs ..... D10/30

(Continued)

*Primary Examiner* — Holly H Baynham

(74) *Attorney, Agent, or Firm* — Ingram IP Law, P.A.

(57) **CLAIM**

I claim the ornamental design for a clasp and clasp plate for handbag, as shown and described.

**DESCRIPTION**

FIG. 1 is a perspective view of a clasp in a first position and clasp plate with a fastening plate coupled thereto, showing my new design;

FIG. 2 is a perspective view of a clasp in a second position and clasp plate with a fastening plate coupled thereto;

FIG. 3 is a perspective view of a clasp in a first position separated from a clasp plate with a fastening plate coupled thereto;

FIG. 4 is a perspective view of a clasp plate with a fastening plate coupled thereto;

FIG. 5 is a front view of a clasp plate for handbag;

FIG. 6 is a rear view thereof;

FIG. 7 is a right side view of a clasp plate with a fastening plate coupled thereto;

FIG. 8 is a left side view of a clasp plate with a fastening plate coupled thereto;

FIG. 9 is a top view of a clasp plate with a fastening plate coupled thereto;

FIG. 10 is a bottom view of a clasp plate with a fastening plate coupled thereto;

FIG. 11 is a perspective view of a clasp for handbag in a first position;

FIG. 12 is a front view of a clasp for handbag in a first position;

FIG. 13 is a rear view thereof;

FIG. 14 is a left side view thereof;

FIG. 15 is a right side view thereof;

FIG. 16 is a top view thereof;

FIG. 17 is a bottom view thereof;

FIG. 18 is a perspective view of a clasp for handbag in a second position;

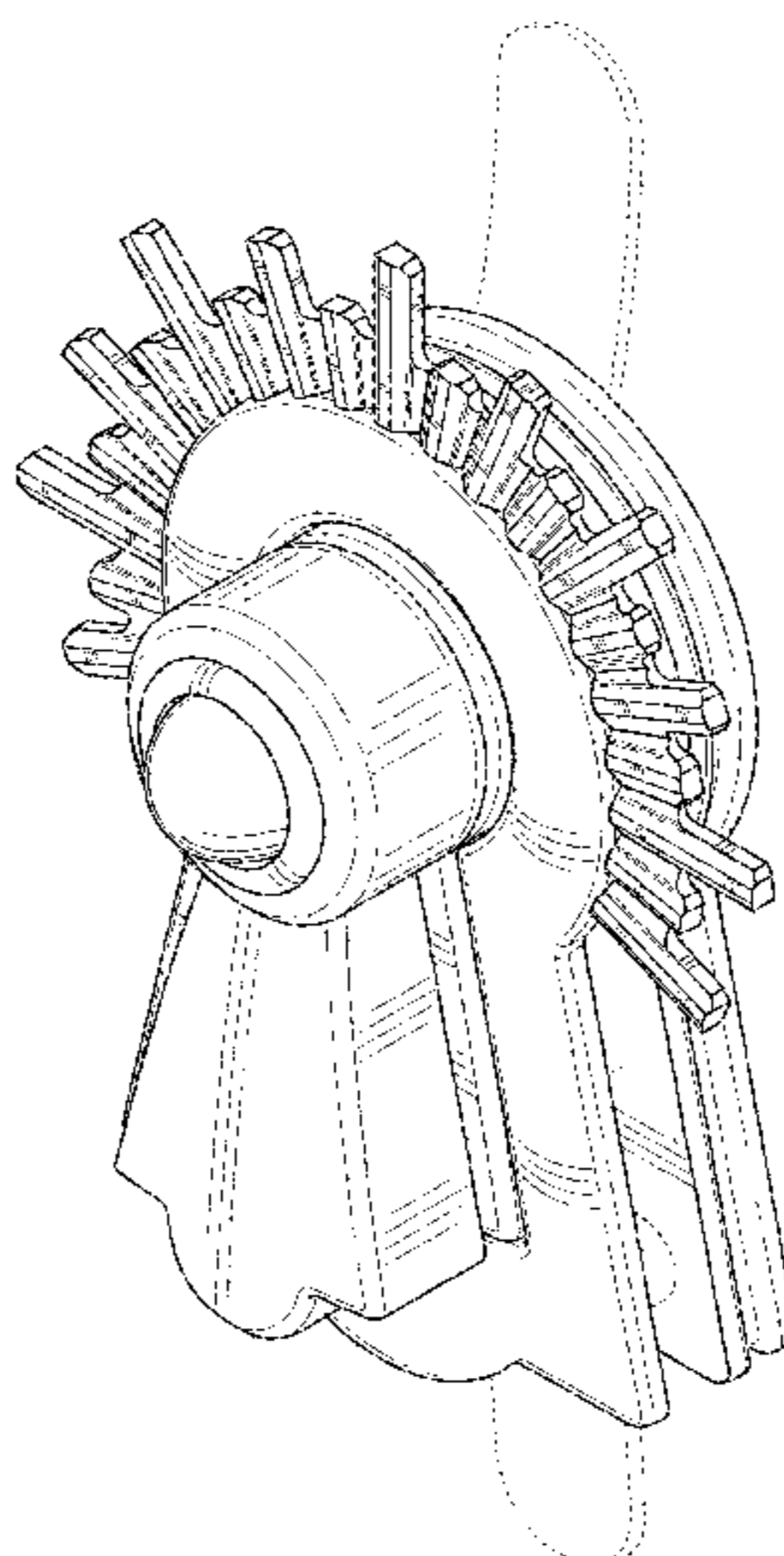
FIG. 19 is a perspective view of a clasp in a first position and clasp plate for handbag illustrating my new design in the environment of a handbag;

FIG. 20 is a perspective view of a clasp in a second position and clasp plate for handbag illustrating my new design in the environment of a handbag; and,

FIG. 21 is a perspective view of a clasp plate for handbag illustrating my new design in the environment of a handbag. Broken lines are used to illustrate environment and unclaimed portions of the clasp and clasp plate for handbag. Broken lines, and any boundary created thereby, form no part of the claimed design.

The elements of the claimed design are shown separately for ease and clarity of illustration.

**1 Claim, 21 Drawing Sheets**



(58) **Field of Classification Search**

CPC . A45F 5/10; A44B 11/18; A44B 11/02; A45C  
13/10; A45C 13/06; A44C 1/00; A44C  
5/20; A44C 5/2009; A44C 5/2014; A44C  
25/007; A44C 25/005; A44C 25/004;  
A44C 3/00; A44C 3/001; A44C 3/002

See application file for complete search history.

(56) **References Cited**

U.S. PATENT DOCUMENTS

D517,940	S	*	3/2006	Stern	.....	D11/86
D702,045	S	*	4/2014	Armani	.....	D3/318
D835,914	S	*	12/2018	Fusi	.....	D3/318
D836,342	S	*	12/2018	Fusi	.....	D3/318

\* cited by examiner

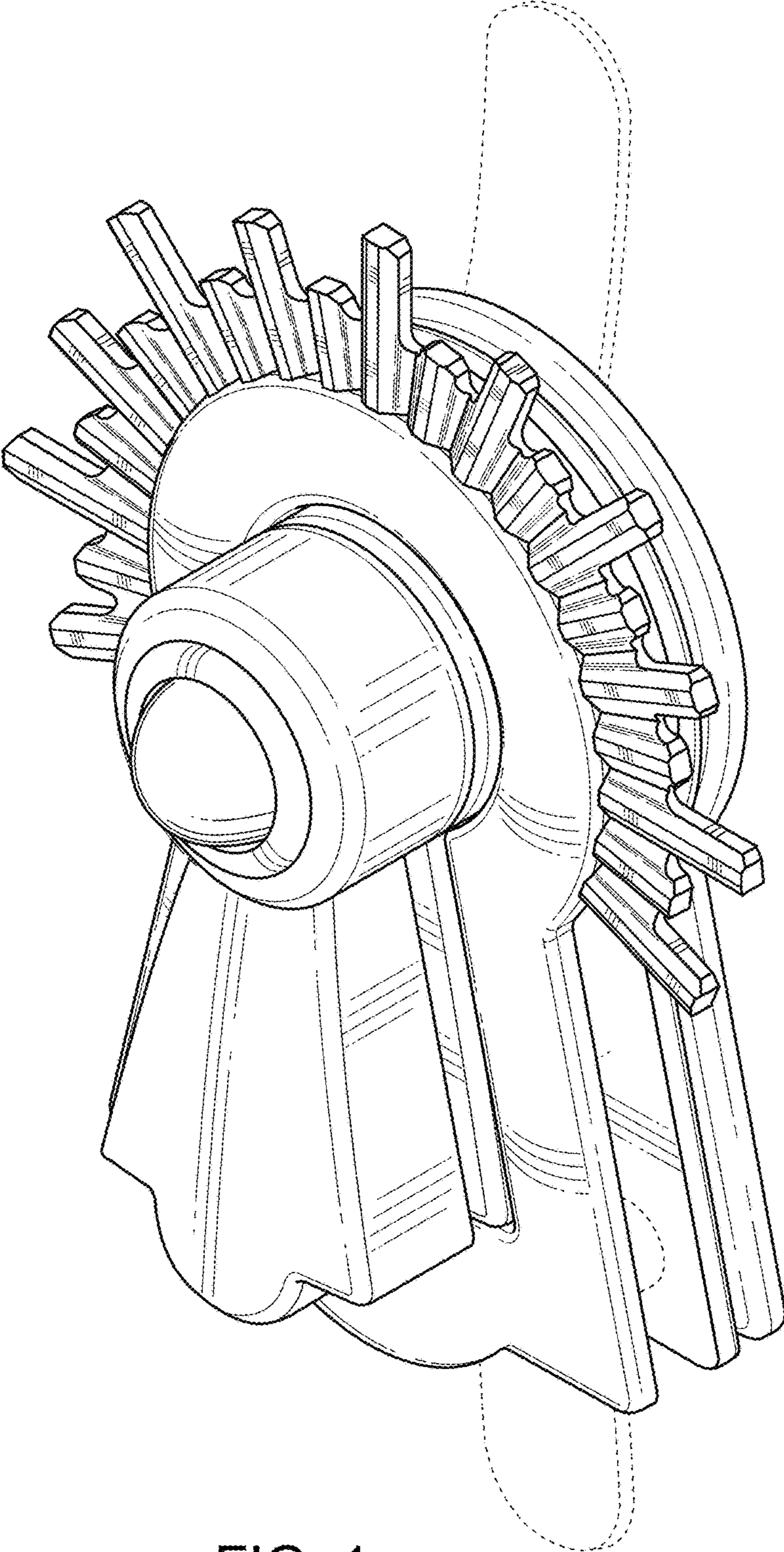


FIG. 1

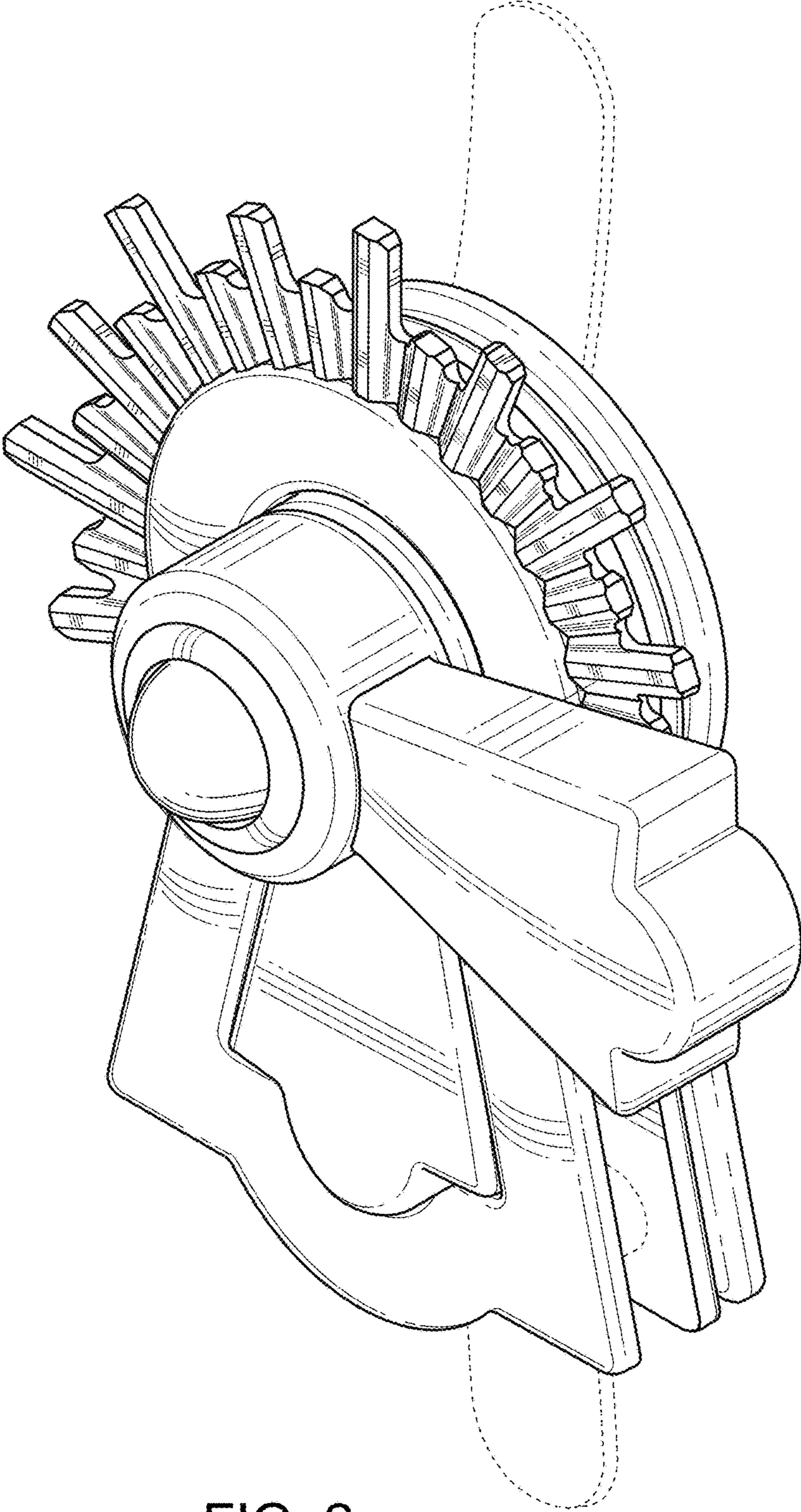


FIG. 2

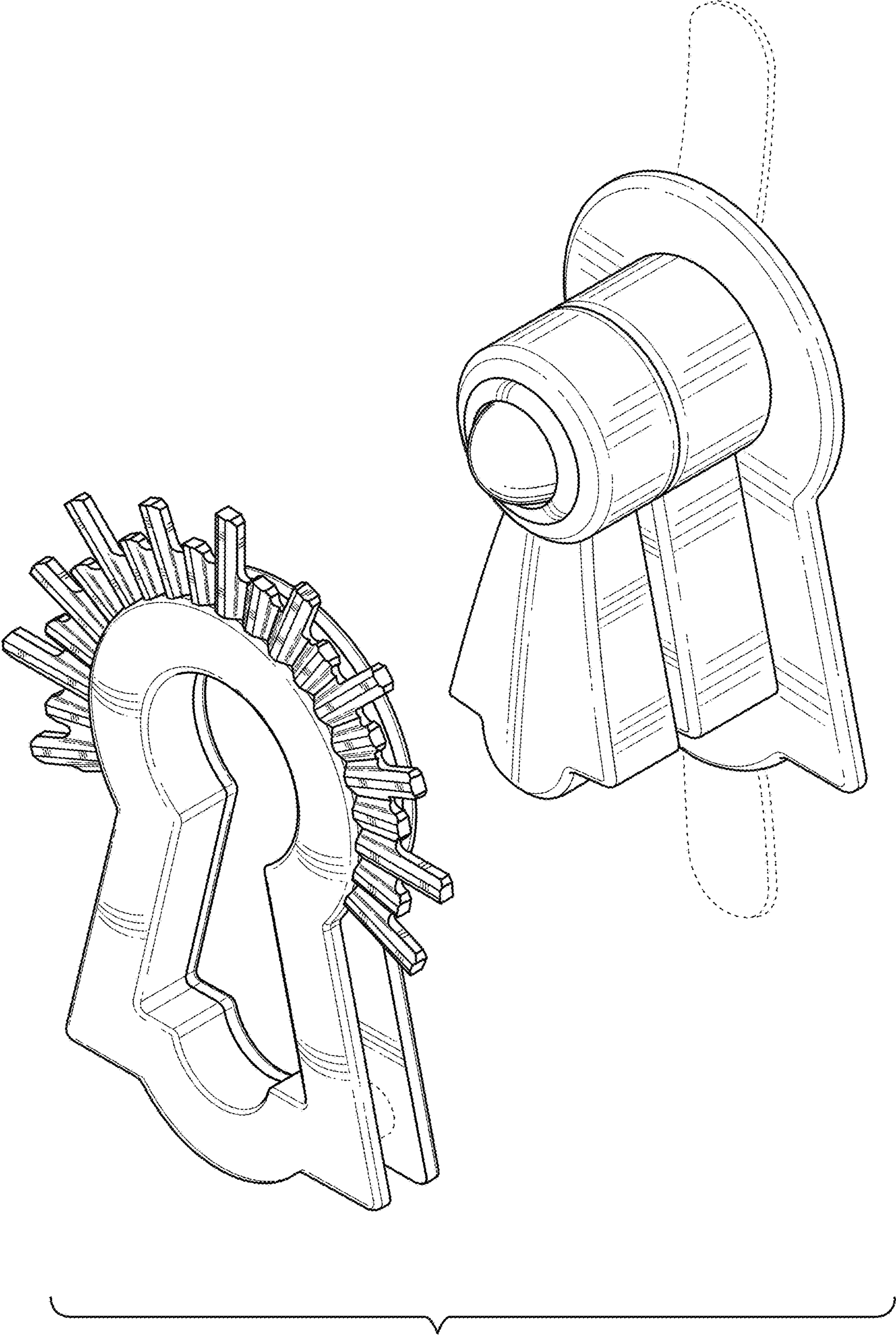


FIG. 3

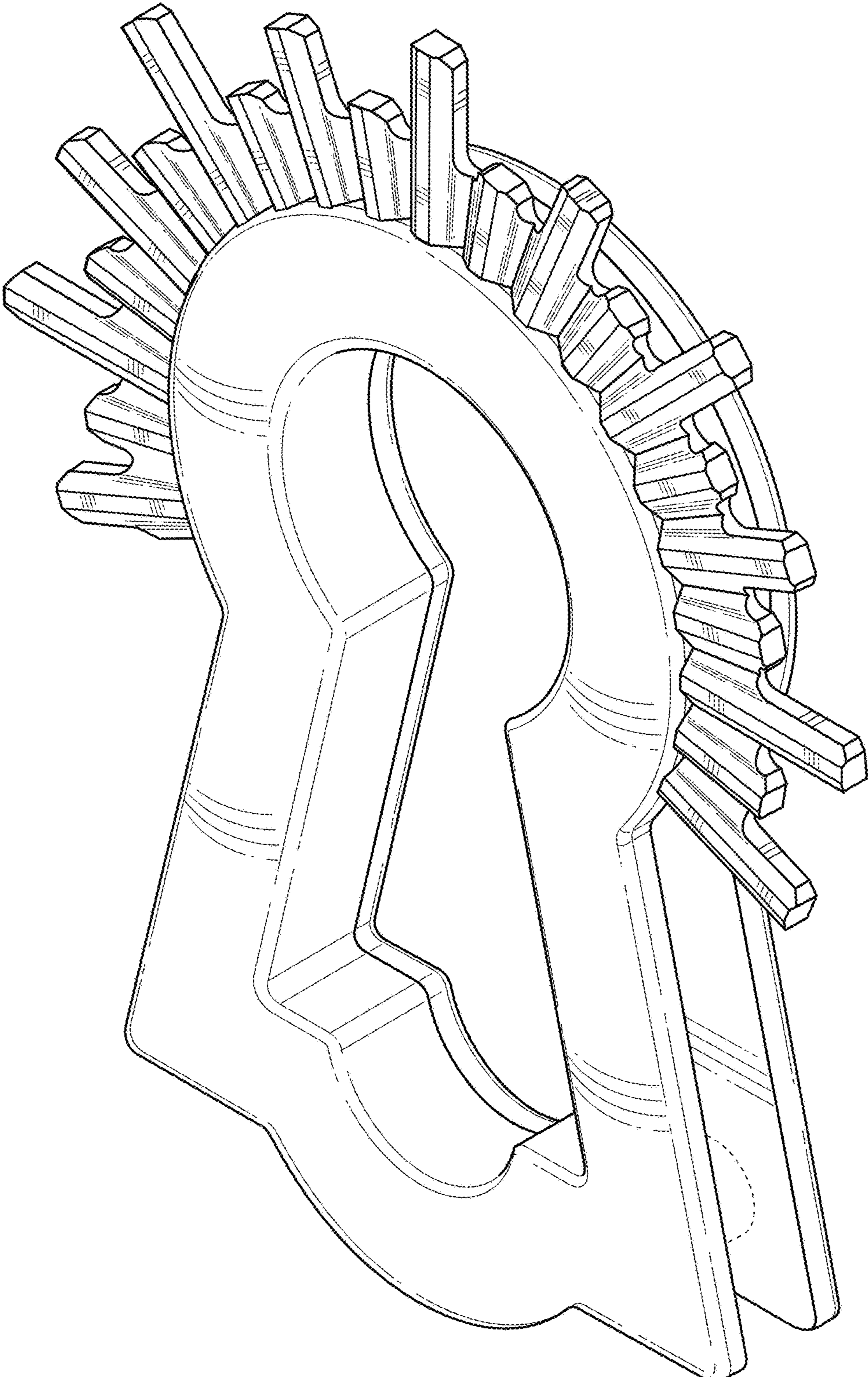


FIG. 4

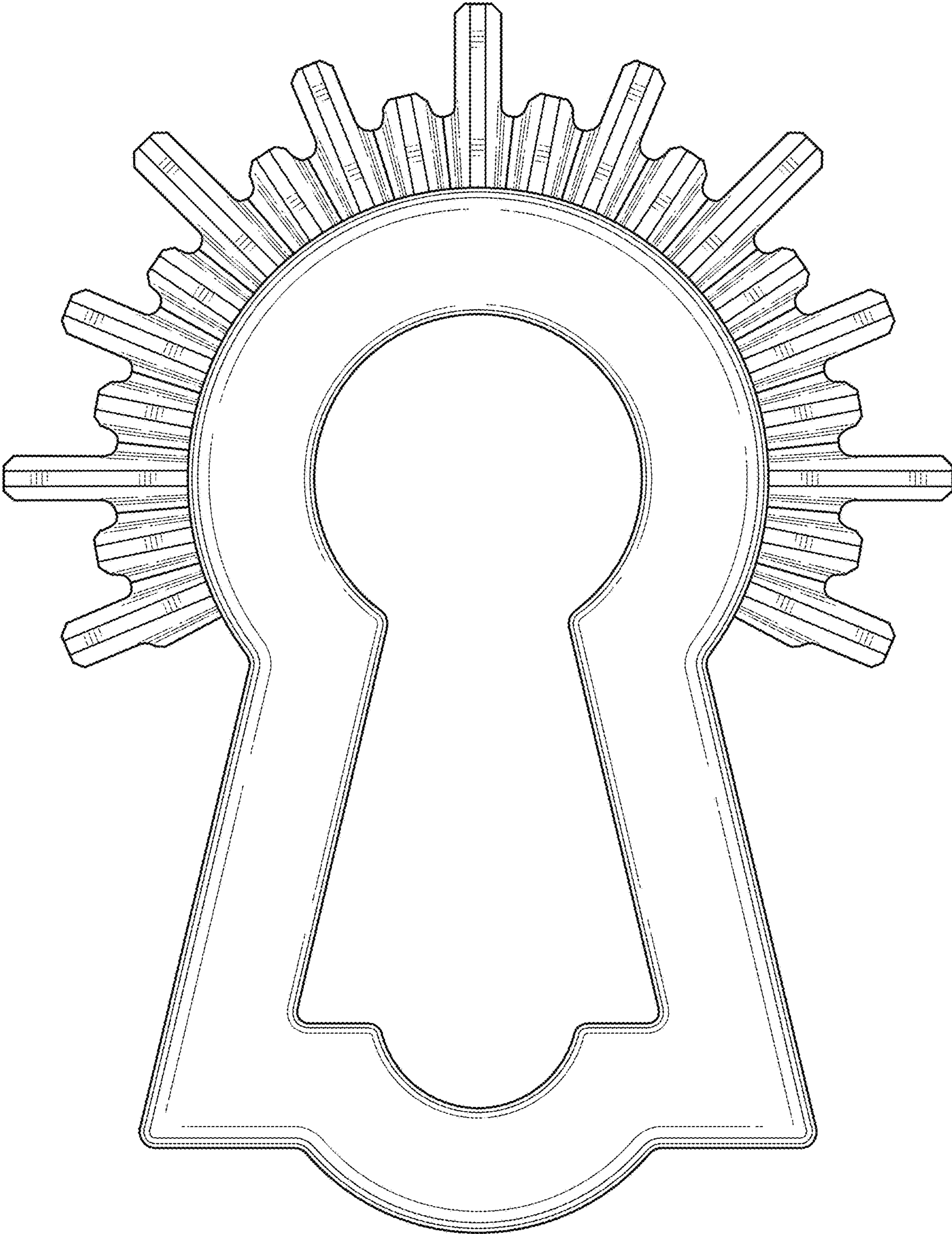


FIG. 5

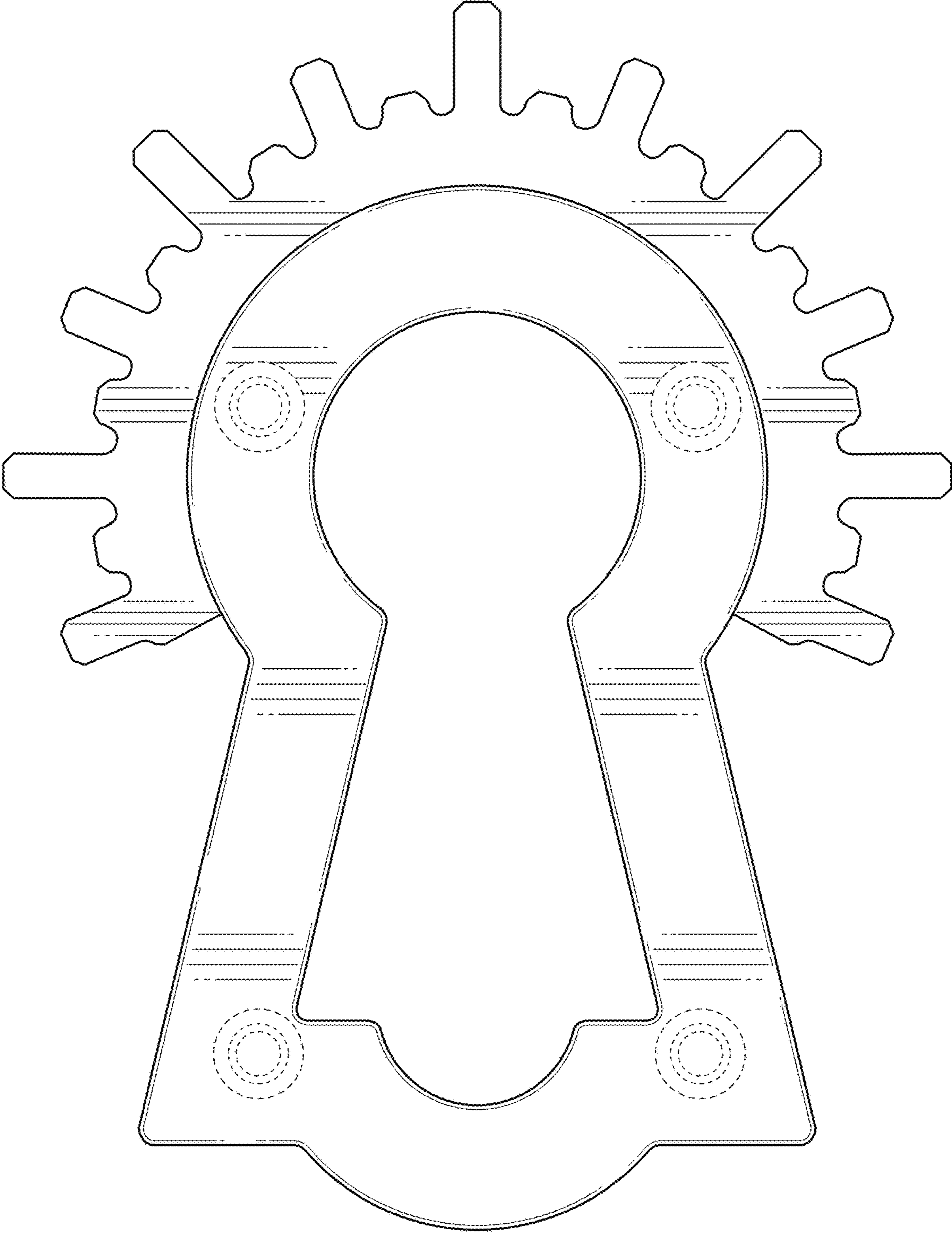


FIG. 6



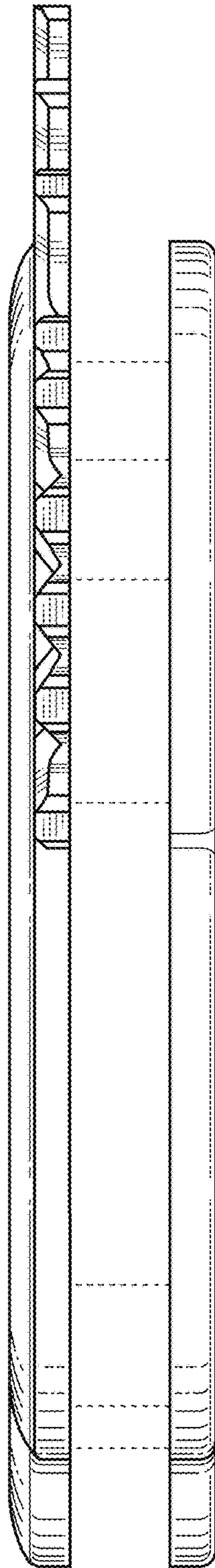


FIG. 7

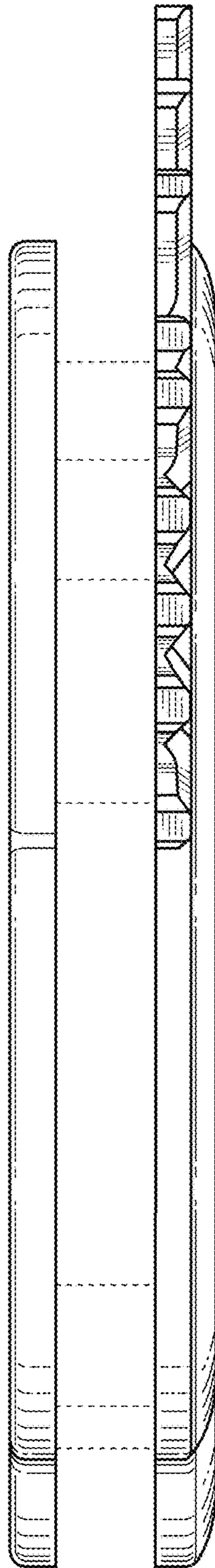


FIG. 8

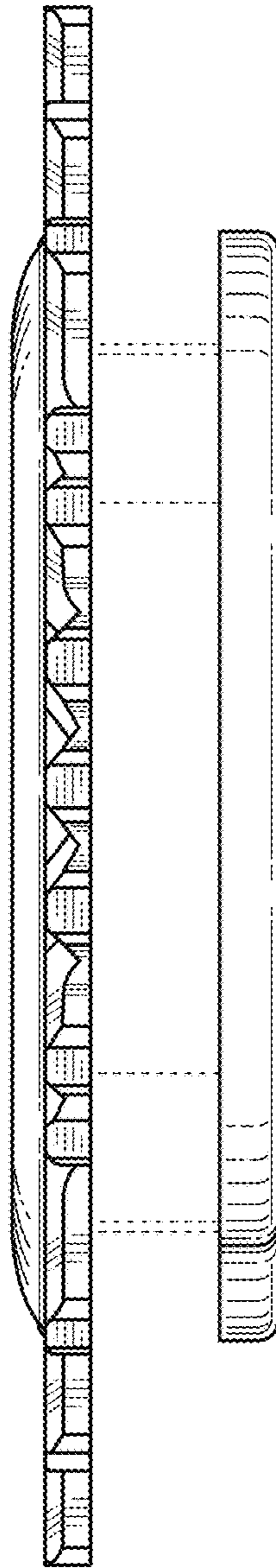


FIG. 9

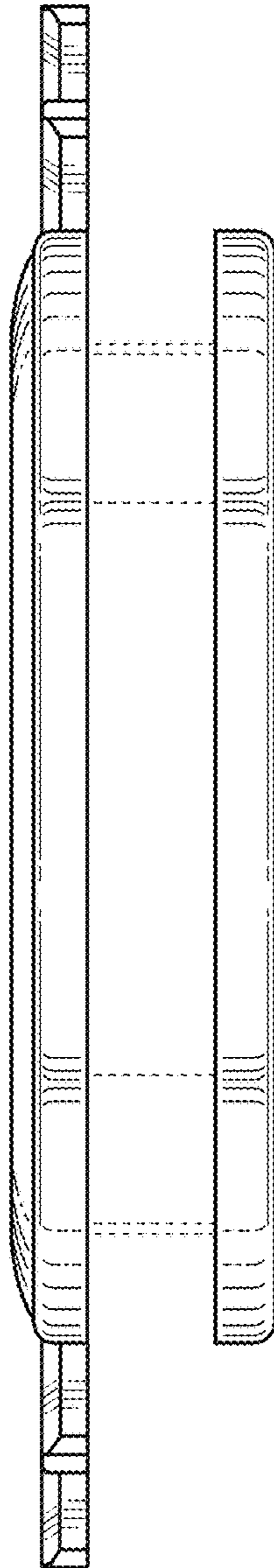


FIG. 10

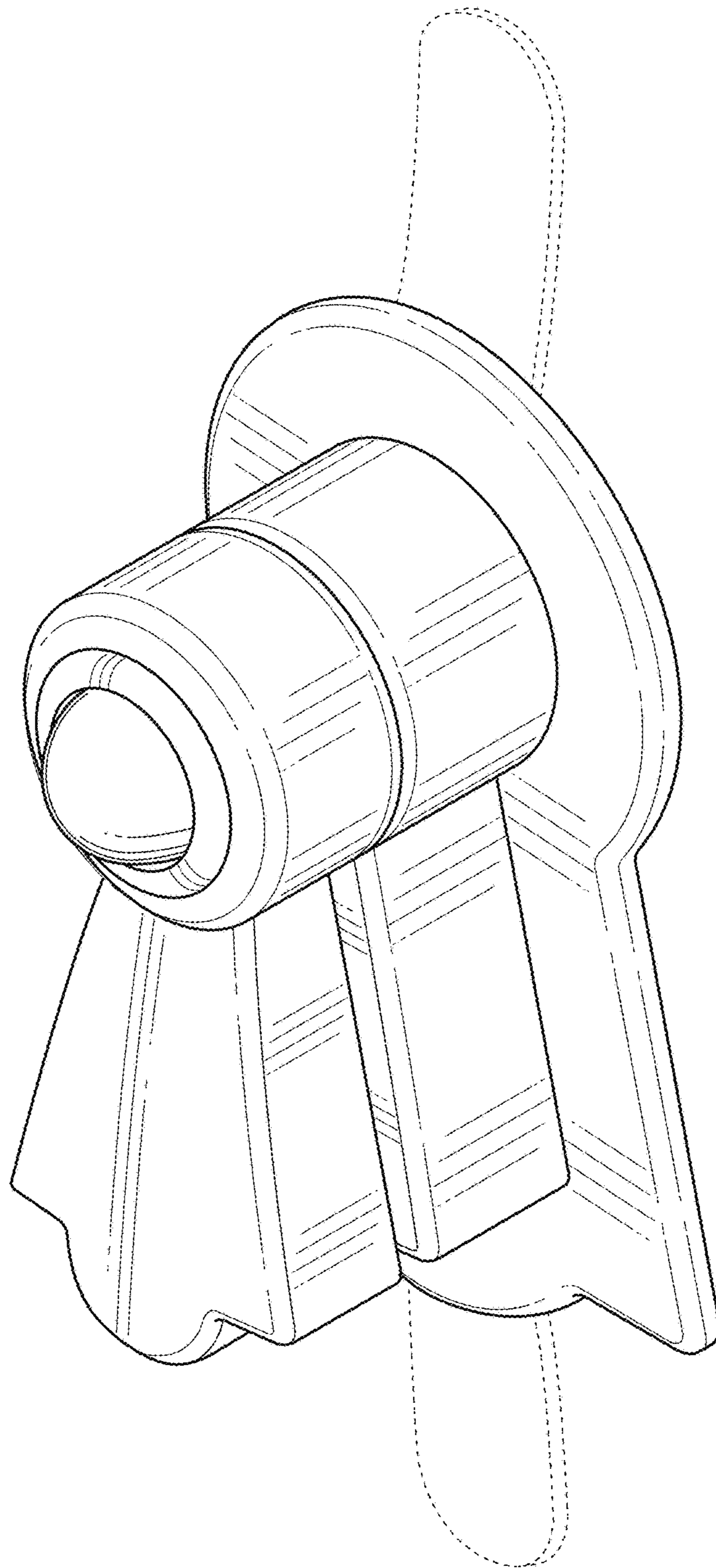


FIG. 11

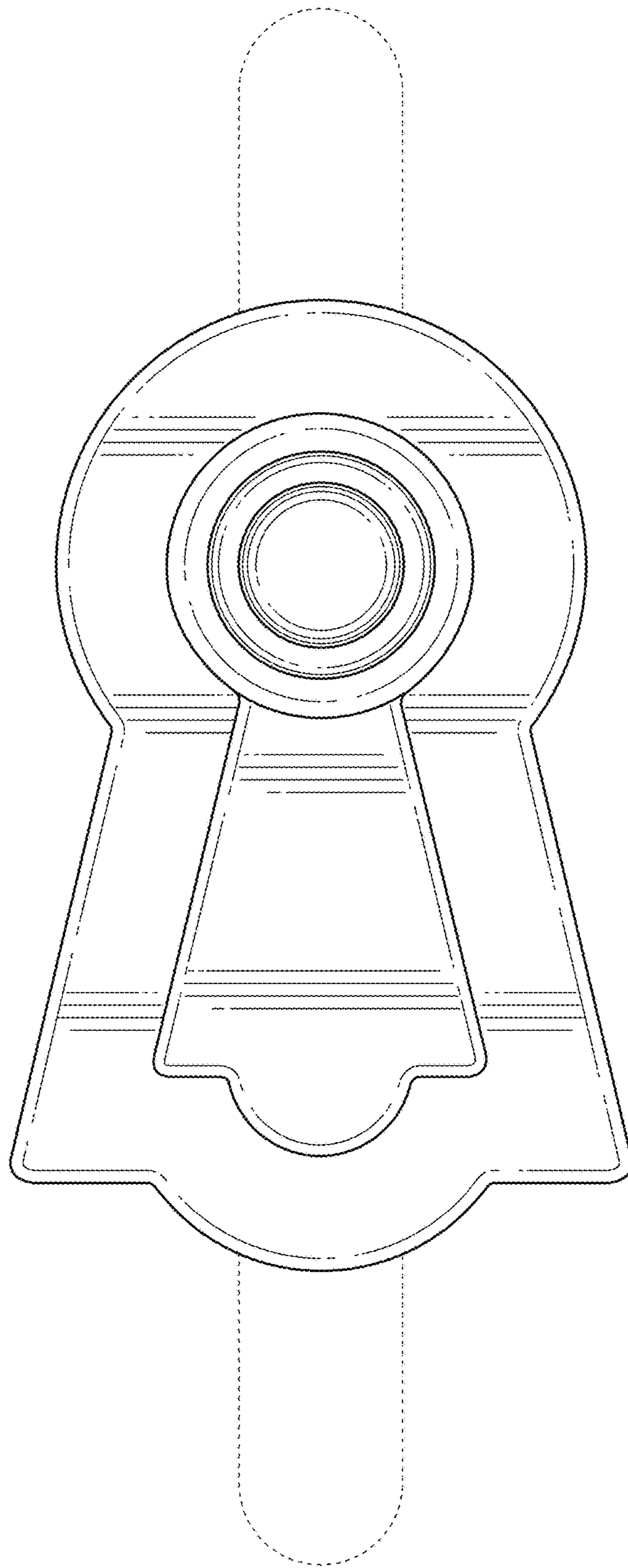


FIG. 12

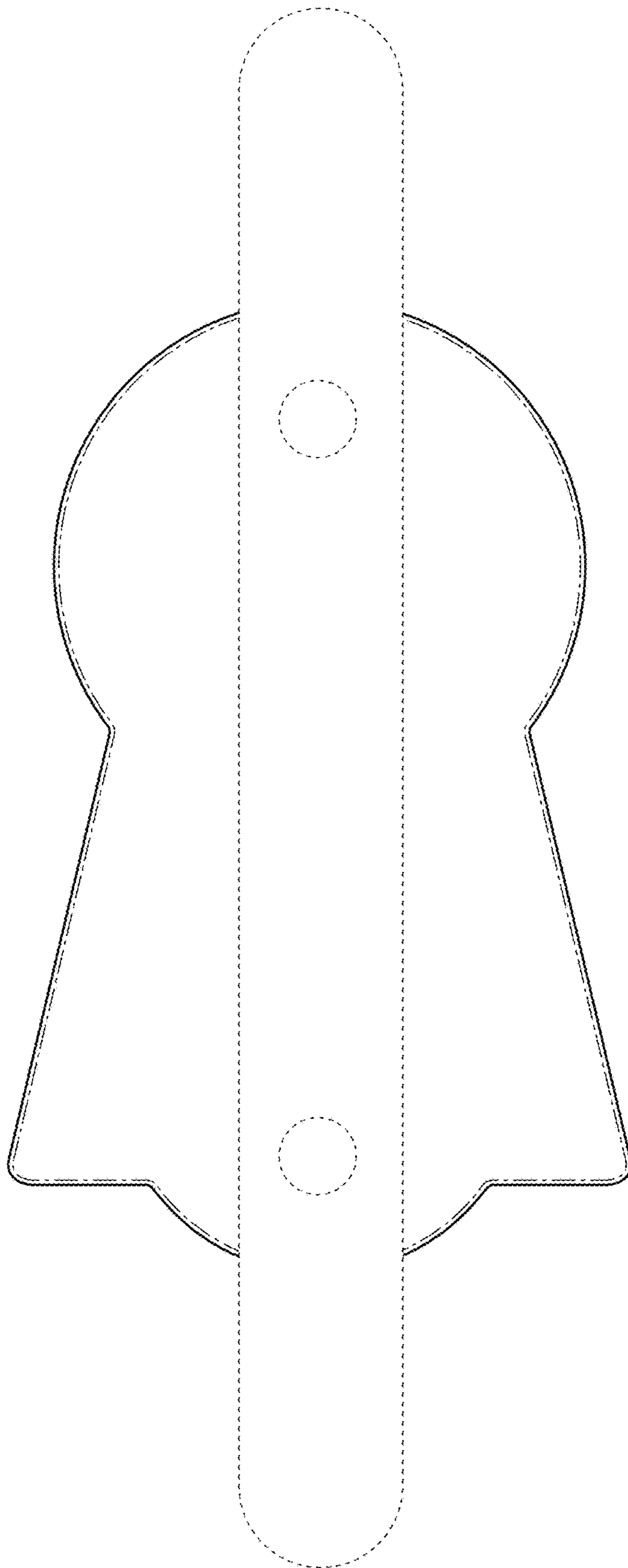


FIG. 13

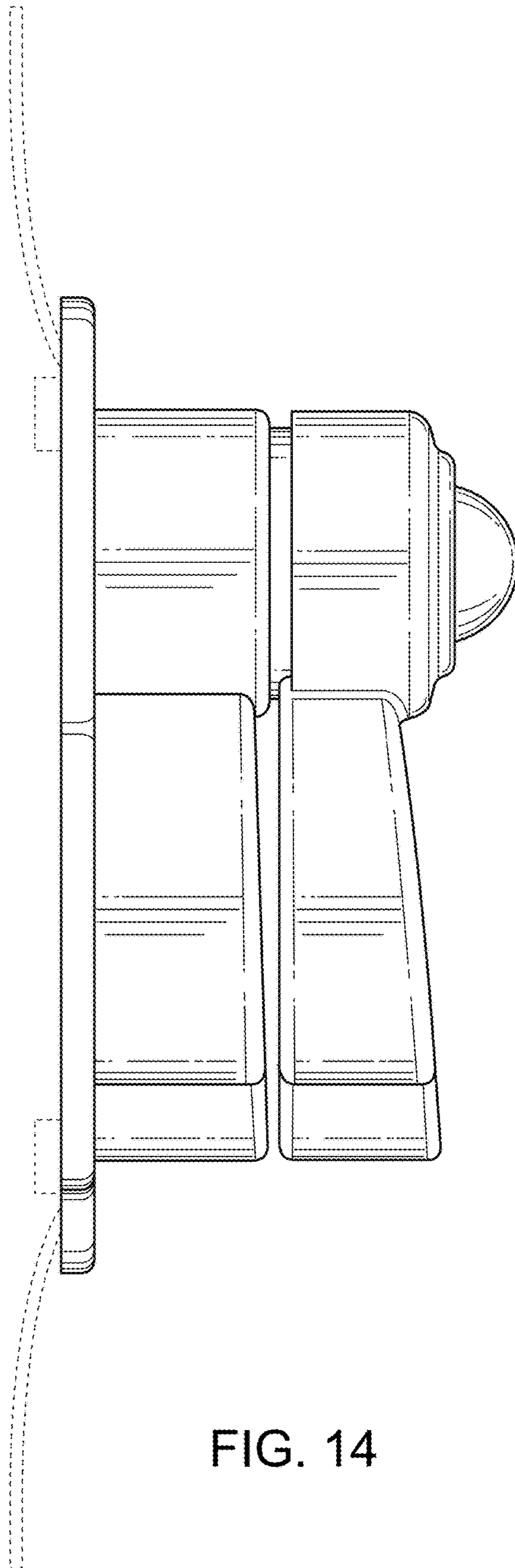


FIG. 14



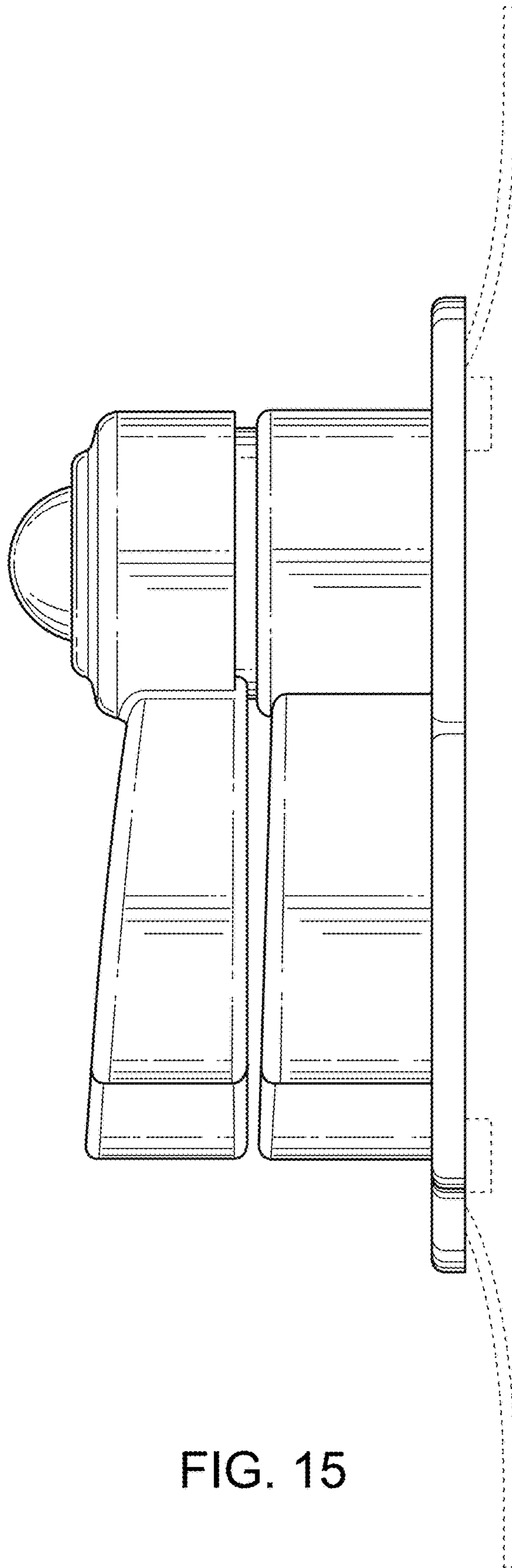


FIG. 15

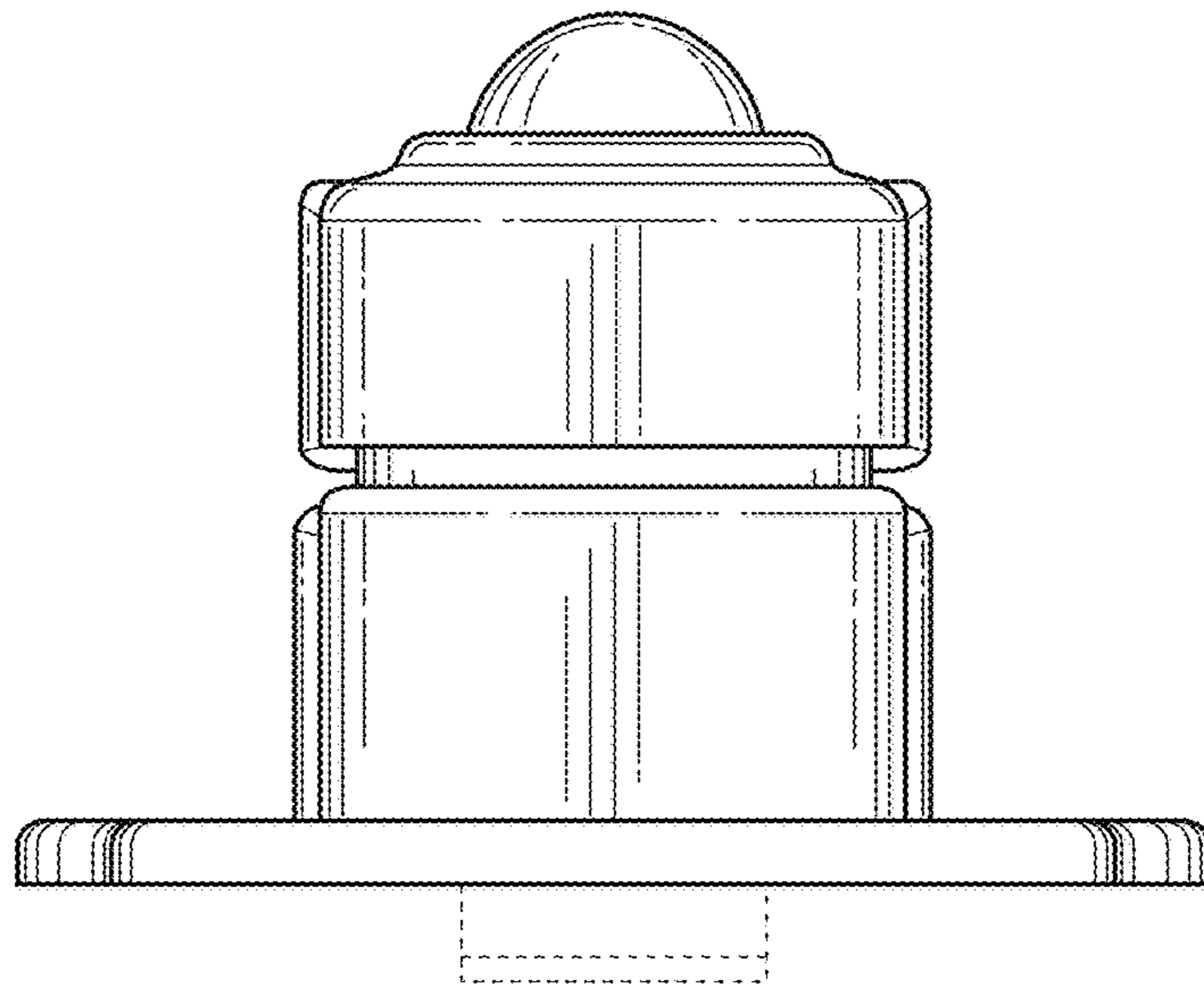


FIG. 16

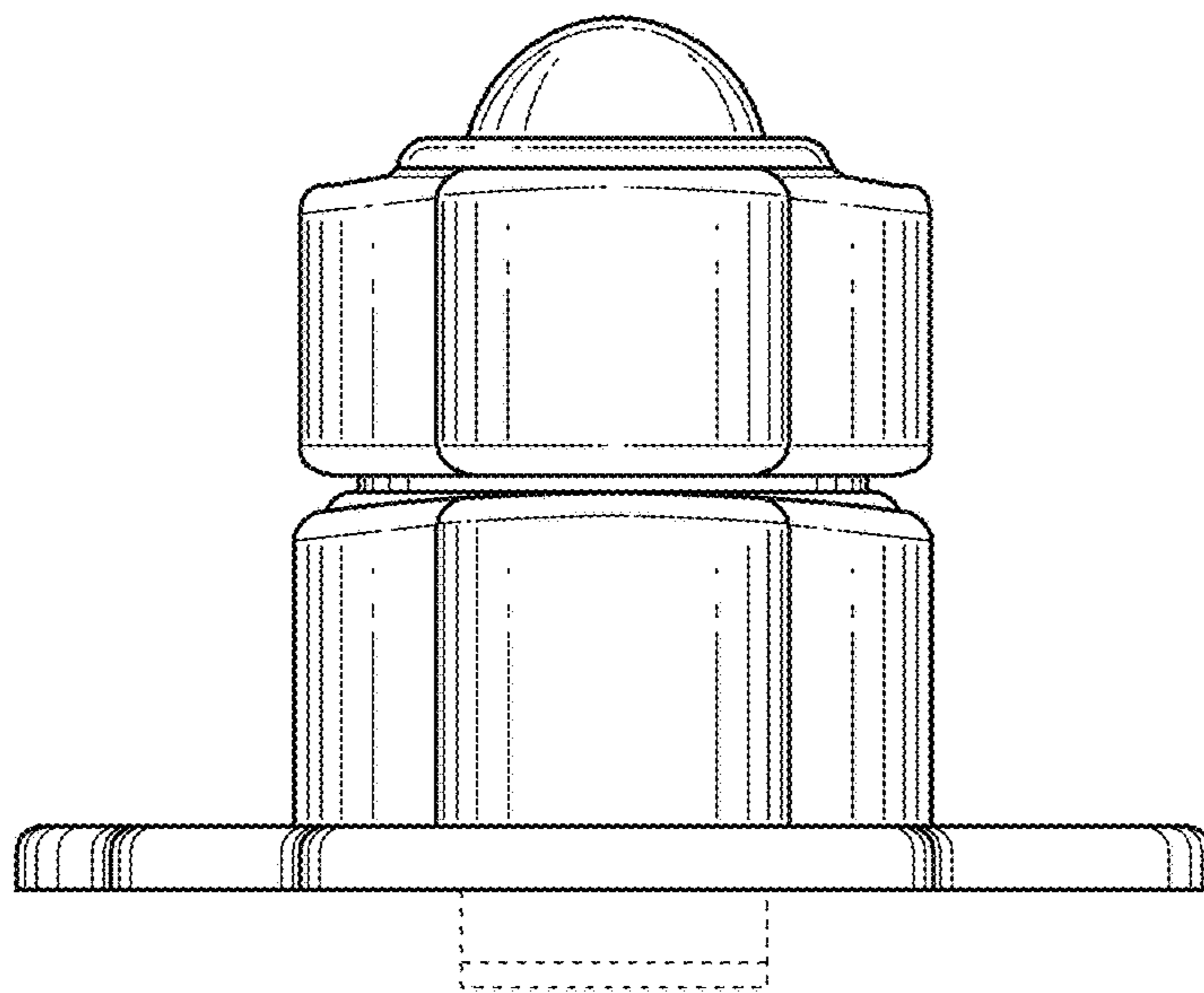


FIG. 17

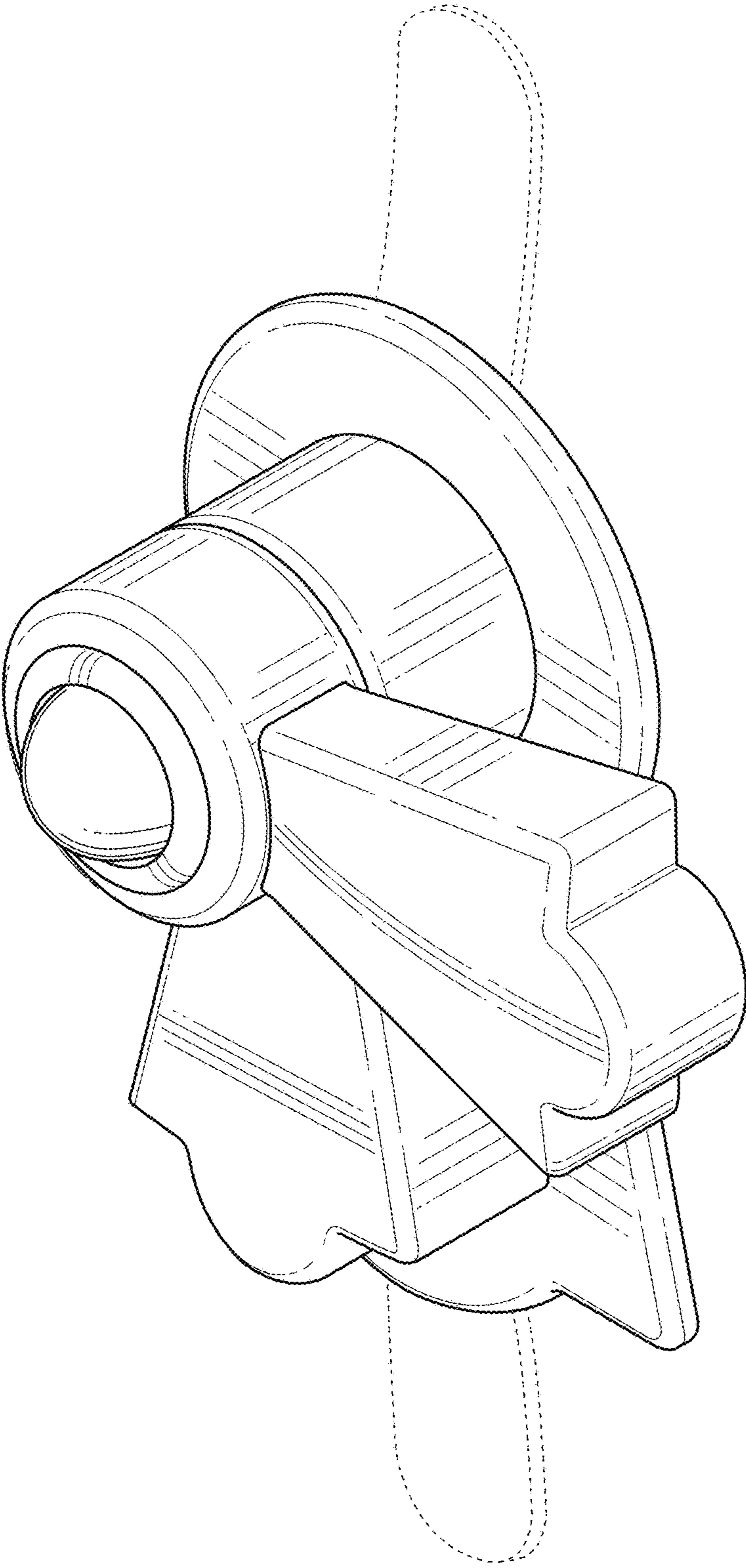


FIG. 18

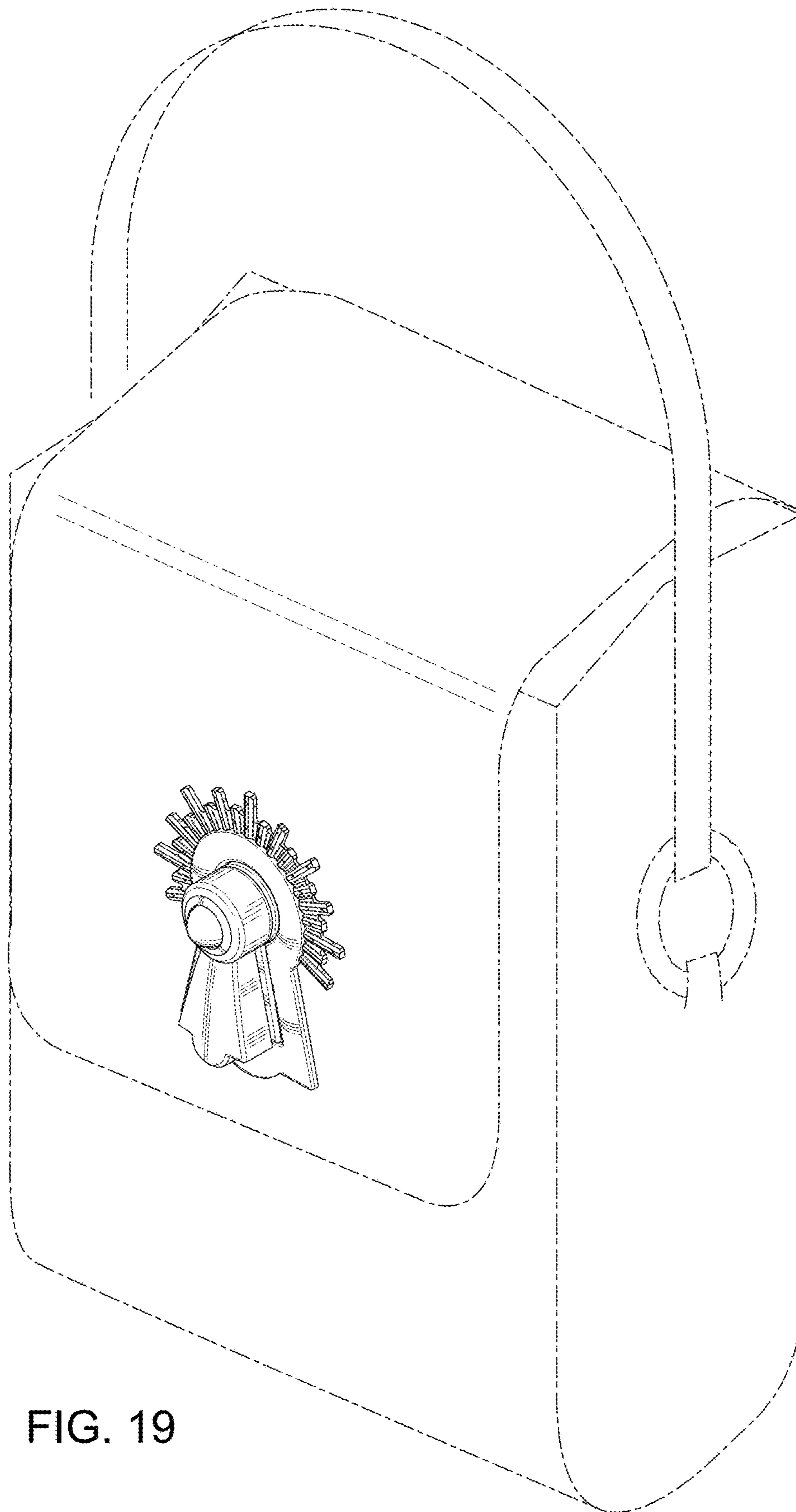


FIG. 19

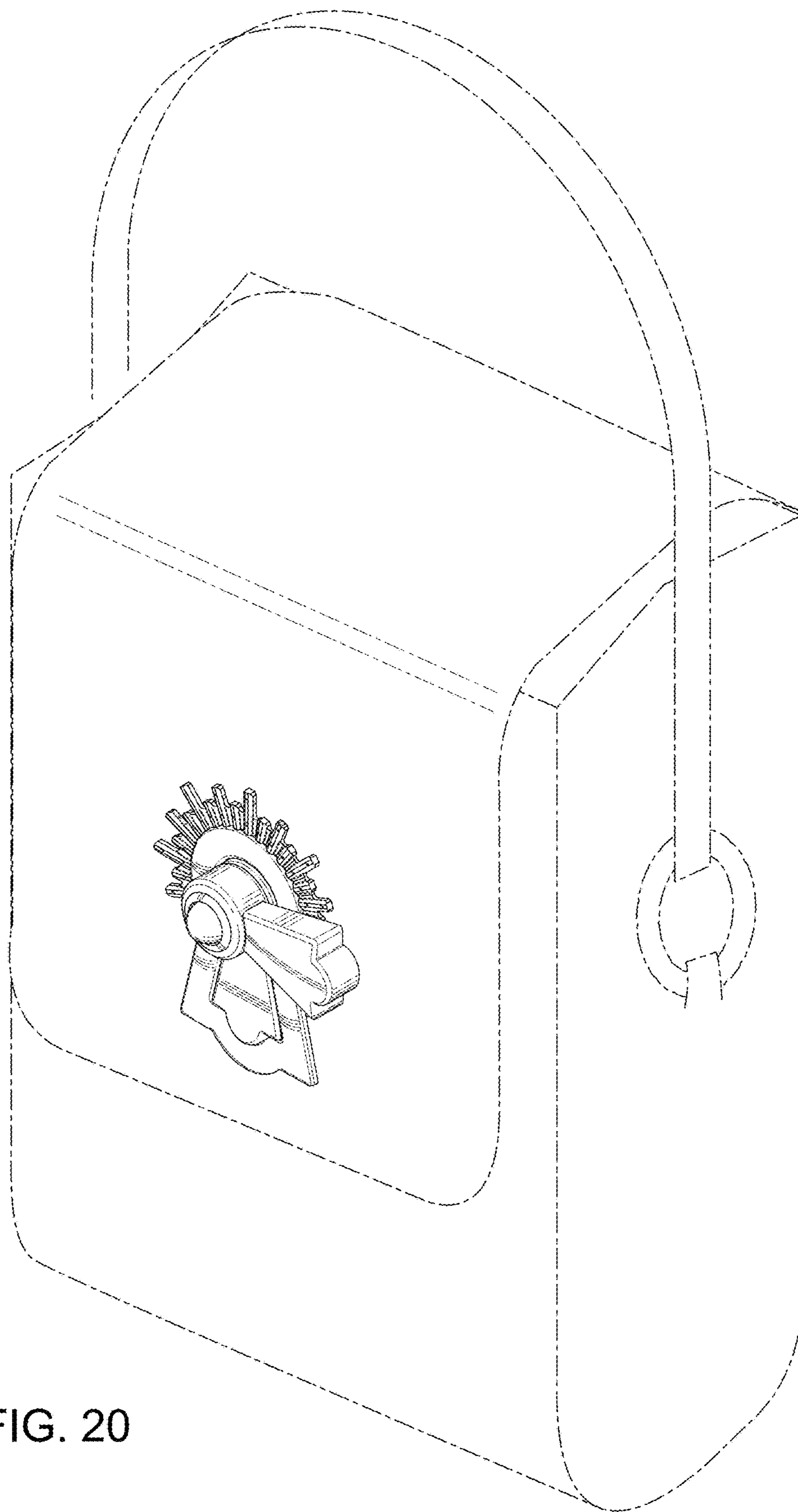


FIG. 20

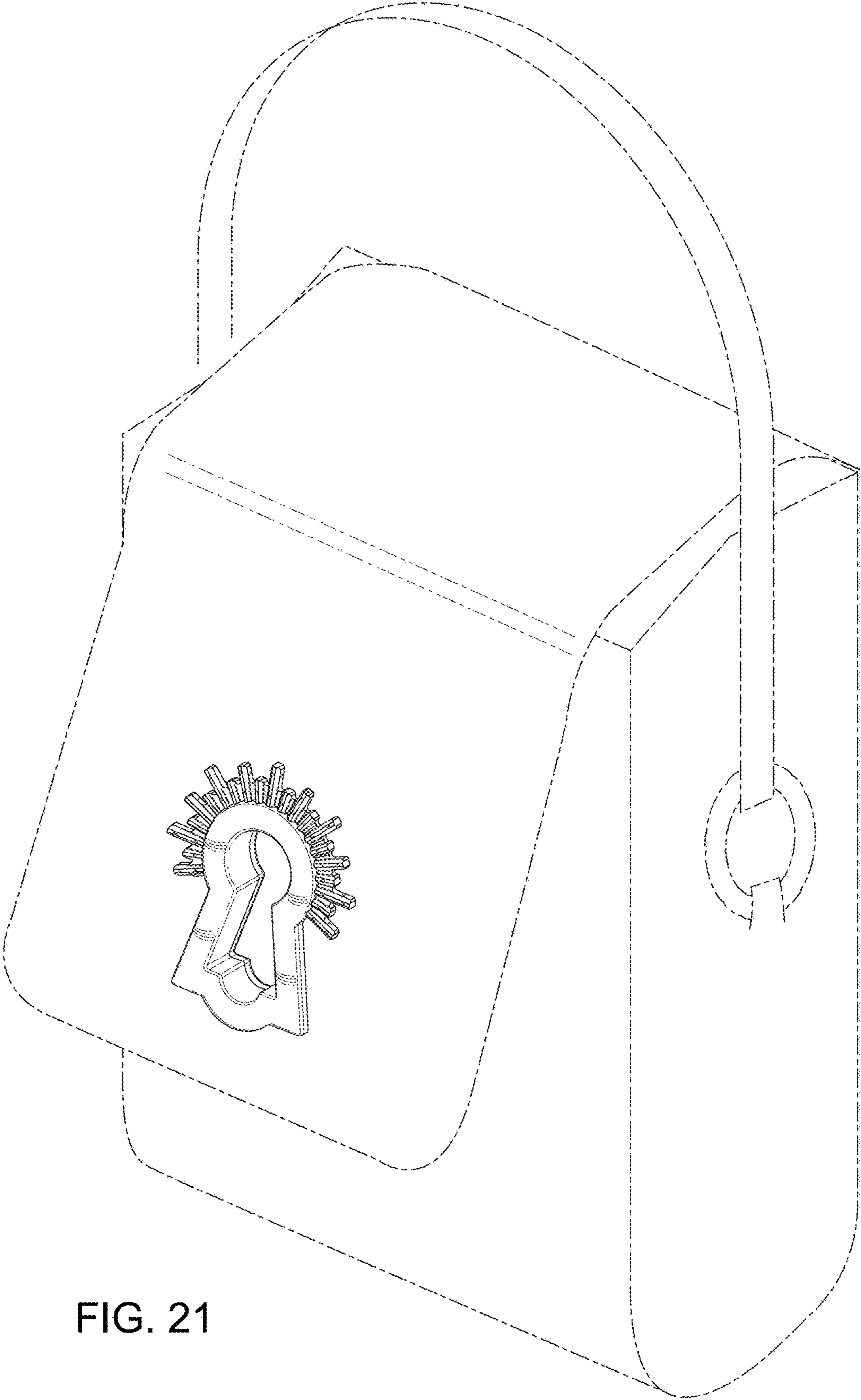


FIG. 21