

US00D862885S

(12) **United States Design Patent**
Breeden, III et al.

(10) **Patent No.:** **US D862,885 S**

(45) **Date of Patent:** **** Oct. 15, 2019**

(54) **STORAGE CASE**

(71) Applicant: **WINSTON PRODUCTS, LLC**,
Cleveland, OH (US)

(72) Inventors: **Winston H. Breeden, III**, Chagrin Falls, OH (US); **Curtis P. Taylor**, Chagrin Falls, OH (US); **Matthew G. Hanson**, Chagrin Falls, OH (US); **Ryan Chepla**, Orange Village, OH (US); **Colleen Kurniawan**, Cleveland, OH (US); **David Drabousky**, Twinsburg, OH (US)

(73) Assignee: **WINSTON PRODUCTS, LLC**,
Cleveland, OH (US)

(**) Term: **15 Years**

(21) Appl. No.: **29/567,871**

(22) Filed: **Jun. 13, 2016**

(51) **LOC (12) Cl.** **03-01**

(52) **U.S. Cl.**

USPC **D3/318**

(58) **Field of Classification Search**

USPC D3/273, 285, 289, 294, 318

CPC G06F 1/16; H05K 7/16; A45C 5/00; A45C 5/14; B65D 21/04; B65D 21/02; B65D 21/0235; B65D 21/0233; B25H 3/02

See application file for complete search history.

(56) **References Cited**

U.S. PATENT DOCUMENTS

D442,776 S *	5/2001	Cosentino	D3/211
D471,004 S *	3/2003	Cosentino	D3/211
D603,144 S *	11/2009	South	D2/882
8,699,230 B2 *	4/2014	Cheng	G06F 1/1633 174/135

D705,527 S *	5/2014	Clark	D2/866
8,739,971 B2 *	6/2014	Fujii	B25H 3/003 206/368
D718,021 S *	11/2014	Werczberger	D2/882
D729,501 S *	5/2015	Abel	D2/866
D754,422 S *	4/2016	Zenoff	D2/882
D764,770 S *	8/2016	Zenoff	D2/866

* cited by examiner

Primary Examiner — Holly H Baynham

(74) *Attorney, Agent, or Firm* — Tucker Ellis LLP

(57) **CLAIM**

The ornamental design for a storage case, as shown and described.

DESCRIPTION

FIG. 1 is a perspective view of a storage case showing our new design.

FIG. 2 is a front view thereof.

FIG. 3 is a rear view thereof.

FIG. 4 is a left side view thereof.

FIG. 5 is a right side view thereof.

FIG. 6 is a top view thereof.

FIG. 7 is a bottom side view thereof.

FIG. 8 is a perspective view of another storage case showing our new design.

FIG. 9 is a front view thereof.

FIG. 10 is a rear view thereof.

FIG. 11 is a left side view thereof.

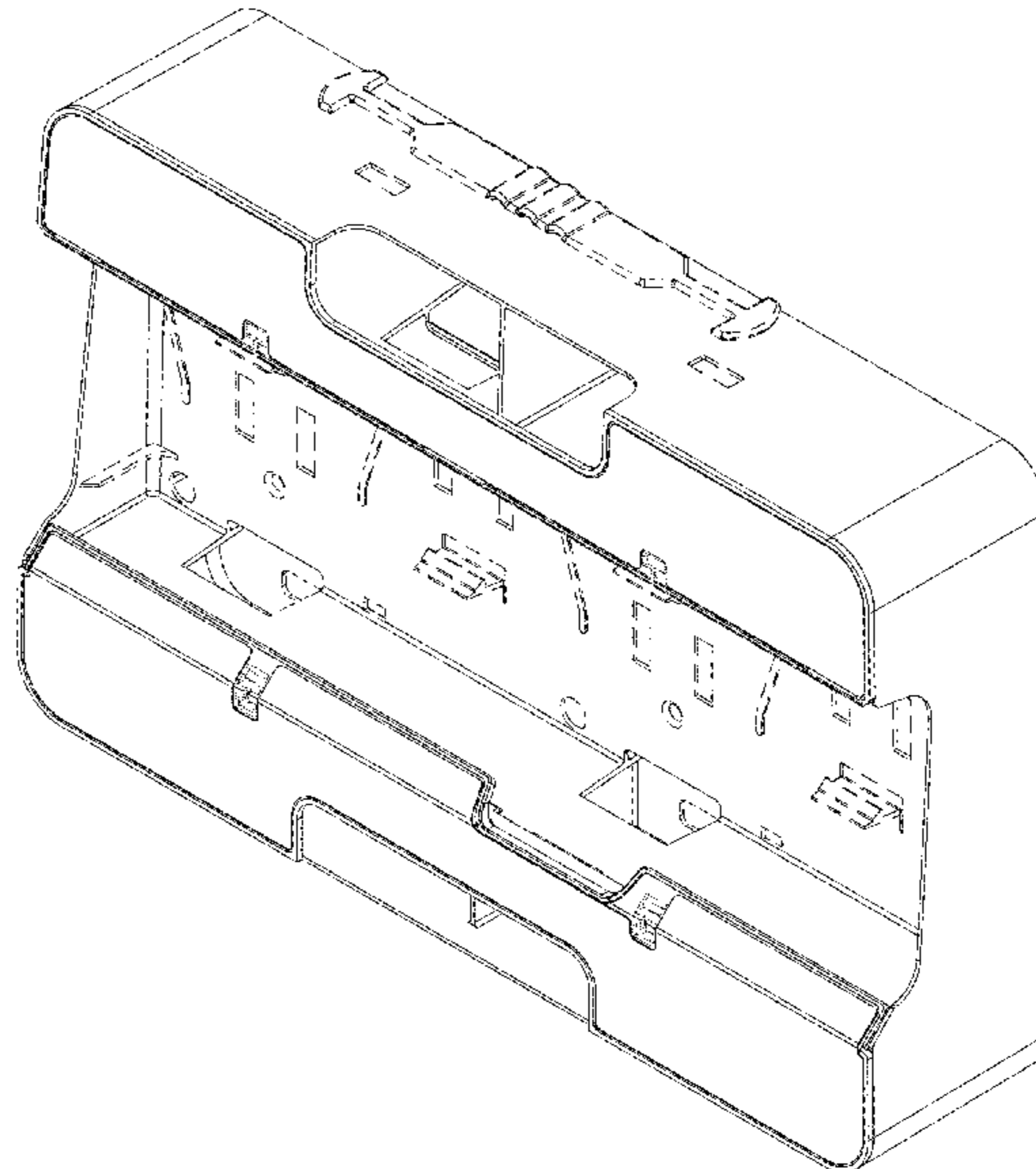
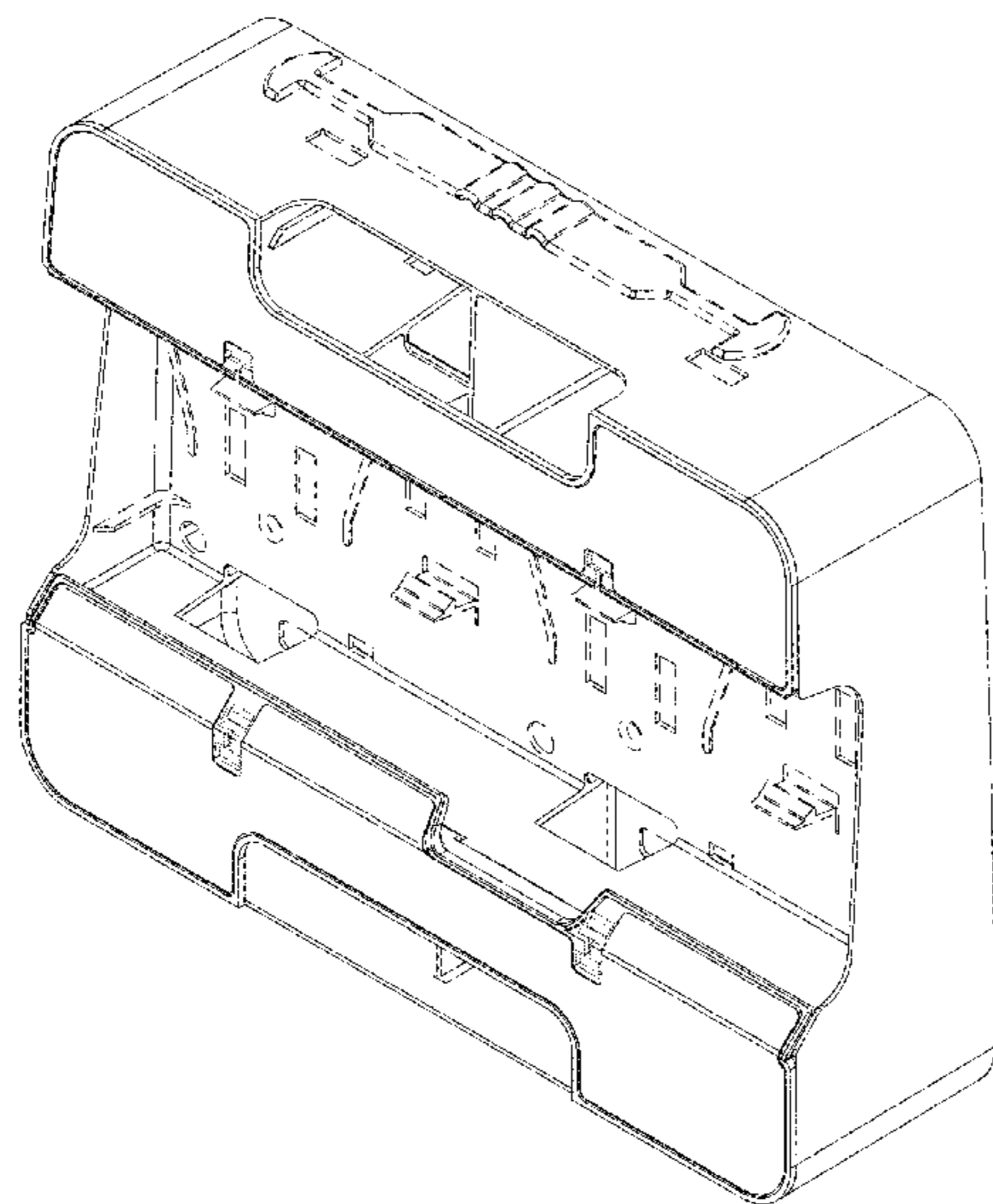
FIG. 12 is a right side view thereof.

FIG. 13 is a top view thereof; and,

FIG. 14 is a bottom side view thereof.

The broken lines showing portions of the storage case are for the purposes of illustrating environment and form no part of the claimed design.

1 Claim, 8 Drawing Sheets



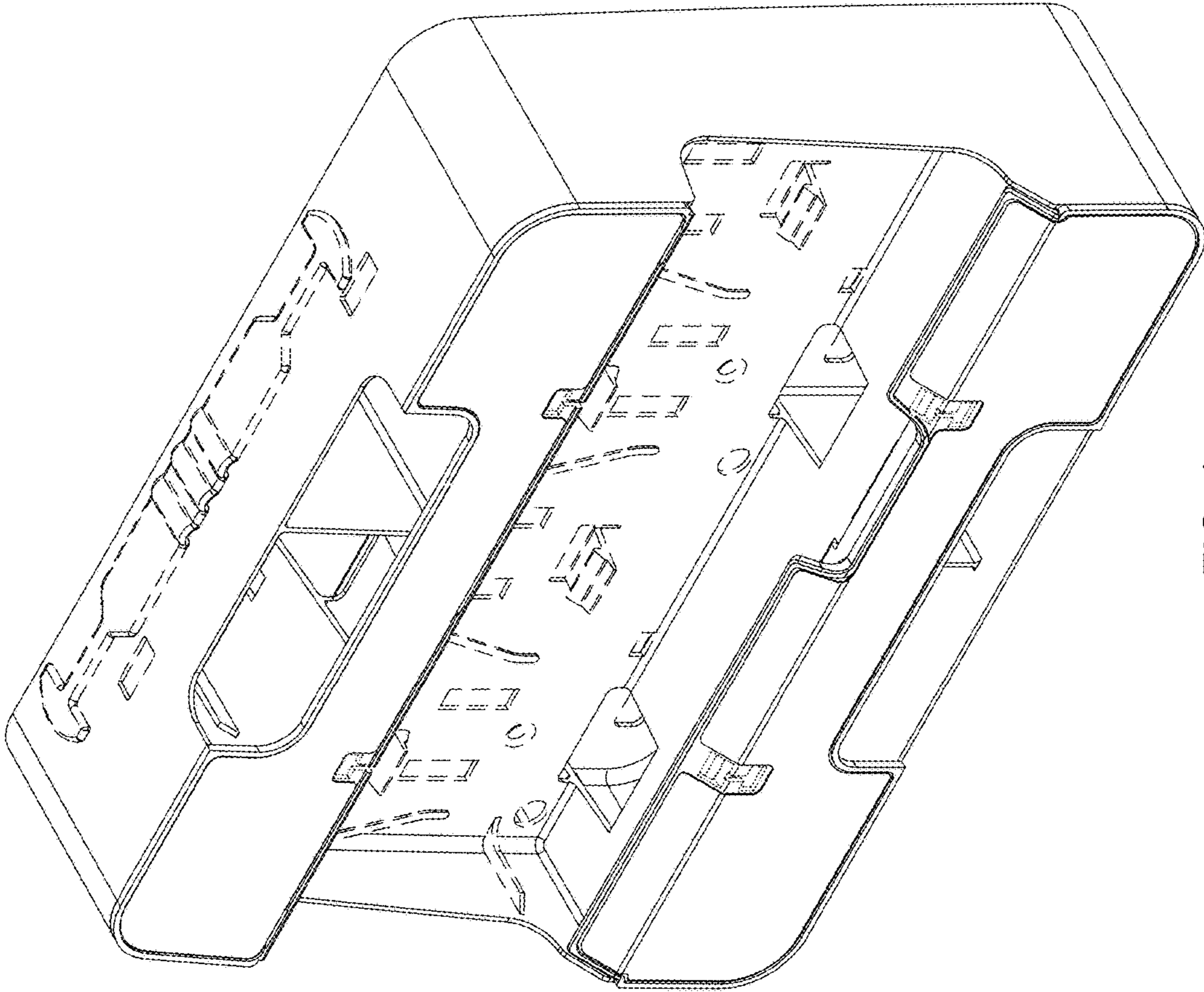


FIG. 1

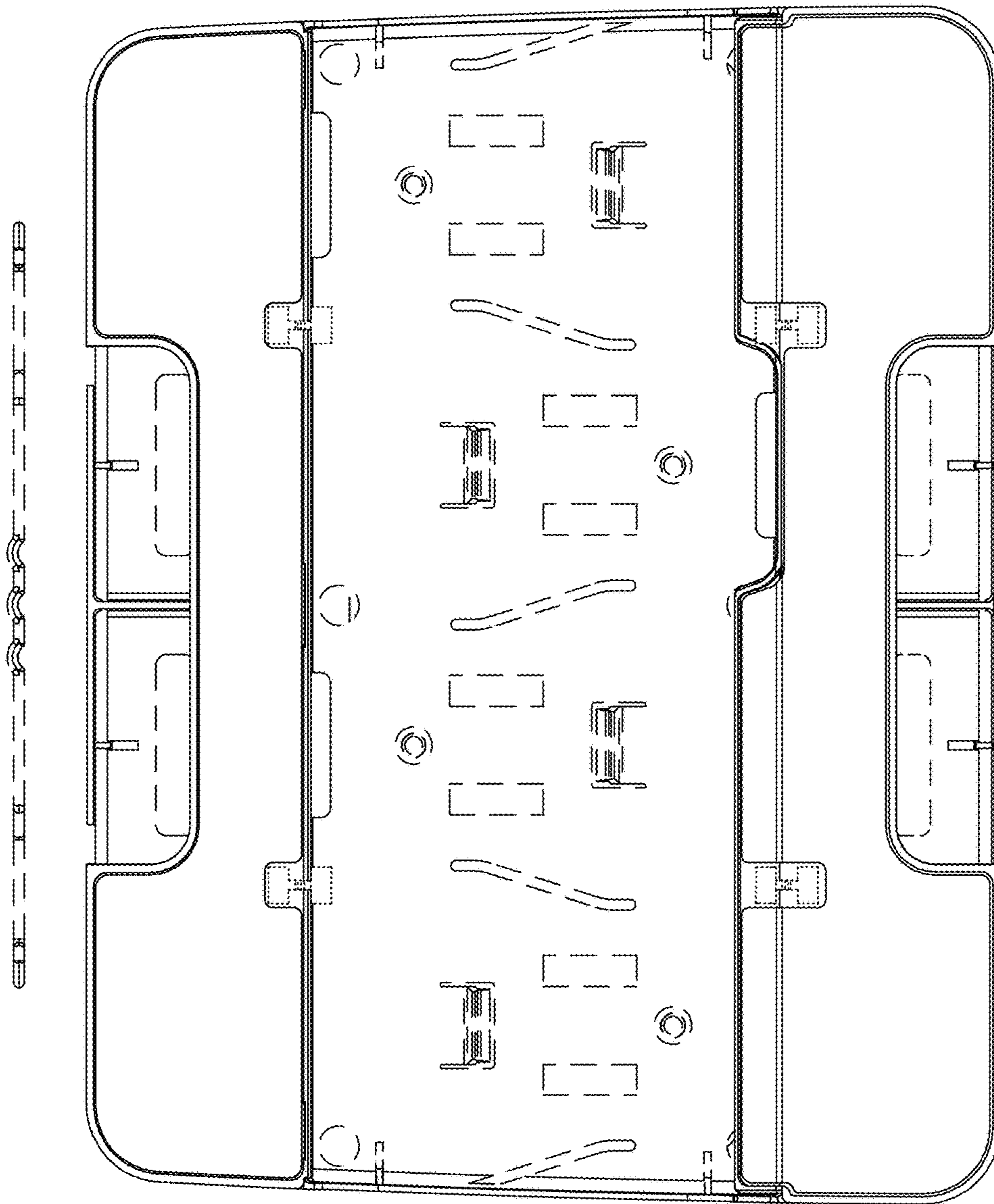


FIG. 2

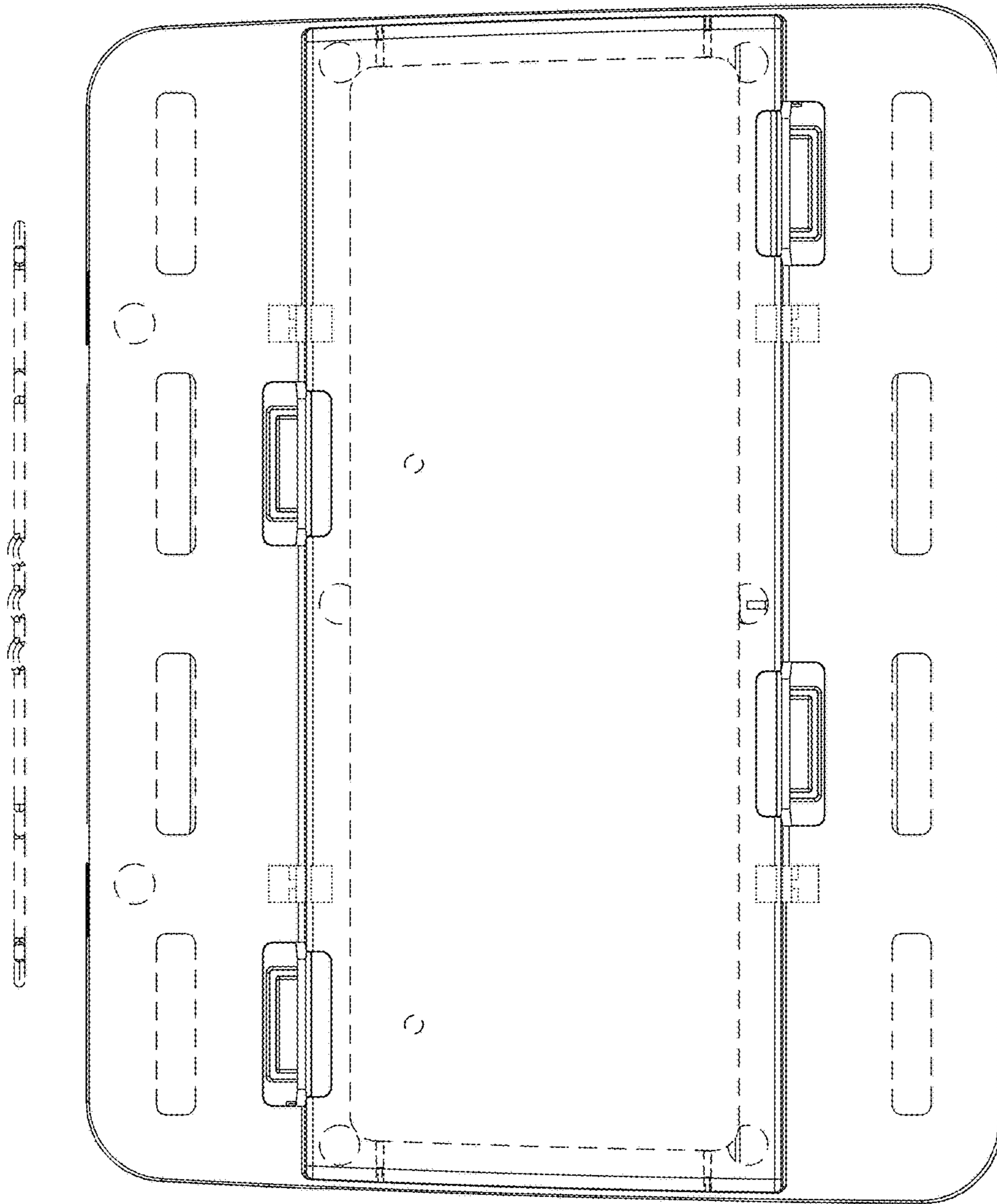


FIG. 3

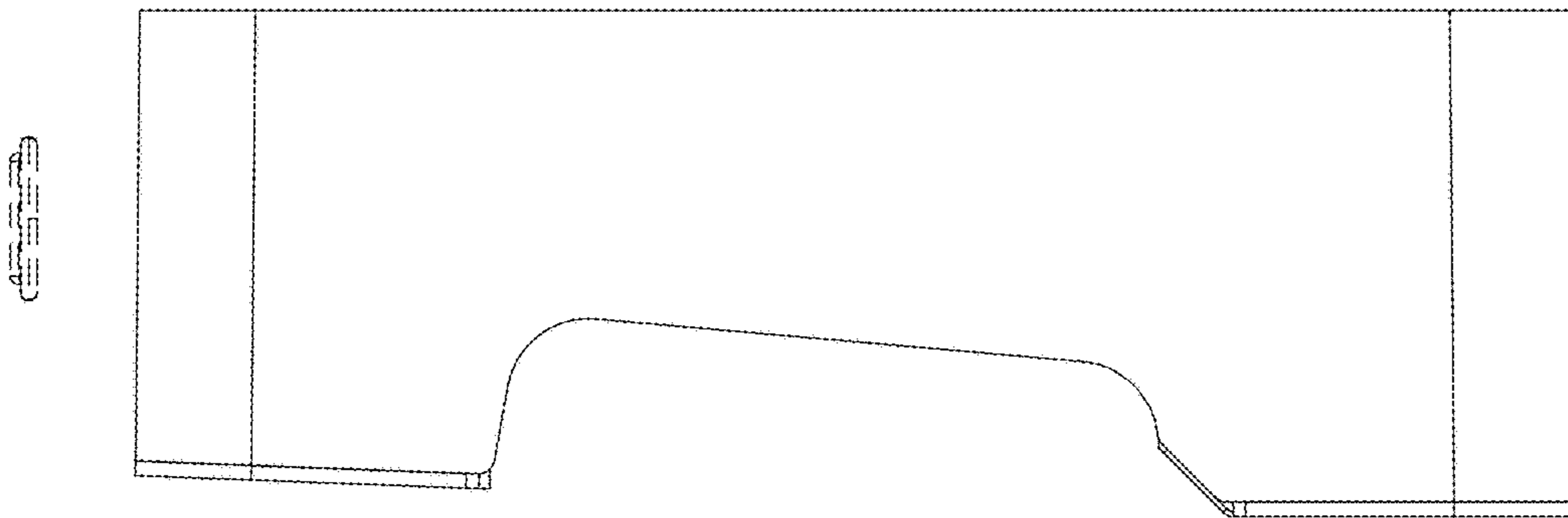


FIG. 5

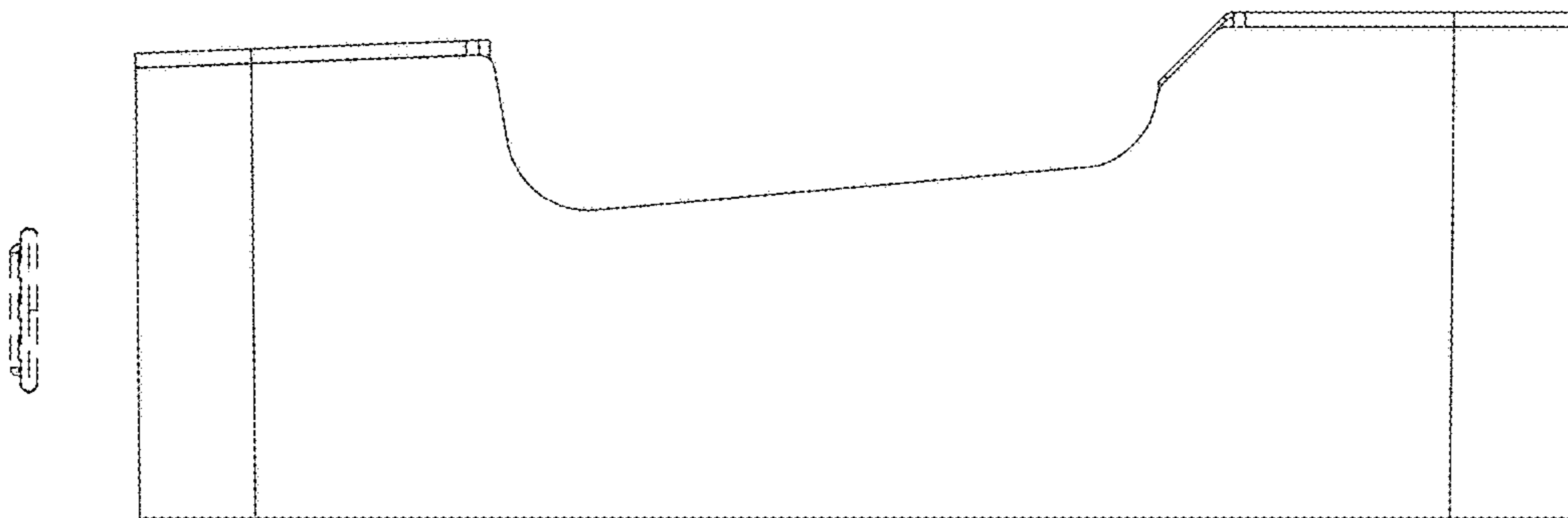


FIG. 4

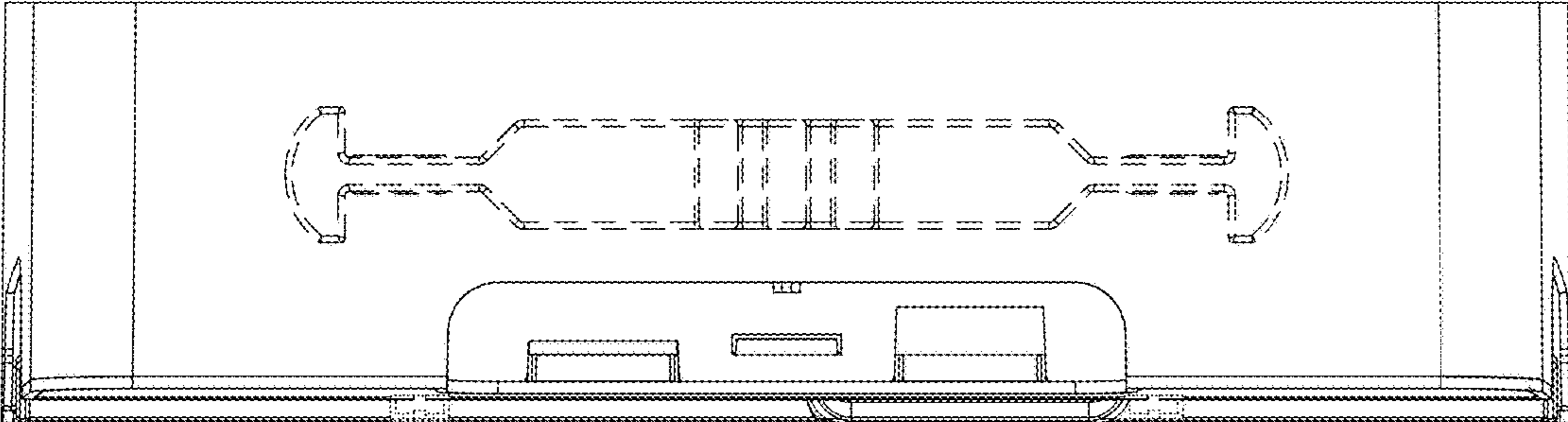


FIG. 6

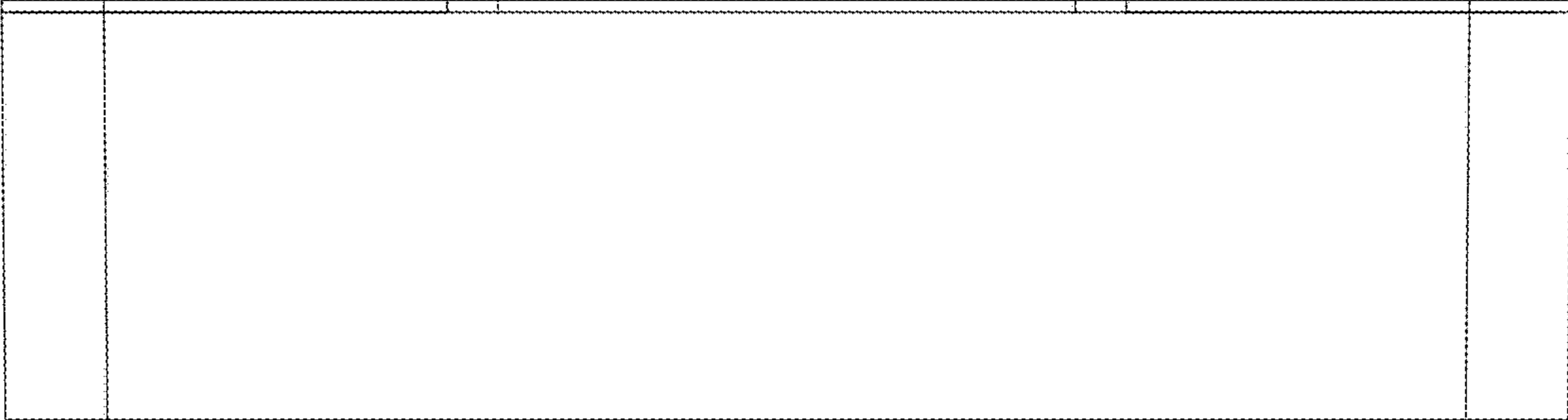


FIG. 7

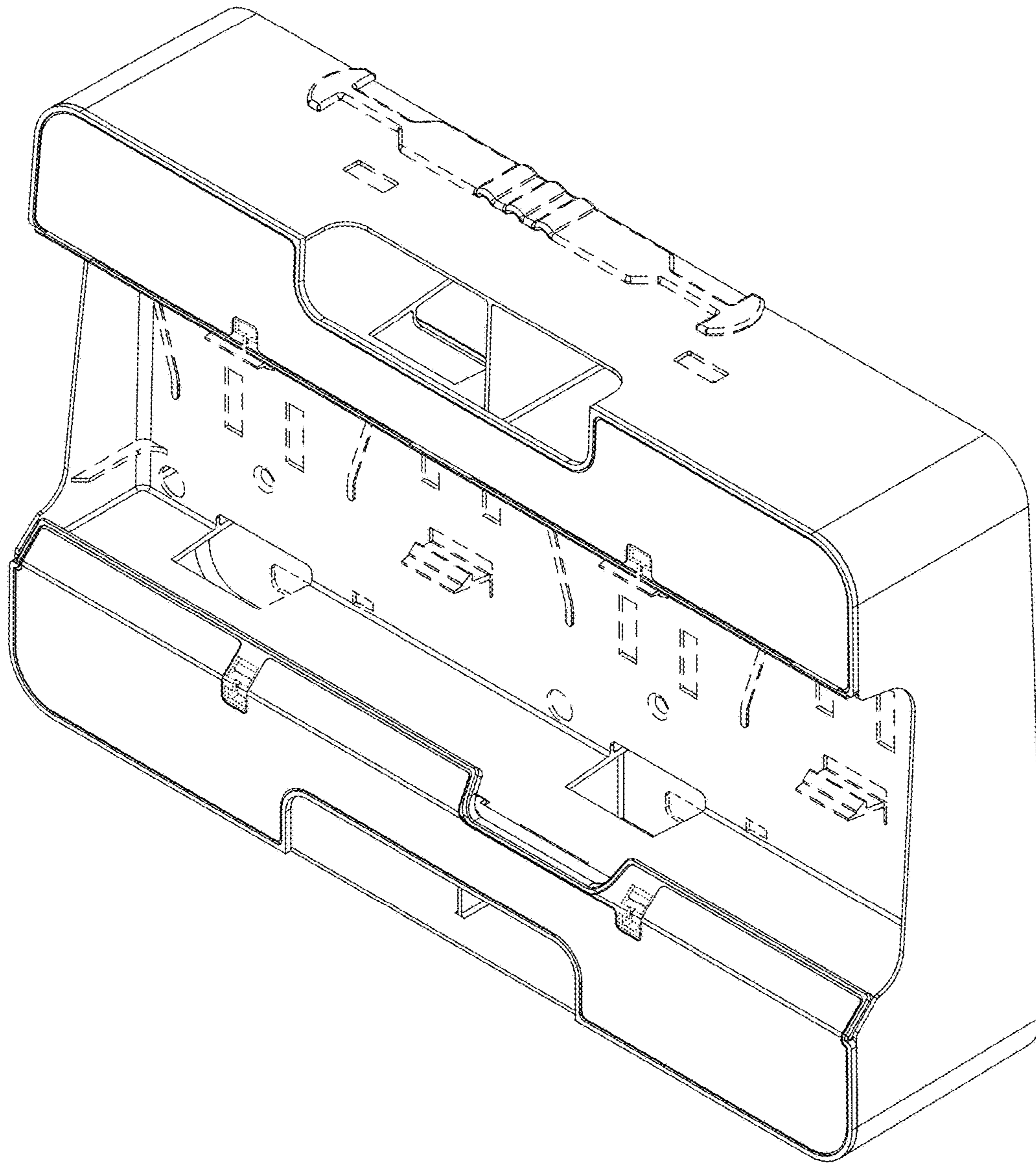


FIG. 8

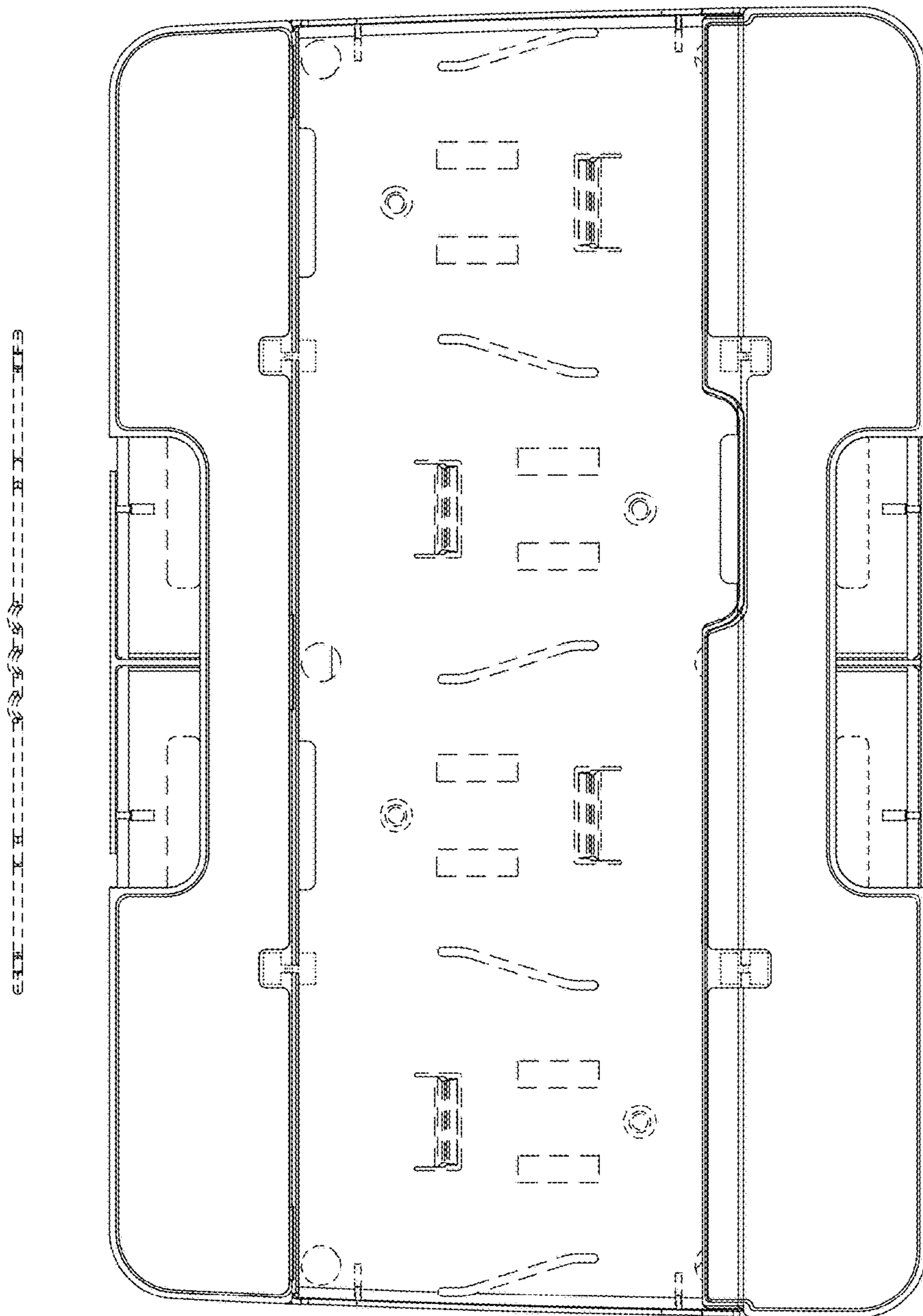


FIG. 9

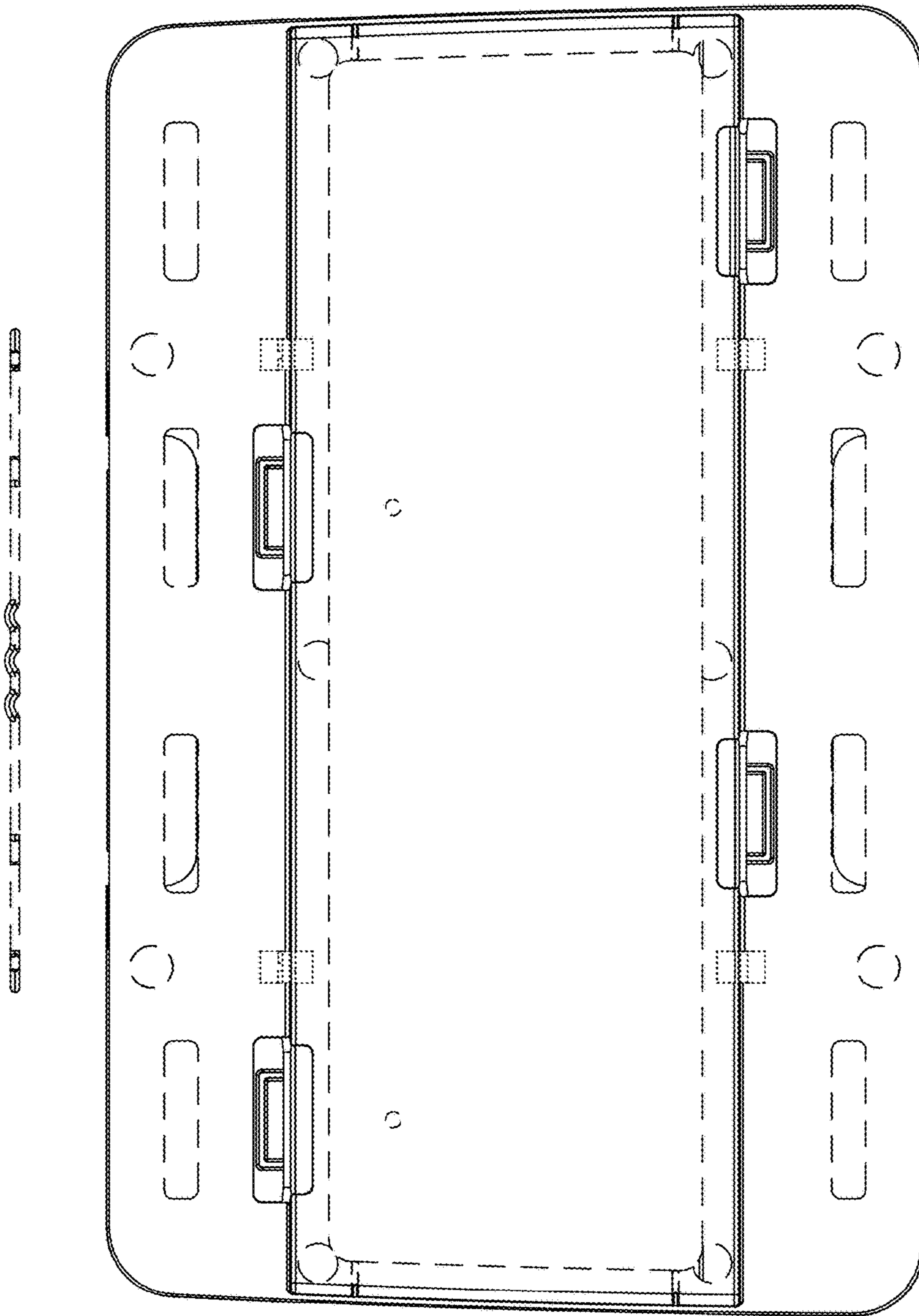


FIG. 10