



US00D862883S

(12) **United States Design Patent**
Stelmarski

(10) **Patent No.:** **US D862,883 S**

(45) **Date of Patent:** **** Oct. 15, 2019**

- (54) **BASKET**
- (71) Applicant: **InterDesign, Inc.**, Solon, OH (US)
- (72) Inventor: **Brian Stelmarski**, Hudson, OH (US)
- (73) Assignee: **InterDesign, Inc.**, Solon, OH (US)
- (**) Term: **15 Years**
- (21) Appl. No.: **29/601,657**

D673,367 S *	1/2013	Duvigneau	B65D 7/20
				D3/304
D784,697 S *	4/2017	Goodman	B65D 7/20
				D3/306
D793,087 S *	8/2017	Goodman	B65D 7/20
				D3/306
D814,190 S *	4/2018	Mishan	B65D 7/20
				D3/306
D819,333 S *	6/2018	Goodman	B65D 7/20
				D3/306
D823,599 S *	7/2018	Goodman	B65D 7/20
				D3/306
D826,000 S *	8/2018	Goodman	B65D 7/20
				D7/609

- (22) Filed: **Apr. 25, 2017**
- (51) **LOC (12) Cl.** **03-01**
- (52) **U.S. Cl.**
USPC **D3/306**
- (58) **Field of Classification Search**
USPC D3/304, 306, 314; D32/37
See application file for complete search history.

OTHER PUBLICATIONS

“Fern Living Wire Basket” Google Search Showing results from prior Apr. 24, 2016. <<https://www.google.com/>> Accessed on Sep. 15, 2018.*

* cited by examiner

Primary Examiner — Kevin K Rudzinski
Assistant Examiner — Clare Ann Gannon
(74) *Attorney, Agent, or Firm* — Calfee, Halter & Griswold, LLP

(56) **References Cited**
U.S. PATENT DOCUMENTS

D5,917 S *	6/1872	Dudley	D3/306
809,559 A *	1/1906	Hurlburt	B65D 7/20
				119/453
809,568 A *	1/1906	Gault	B65D 7/20
				220/485
872,792 A *	12/1907	Boyle	B65D 7/20
				217/52
957,069 A *	5/1910	Bauve	B65D 7/20
				220/495
966,670 A *	8/1910	Edwards	B65D 7/20
				220/492
1,472,598 A *	10/1923	Jarvis	B65D 7/20
				211/132.1
1,573,558 A *	2/1926	Macomber	B65D 7/20
				220/491
2,697,540 A *	12/1954	Malliaris	B65D 7/20
				206/202
D512,223 S *	12/2005	Snell	D3/304
D634,122 S *	3/2011	Goodman	D3/306
D650,175 S *	12/2011	Lee	B65D 7/20
				D3/306

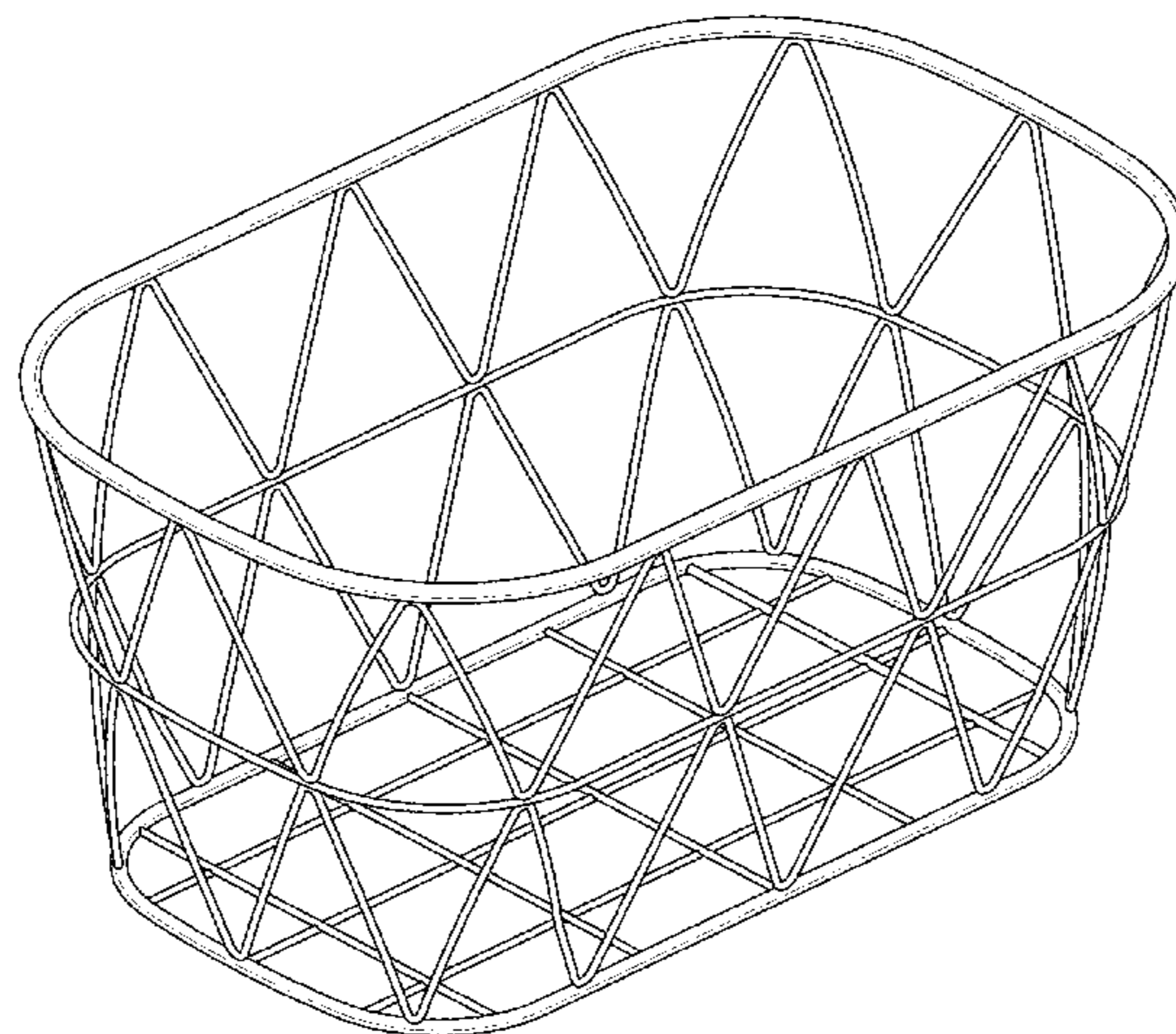
(57) **CLAIM**

I claim the ornamental design for a basket, as shown and described.

DESCRIPTION

FIG. 1 is a front/right/top perspective view of a basket;
FIG. 2 is rear/left/bottom perspective view thereof;
FIG. 3 is a front elevation view thereof;
FIG. 4 is a right side elevation view thereof;
FIG. 5 is a bottom plan view thereof; and,
FIG. 6 is a top plan view thereof.

1 Claim, 4 Drawing Sheets



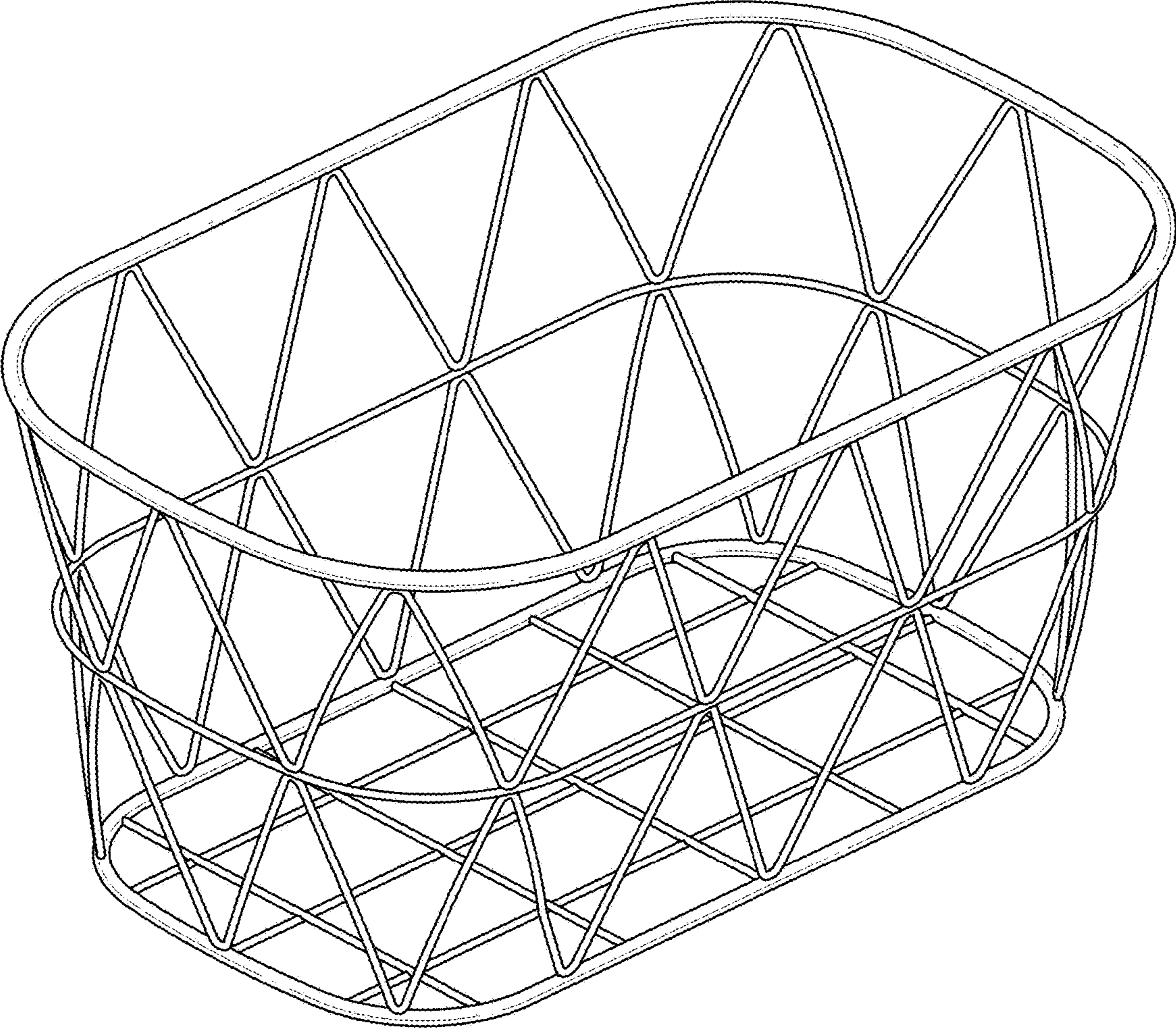


FIG. 1

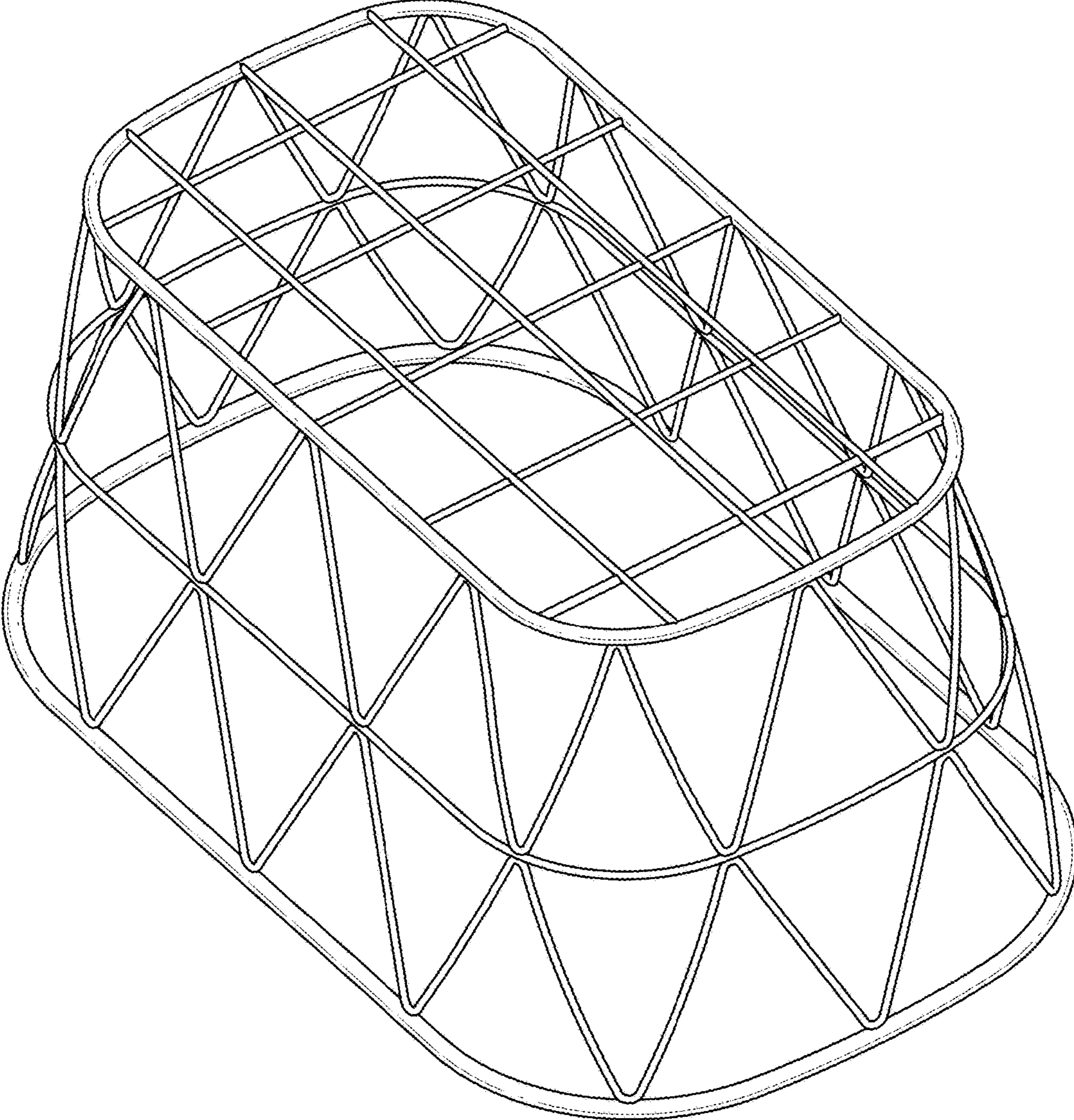


FIG. 2

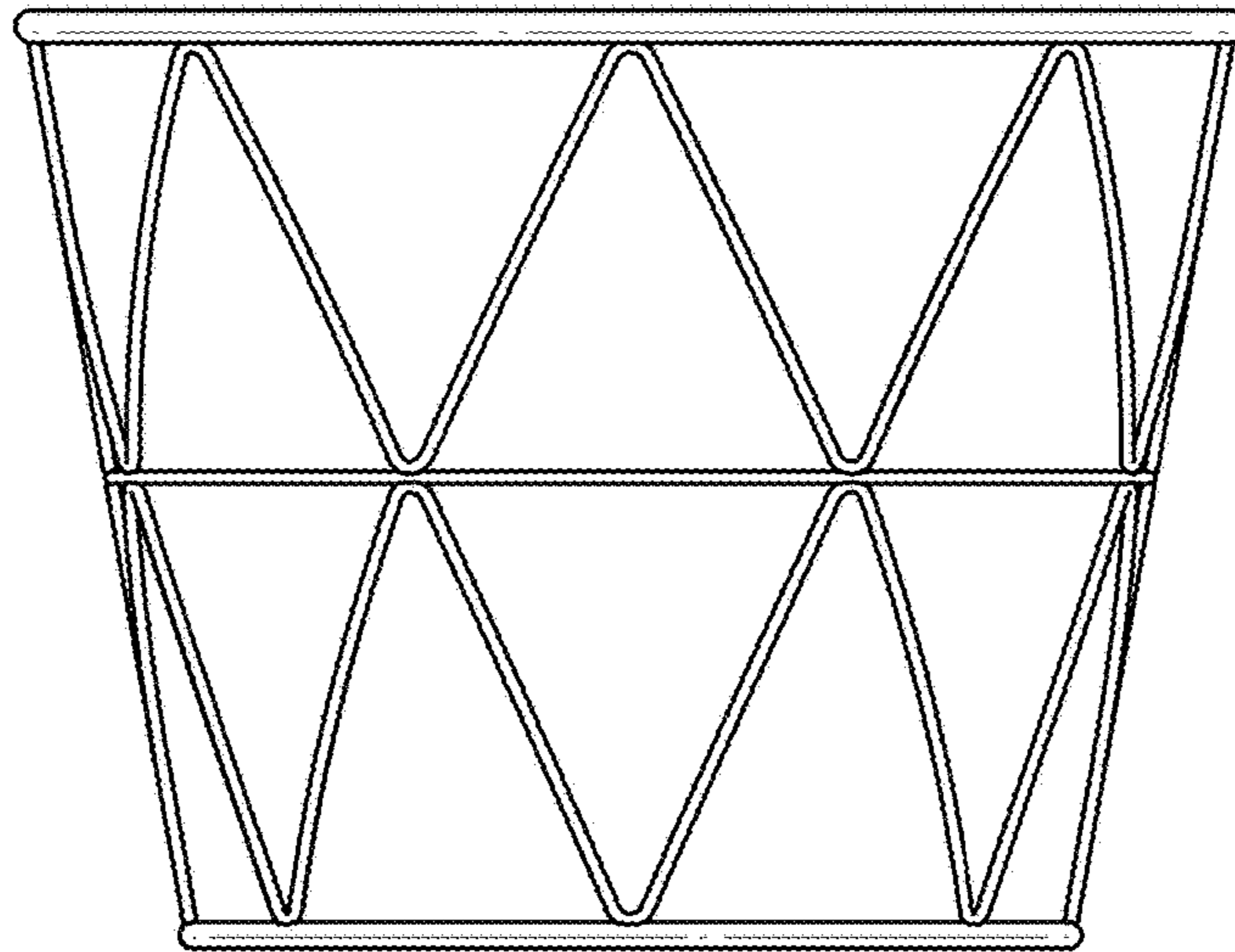


FIG. 3

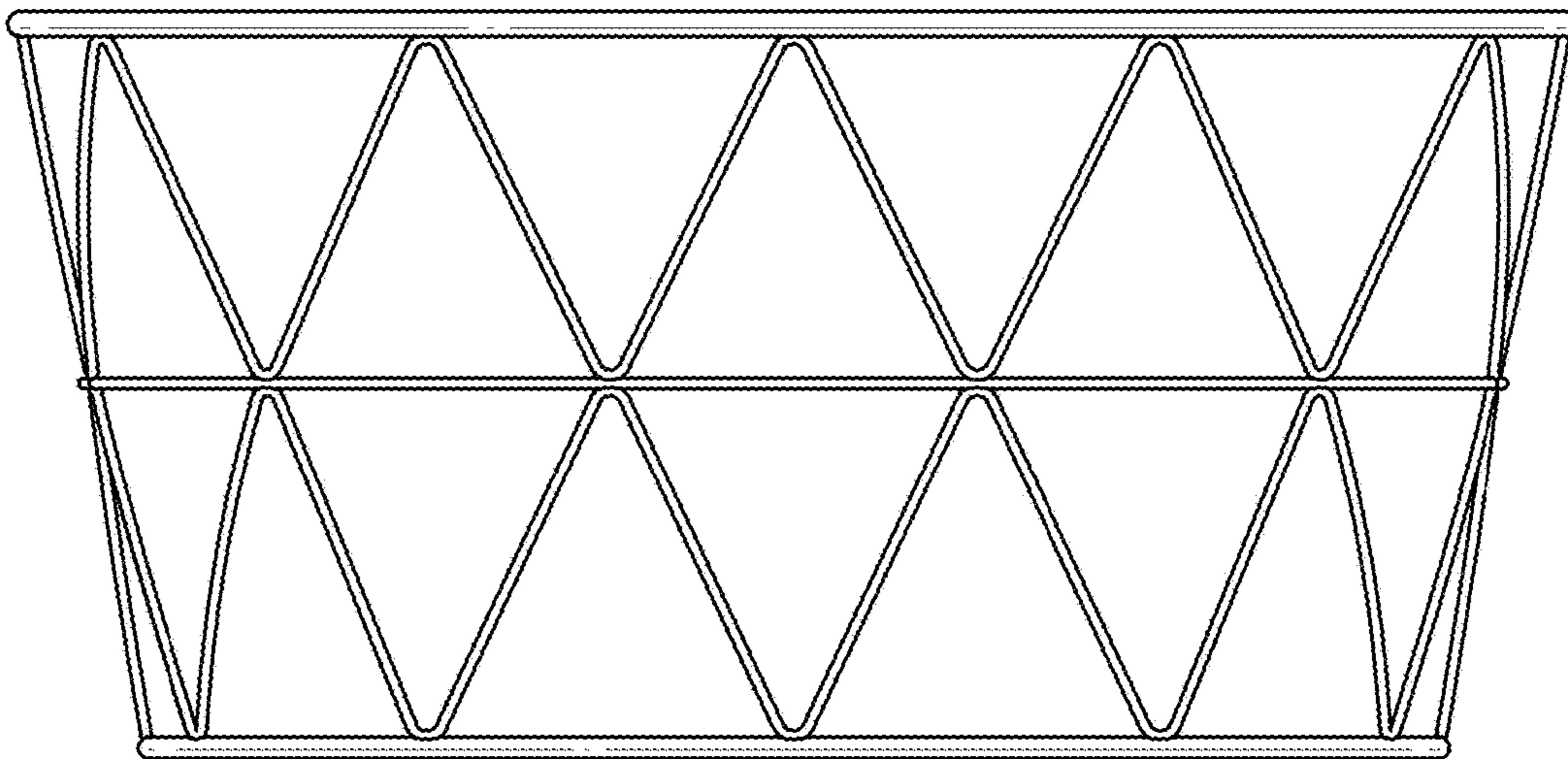


FIG. 4

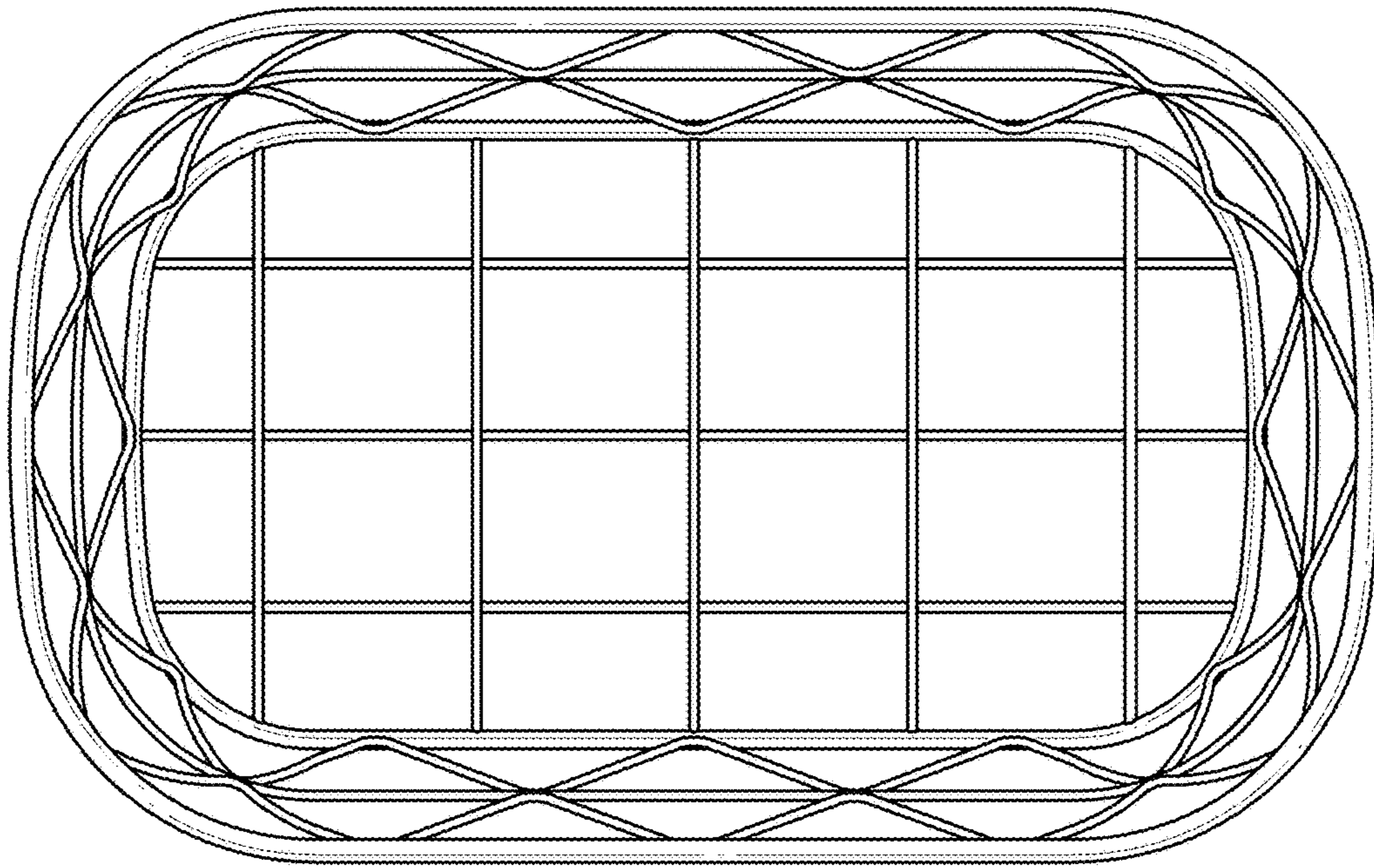


FIG. 5

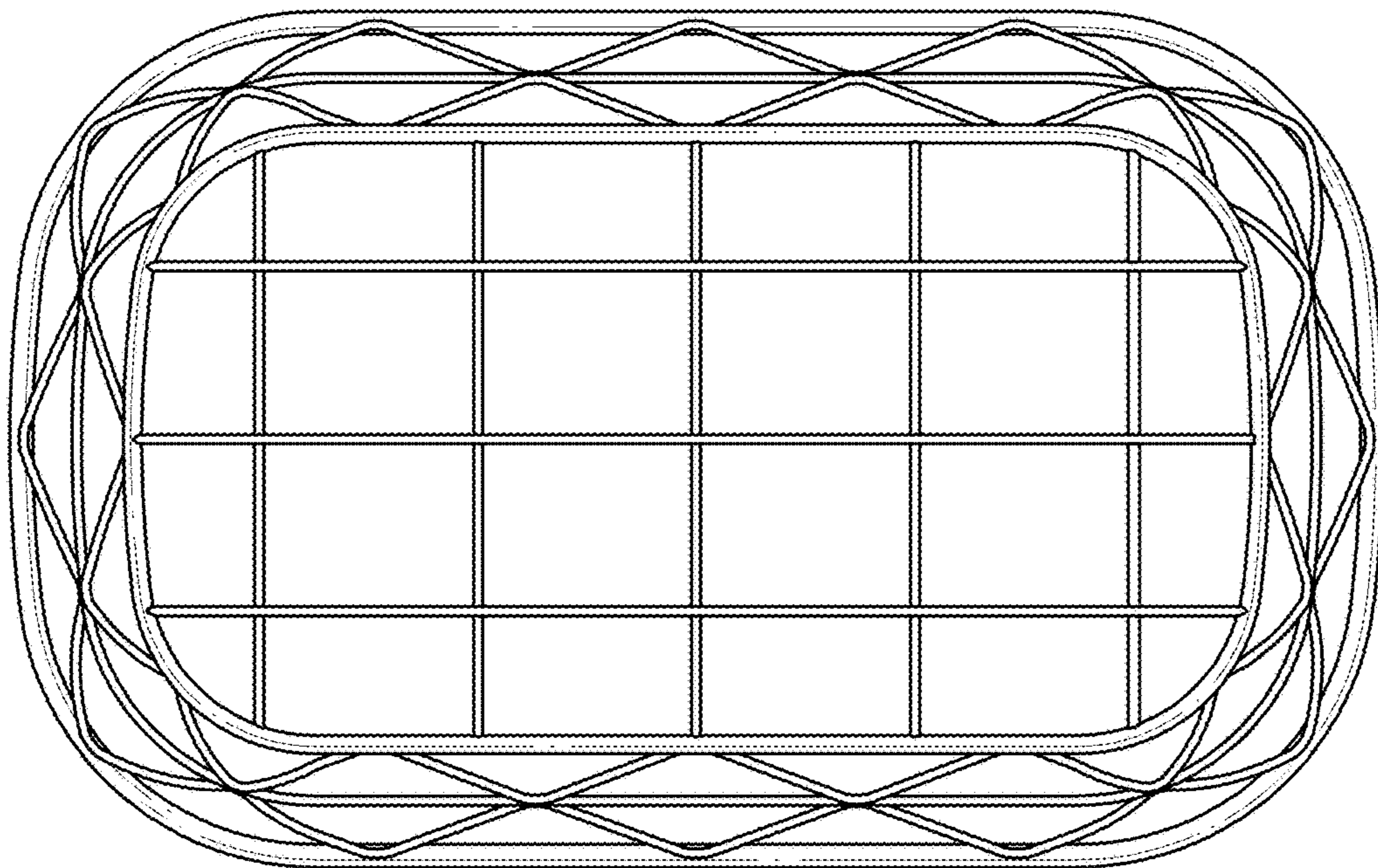


FIG. 6