



US00D862881S

(12) **United States Design Patent**  
**Milburn**

(10) **Patent No.:** **US D862,881 S**

(45) **Date of Patent:** **\*\* Oct. 15, 2019**

(54) **SET OF HANDLES FOR A TOOL CHEST**

(71) Applicant: **APEX BRANDS, INC.**, Apex, NC  
(US)

(72) Inventor: **Cody Edward Milburn**, Brookland,  
AR (US)

(73) Assignee: **APEX BRANDS INC.**, Apex, NC (US)

(\*\*) Term: **15 Years**

(21) Appl. No.: **29/612,847**

(22) Filed: **Aug. 4, 2017**

**Related U.S. Application Data**

(62) Division of application No. 29/550,266, filed on Dec.  
31, 2015, now Pat. No. Des. 796,839.

(51) **LOC (12) Cl.** ..... **03-01**

(52) **U.S. Cl.**  
USPC ..... **D3/281; D3/318**

(58) **Field of Classification Search**

USPC ..... D3/232-246, 254, 255, 273, 281, 294,  
D3/300, 315, 318-322, 324, 327, 328,  
D3/328.1, 329, 902, 903, 904, 905;  
D6/662, 667; D8/300, 306, 313, 315  
CPC ..... A45C 13/30; A45C 2013/303; A45C  
2013/306; A45C 13/22; A45C 2013/226;  
A45C 13/001; A45F 5/102; B25H 3/02;  
B65D 25/2841

See application file for complete search history.

(56) **References Cited**

**U.S. PATENT DOCUMENTS**

D37,935 S \* 4/1906 Schehr ..... D8/315  
888,079 A \* 5/1908 Furman ..... A45C 13/26  
126/243  
D65,459 S \* 8/1924 Yoe ..... D8/315  
D121,753 S 7/1940 Pichel

D203,826 S \* 2/1966 Grant et al. .... D13/184  
D260,062 S \* 8/1981 Knaack ..... D6/667  
4,288,134 A \* 9/1981 Knaack ..... A47B 81/00  
312/100  
D281,665 S \* 12/1985 Weinerman ..... D8/302  
D306,096 S 2/1990 Dickinson et al.  
D376,909 S 12/1996 Dickinson et al.  
D394,955 S 6/1998 Dickinson et al.  
D413,203 S 8/1999 Zurwelle et al.  
D418,977 S 1/2000 Streich  
D428,254 S 7/2000 Alexander-Katz  
D430,753 S \* 9/2000 Stangl ..... D6/667  
D431,108 S 9/2000 Lewis et al.  
D434,225 S 11/2000 Story et al.  
D441,954 S 5/2001 Parker  
D448,269 S \* 9/2001 Willems ..... D8/301  
D459,580 S 7/2002 Chen  
D470,659 S 2/2003 Story et al.  
D497,252 S \* 10/2004 Perella ..... D3/272  
D525,047 S \* 7/2006 Linder ..... D6/663

(Continued)

*Primary Examiner* — Susan E Krakower

*Assistant Examiner* — L. A. Grabenstetter

(74) *Attorney, Agent, or Firm* — Burr & Forman LLP

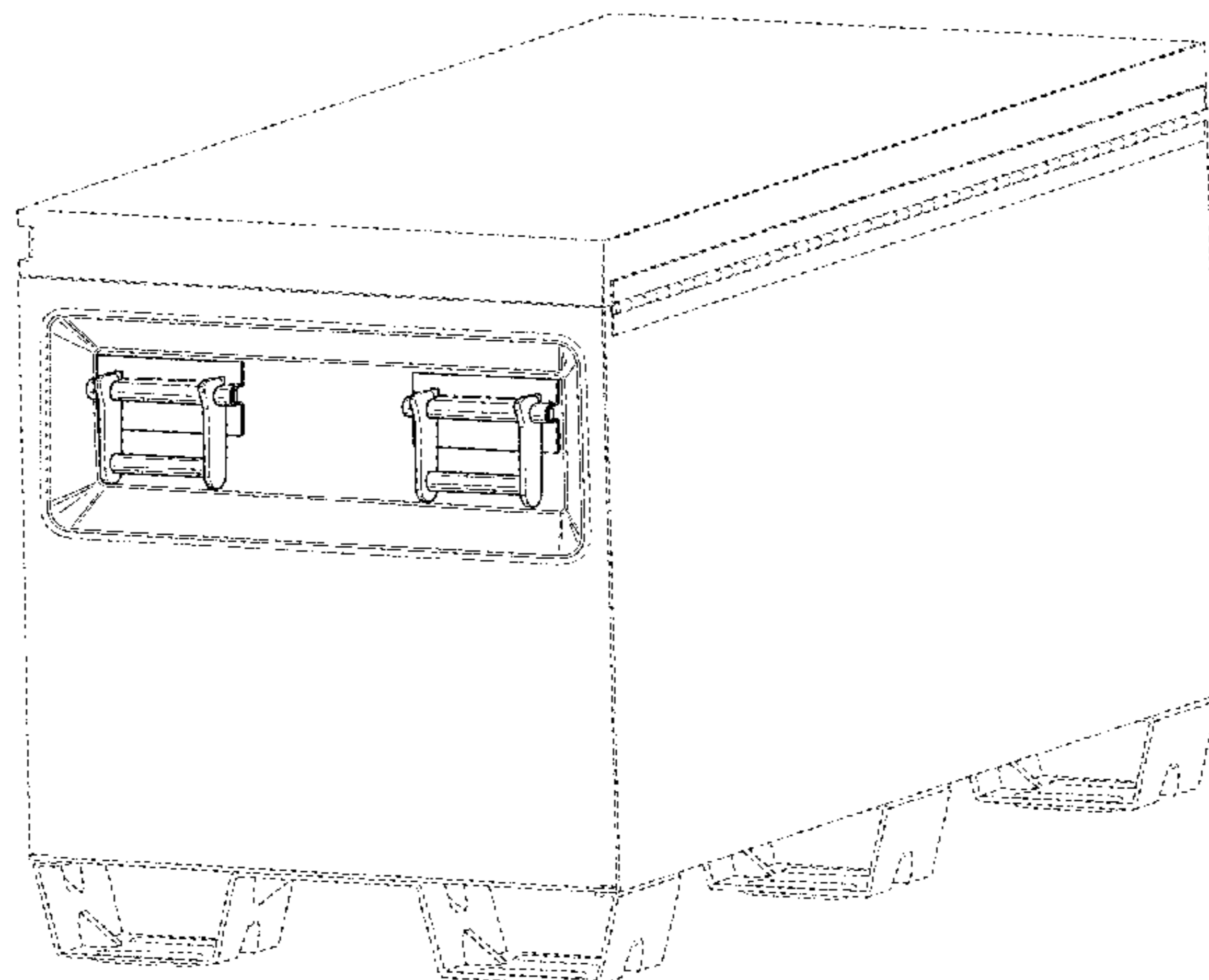
(57) **CLAIM**

The ornamental design for a set of handles for a tool chest,  
as shown and described.

**DESCRIPTION**

FIG. 1 is a front perspective view of a set of handles for a  
tool chest in accordance with the present invention;  
FIG. 2 is a second front perspective view thereof;  
FIG. 3 is a right side view thereof;  
FIG. 4 is a left side view thereof; and,  
FIG. 5 is a rear perspective view thereof.  
The dash-dash broken lines of FIGS. 1-5 illustrate environ-  
mental structure and form no part of the claimed design. The  
dot-dash broken lines of FIGS. 1-5 represent boundary lines  
and form no part of the claim.

**1 Claim, 5 Drawing Sheets**



(56)

## References Cited

## U.S. PATENT DOCUMENTS

D525,789	S	8/2006	Hosking	
D530,094	S	10/2006	Hagan et al.	
D532,605	S	11/2006	Klein	
D563,692	S *	3/2008	DeCarlo	D6/663
D580,231	S *	11/2008	Lee	D6/667
D611,252	S *	3/2010	Fiscus	D3/272
D618,911	S	7/2010	Brunner	
D627,967	S	11/2010	Kuhls	
D635,366	S	4/2011	Luburic	
D639,556	S	6/2011	Sosnovsky et al.	
D659,505	S *	5/2012	Sakuma	D8/313
8,251,250	B1	8/2012	Simmons et al.	
D668,474	S *	10/2012	Lim	D6/667
D668,869	S	10/2012	Yamamoto et al.	
8,342,580	B2	1/2013	Cowie et al.	
D707,064	S *	6/2014	Bovo	D6/663
D717,048	S	11/2014	Meng	
D720,136	S	12/2014	Scalzo	
D720,595	S *	1/2015	Bertani	D8/306
D723,900	S *	3/2015	Bertani	D8/306
D724,842	S	3/2015	Whalen	
9,126,753	B2 *	9/2015	Cowie	B65D 90/16
D747,875	S	1/2016	Manalang et al.	
2005/0103783	A1 *	5/2005	Bergum	B25H 3/02 220/23.86
2007/0163085	A1 *	7/2007	Kelaher	A45C 13/26 16/445
2007/0240462	A1 *	10/2007	James	B25H 3/02 70/159
2011/0074262	A1	3/2011	Liu	
2011/0185779	A1	8/2011	Crass et al.	
2013/0047380	A1 *	2/2013	Huang	B25H 3/02 16/429
2013/0127183	A1	5/2013	Chang	
2014/0312757	A1	10/2014	Bridges et al.	

\* cited by examiner

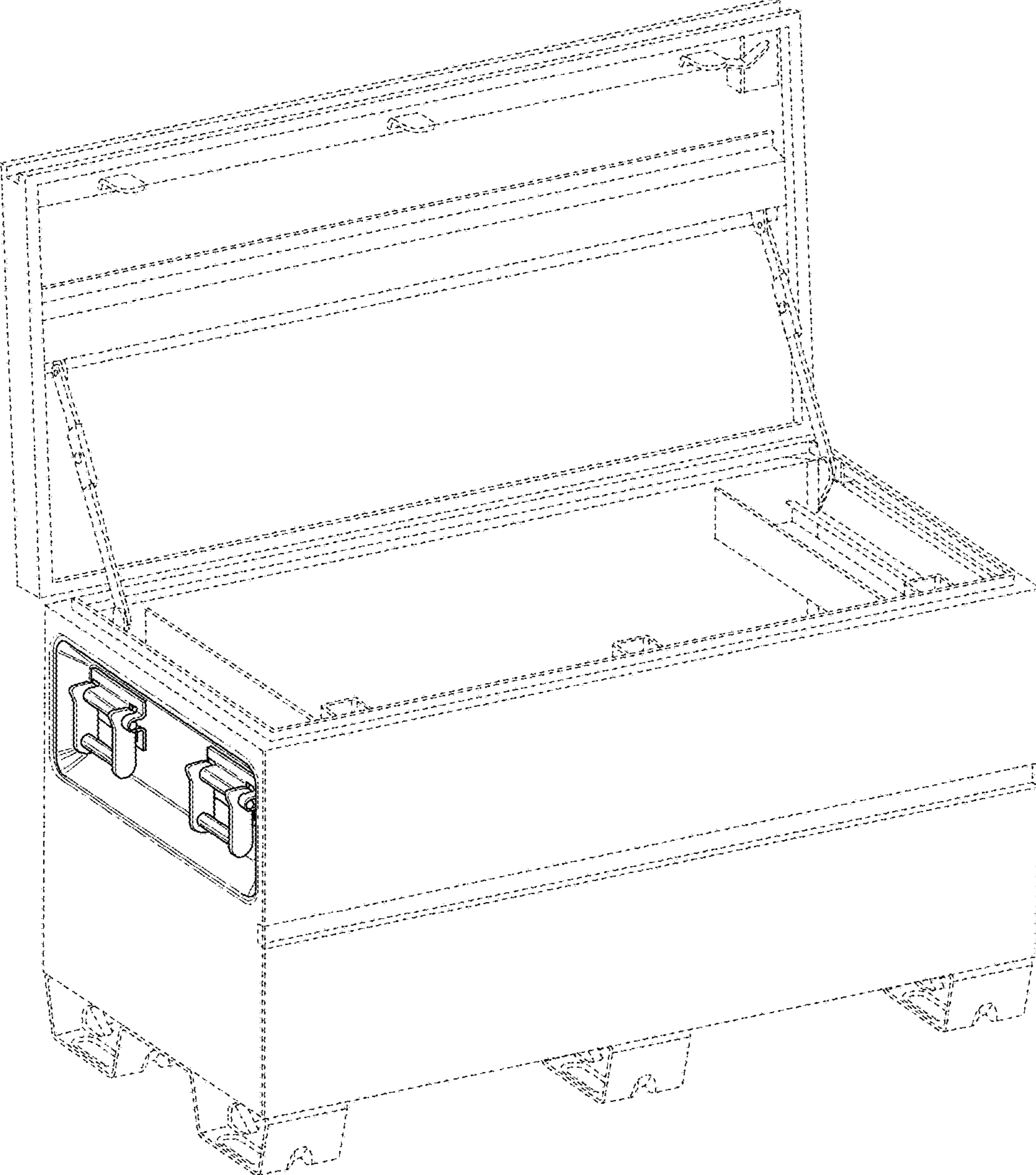


FIG. 1

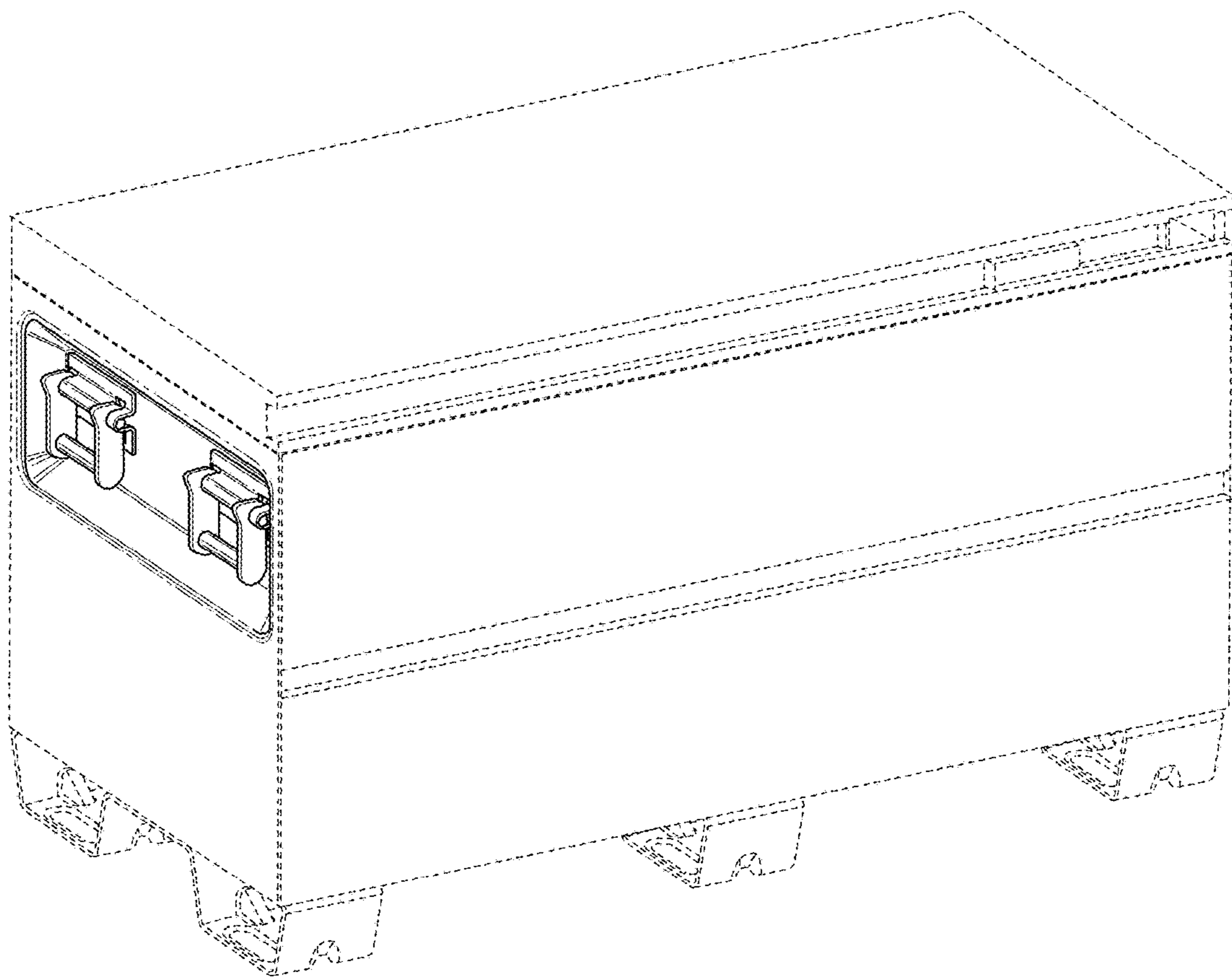


FIG. 2

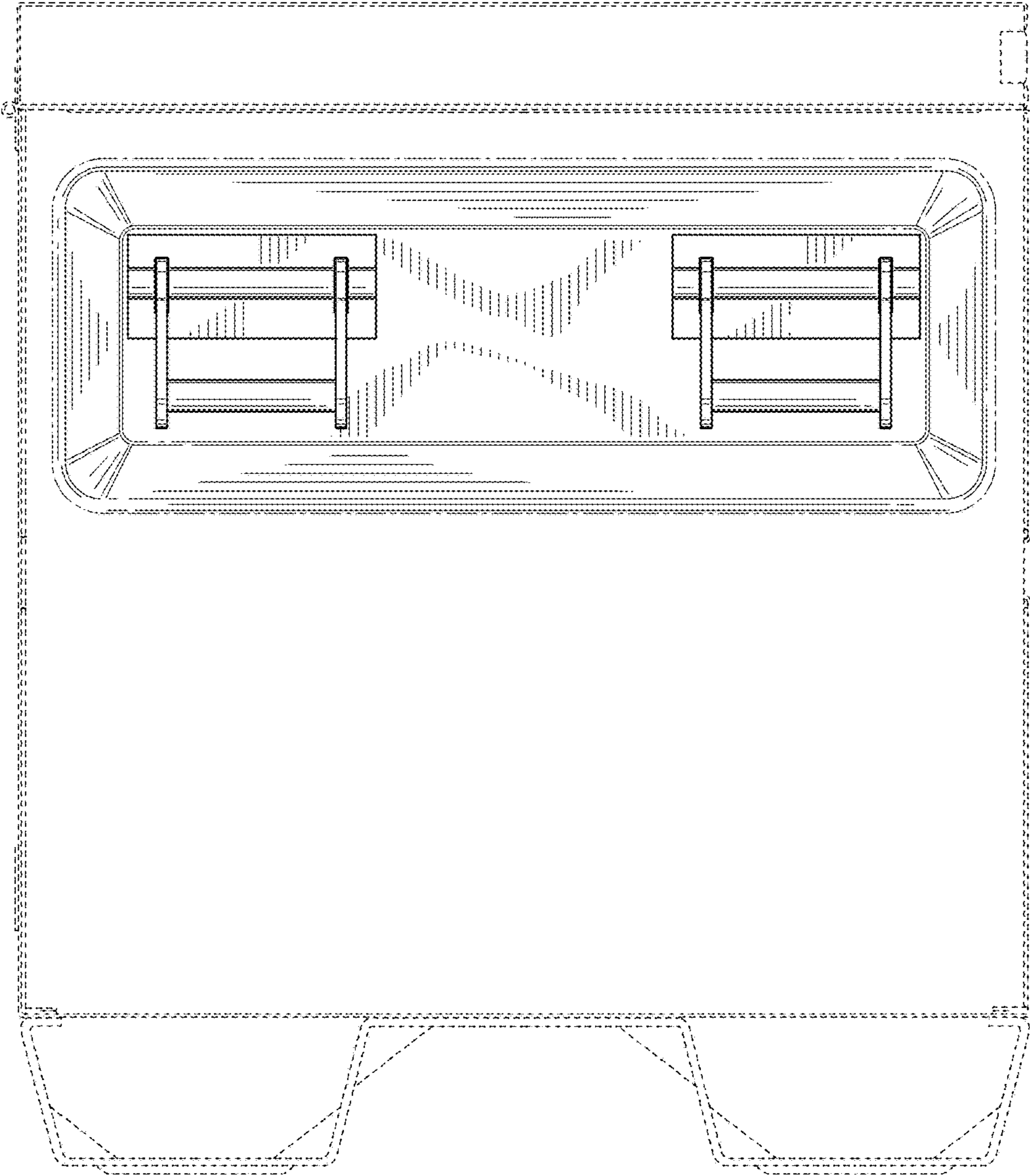


FIG. 3

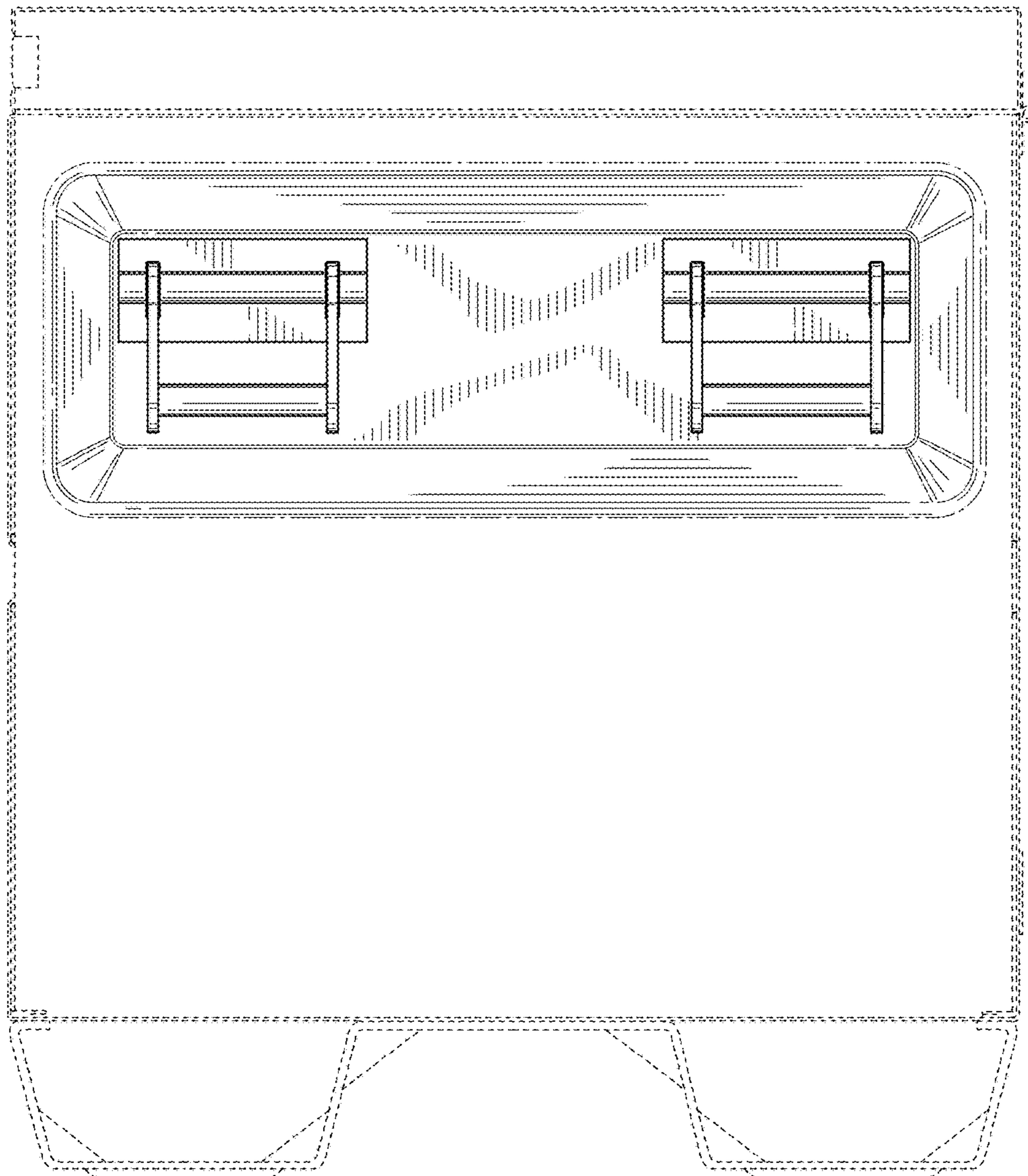


FIG. 4

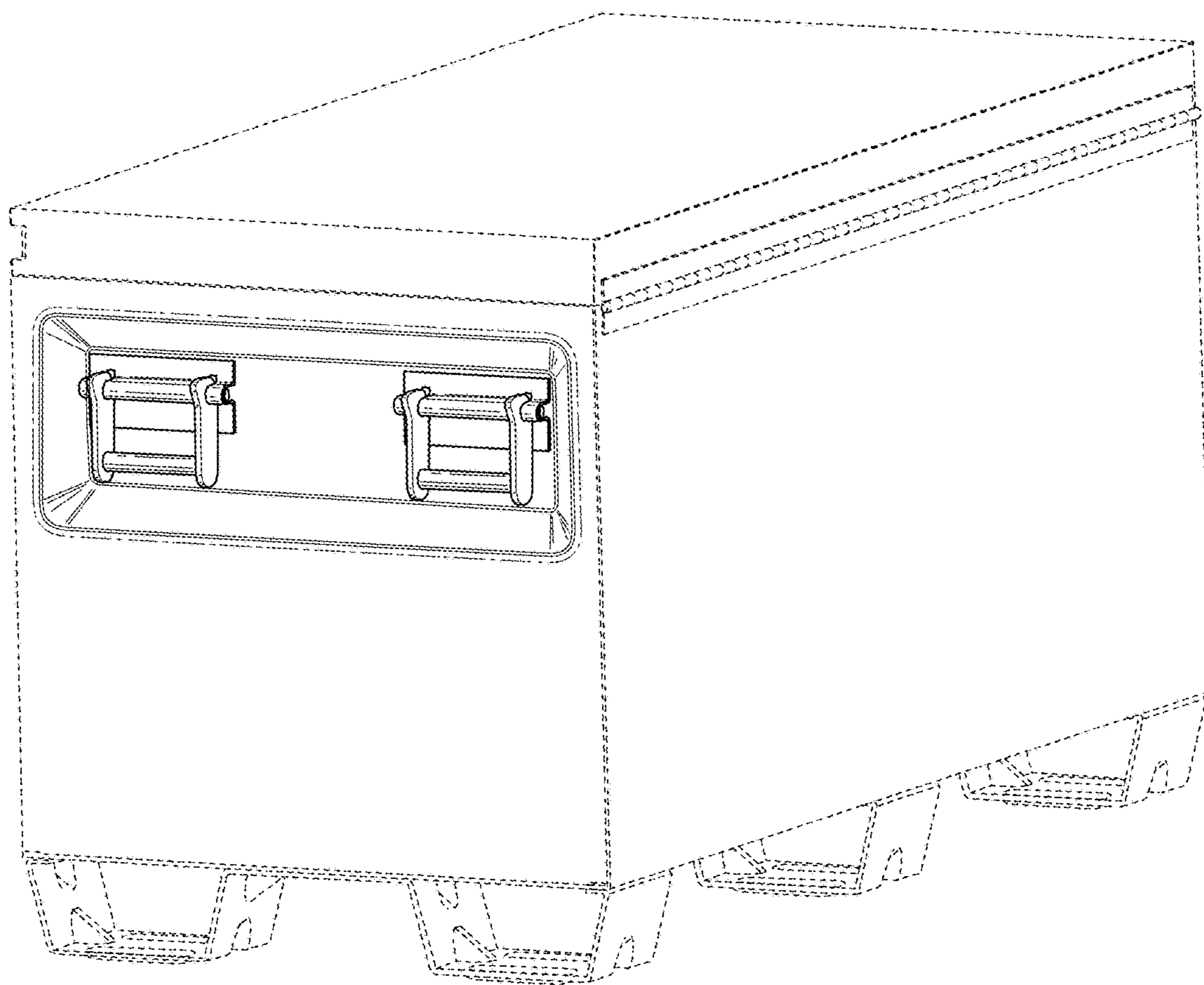


FIG. 5