

US00D862876S

(12) **United States Design Patent**
Li

(10) **Patent No.:** **US D862,876 S**

(45) **Date of Patent:** **** Oct. 15, 2019**

(54) **WAIST BAG**

D789,683 S * 6/2017 Bartlett D3/226
D809,288 S * 2/2018 Preseren D3/224
D839,591 S * 2/2019 Yamanaka D3/226

(71) Applicant: **Shenzhen Qijiang Technology Co., Ltd.**, Shenzhen (CN)

* cited by examiner

(72) Inventor: **Chengxiang Li**, Shenzhen (CN)

Primary Examiner — Catherine R Oliver-Garcia

(73) Assignee: **Shenzhen Qijiang Technology Co., Ltd.**, Shenzhen (CN)

(**) Term: **15 Years**

(57) **CLAIM**

(21) Appl. No.: **29/656,516**

The ornamental design for a waist bag, as shown and described.

(22) Filed: **Jul. 13, 2018**

(51) **LOC (12) Cl.** **03-01**

(52) **U.S. Cl.**
USPC **D3/226**

DESCRIPTION

(58) **Field of Classification Search**
USPC D3/226, 221, 224, 228, 230; 224/236, 224/240, 245, 222, 264, 662, 665, 668, 224/684, 901.4, 901.6, 904; D2/627-629, D2/631
CPC A41D 13/04; A41D 13/05; A45C 45/00; A45F 5/00; A45F 5/021; A45F 3/14; A45F 2003/146; A45F 2003/144; A45F 2005/006

FIG. 1 is a front, left, top perspective view of a waist bag showing my new design;
FIG. 2 is a rear, right, bottom perspective view thereof;
FIG. 3 is a front elevational view thereof;
FIG. 4 is a rear elevational view thereof;
FIG. 5 is a left side elevational view thereof;
FIG. 6 is a right side elevational view thereof;
FIG. 7 is a top plan view thereof; and,
FIG. 8 is a bottom plan view thereof.

See application file for complete search history.

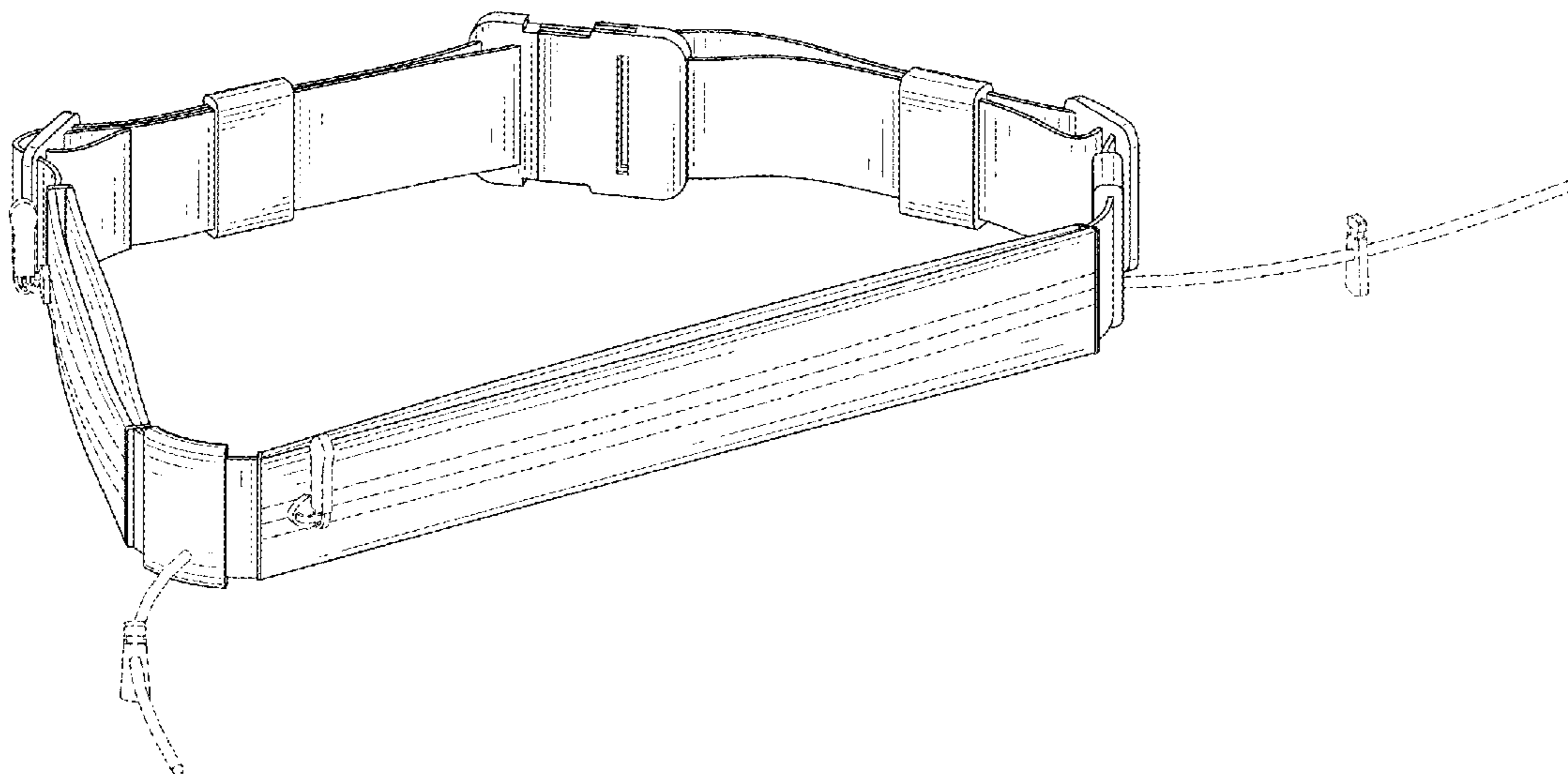
The broken lines in the drawings are for the purpose of illustrating portions of the waist bag that form no part of the claimed design.

(56) **References Cited**

U.S. PATENT DOCUMENTS

D613,501 S * 4/2010 Overton D3/226
D779,817 S * 2/2017 Bartlett D3/226

1 Claim, 8 Drawing Sheets



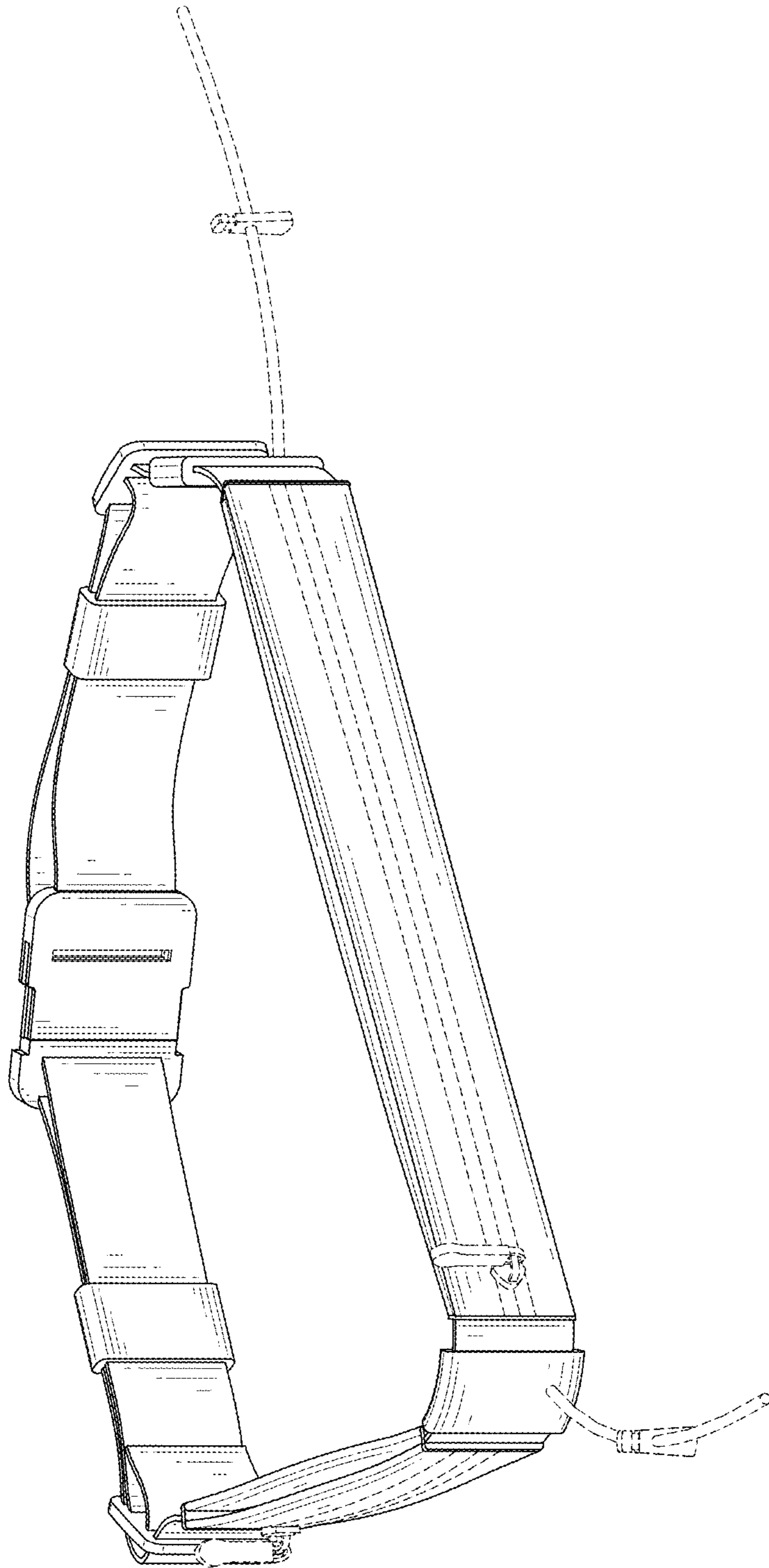


FIG. 1

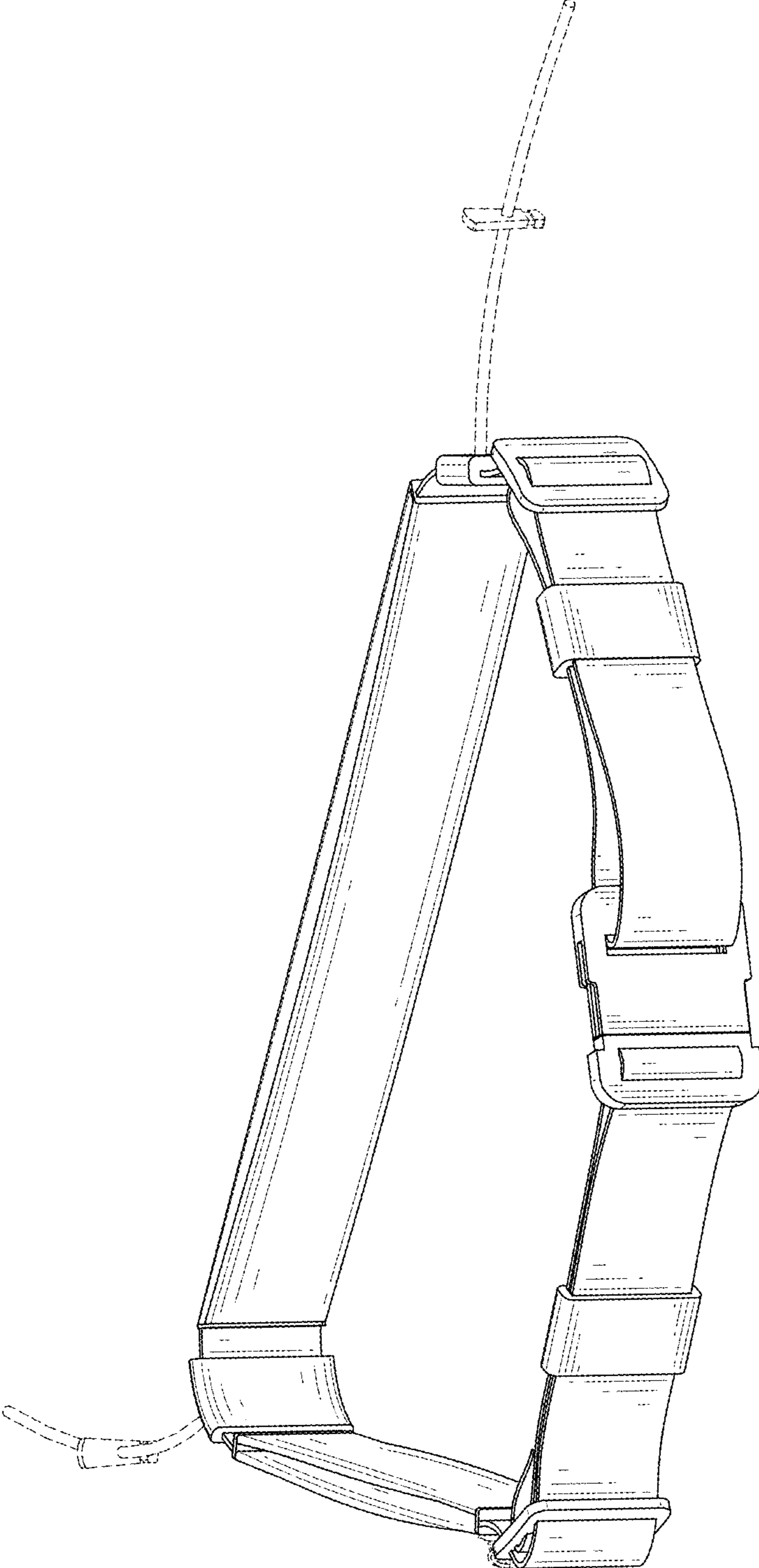


FIG. 2

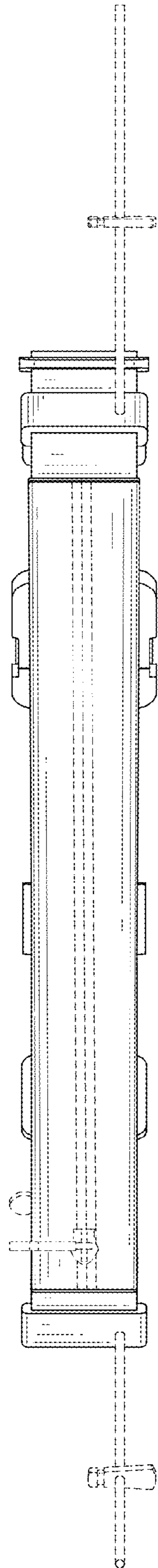


FIG. 3

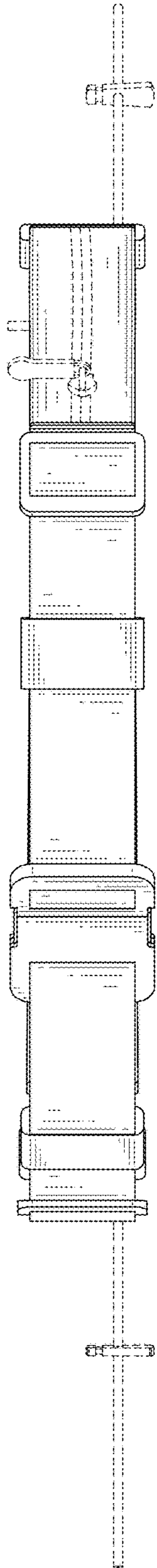


FIG. 4

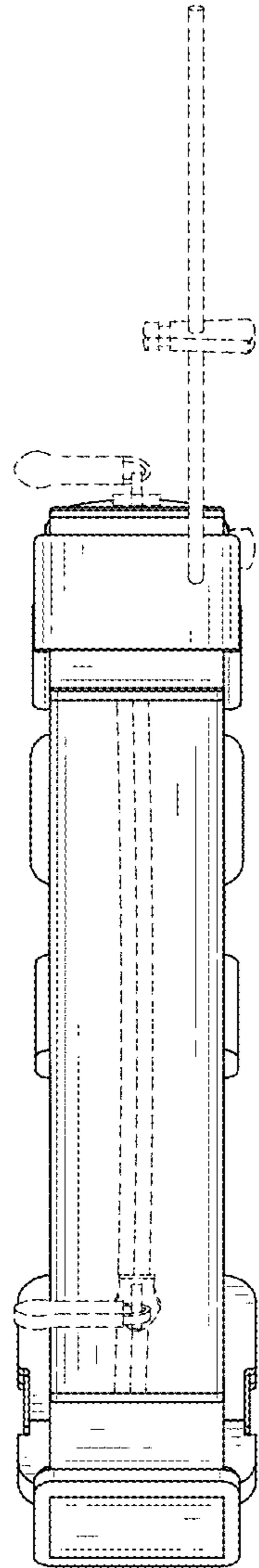


FIG. 5

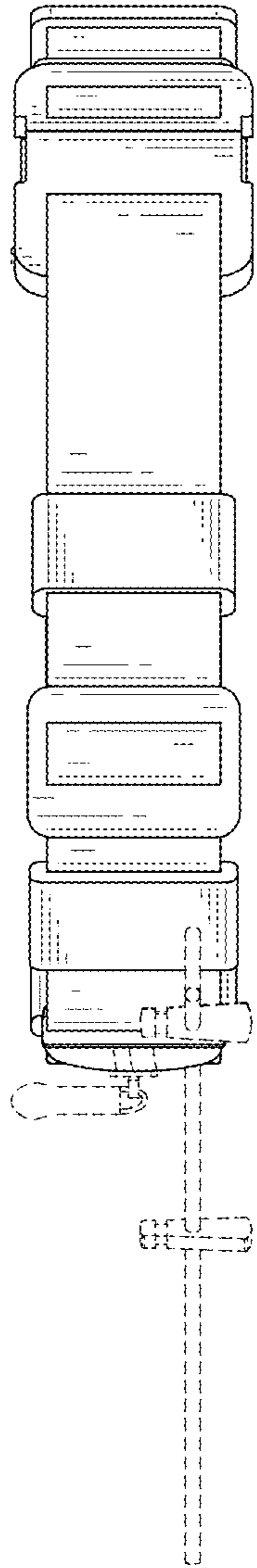


FIG. 6

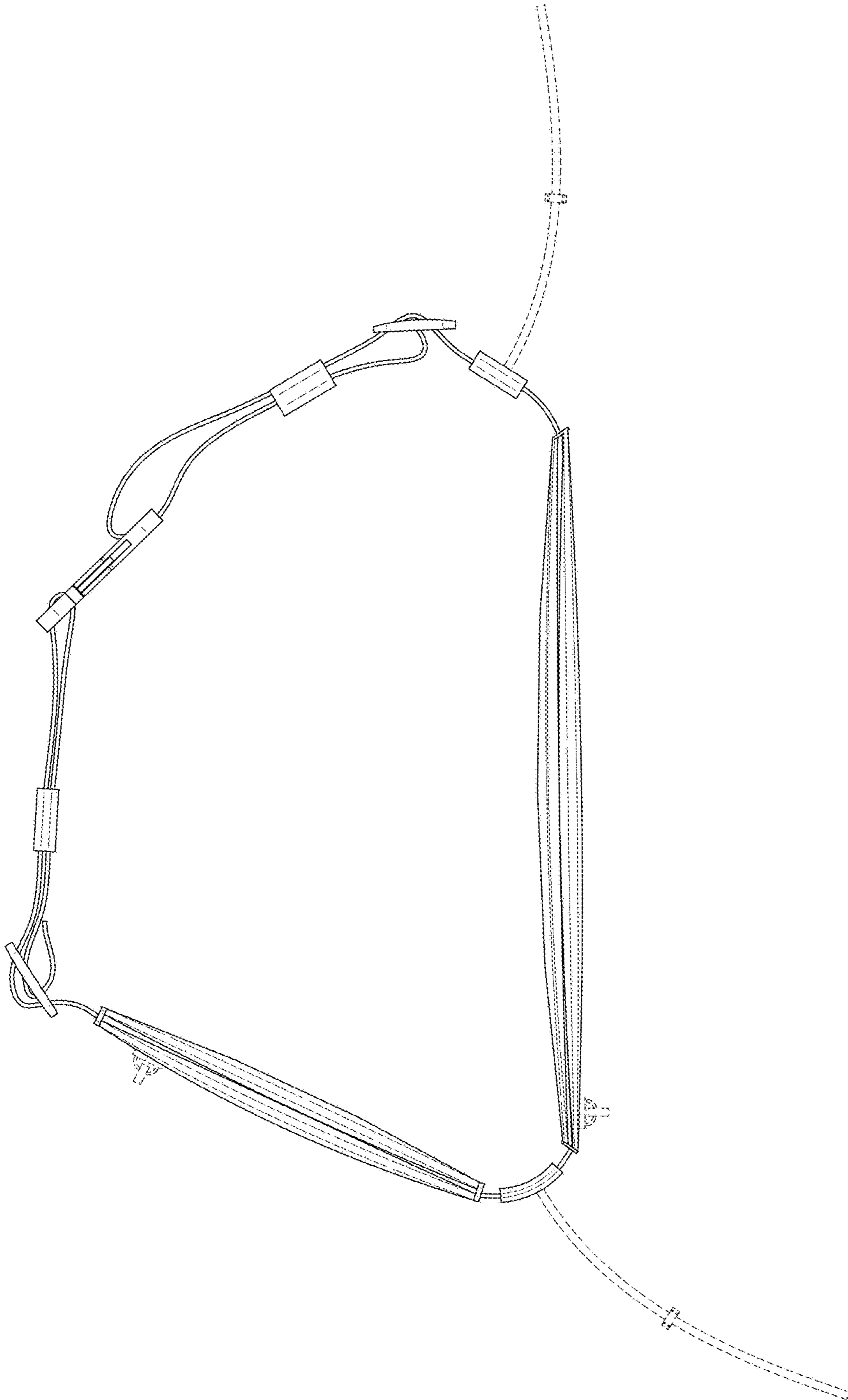


FIG. 7

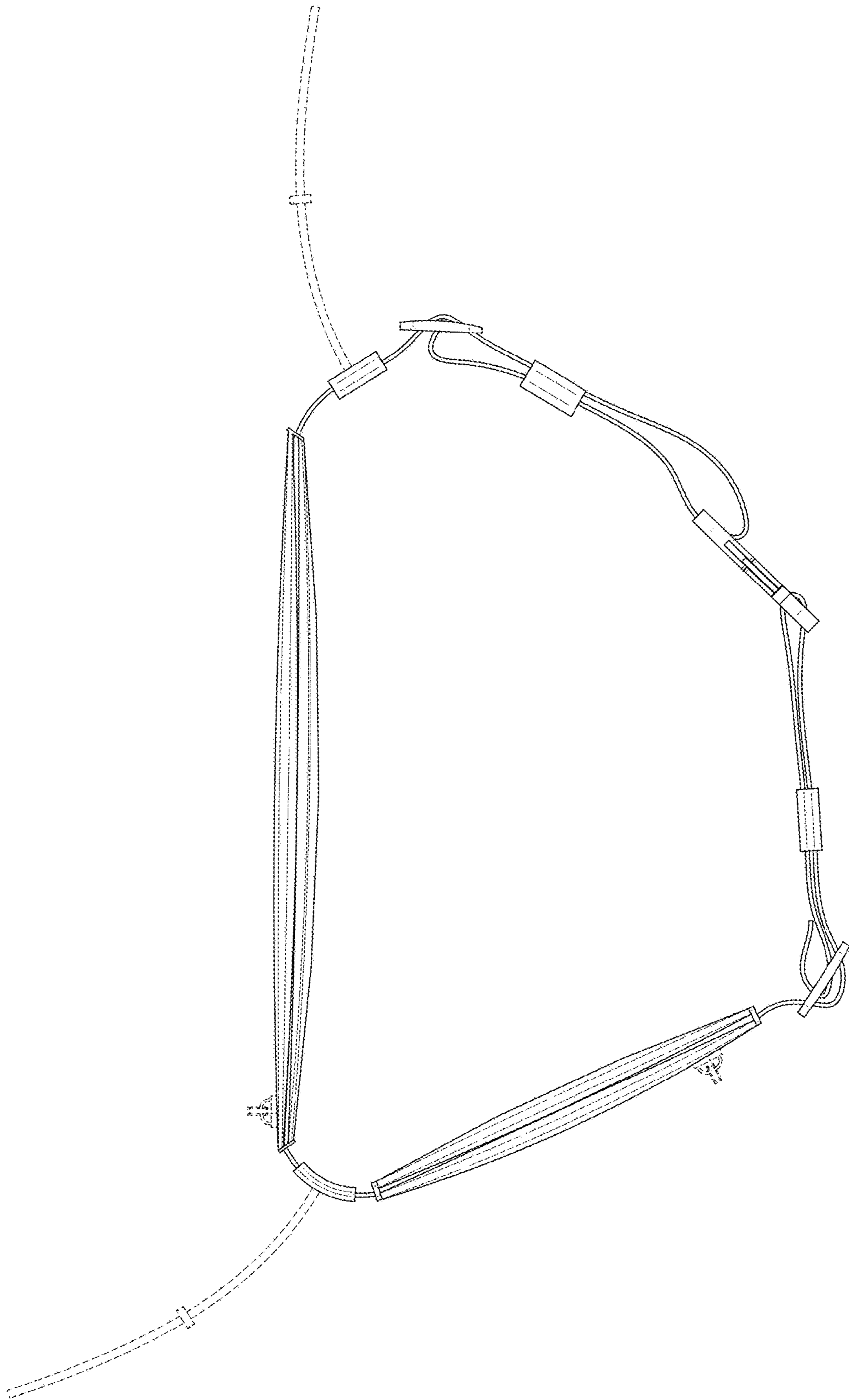


FIG. 8