



US00D862873S

(12) **United States Design Patent**
Ye

(10) **Patent No.:** **US D862,873 S**

(45) **Date of Patent:** **** Oct. 15, 2019**

(54) **PERSONAL STORAGE SYSTEM**

(71) Applicant: **Zirui Ye**, South Hadley, MA (US)

(72) Inventor: **Zirui Ye**, South Hadley, MA (US)

(**) Term: **15 Years**

(21) Appl. No.: **29/621,753**

(22) Filed: **Oct. 11, 2017**

(51) **LOC (12) Cl.** **03-01**

(52) **U.S. Cl.**
USPC **D3/201**

(58) **Field of Classification Search**
USPC D3/201, 215, 226, 228, 230, 269, 273,
D3/290, 299, 303, 318
CPC B65D 83/384; F41H 9/10
See application file for complete search history.

(56) **References Cited**

U.S. PATENT DOCUMENTS

D381,197 S *	7/1997	Green	D3/201
D468,535 S	1/2003	McCormack		
D522,748 S *	6/2006	Kim	D3/294
D525,024 S *	7/2006	Fridie	D3/201
D588,354 S *	3/2009	Chamberlain	D19/91
D621,616 S *	8/2010	Tussy	D3/269
D735,994 S	8/2015	Mangano		
2005/0000840 A1	1/2005	Cahill		

OTHER PUBLICATIONS

Goggle and Glasses, Earliest Published Date Mar. 11, 2017, "Folding Triangular Collapsible Sunglasses Case Brown" (https://www.gogglesandglasses.com/Folding-Triangular-Collapsible-Sunglasses-Eyeglass-Case-Brown_p_9548.html).

[gogglesandglasses.com/Folding-Triangular-Collapsible-Sunglasses-Eyeglass-Case-Brown_p_9548.html](https://www.gogglesandglasses.com/Folding-Triangular-Collapsible-Sunglasses-Eyeglass-Case-Brown_p_9548.html).*

* cited by examiner

Primary Examiner — Holly E Thurman

(74) *Attorney, Agent, or Firm* — Cantor Colburn LLP

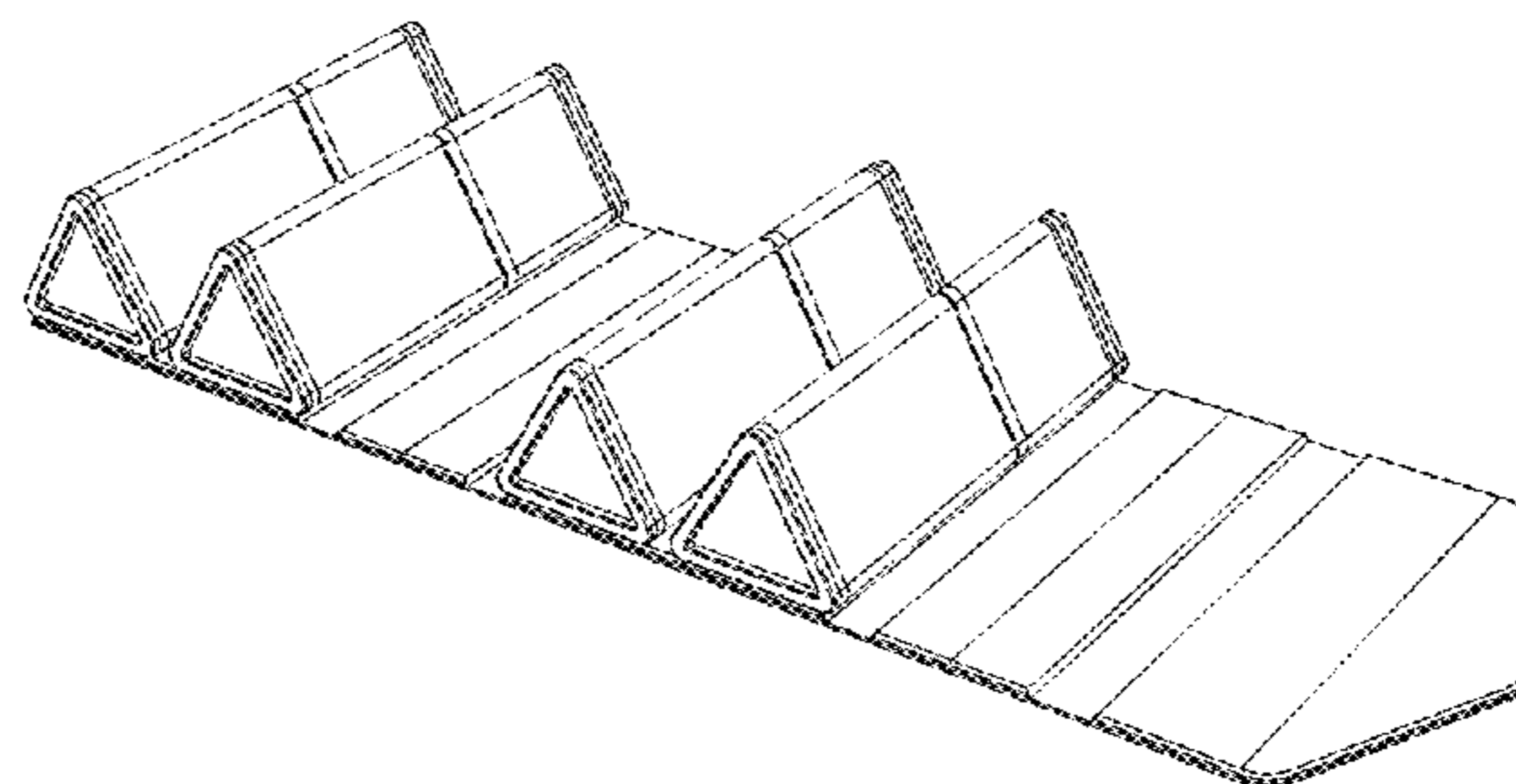
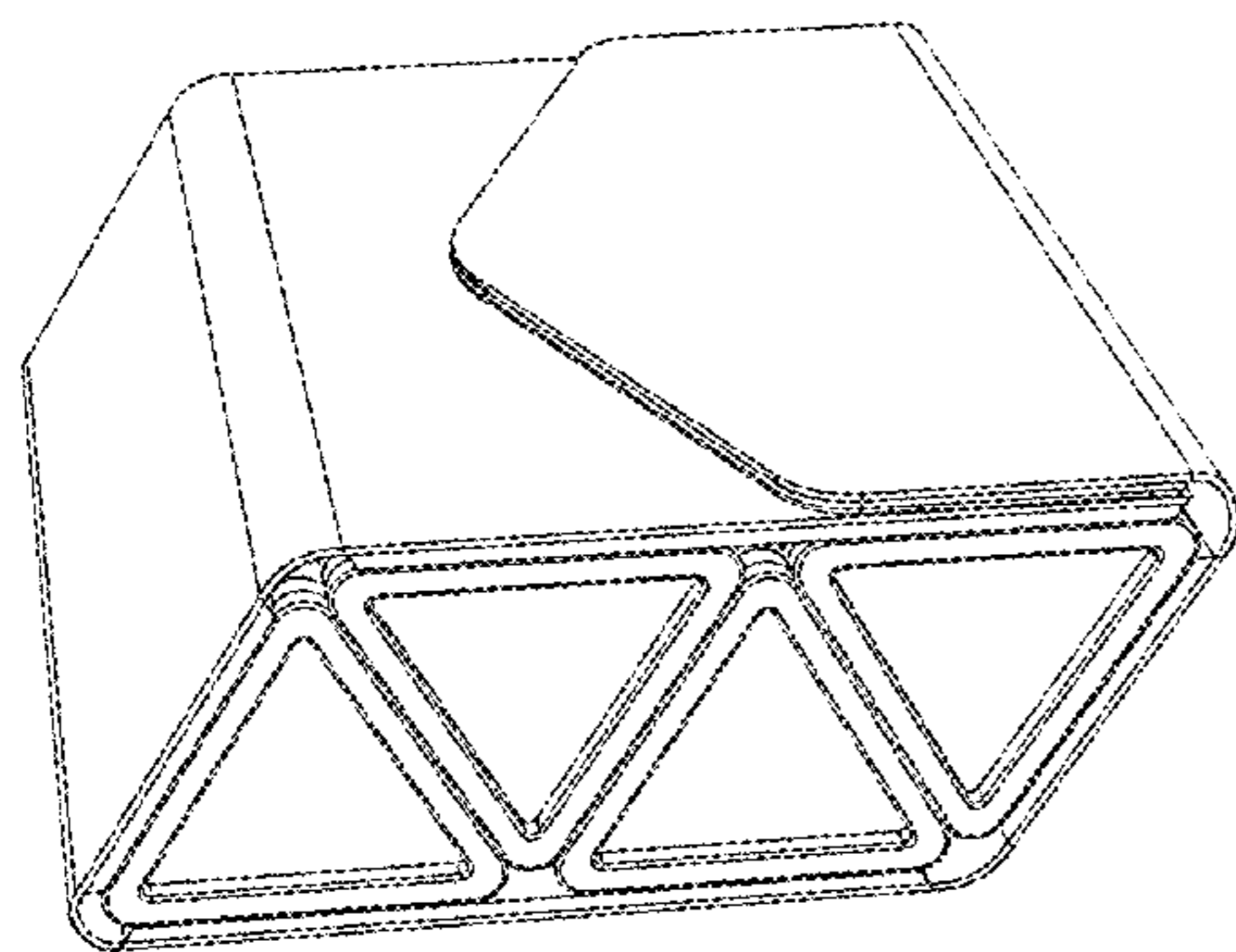
(57) **CLAIM**

I claim the ornamental design for a personal storage system, as shown and described.

DESCRIPTION

FIG. 1 is a perspective view of the personal storage system showing our new design.
 FIG. 2 is a top view thereof.
 FIG. 3 is a bottom view thereof.
 FIG. 4 is a side view thereof, the opposing side being a mirror image thereof.
 FIG. 5 is a front view thereof.
 FIG. 6 is a rear view thereof.
 FIG. 7 is a first perspective view thereof, shown in an open condition of use.
 FIG. 8 is a bottom perspective view thereof.
 FIG. 9 is a top view thereof.
 FIG. 10 is a bottom view thereof.
 FIG. 11 is a side view thereof, the opposing side being a mirror image thereof.
 FIG. 12 is a front view thereof; and,
 FIG. 13 is a rear view thereof.

1 Claim, 13 Drawing Sheets



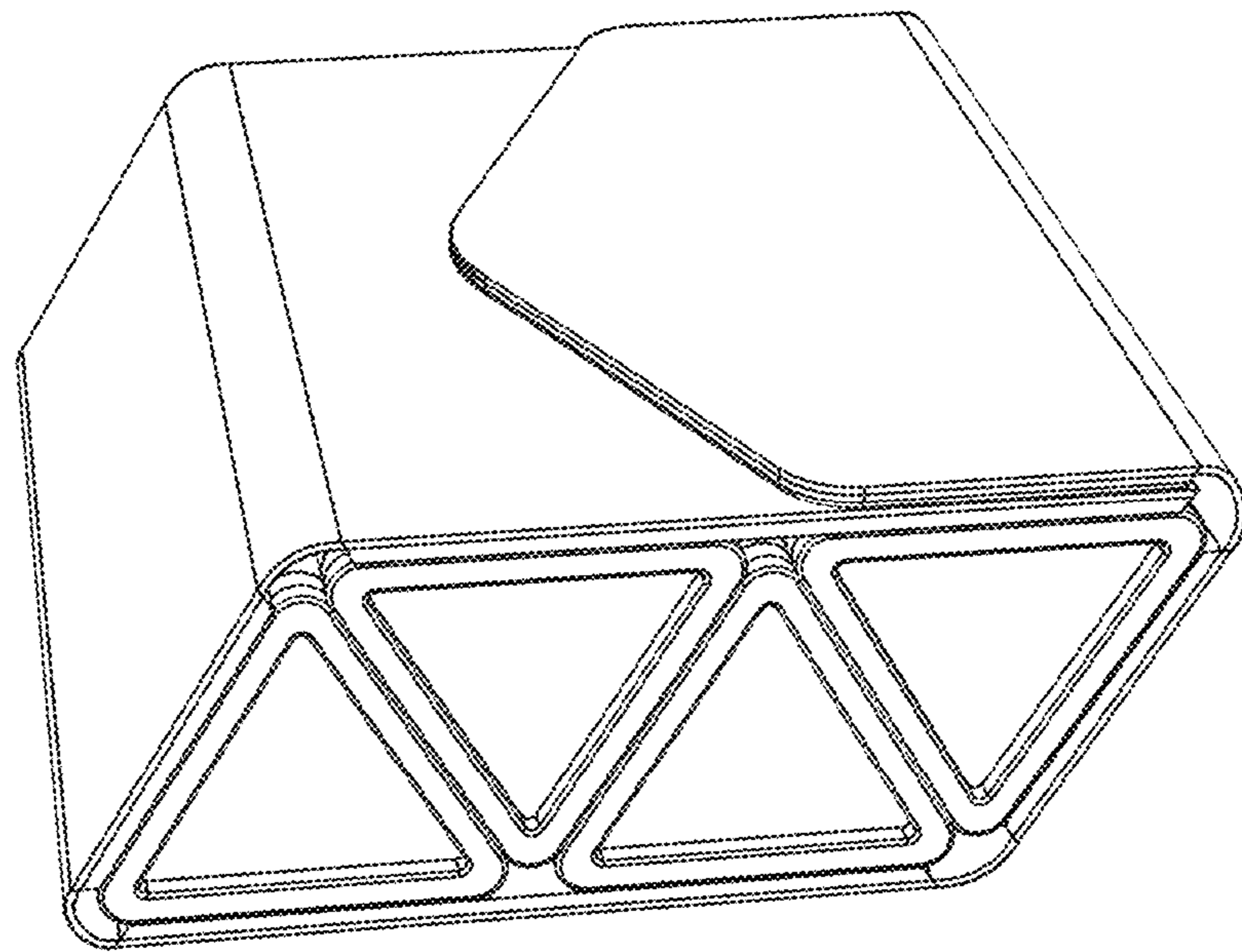


FIG. 1

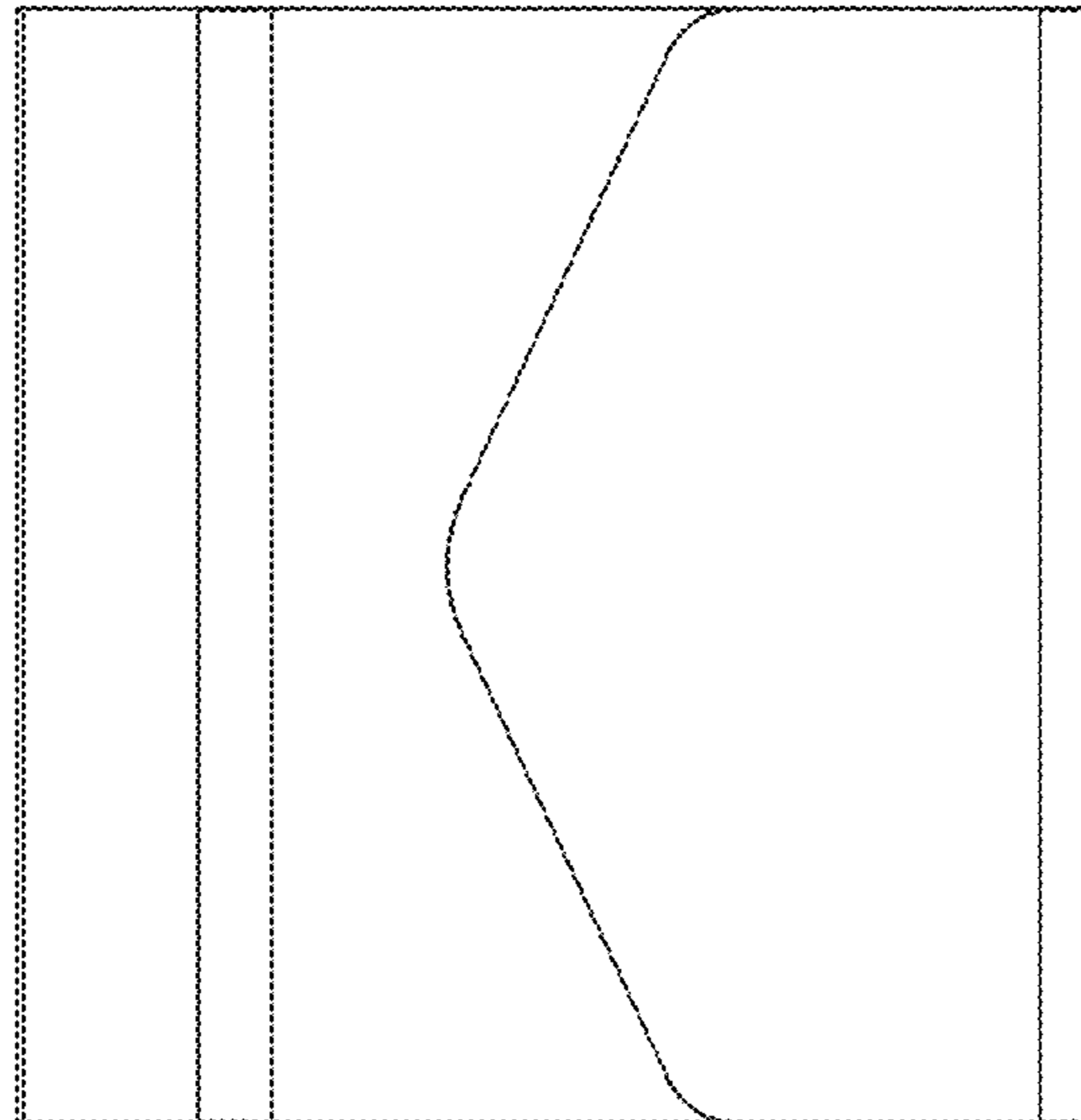


FIG. 2

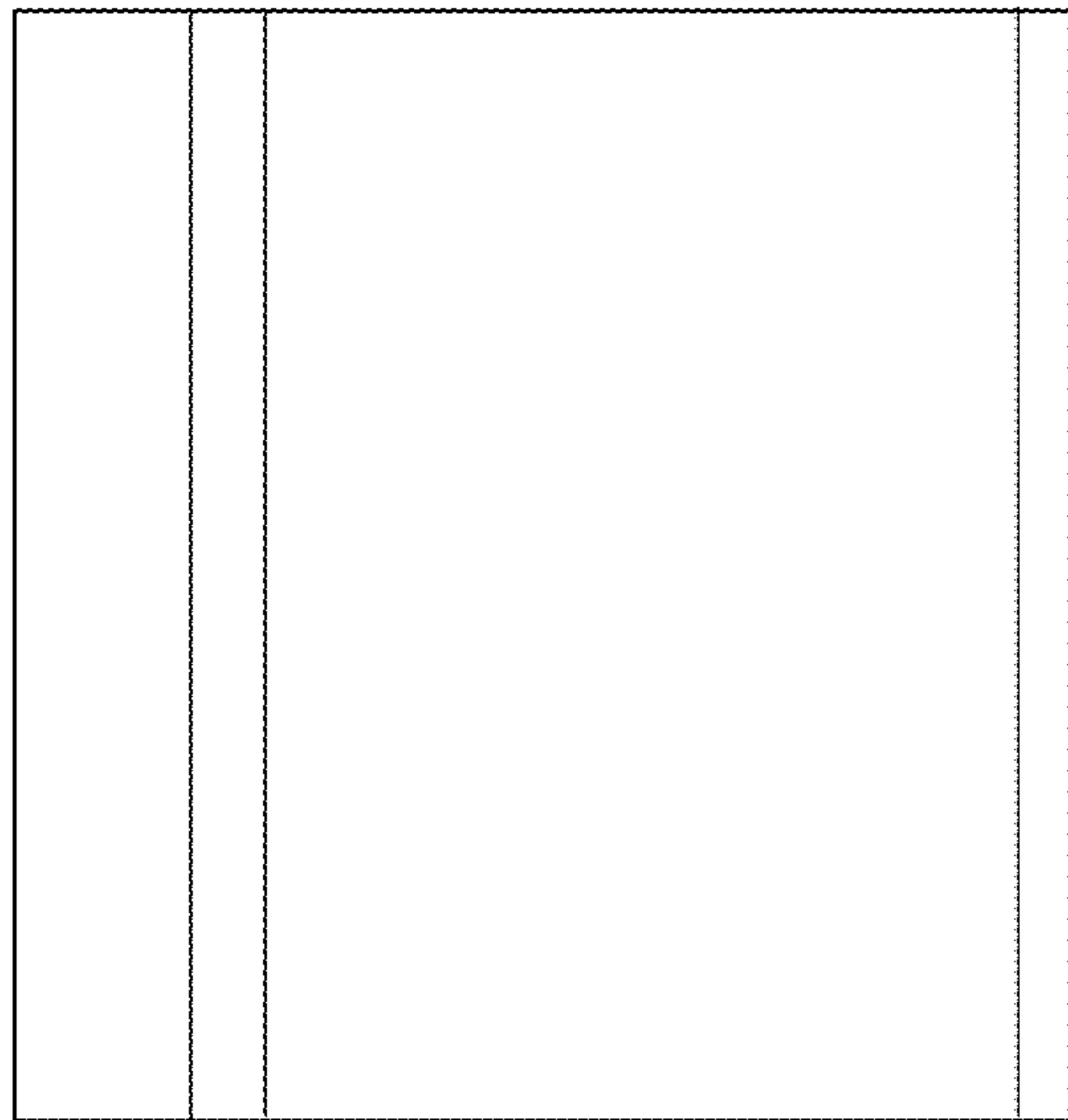


FIG. 3

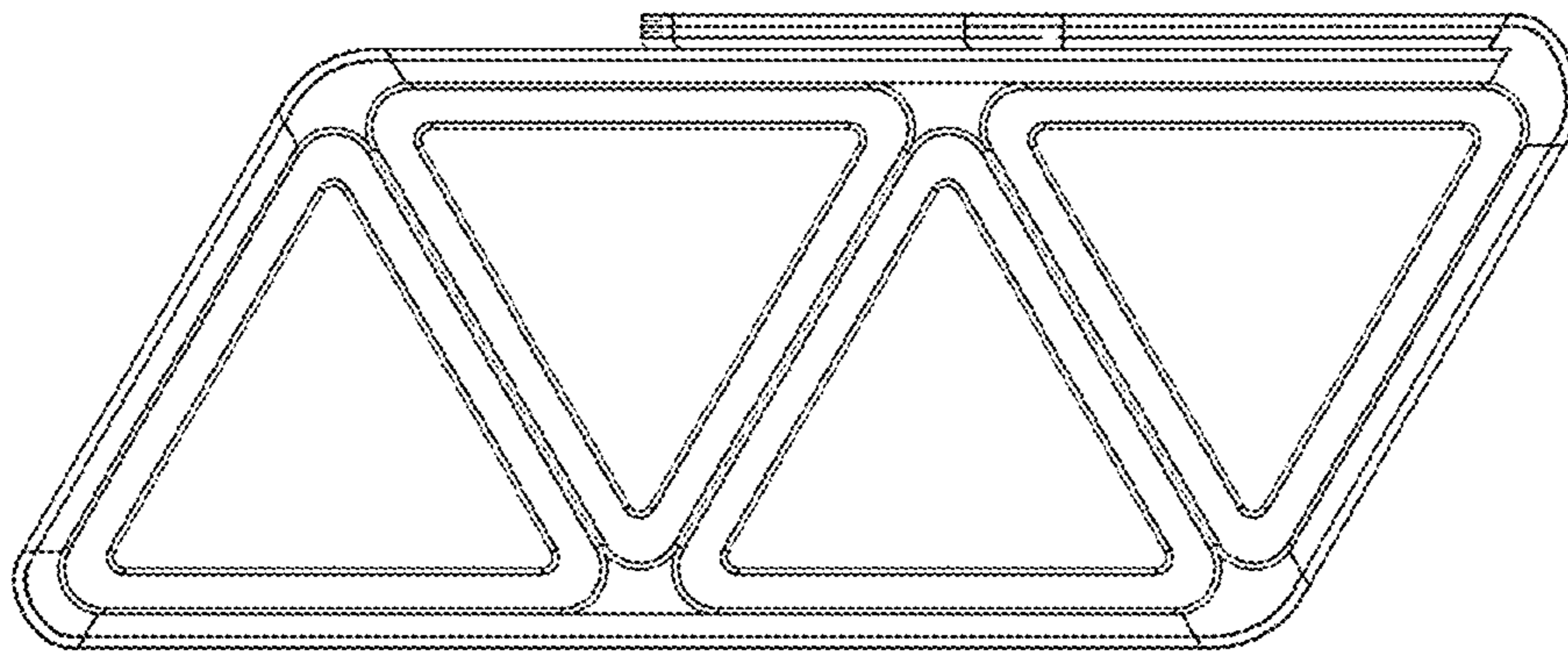


FIG. 4

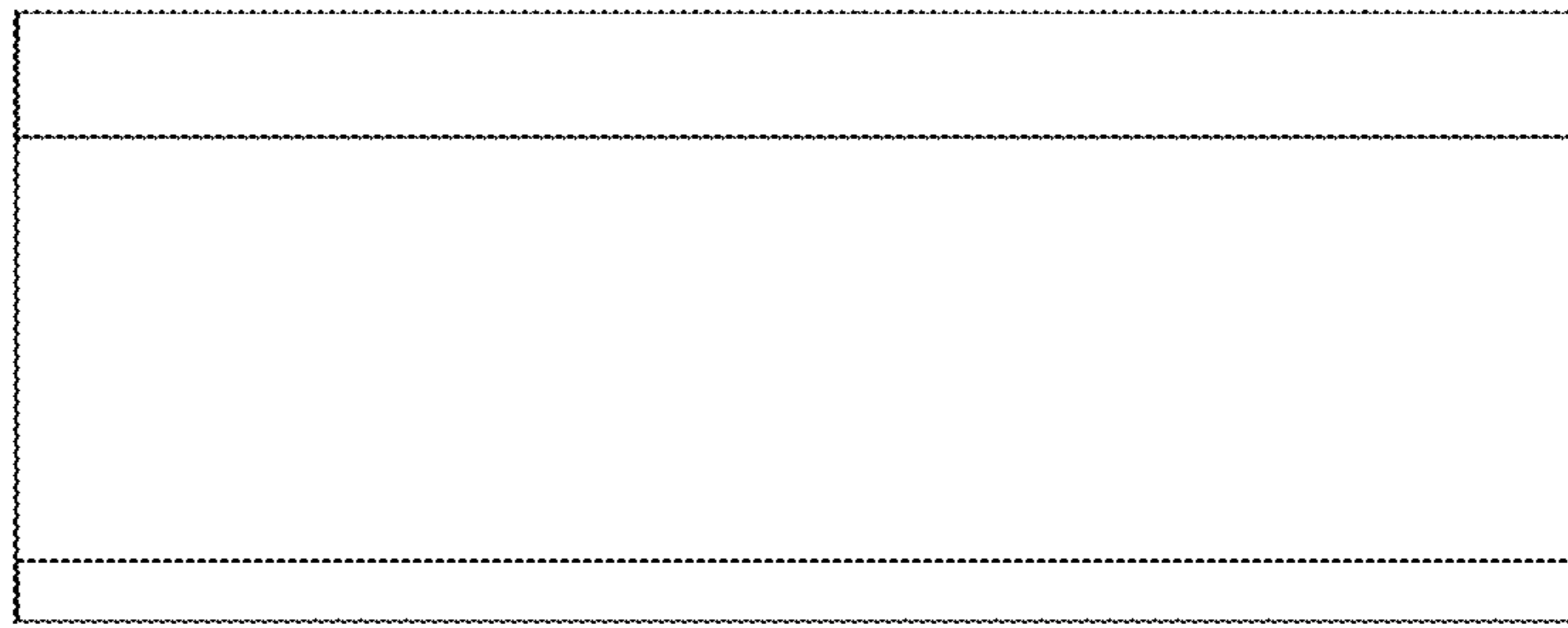


FIG. 5

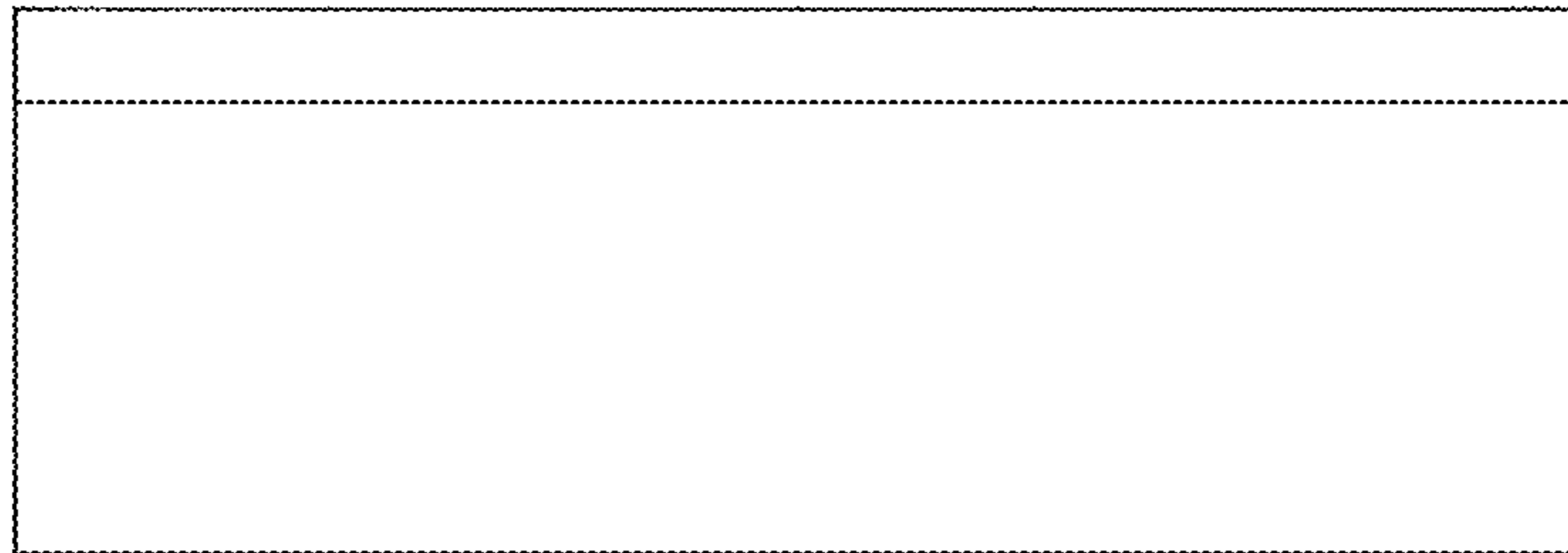


FIG. 6

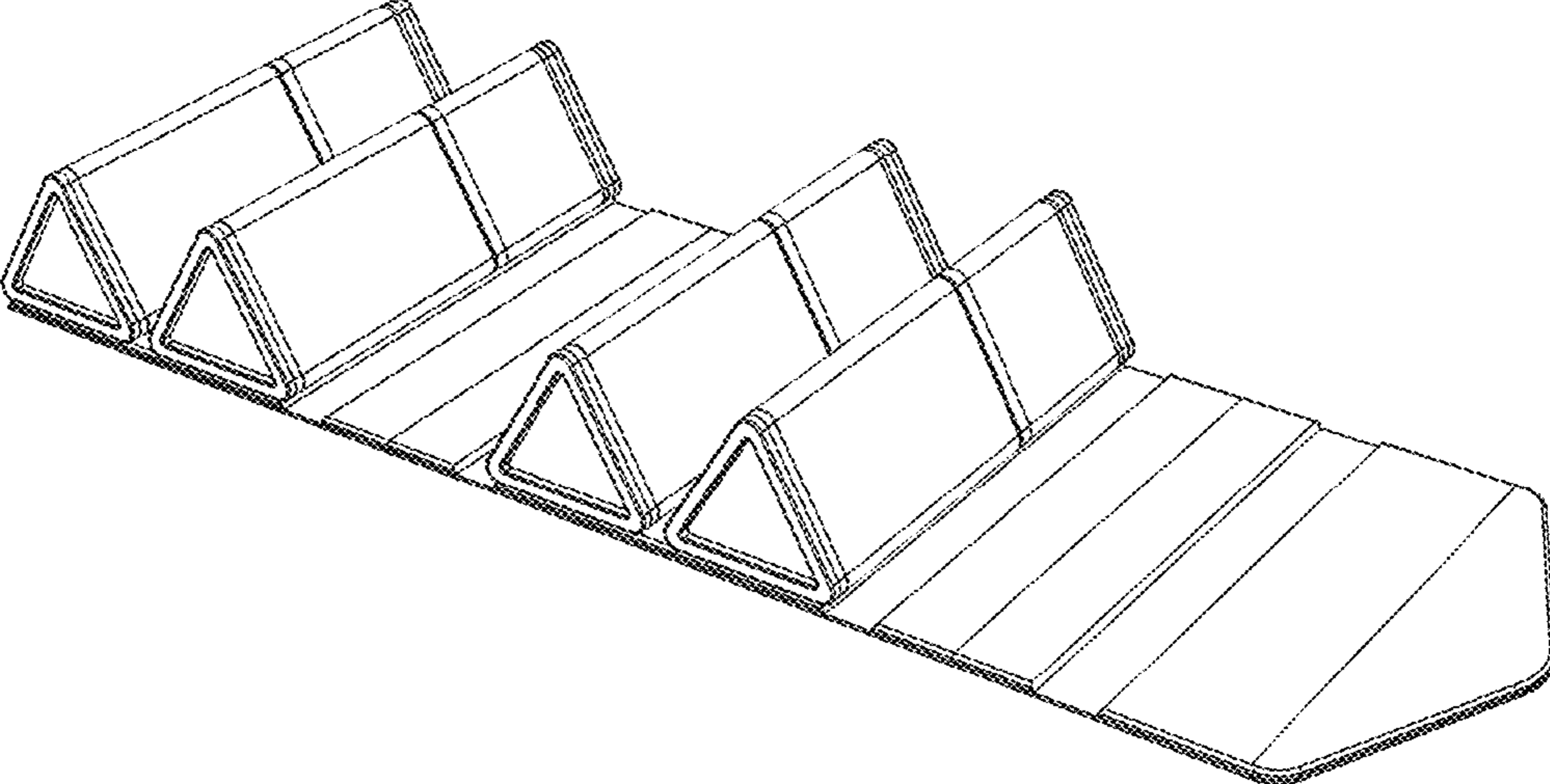


FIG. 7

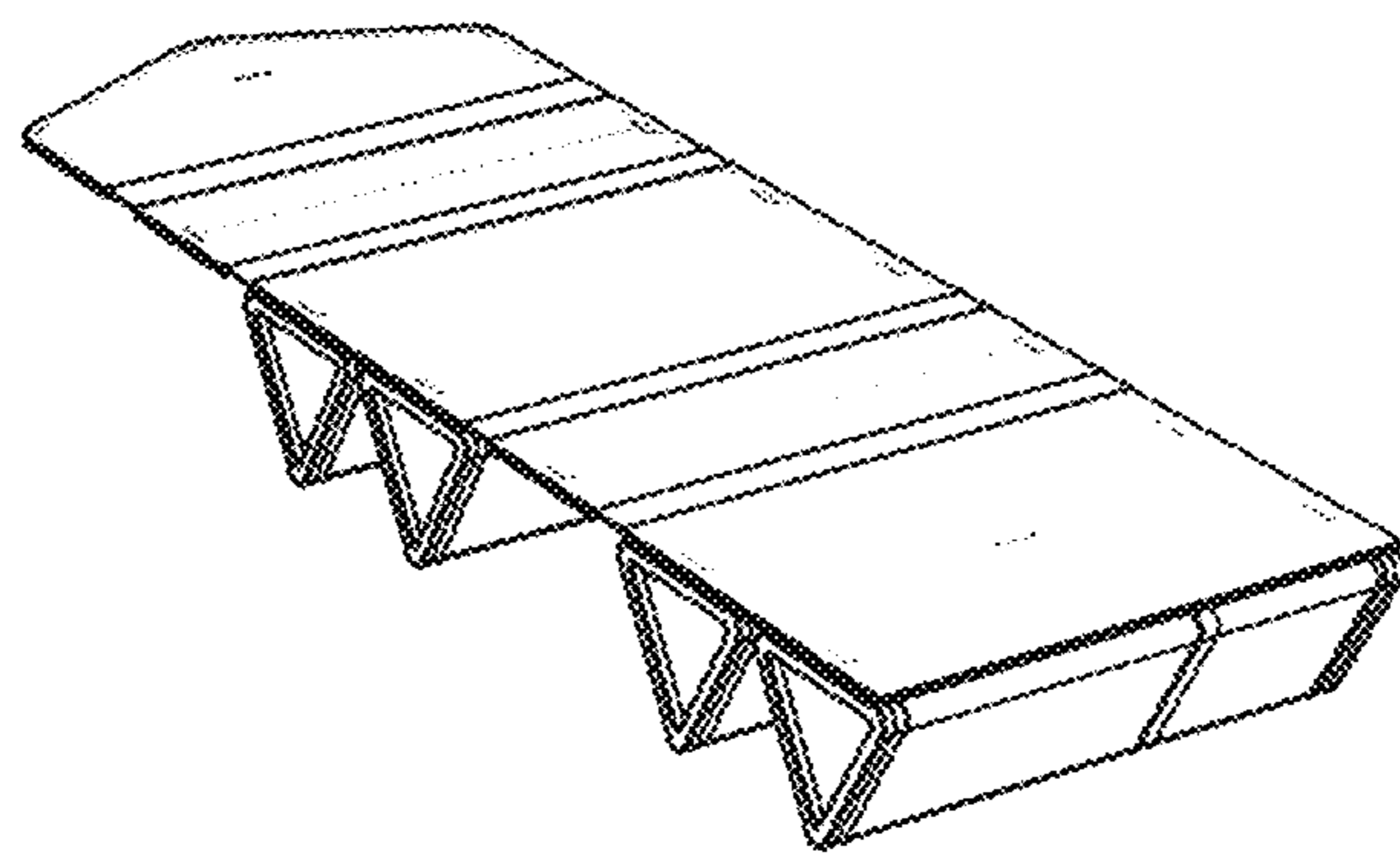


FIG. 8

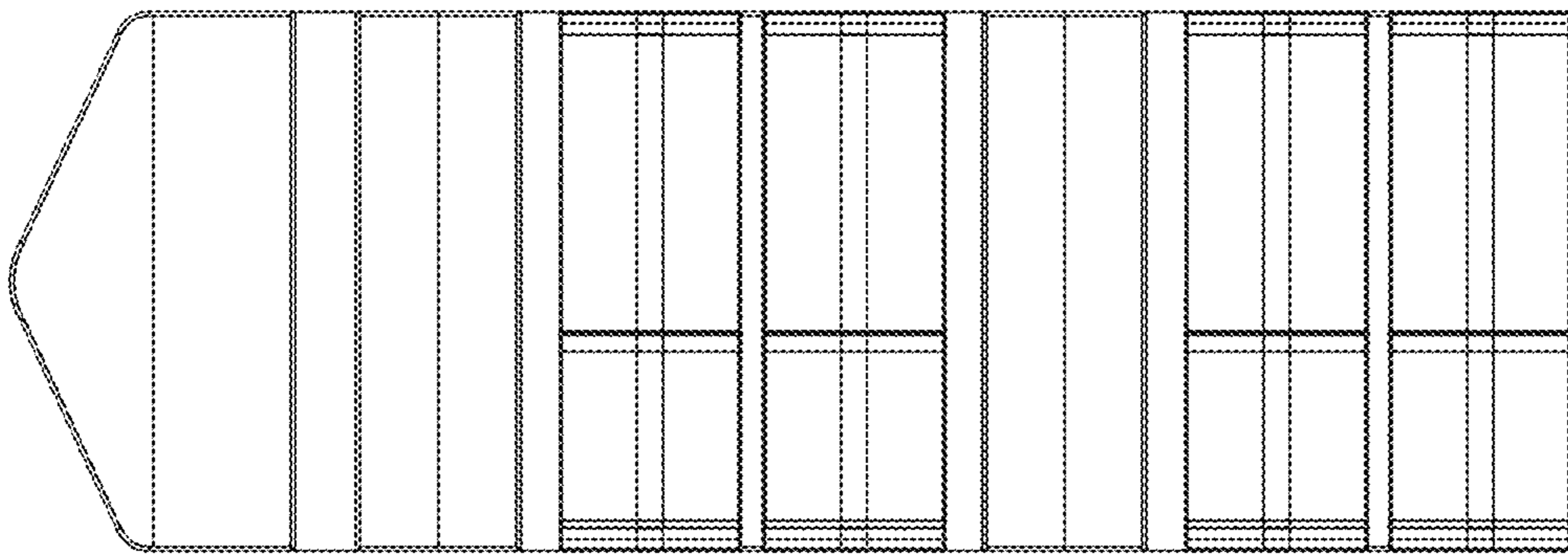


FIG. 9

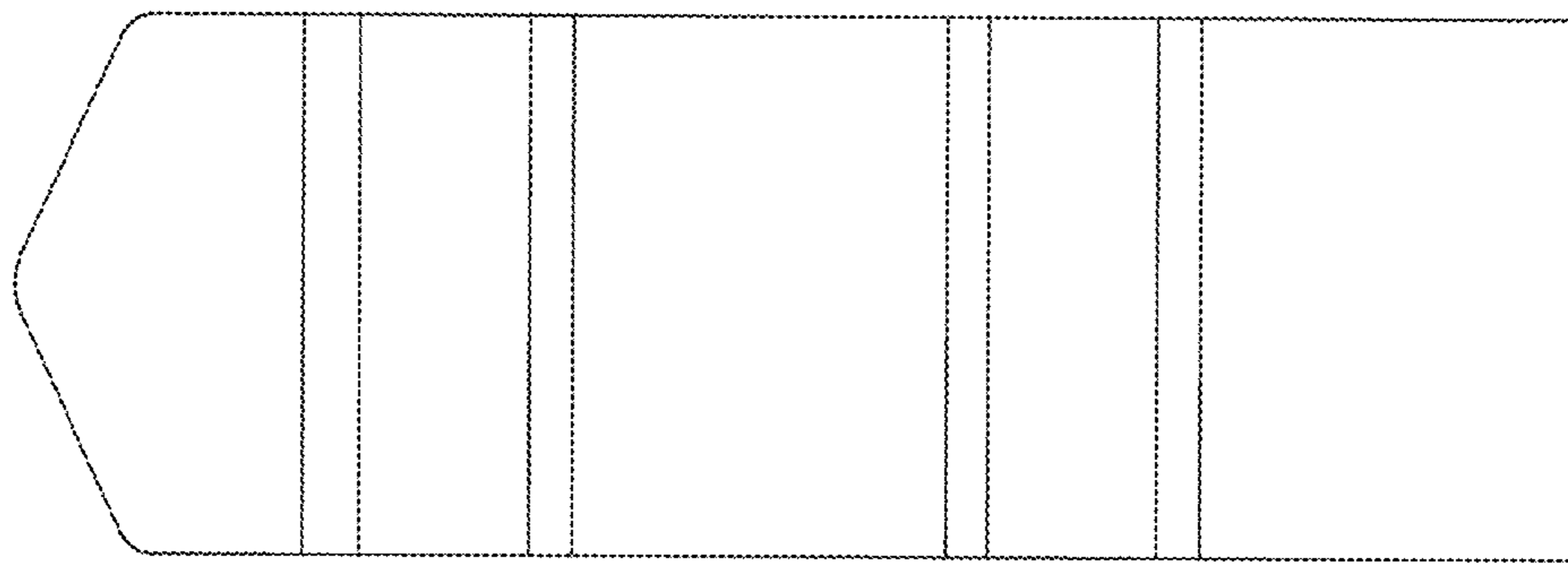


FIG. 10

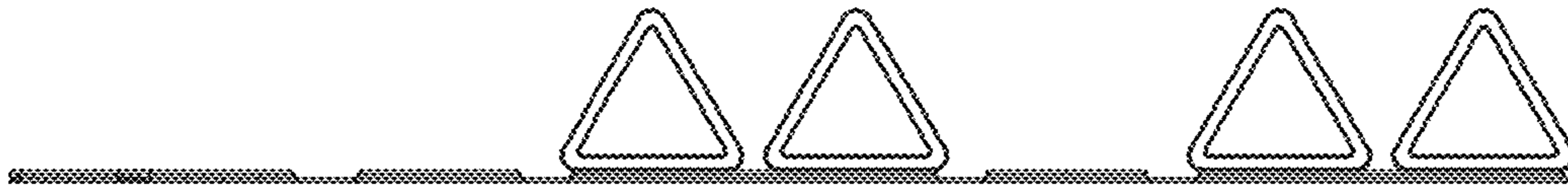


FIG. 11

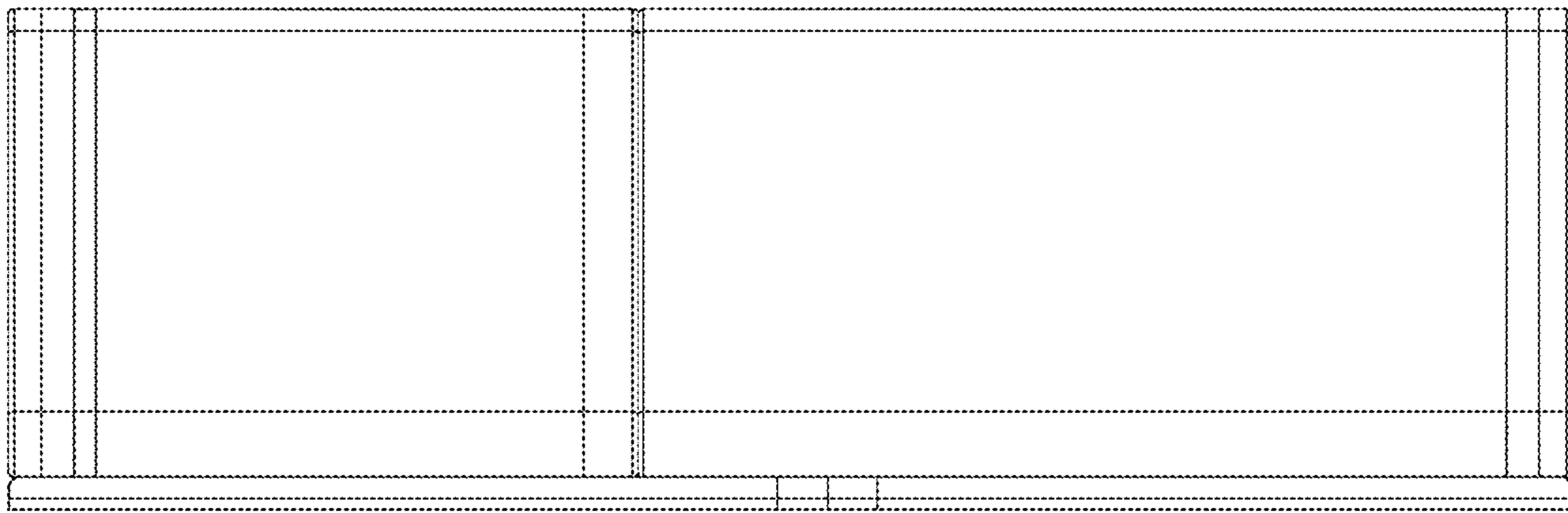


FIG. 12

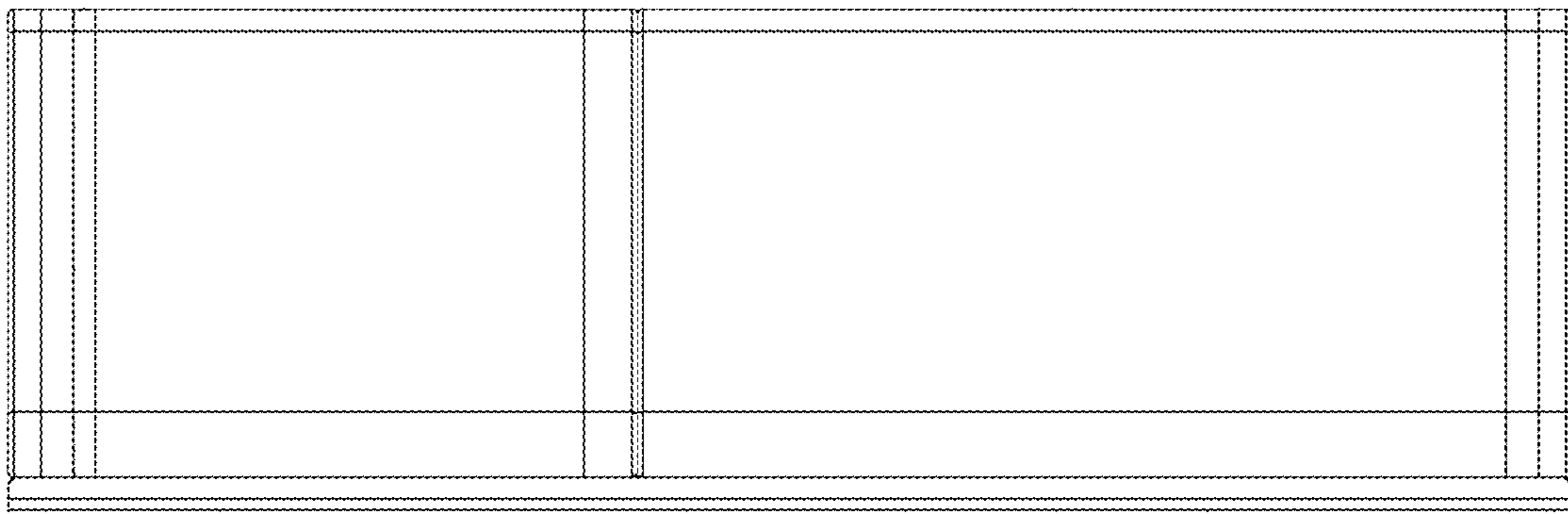


FIG. 13