

US00D862860S

(12) **United States Design Patent**
Sokol

(10) **Patent No.:** **US D862,860 S**

(45) **Date of Patent:** **** Oct. 15, 2019**

- (54) **SHOE**
- (71) Applicant: **NIKE, Inc.**, Beaverton, OR (US)
- (72) Inventor: **Matthew Sokol**, Portland, OR (US)
- (73) Assignee: **NIKE, Inc.**, Beaverton, OR (US)
- (**) Term: **15 Years**
- (21) Appl. No.: **29/680,487**
- (22) Filed: **Feb. 15, 2019**
- (51) **LOC (12) Cl.** **02-04**
- (52) **U.S. Cl.**
USPC **D2/960; D2/951; D2/957**
- (58) **Field of Classification Search**
USPC D2/902, 906, 908, 916, 918, 925,
D2/946-962, 977; 36/3 B, 22 R, 24.5,
36/25 R, 28, 32 R, 34 R, 59 C, 67 A, 103
CPC A43B 13/00; A43B 13/02; A43B 13/023;
A43B 13/026; A43B 13/04; A43B 13/08;
A43B 13/10; A43B 13/12; A43B 13/14;
A43B 13/141; A43B 13/143; A43B
13/16; A43B 13/18; A43B 13/181; A43B
13/187; A43B 13/189; A43B 13/20; A43B
13/22; A43B 13/223; A43B 13/24; A43B
13/28; A43B 13/30; A43B 13/32; A43B
13/34; A43B 13/36
See application file for complete search history.

- (56) **References Cited**
U.S. PATENT DOCUMENTS

D52,217 S 7/1918 Haynes
D76,541 S 10/1928 Hopwood
D88,881 S 1/1933 L'Hollier et al.
D123,898 S 12/1940 Tousley
D126,599 S 4/1941 Cox et al.
D287,184 S 12/1986 Sironi
D290,902 S * 7/1987 Kelley 36/32 R

- D292,541 S 11/1987 Kelley
- D293,620 S * 1/1988 Liggett D2/955
- D301,284 S 5/1989 Duclos et al.
- D308,286 S 6/1990 Austin
- D309,371 S 7/1990 Kayano
- 5,216,824 A * 6/1993 Blissett et al. A43B 13/143
36/25 R
- D472,699 S 4/2003 Schroeder et al.
- D478,412 S * 8/2003 Adams D2/956
- D594,197 S * 6/2009 Mayden D2/949
- D595,938 S * 7/2009 Fuchs D2/907
- D613,480 S 4/2010 Lamont
- D711,085 S 8/2014 da Costa Pereira Machado
- D751,797 S * 3/2016 Slimane A43C 1/06
D2/908
- D782,792 S 4/2017 Kinley
- D793,049 S 8/2017 James
(Continued)

OTHER PUBLICATIONS

Nike Footwear Catalog, 2001 Fall Footwear, p. 17, published Nov. 2000, NIKE, Inc., USA.
(Continued)

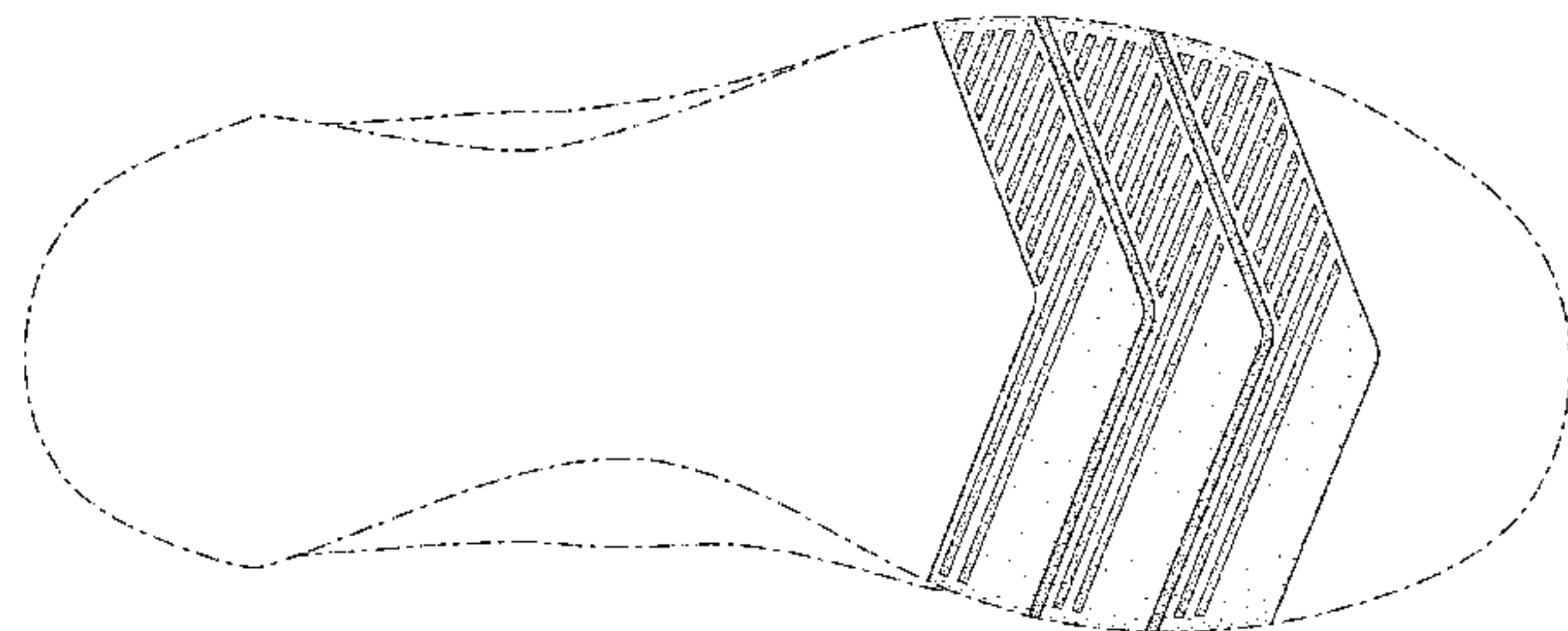
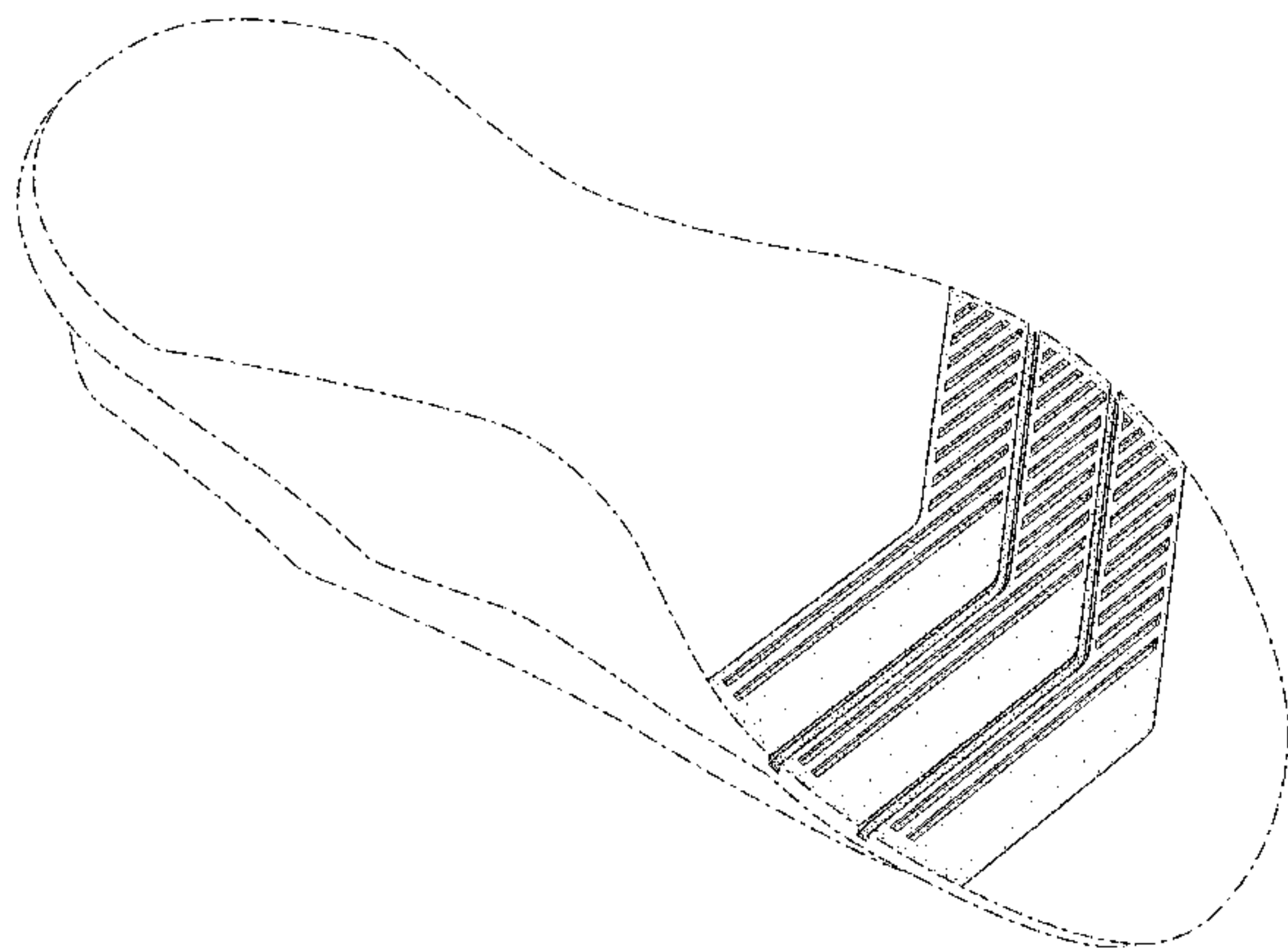
Primary Examiner — T Chase Nelson
(74) *Attorney, Agent, or Firm* — Banner & Witcoff, Ltd.

(57) **CLAIM**
The ornamental design for a shoe, as shown and described.

DESCRIPTION

FIG. 1 is a front bottom perspective view of a shoe showing my new design;
FIG. 2 is a bottom view thereof; and,
FIG. 3 is a second front bottom perspective view thereof.
The broken lines immediately adjacent to the shaded area define the bounds of the claimed design and form no part thereof. The broken lines depicting the remainder of the shoe show features that form no part of the claimed design.

1 Claim, 3 Drawing Sheets



(56)

References Cited

U.S. PATENT DOCUMENTS

D794,930 S 8/2017 Chang
 D811,066 S 2/2018 Young
 D813,509 S 3/2018 O'Connor
 D836,316 S * 12/2018 Petrie D2/972
 D840,138 S 2/2019 Brown et al.
 D840,143 S 2/2019 Belhacene et al.
 D848,722 S * 5/2019 Ruark A43B 5/10
 D2/960
 D851,376 S * 6/2019 De Montgolfier ... A43B 13/143
 D2/960
 D852,484 S * 7/2019 Neumann D2/960
 2005/0257402 A1 * 11/2005 Kobayashi A43B 5/10
 36/59 R
 2011/0094125 A1 * 4/2011 Weightman A43B 3/0068
 36/102
 2013/0118031 A1 * 5/2013 Chenciner A43C 1/06
 36/88
 2016/0219974 A1 * 8/2016 Izquieta Anaut B29D 35/122

OTHER PUBLICATIONS

“Nike LunarMX+—Sport Red—Black—Anthracite”; Sneaker News; retrieved May 16, 2019; published Nov. 2, 2010; URL:<https://

sneakernews.com/2010/11/02/nike-lunarmx-sport-red-black-anthracite/>.

“Release Date: Nike Metcon 2 Amp”; Kicks on Fire; retrieved Feb. 8, 2019; published Jul. 13, 2016; URL: <https://www.kicksonfire.com/nike-metcon-2-amp-volt-blue-glow-release-date/>.

“Nike Introduces Metcon 3, Now With Flyknit, for All Your Training Needs”; Sneaker News; retrieved Feb. 8, 2019; published Dec. 13, 2016; URL: <https://sneakernews.com/2016/12/13/nike-metcon-3-flyknit-unveiled/>.

“Take a Look at the All-New Nike Metcon Repper DSX”; Kicks on Fire; retrieved Feb. 8, 2019; published Feb. 26, 2017; URL: <https://www.kicksonfire.com/take-a-look-at-the-all-new-nike-metcon-repper-dsx/>.

“Nike Officially Introduces the Nike Metcon 4 + Release Date”; Kicks on Fire; retrieved Feb. 8, 2019; published Dec. 11, 2017; URL: <https://www.kicksonfire.com/nike-metcon-4-officially-introduced/>.

“First Look at Russell Westbrook’s Jordan Fly Next Signature Shoe”; Sneaker Bar Detroit; retrieved May 16, 2019; published Dec. 27, 2017; URL: <https://sneakerbardetroit.com/russell-westbrook-jordan-fly-next-signature-shoe/>.

“Nike Metcon 1”; Kicks on Fire; retrieved Feb. 8, 2019; Disclosure date unknown but prior to the filing date of the present application; URL: <https://www.kicksonfire.com/app/nike-metcon-1/>.

“Nike Metcon 3 Shoes Review”; Garage Gym Built ; retrieved May 29, 2019; published May 6, 2019; URL: <https://www.garagegymreviews.com/nike-metcon-3-shoes-review/>.

* cited by examiner

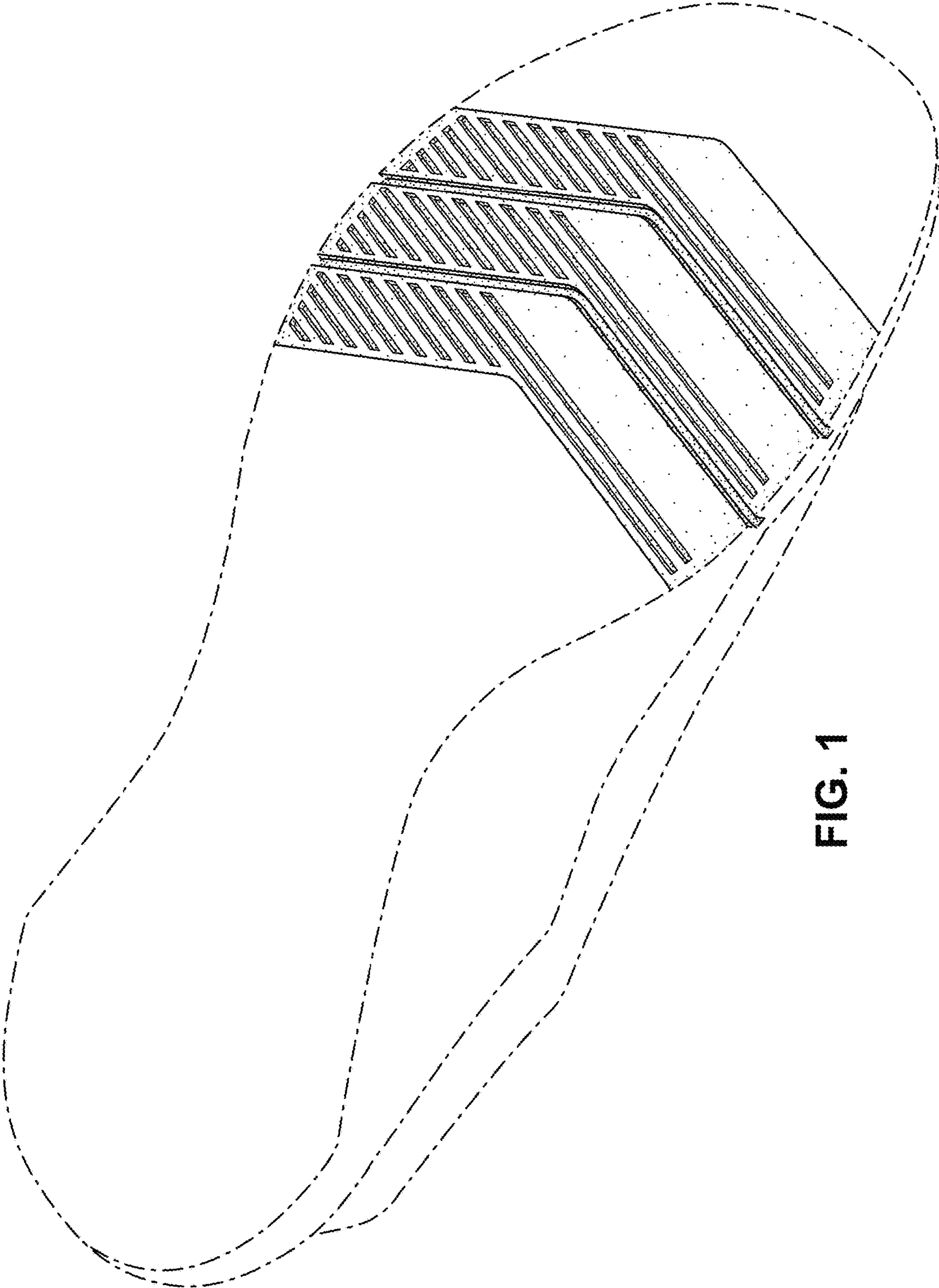


FIG. 1

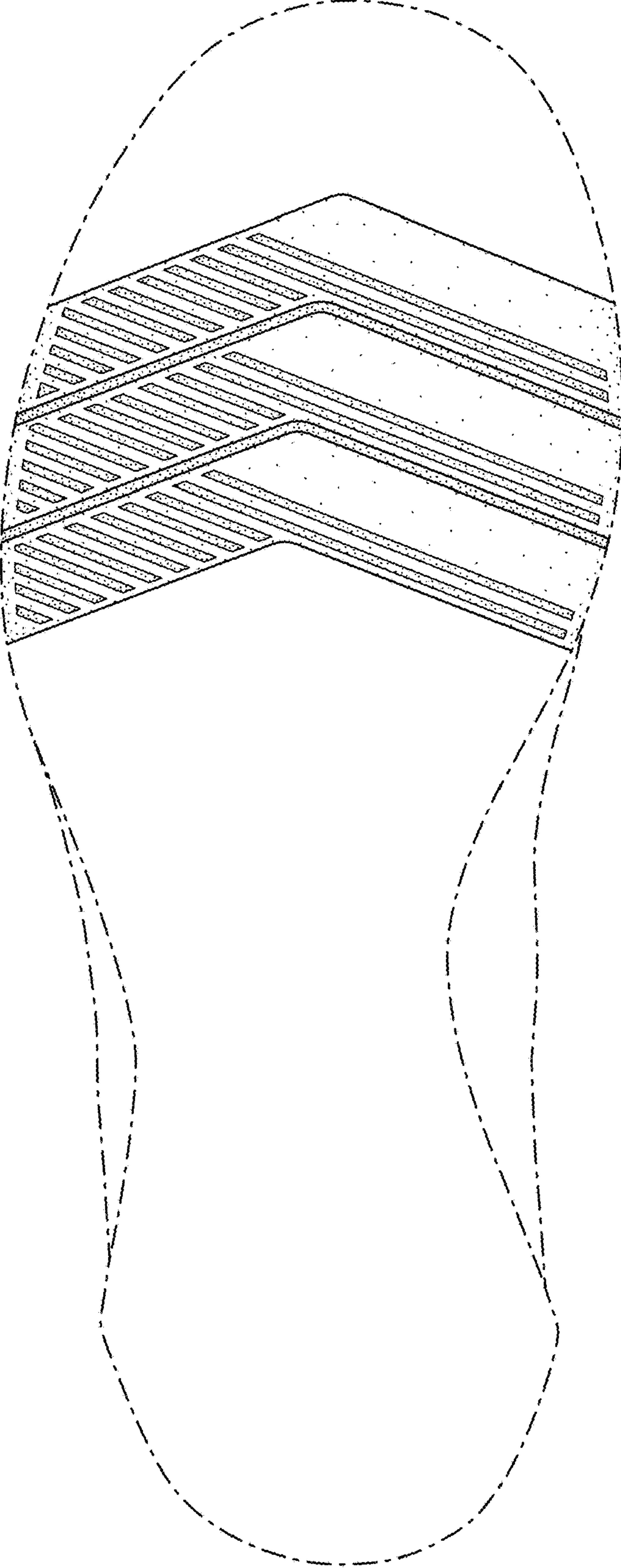


FIG. 2

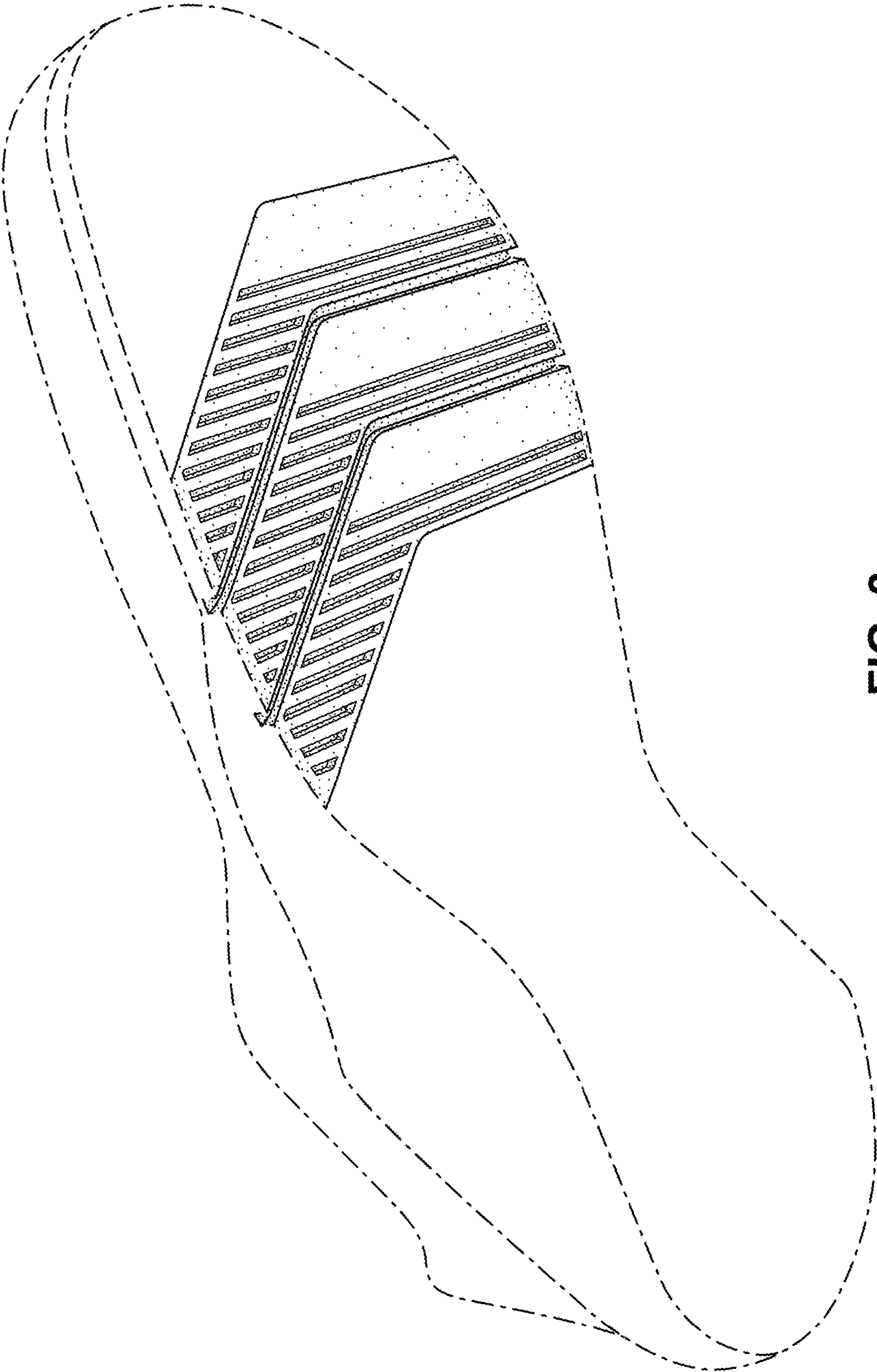


FIG. 3